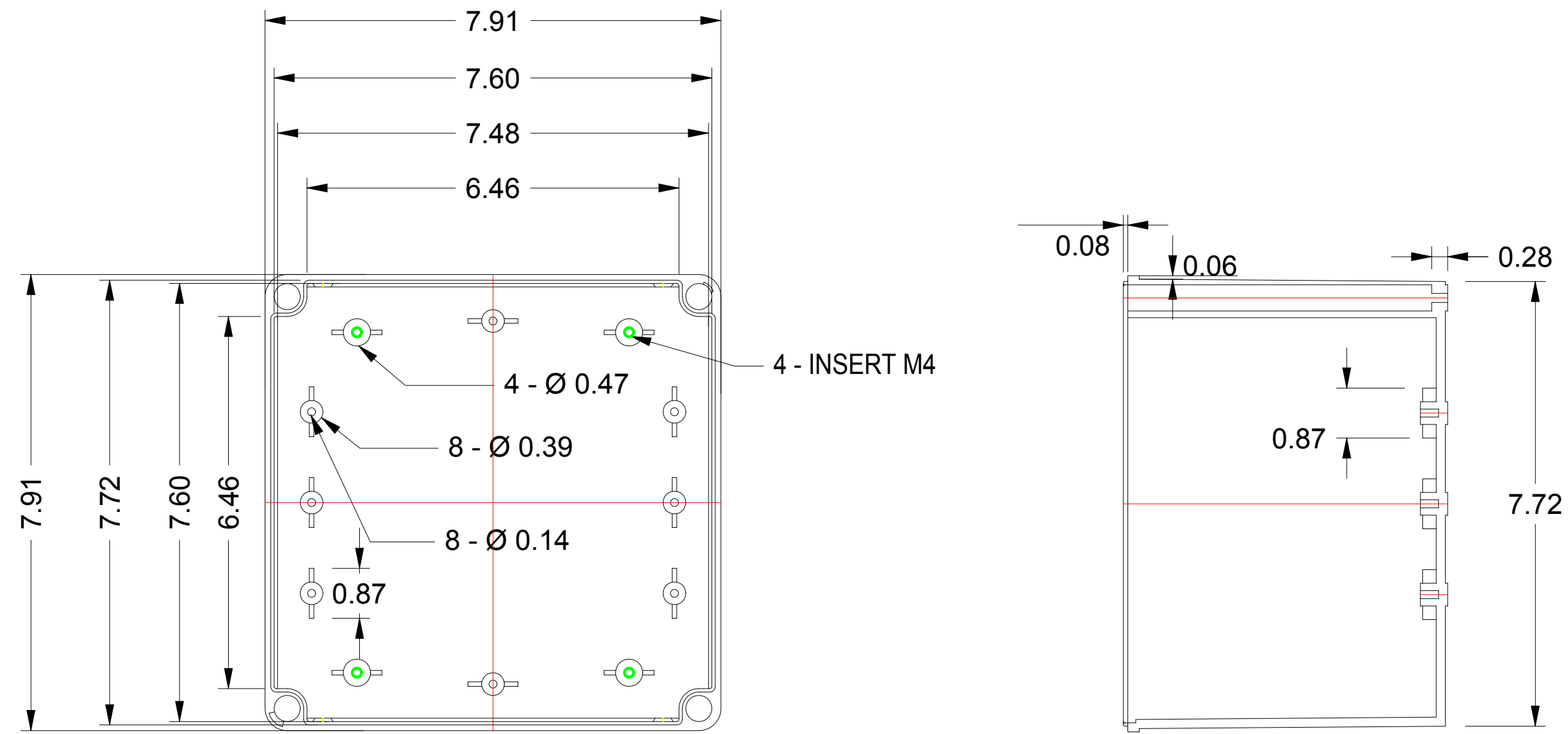
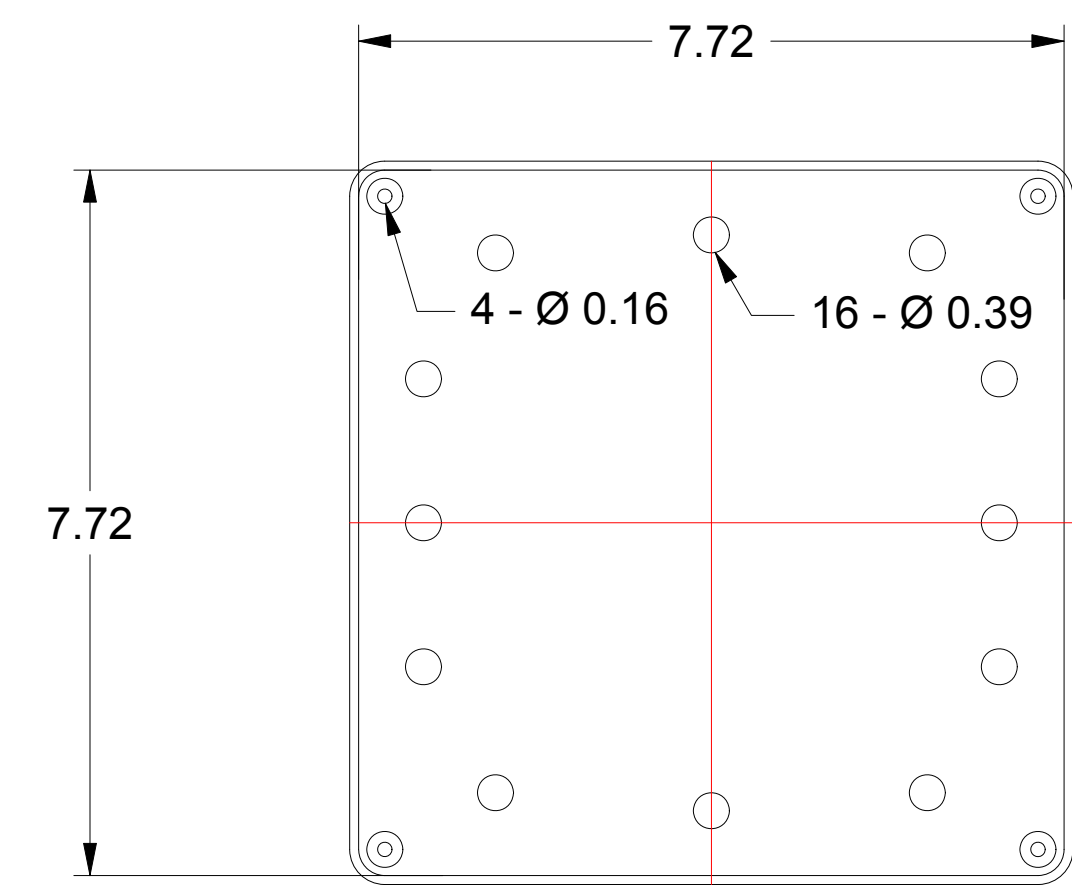
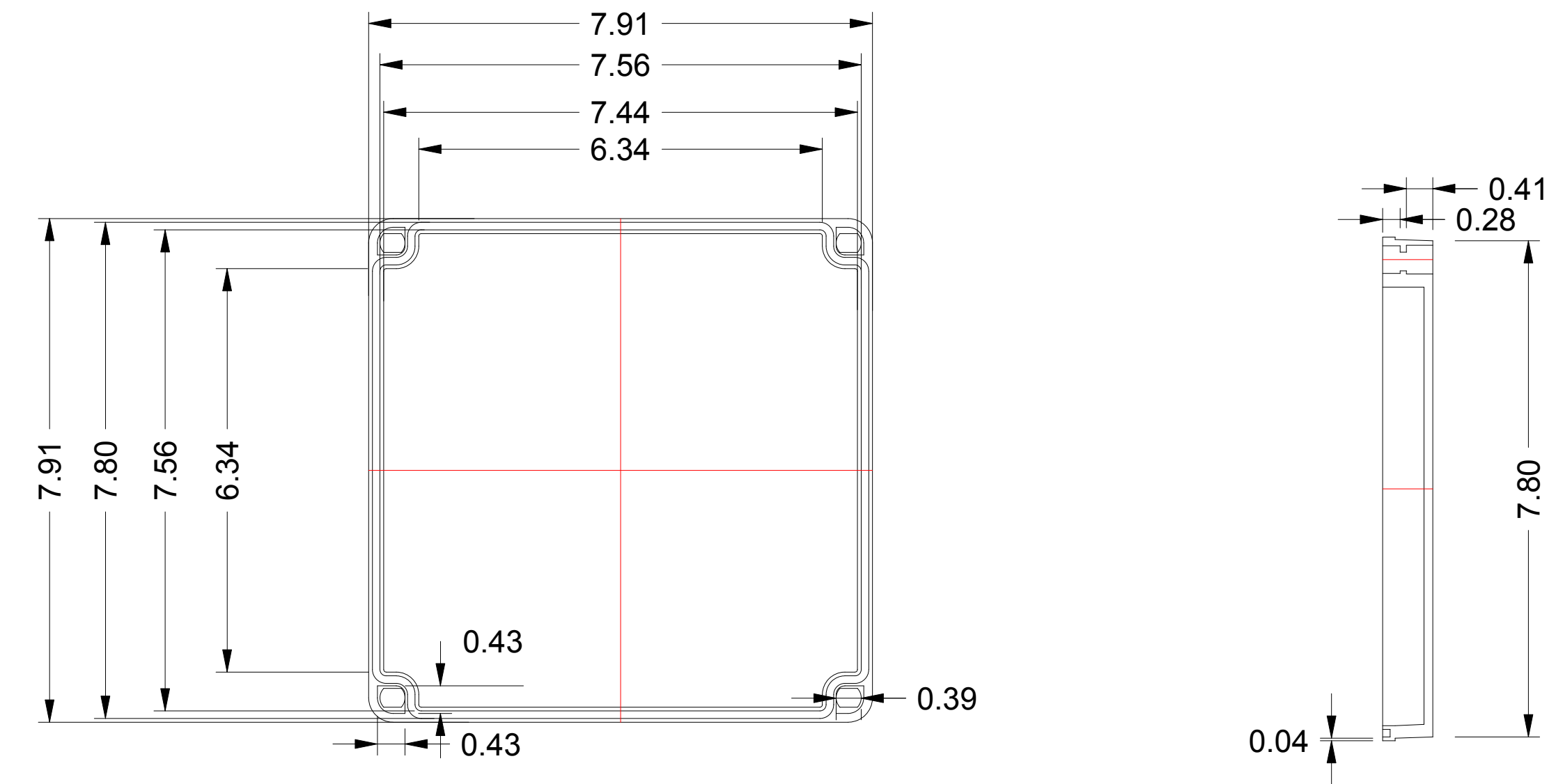


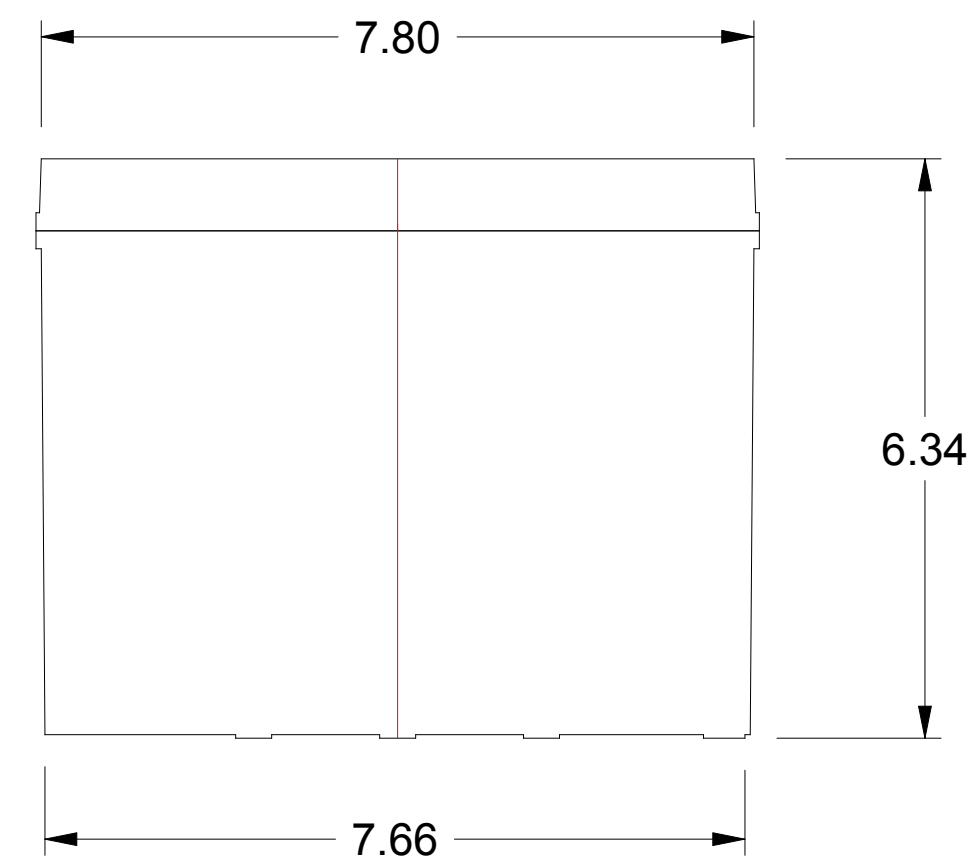
BODY



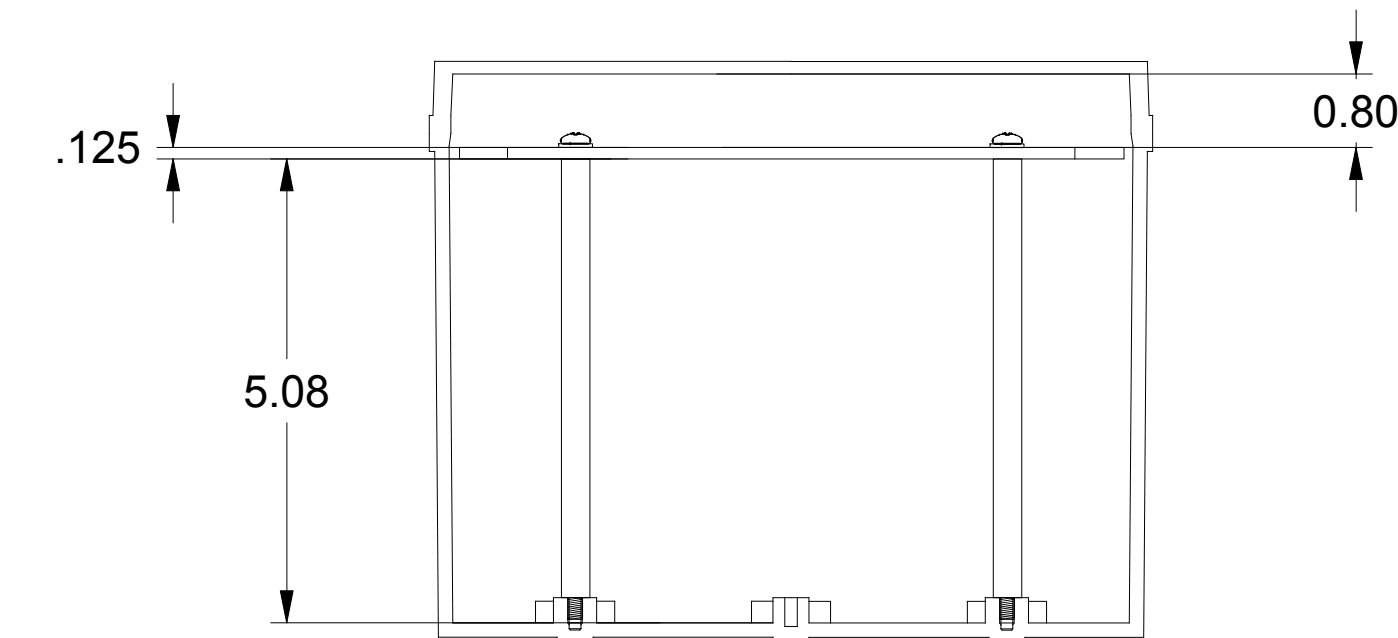
COVER



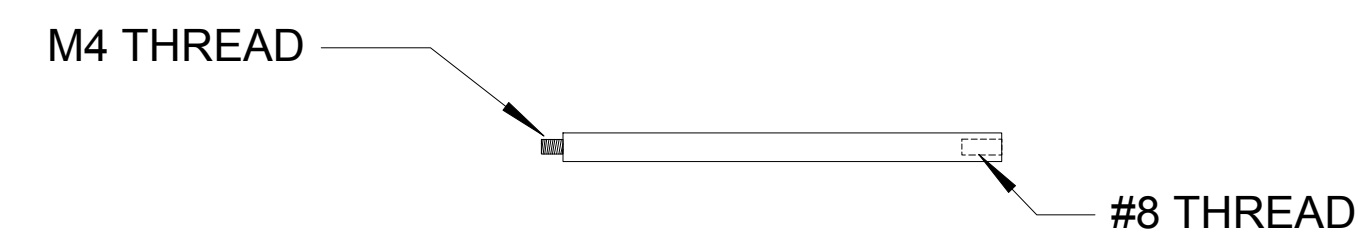
BOTTOM VIEW



ASSEMBLED SIDE VIEW



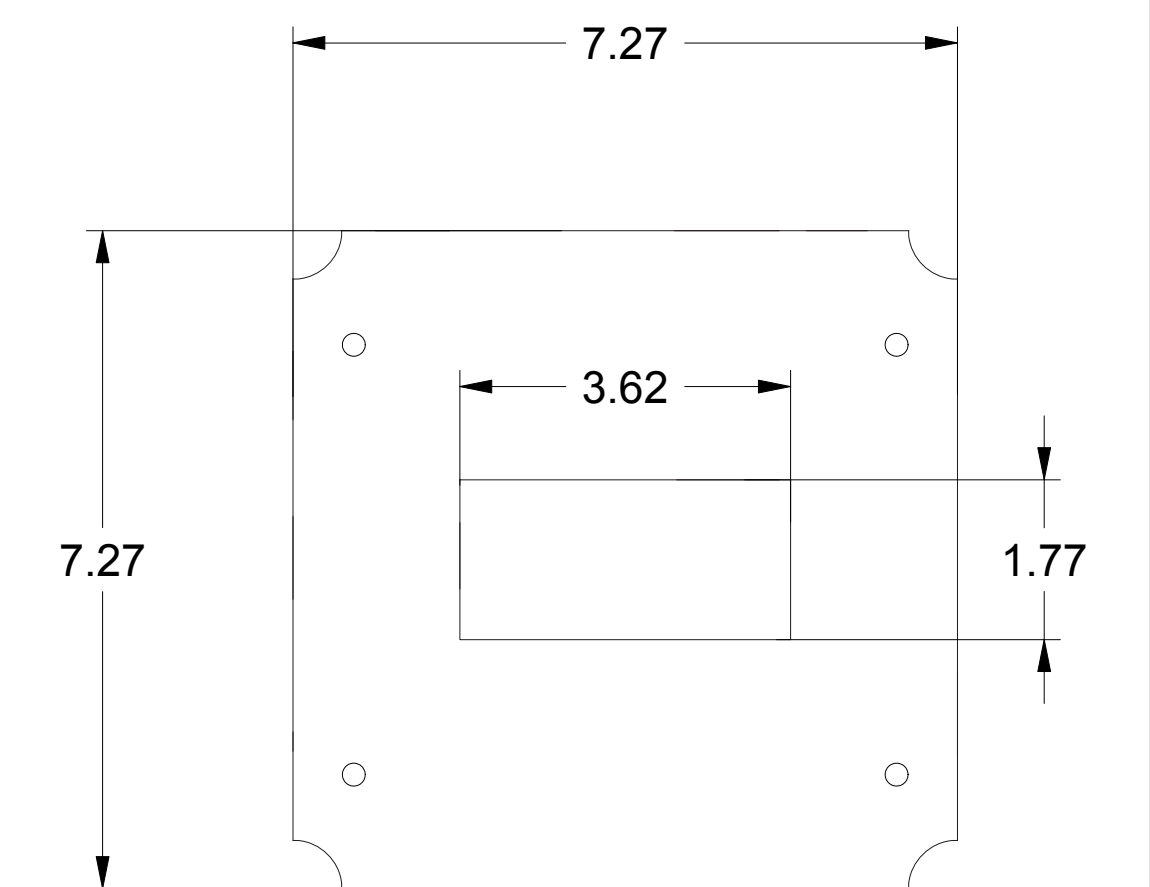
CUT-AWAY SIDE VIEW



STAND-OFF



HARDWARE



MOUNTING PLATE

NOTES: ALL DIMENSIONS SHOWN ARE IN INCHES.

FLOWLINE INC.

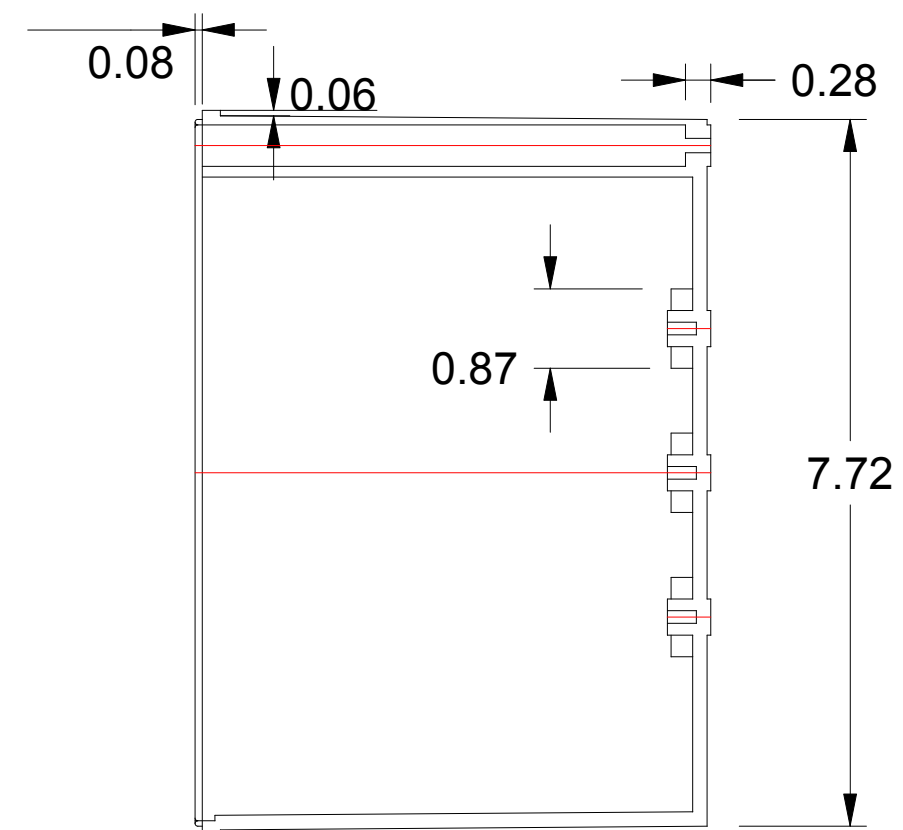
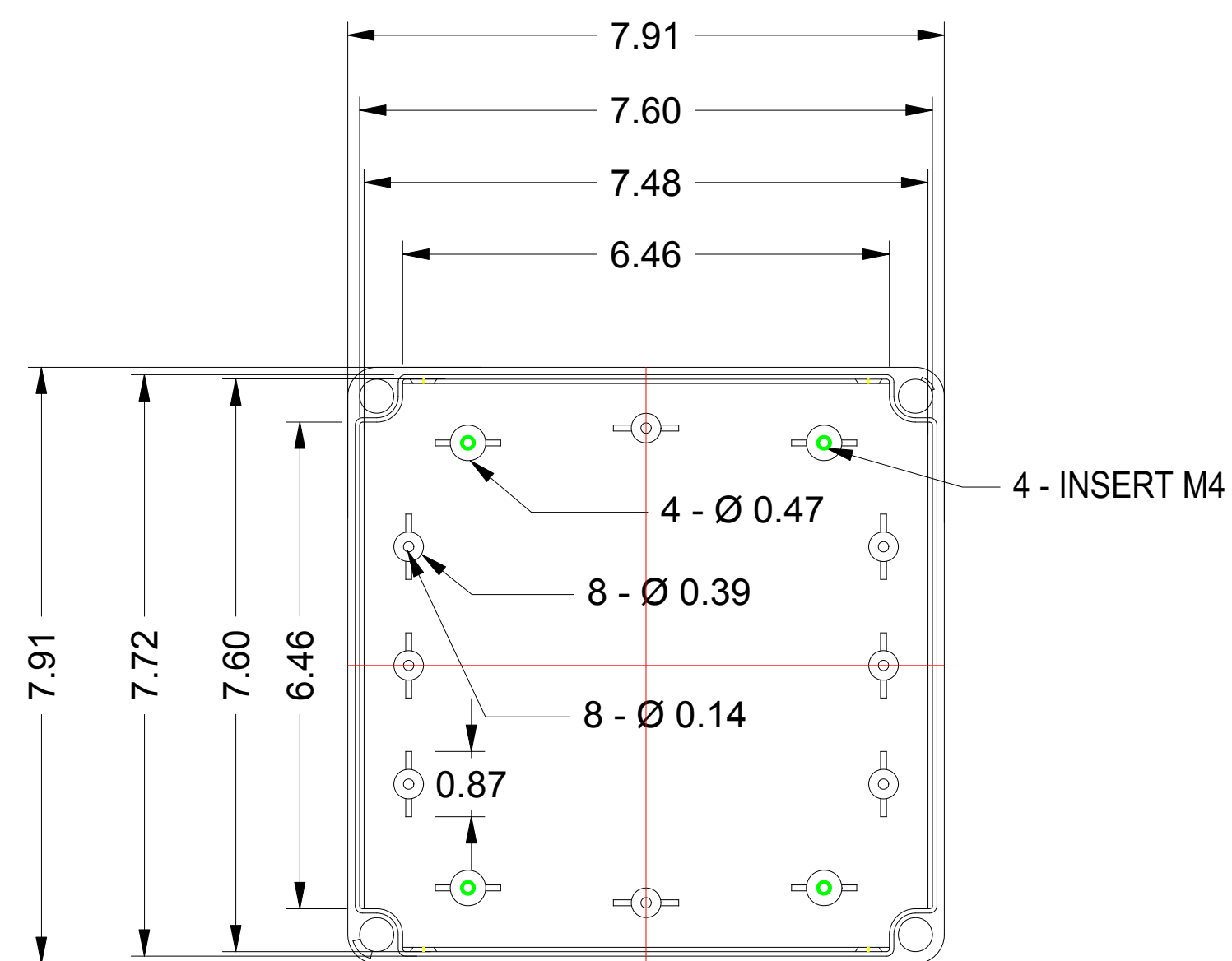
LOS ALAMITOS, CA 90720

**LM92-1002 ENCLOSURE
DRAWING FILE
301681 REV A**

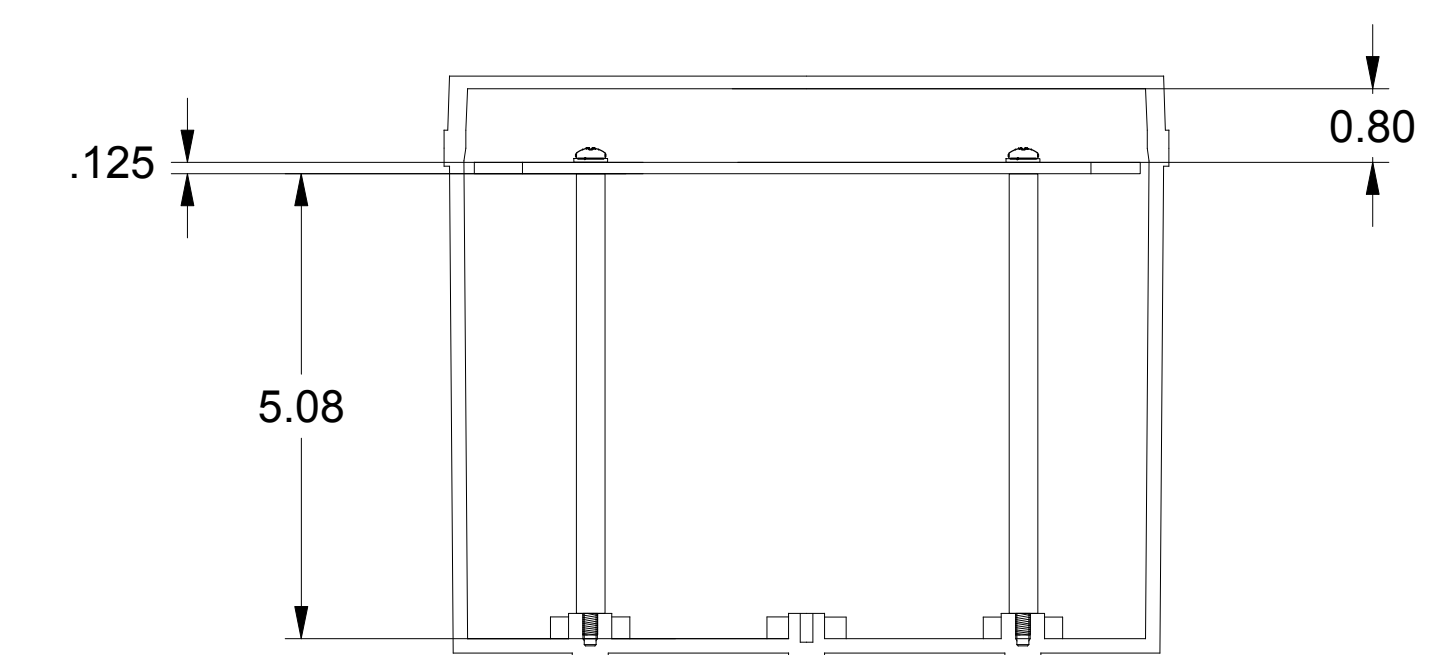
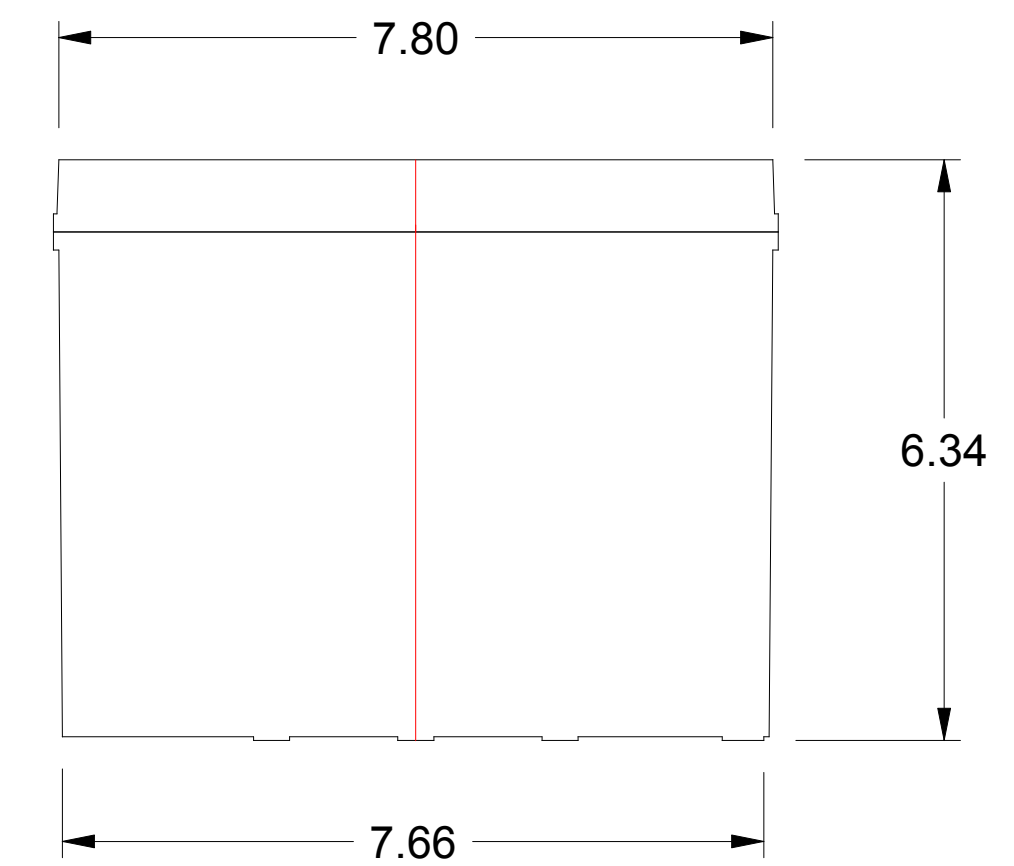
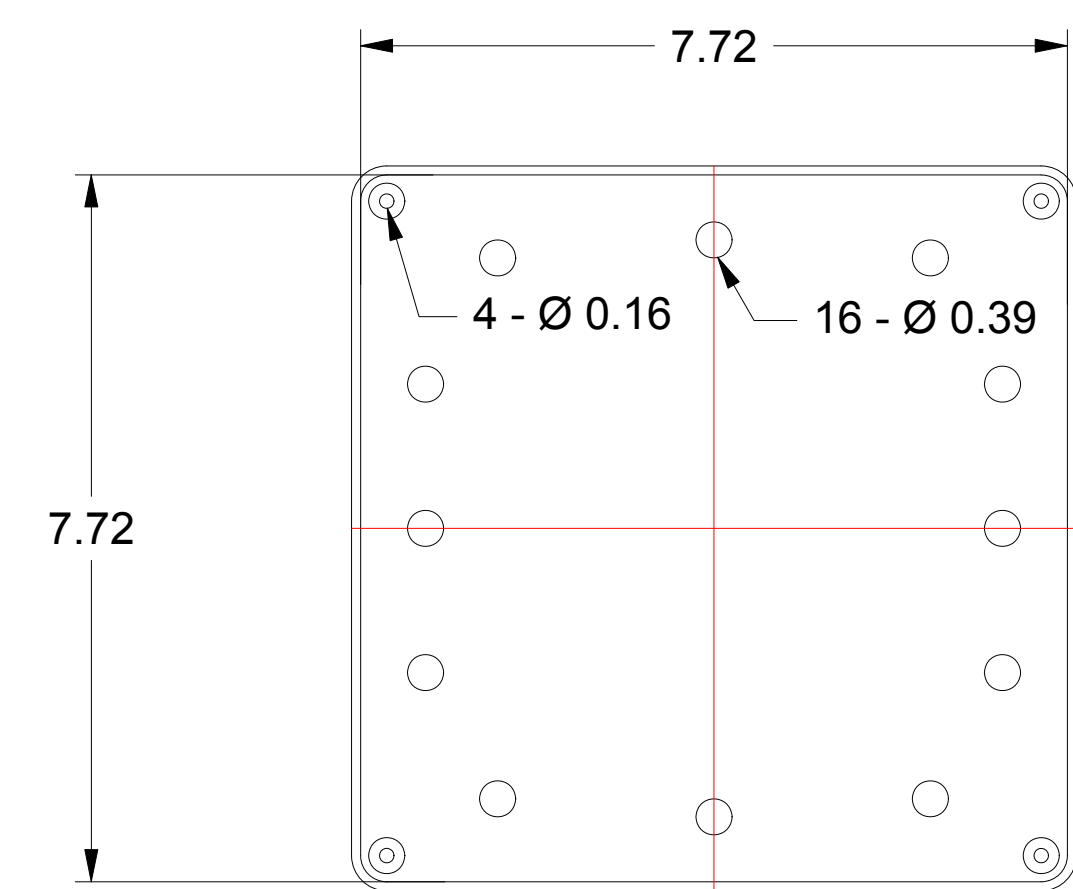
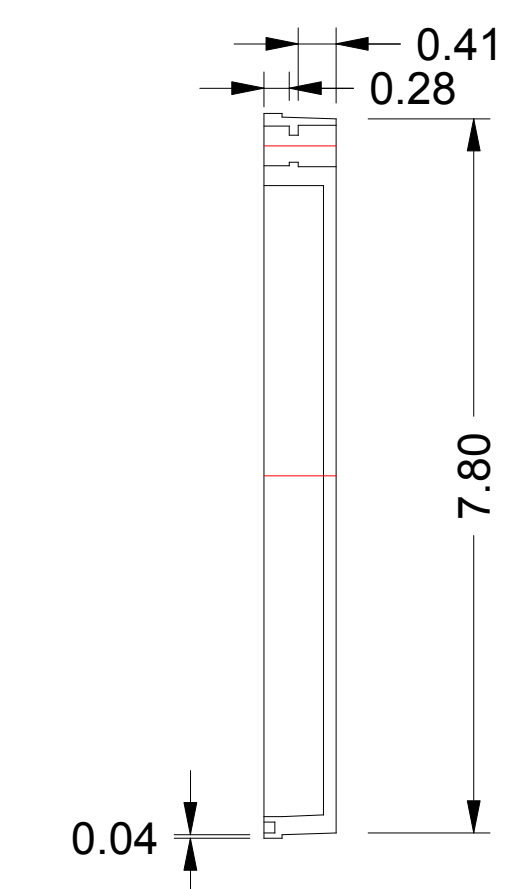
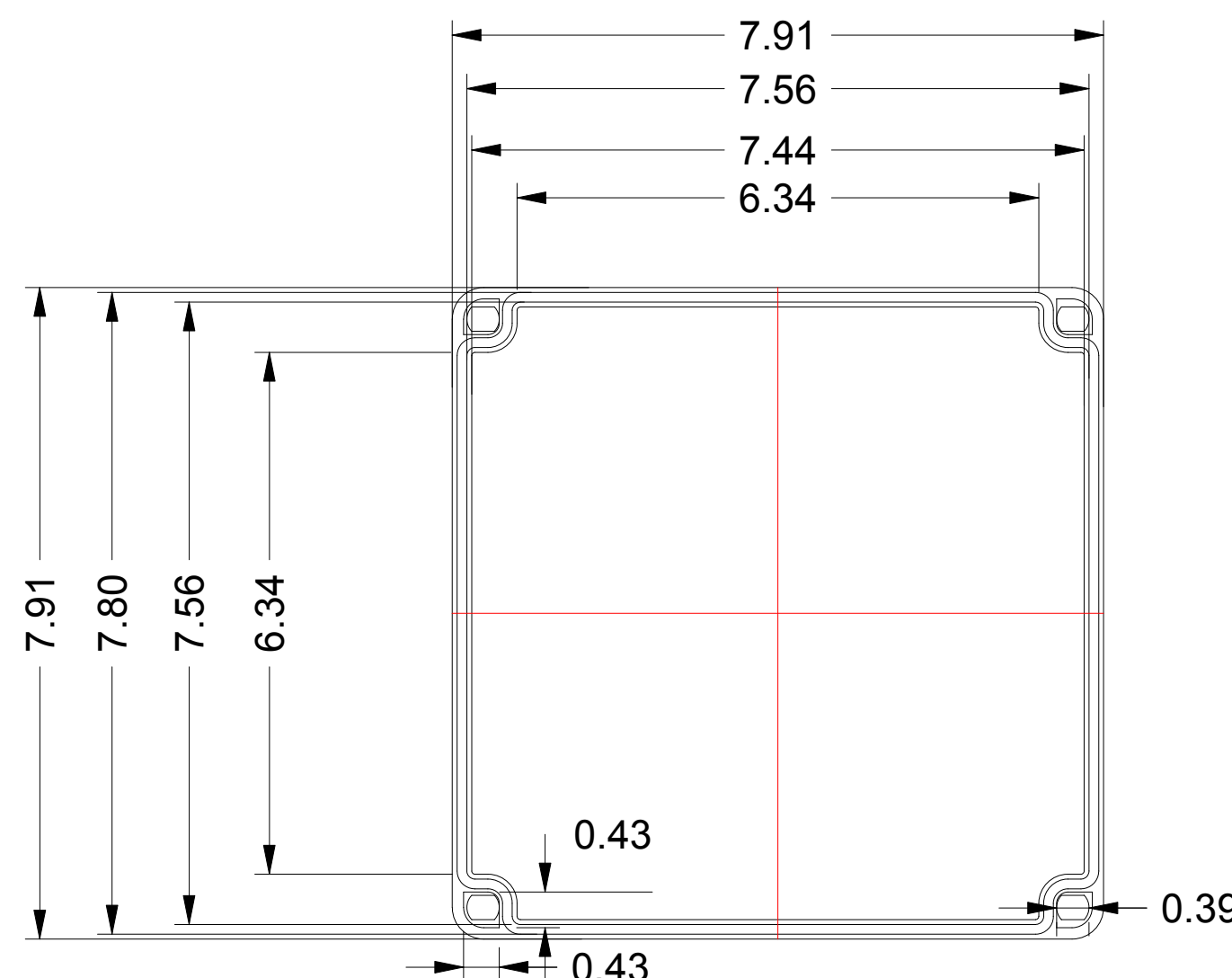
DRAWN
P. Colin
02/01/2016

SCALE 1:2 SIZE D (34 x 22) SHEET 1 OF 1

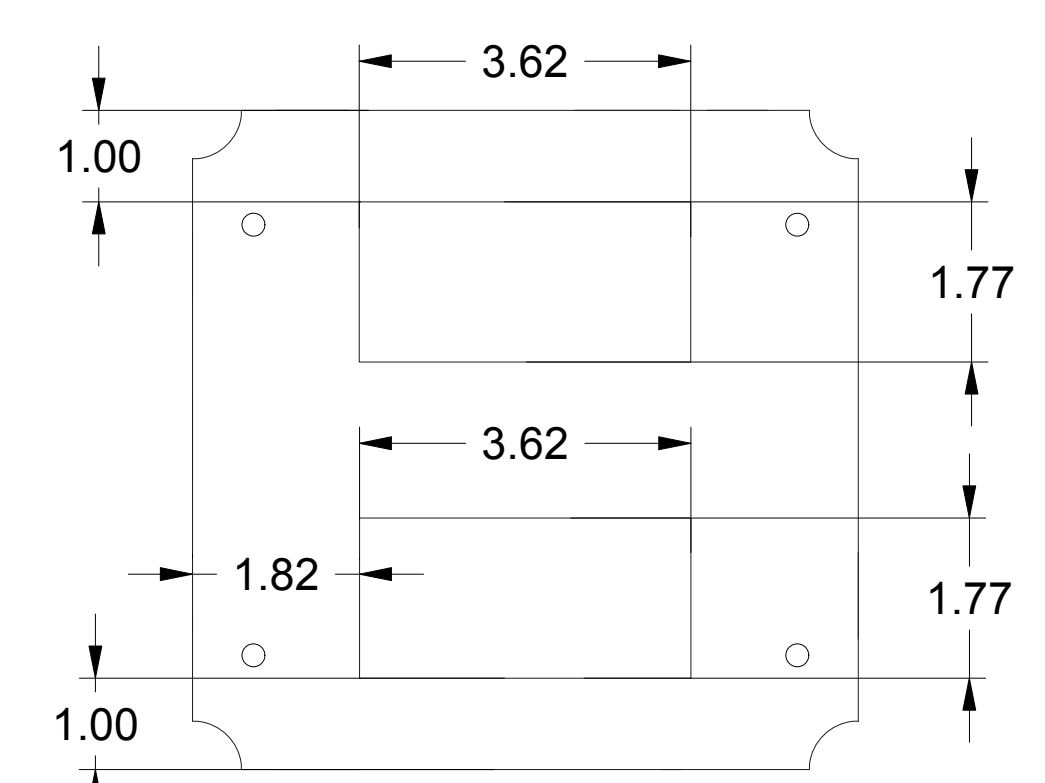
BODY



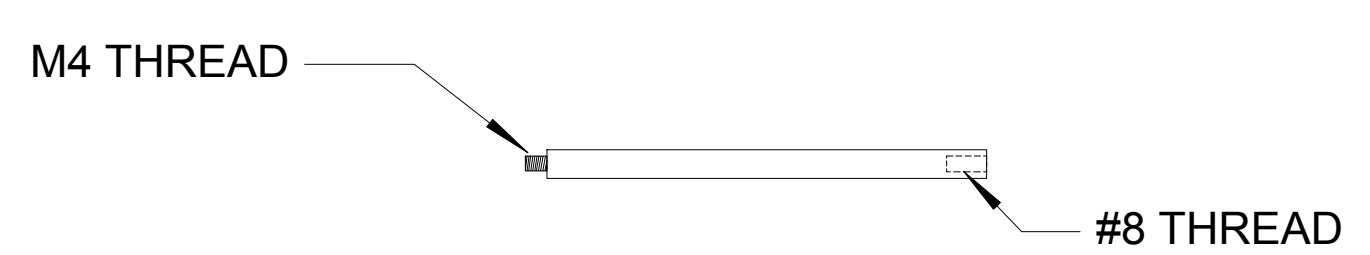
COVER



CUT-AWAY SIDE VIEW



MOUNTING PLATE



STAND-OFF



HARDWARE

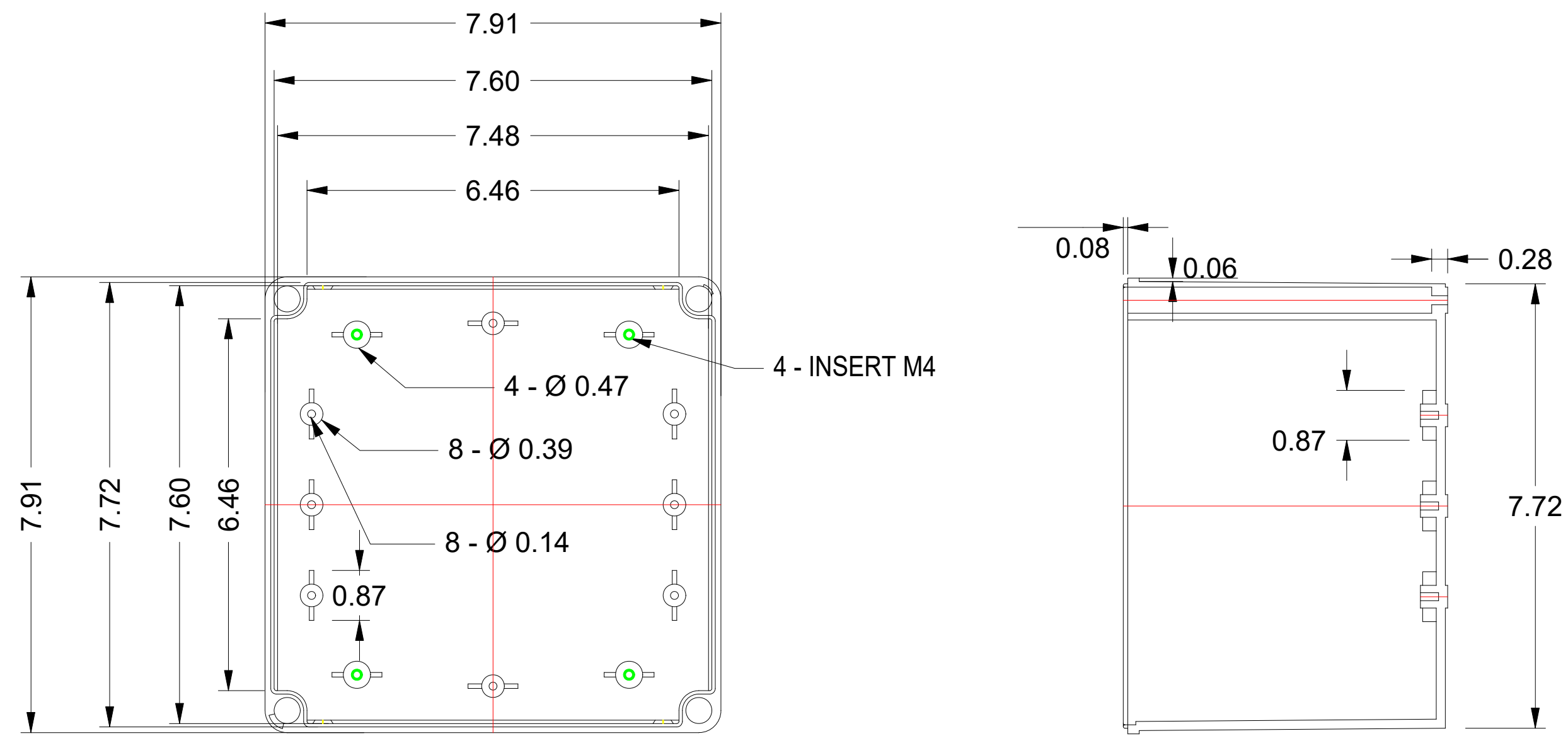
BOTTOM VIEW

NOTES: ALL DIMENSIONS SHOWN ARE IN INCHES.

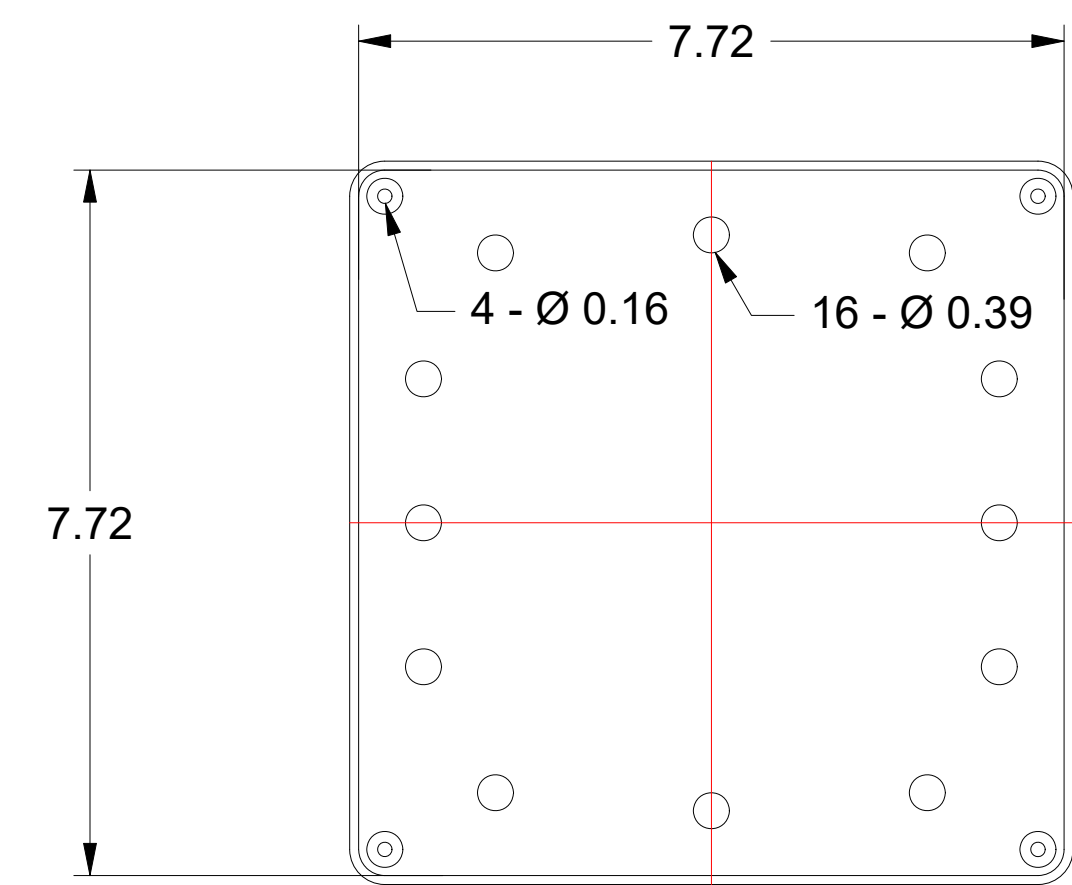
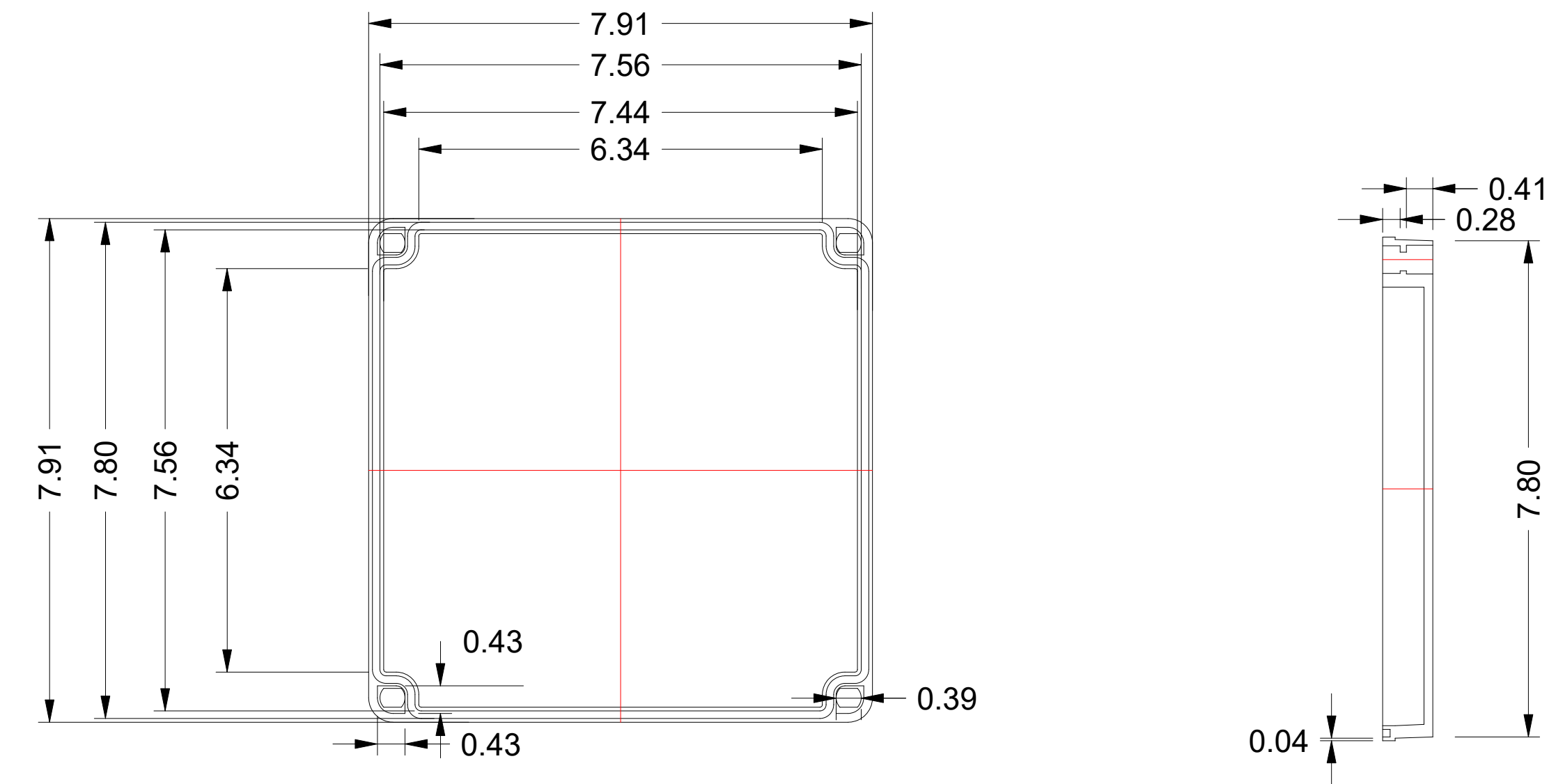
DRAWN
P. COLIN
02/01/2016

FLOWLINE, INC.		
LOS ALAMITOS, CA 90720		
LM92-2002 ENCLOSURE DRAWING FILE 301682 REV A		
SCALE 1:2	SIZE D (34 x 22)	SHEET 1 OF 1

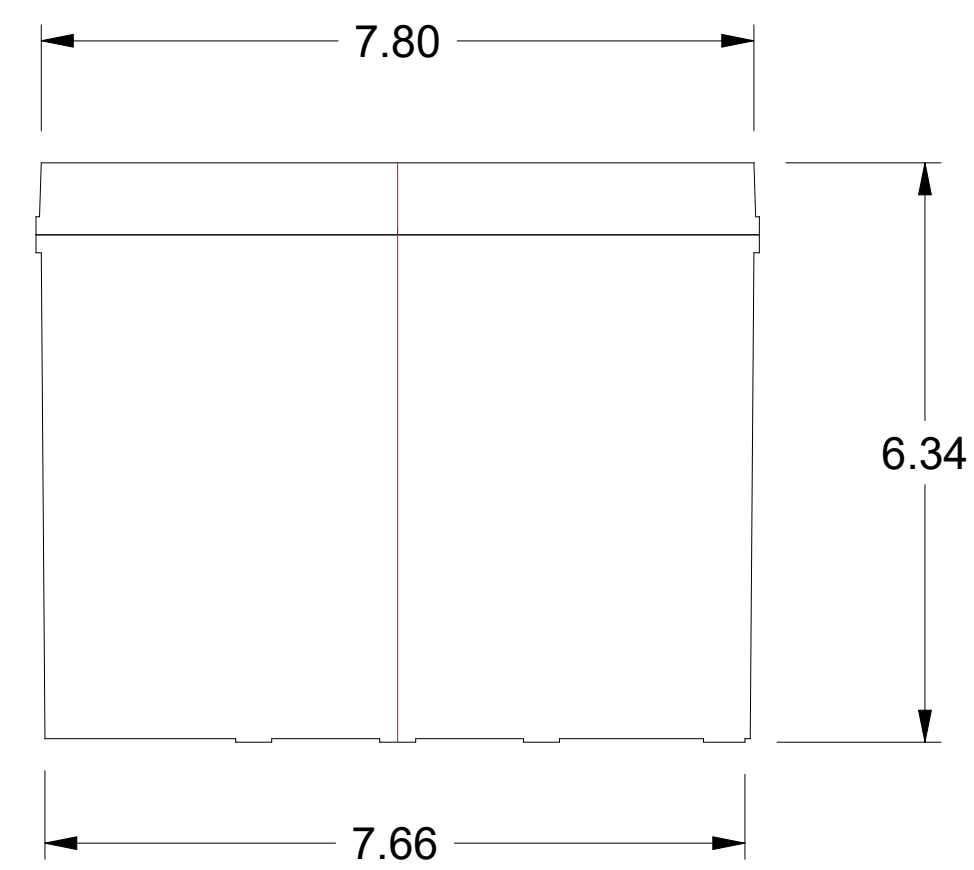
BODY



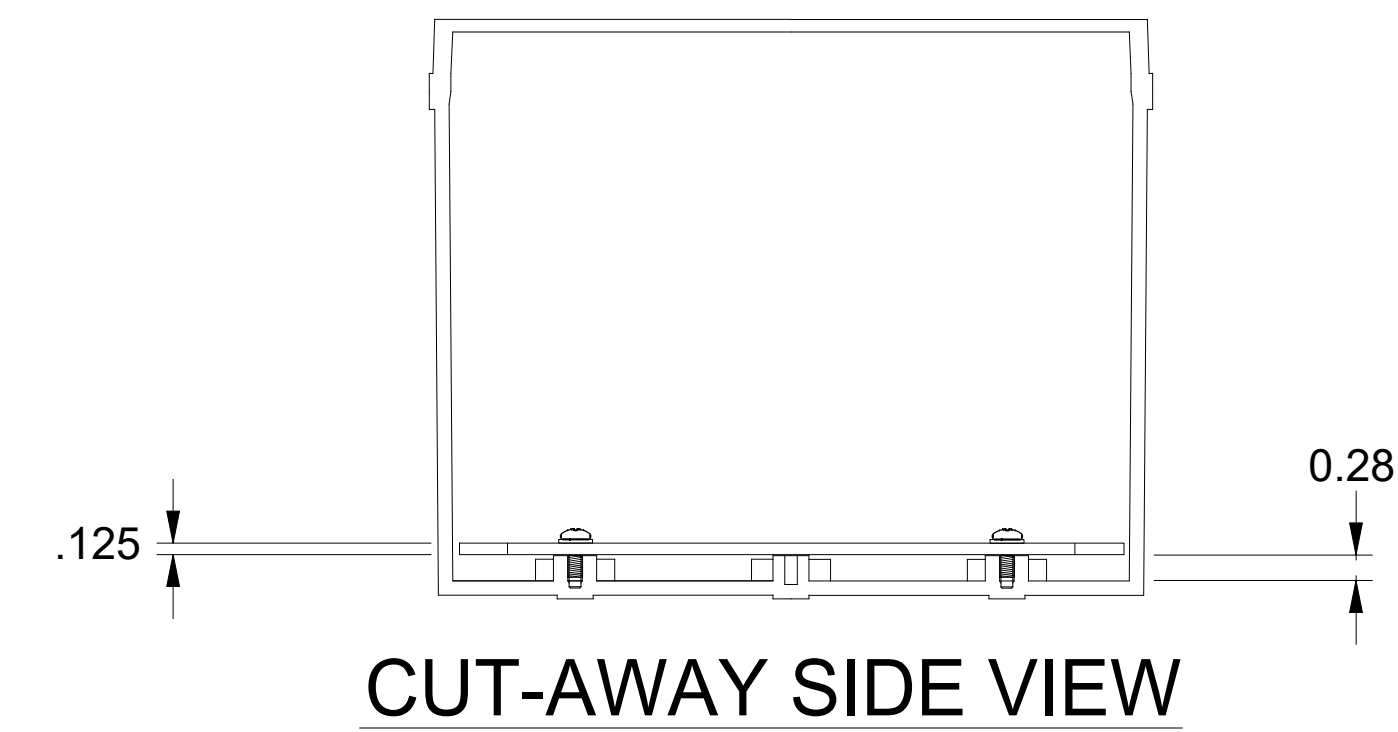
COVER



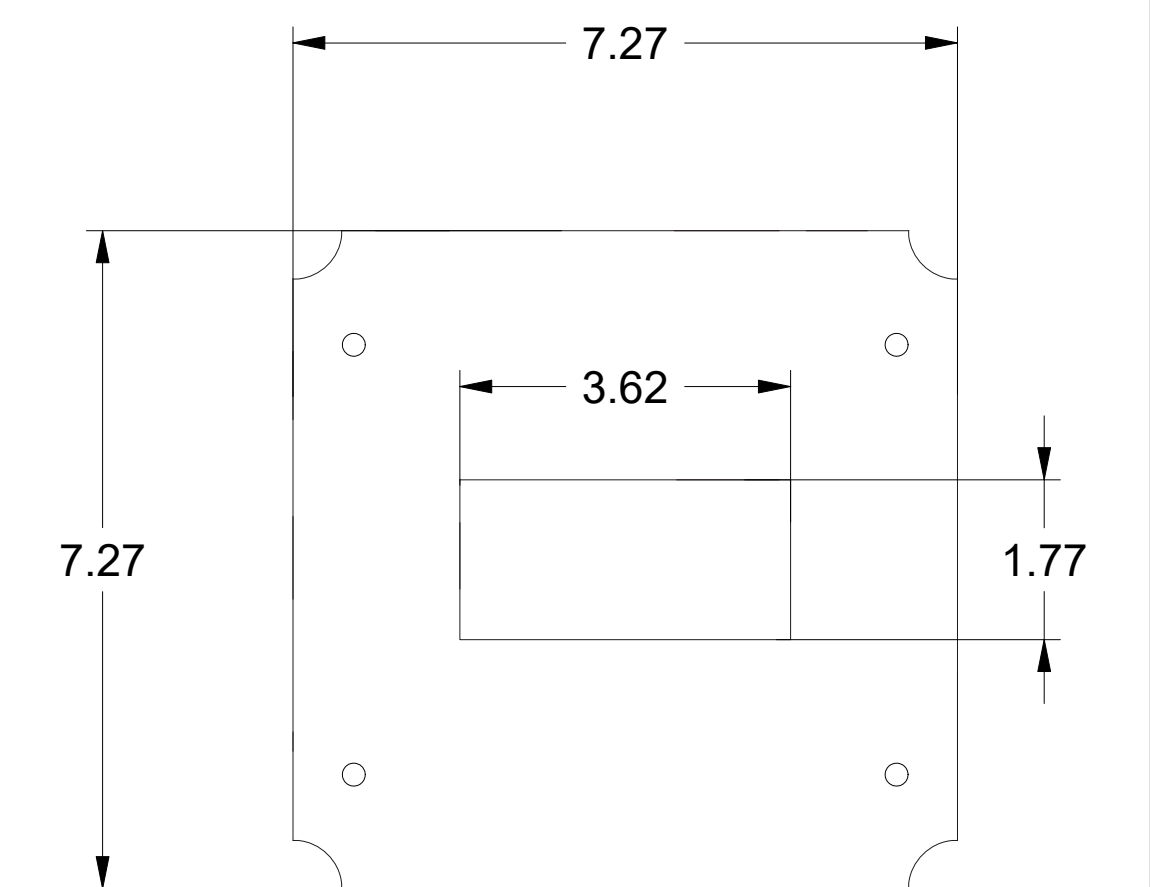
BOTTOM VIEW



ASSEMBLED SIDE VIEW



CUT-AWAY SIDE VIEW



MOUNTING PLATE

#8-32 1/2" PHILLIPS  #8 WASHER 

HARDWARE

DRAWN
P. Colin
02/01/2016

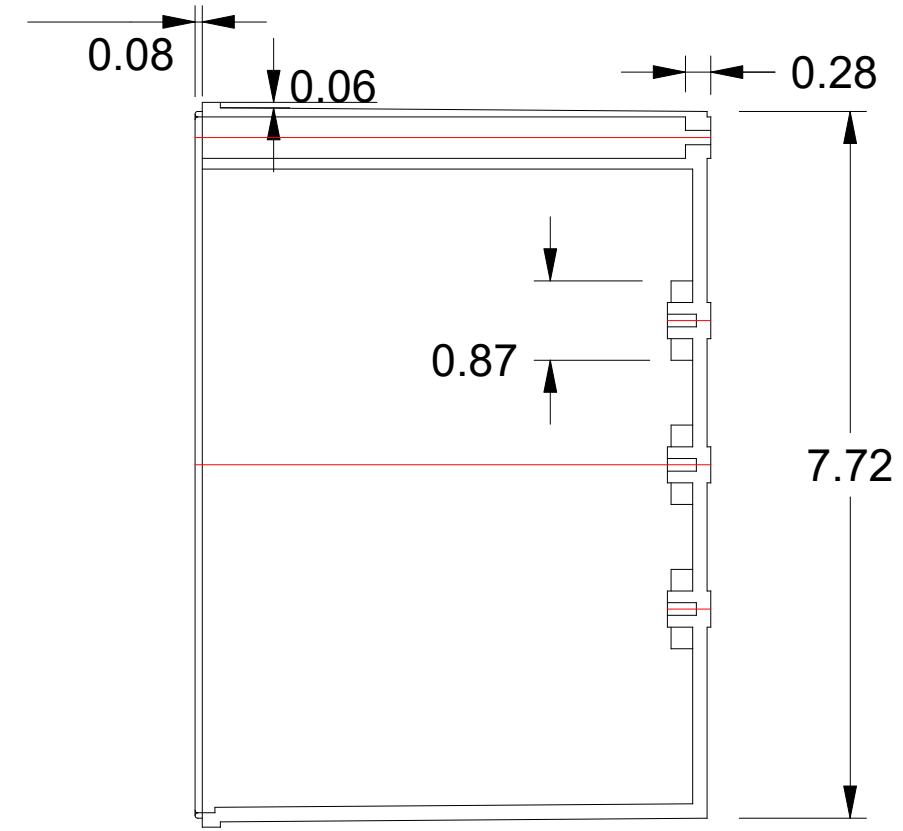
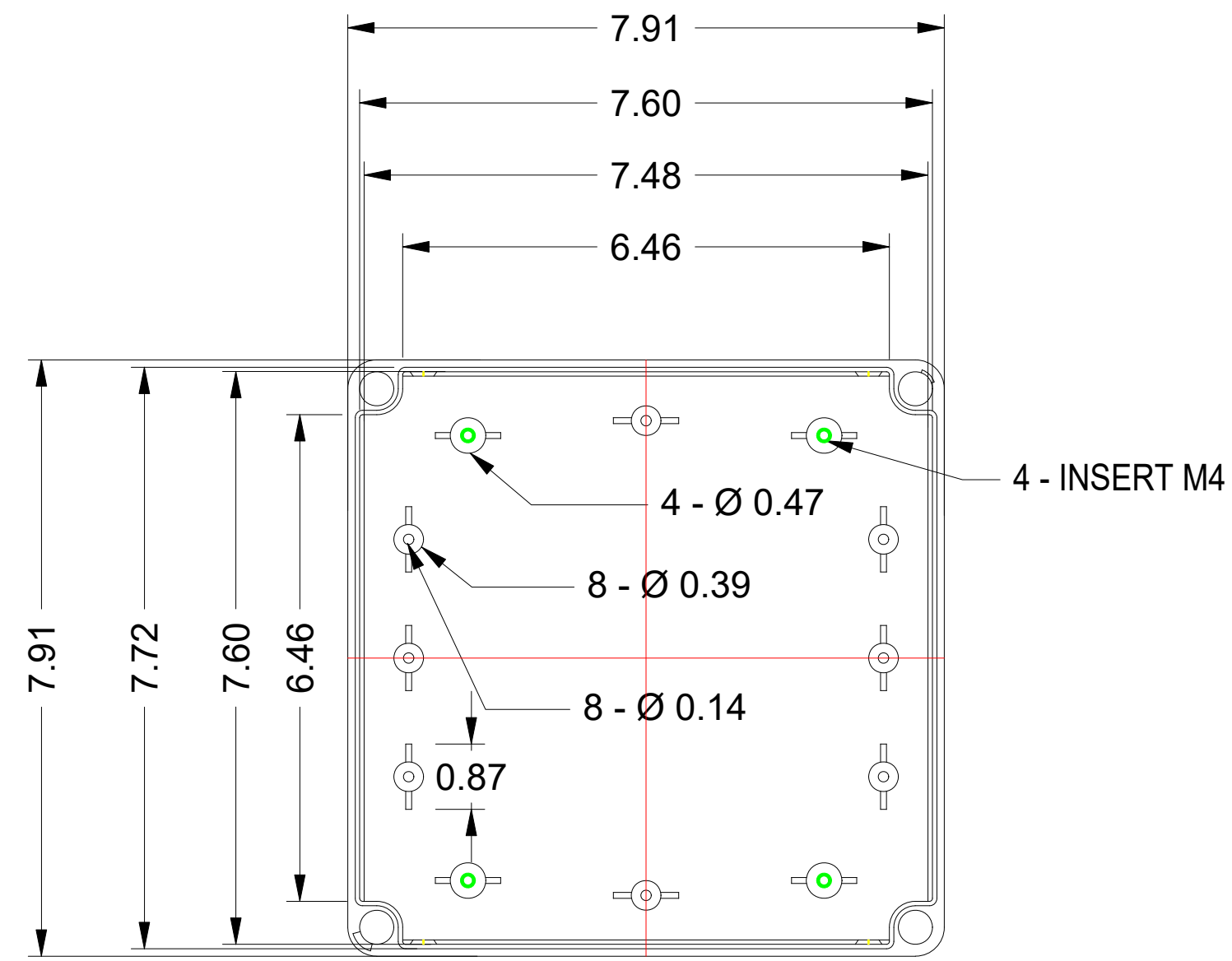
FLOWLINE INC.

LOS ALAMITOS, CA 90720

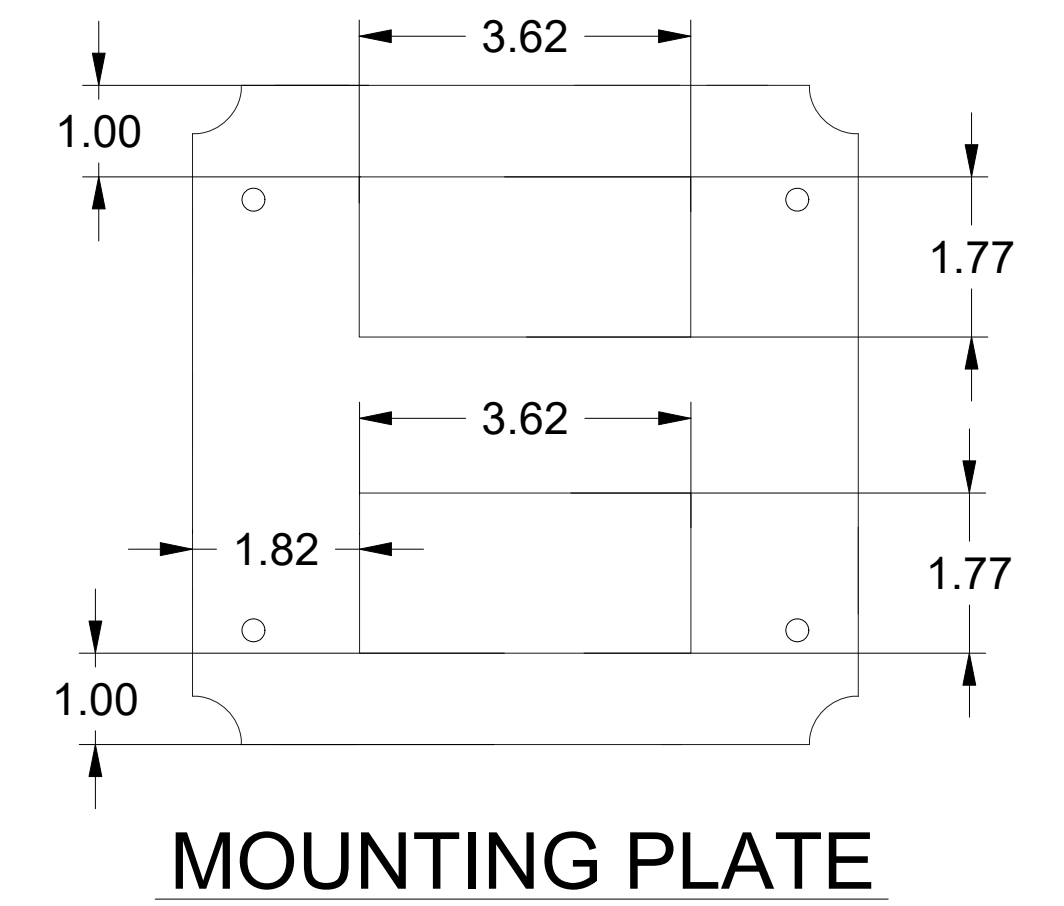
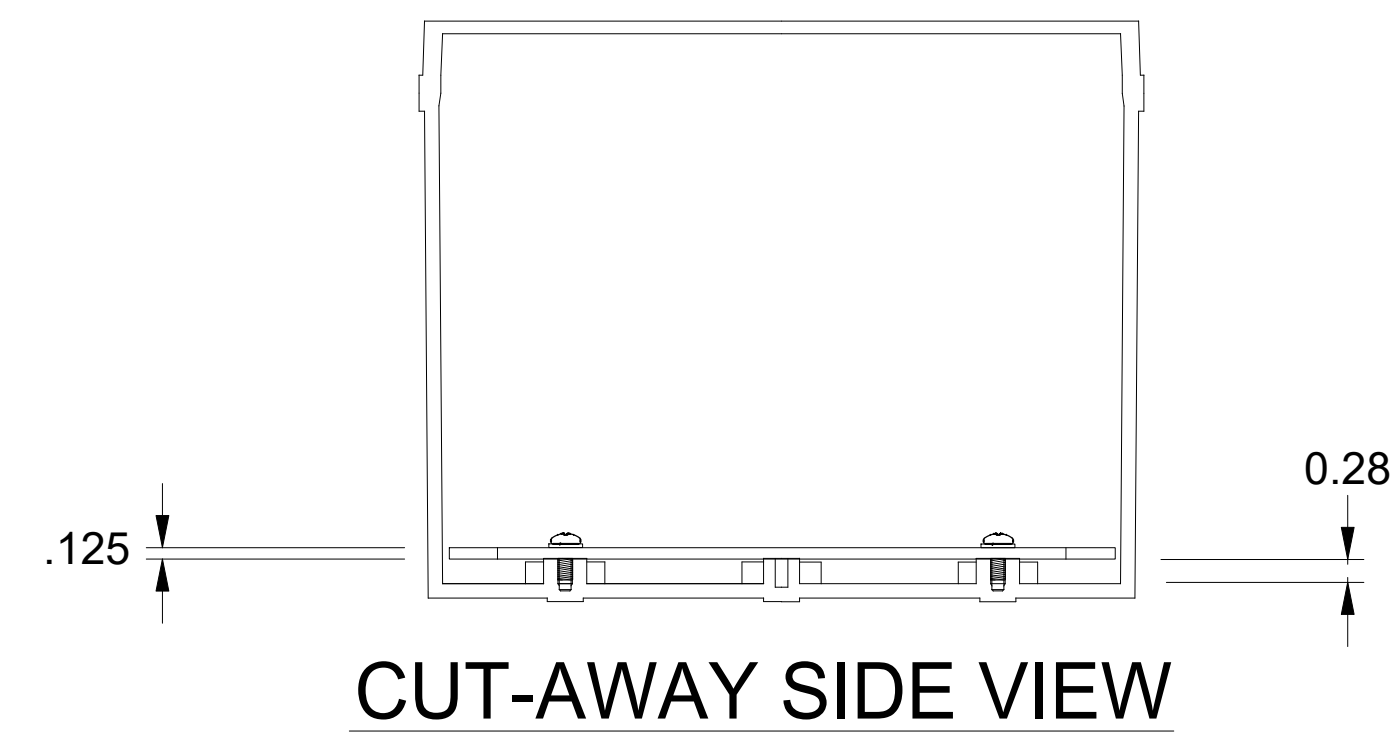
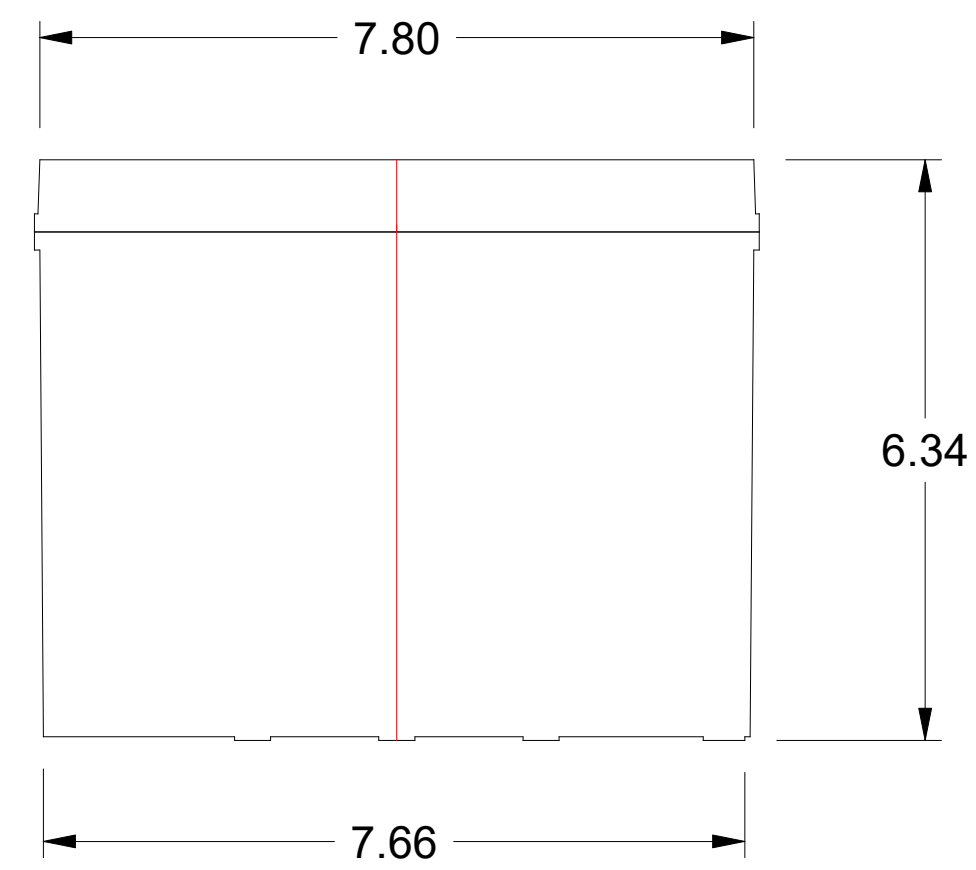
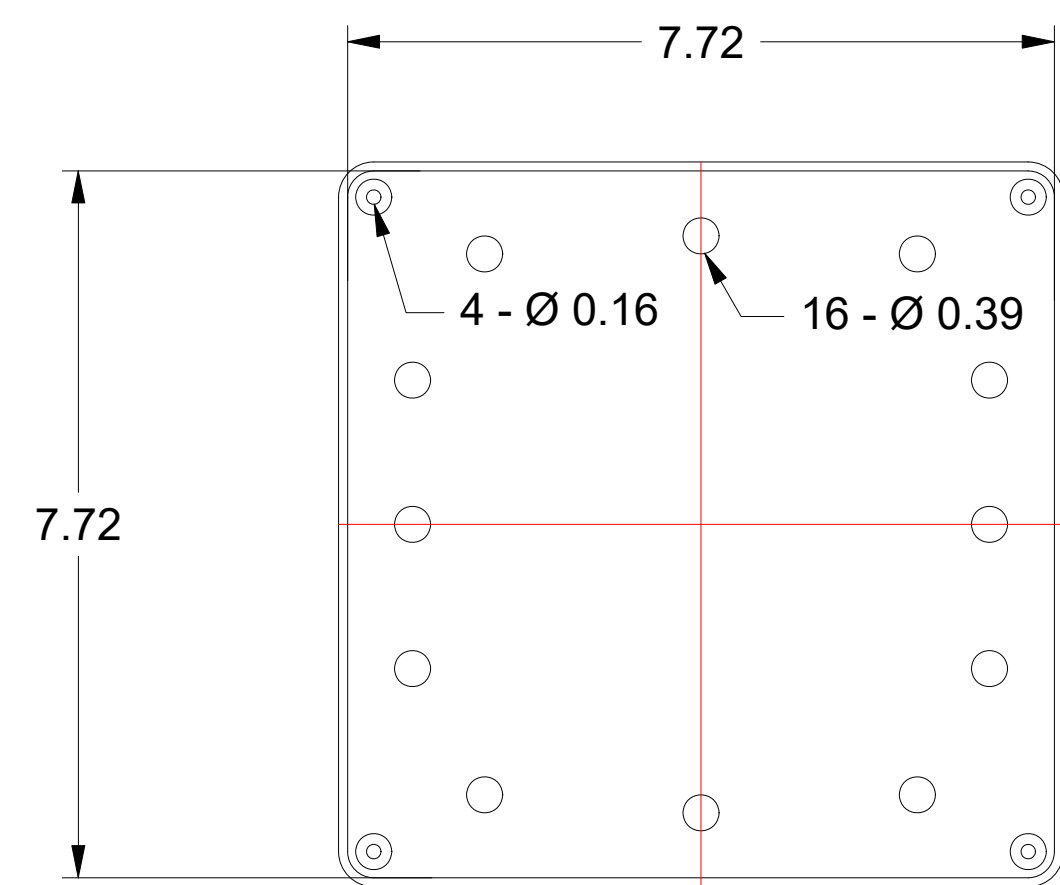
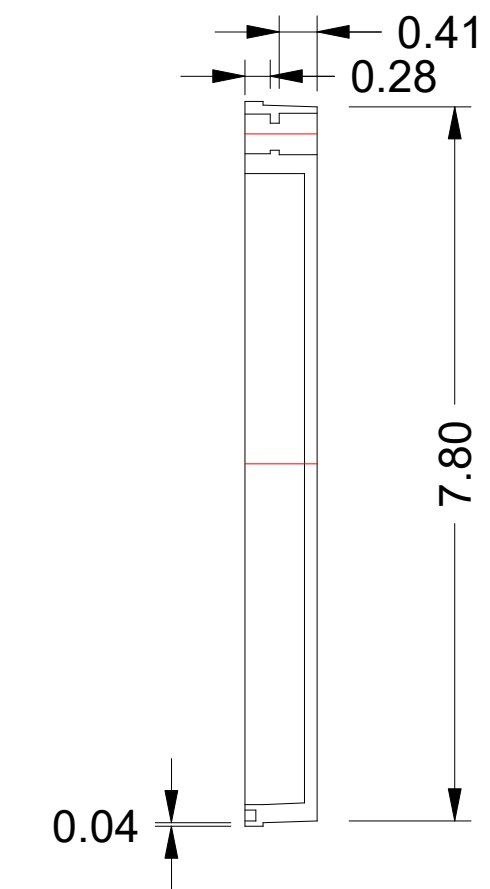
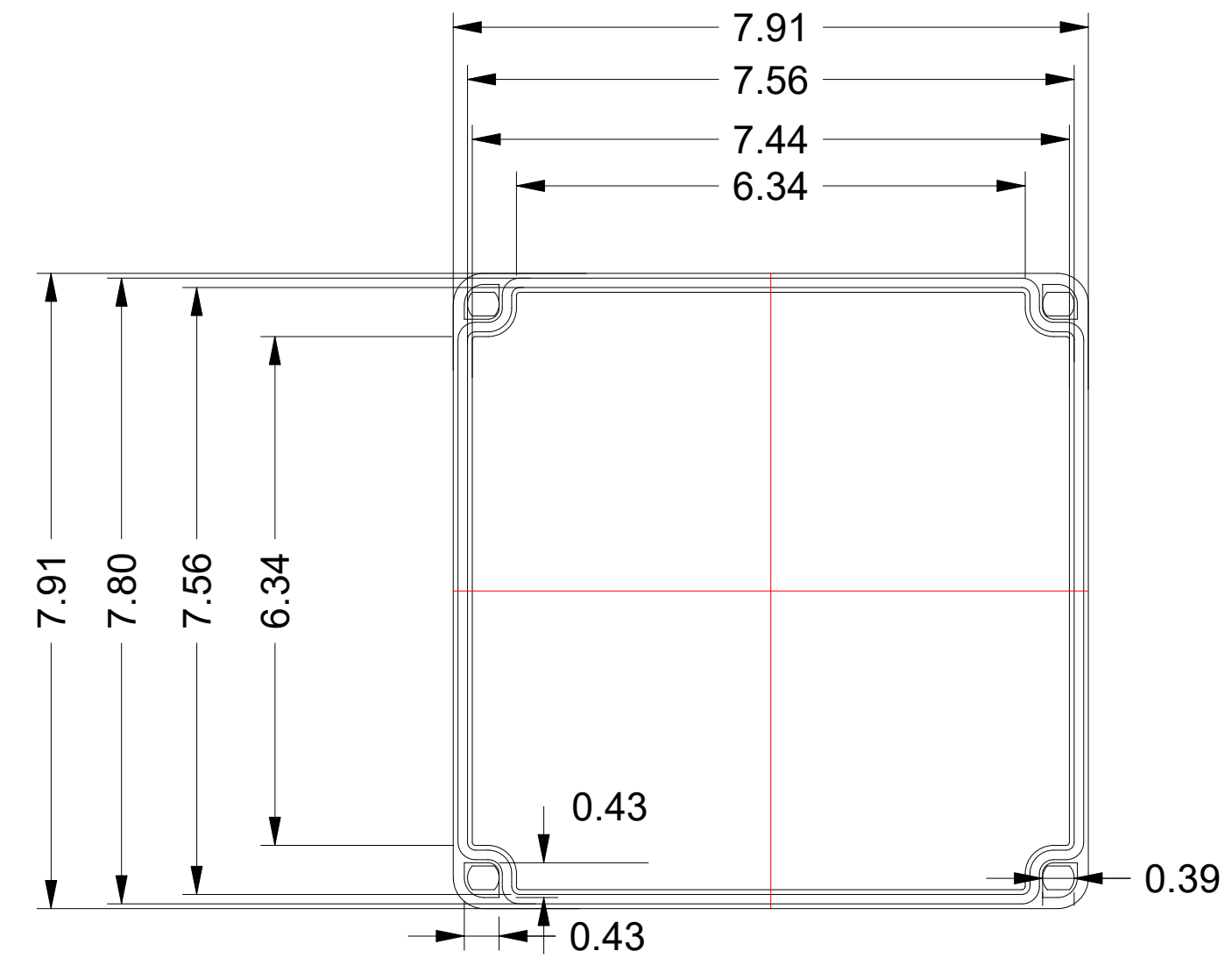
**LM92-1202 ENCLOSURE
DRAWING FILE
301685 REV A**

NOTES: ALL DIMENSIONS SHOWN ARE IN INCHES.

BODY

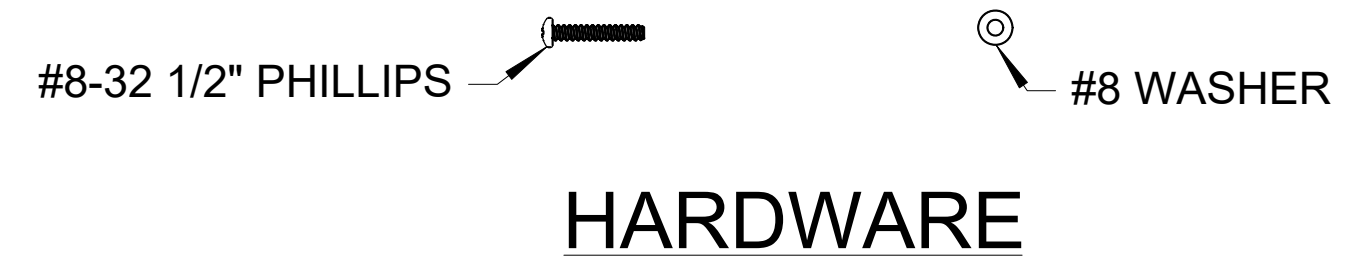


COVER



BOTTOM VIEW

NOTES: ALL DIMENSIONS SHOWN ARE IN INCHES.



DRAWN
P. COLIN
02/01/2016

FLOWLINE, INC.		
LOS ALAMITOS, CA 90720		
LM92-2202 ENCLOSURE DRAWING FILE 301686 REV A		
SCALE 1:2	SIZE D (34 x 22)	SHEET 1 OF 1