

PARTS BREAKDOWN FOR MODELS: EL2, EL3  
RICE HYDRO INC.

PART NUMBER..	DESCRIPTION..	QTY REQ'D
UD04-0006.09	BEARING	1
UD04-0007.18	SEAL	3
UD04-0007.24	SEAL	1
UD04-0009.09	RETAINER CLIP	1
UD04-0014.20	PLUNGER ROD	3
UD04-0021.15	WATER SEAL	3
UD04-0023.22	SUPPORT RING	1
UD04-0031.42	CRANKSHAFT	1
UD04-0103.41	ALUMINUM CONNECTING ROD	3
UD04-0208.70	BACK COVER	1
UD04-0208.72	CRANKCASE COVER	1
UD04-0209.56	CRANKCASE	1
UD04-0214.21	BEARING	1
UD04-0301.42	SLINGER RING	1
UD04-0303.18	PLUNGER NUT	1
UD04-0517.08	ELECTRIC FLANGE	1
UD04-0602.76	GASKET - CRANKCASE COVER	1
UD02-0605.09	ALUMINUM WASHER	1
UD04-0605.33	PLUNGER WASHER	1
UD04-0635.01	HIGH PRESSURE SEAL ASSY	3
UD04-1101.76	O-RING - OIL PLUG	1
UD04-1101.A2	O-RING - VALVE CAP	6
UD04-1101.A3	O-RING - VALVE	6
UD04-1101.A4	O-RING - PLUNGER	3
UD04-1101.A6	O-RING - BEARING COVER	1
UD04-1101.A7	O-RING - LP SEAL RETAINER	3
UD04-1205.35	PLUNGER - 15 MM	3
UD04-1212.10	SIDE PLATE	1
UD04-1221.11	LOW PRESSURE SEAL RETAINER	3
UD04-1411.01	WASHER	12
UD04-1502.15	CONNECTING ROD PIN	3
UD04-1506.26	SNAP RING	1
UD04-1603.64	3/8" PLUG	1
UD04-1603.69	SIGHT GLASS	1
UD04-1603.72	VALVE CAP	6
UD04-1604.59	BRASS MANIFOLD	1
UD04-1625.11	OIL PLUG	1
UD04-1805.19	BOLT	4
UD04-1805.20	BOLT	8
UD04-1805.39	BOLT	8
UD04-6006.25	VALVE ASSY KIT w/o O-RING	6

OUTLET HOSES:

HOSE-3/8X8-RH	8' FOOT OUTLET HOSE - STANDARD	1
<i>*3/8" Male Rigid Fitting &amp; 3/8" Male Swivel Fitting included on 8ft outlet hose</i>		
COUPLERBODY-BR-3/8F	FEMALE PUMP OUTLET - HOSE	1
COUPLERPLUG-3/8M	MALE PUMP OUTLET - PIPING	1
HOSE-3/8-3000XFT	SPECIFY LENGTH OF HOSE	
3/8" Male Rigid Fitting & 3/8" Male Swivel Fitting		1

MOTORS & PUMPS:

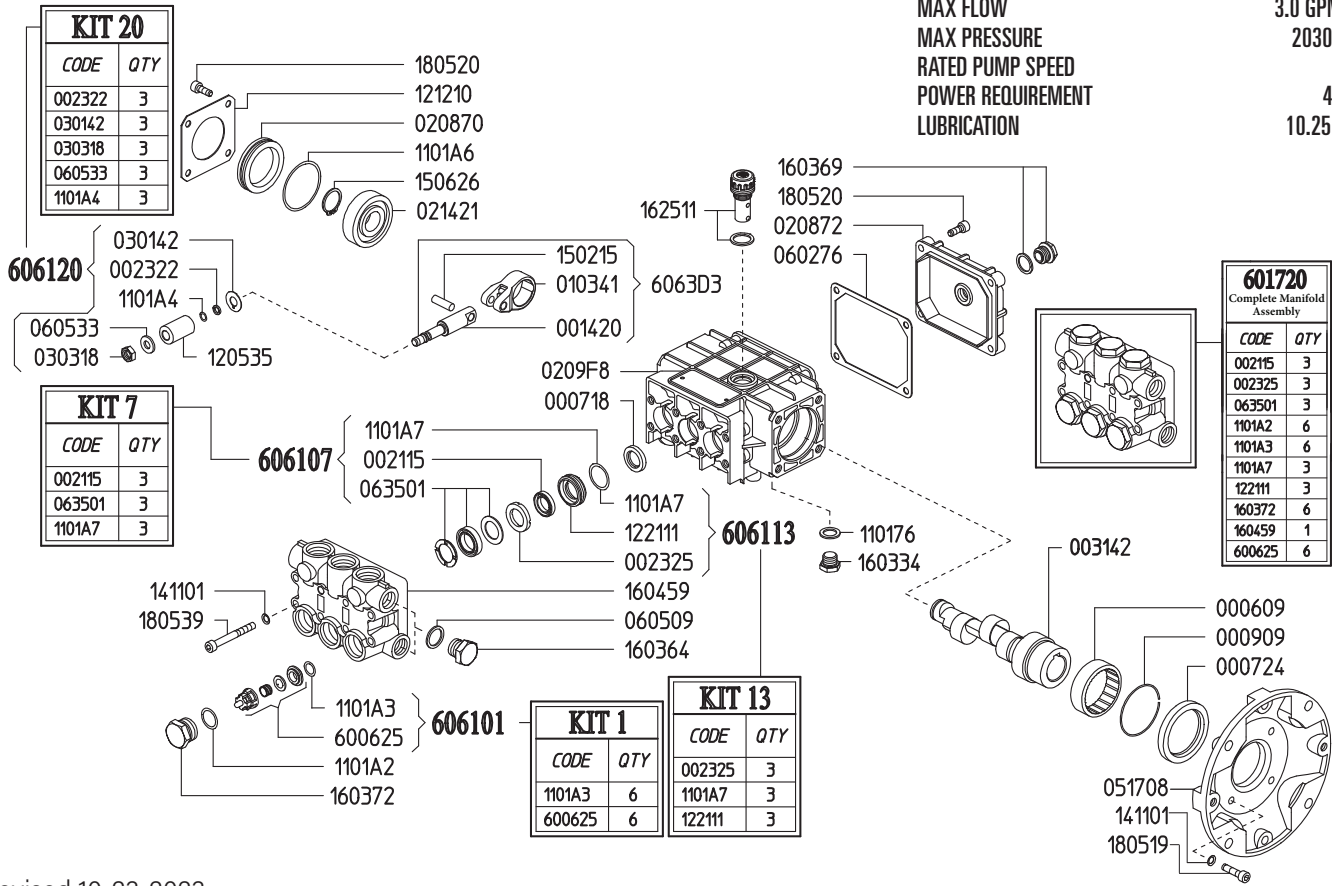
MOTOR-1HP-CFACE (EL2)	1HP 110/220V 1 PHASE 50/60HZ	1
MOTOR-1.5HP-50/60HZ (EL3)	1.5HP 110/220V 1 PHASE 50/60HZ	1
SPEC-PNL-3.0/20-Z	TRIPLEX PLUNGER PUMP	1

PARTS BREAKDOWN FOR MODELS: EL2, EL3  
RICE HYDRO INC.

PART NUMBER..	DESCRIPTION..	QTY REQ'D
MISCELLANEOUS PARTS:		
HOESWIVEL-1/2	HOSE SWIVEL INLET	1
HOESCREEN&WASHER	INLET HOSE SCREEN	1
BALLVALVE-3/8HP	OUTLET BALLVALVE	1
VALVE-RELIEF-900PSI (EL2) RED SPRING 100-900 PSI	PRESSURE REGULATOR	1
VALVE-RELIEF-2000PSI (EL3) YELLOW SPRING 200-2000 PSI	PRESSURE REGULATOR	1
GAUGE-1500 (EL2)	0-1500 PSI LIQUID GAUGE	1
GAUGE-2000 (EL3)	0-2000 PSI LIQUID GAUGE	1
NEEDLEVALVE-1/4	AIR BLEED VALVE	1
KING-EL1A	SHIPPING BOX	1
LABEL-KIT-EL	INSTRUCTION AND CAUTION STICKERS	1
KITS:	*Kits are all inclusive	
UD04-6061.01	VALVE KIT	
UD04-6061.07	SEAL KIT	
UD04-6061.13	BRASS KIT	
UD04-6061.20	PLUNGER O-RING KIT	

MAX FLOW  
MAX PRESSURE  
RATED PUMP SPEED  
POWER REQUIREMENT  
LUBRICATION

3.0 GPM / 11.4 L/MIN  
2030 PSI / 130 BAR  
3400 RPM  
4.0 HP ELECTRIC  
10.25 OZ UDOR LUBE



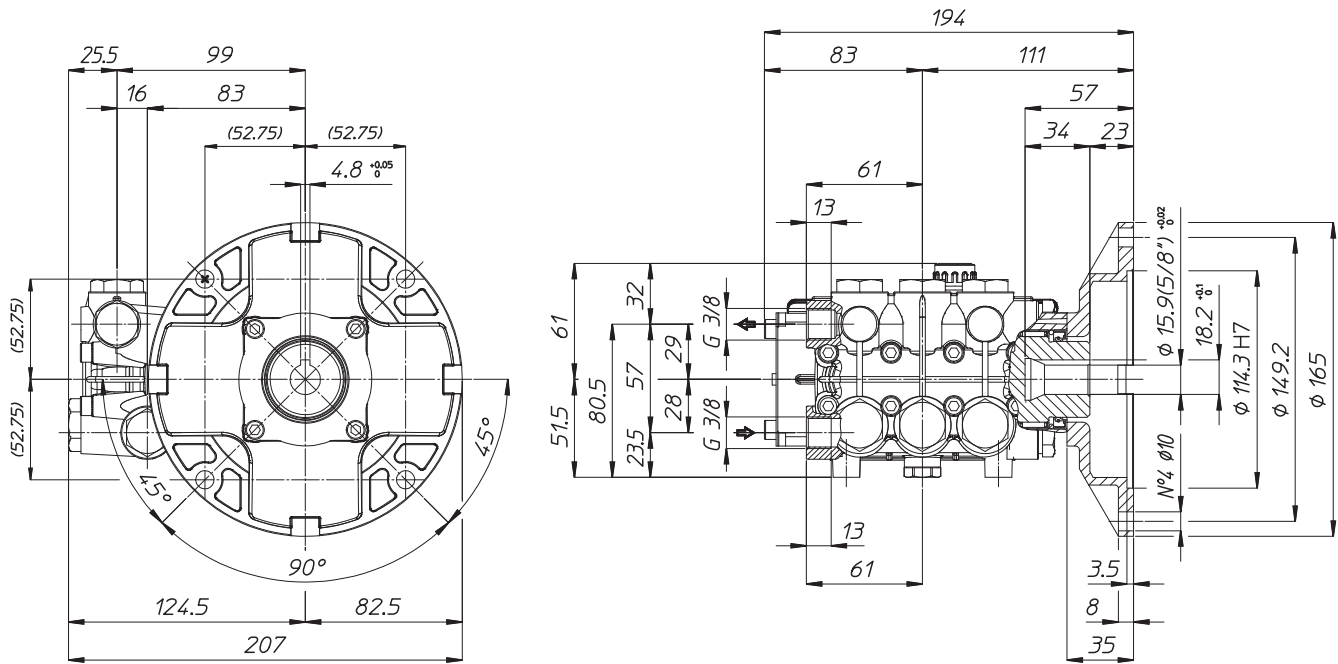
Revised 10-23-2023

Part #	Description	Qty	Part #	Description	Qty
0006.09	BUSHING D45X52X16 HK45-16	1	1101.A7	O-RING - LP SEAL RETAINER <sup>B C E</sup>	3
0007.18	OIL SEAL D15X24X4	3	1205.35	CERAMIC PLUNGER D15X30 "PN"	3
0007.24	OIL SEAL D40X52X7	1	1212.10	METAL COVER "PN"	1
0009.09	ELASTIC RING D52X2.5	1	1221.11	LOW PRESS. SEAL RETAINER D15 <sup>C E</sup>	3
0014.20	PLUNGER GUIDE D15/18 "PN"	3	1411.01	SERATED WASHER D6	12
0021.15	WATER SEAL LP. D15 <sup>B E</sup>	3	1502.15	PIN D7X25.5	3
0023.22	RING D6.3X9X1.3 2021 "PN/C/G" <sup>C E</sup>	3	1506.26	SNAP RING D20	1
0023.25	INTERMEDIATE RING D15 "PN"	3	1603.34	PLUG G1/4	1
0031.42	HOLLOW SHAFT "PN" D5/8"	1	1603.64	PLUG G3/8	1
0103.41	CONNECTING ROD "PN/PS"	3	1603.69	OIL PLUG G1/4+GASKET	1
0208.70	COVER "PN"	1	1603.72	VALVE PLUG "PN"PISTON D15/18 <sup>E</sup>	6
0208.72	BACK COVER "PN"	1	1604.59	HEAD "PN" PISTON D15/18 <sup>E</sup>	1
0209.F8	CRANKCASE "PN/PS"	1	1625.11	OIL PLUG G3/8 "PN"	1
0214.21	BALL BEARING D20X52X15	1	1805.19	ALLEN BOLT M6X25	4
0301.42	SLINGER RING "PN/PK/PKWT/PS" <sup>D</sup>	3	1805.20	ALLEN BOLT M6X16	8
0303.18	NUT "PN/PK/PKWT/PS M8XH5 <sup>D</sup>	3	1805.39	ALLEN BOLT M6X60	8
0517.08	ENGINE FLANGE "PN" NEMA 56H	1	6006.25	VALVE ASSY "PN" W/O O-RING <sup>A E</sup>	6
0602.76	BACK COVER GASKET "PN/PK/PW/PS"	1	6017.20	COMPLETE MANIFOLD ASSEMBLY	1
0605.09	GASKET D17X23X1.5 (G3/8)	1	6061.01	KIT 1 - VALVE KIT "PN/PW"	1
0605.33	GASKET D8X14X2 <sup>D</sup>	3	6061.07	KIT 7 - WATER SEAL KIT D15 "PN/PK"	1
0635.01	HIGH PRESS. SEAL ASSY D15 <sup>B E</sup>	3	6061.13	KIT 13 - BRASS RING KIT D15 "PN"	1
1101.76	O-RING - OIL PLUG	1	6061.20	Kit 20 - PLUNGER KIT D15/18 "PN"	1
1101.A2	O-RING - VALVE CAP <sup>E</sup>	6			
1101.A3	O-RING - VALVE <sup>A E</sup>	6			
1101.A4	O-RING - PLUNGER <sup>D</sup>	3			
1101.A6	O-RING - BEARING COVER	1			

<sup>A</sup> Parts in 6061.01 (Kit 1).  
<sup>B</sup> Parts in 6061.07 (Kit 7).  
<sup>C</sup> Parts in 6061.13 (Kit 13).  
<sup>D</sup> Parts in 6061.20 (Kit 20).  
<sup>E</sup> Parts in 6017.20 (Complete Manifold Assembly).

*Dimensional Drawings are  
Shown in Millimeters.  
To Convert to Inches,  
Multiply Dimension x 0.03937*

## PN SERIES PUMPS - 5/8" HOLLOW SHAFT w/ NEMA 56C FLANGE



## TORQUE SPECS

Ref.	Description	Ft./lb.	Nm	Loctite®
1	Head Bolts	8	11	-
2	Valve Caps	75	100	243
3	Inlet Cap	60	80	-
4	Outlet Cap	60	80	243
5	Bearing Flange Bolts	8	11	-
6	Rear Cover Bolts	8	11	-
7	Connecting Rod Bolts	-	-	-
8	Plunger Bolts	11	15	270
9	Valve Cover Bolts	-	-	-
10	Oil Drain Plug	6	8	-

