

SPECIFICATIONS

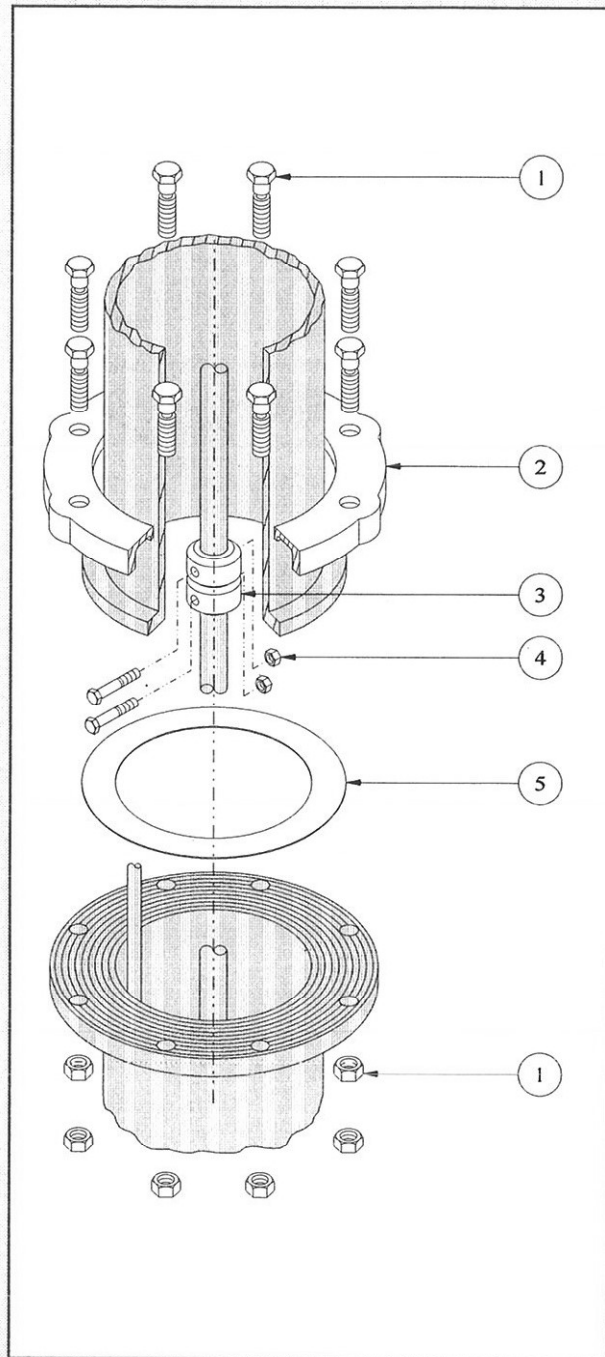
ITEM NUMBER	DESCRIPTION	MATERIAL	QTY.
1	Breakable Bolt & Nut	Zinc-Plated Steel	8
2	Safety Flange (HALF CIRCLE)	Cast Iron	2
3	Breakable Stem Coupling	Cast Iron	1
4	Coupling Bolt & Nut	Stainless Steel	2
5	Flange Gasket	Cloth-Inserted SBR Rubber	1

SIZE: 4¼", 4½", or 5¼" Main Valve Opening

HRPI Products are engineered and manufactured using the latest computerized technology to ensure quality products with repeatable tolerances.

HRPI Guarantees this product to be compatible, and will operate with the fire hydrant when installed properly. The use of this product shall not affect any published warranties available to the buyer.

PRODUCTS MEET OR EXCEED THE AWWA C502 STANDARD FOR DRY-BARREL FIRE HYDRANTS.



FAX: (918) 224-6857

Hydrant Repair Parts, Inc.

7900 New Sapulpa Road, Tulsa, OK 74131 • (918) 224-8713

1-800-776-8713 or 1-800-548-9123

Clow is a registered trademark of Clow Valve Co., a division of McWane, Inc., Okaloosa, Iowa.
Hydrant Repair Parts, Inc., is not affiliated with Clow Valve Co.