

EXTENSION KITS  
FOR



AMERICAN-DARLING B-62-B AND B-84-B  
FIRE HYDRANTS

SPECIFICATIONS

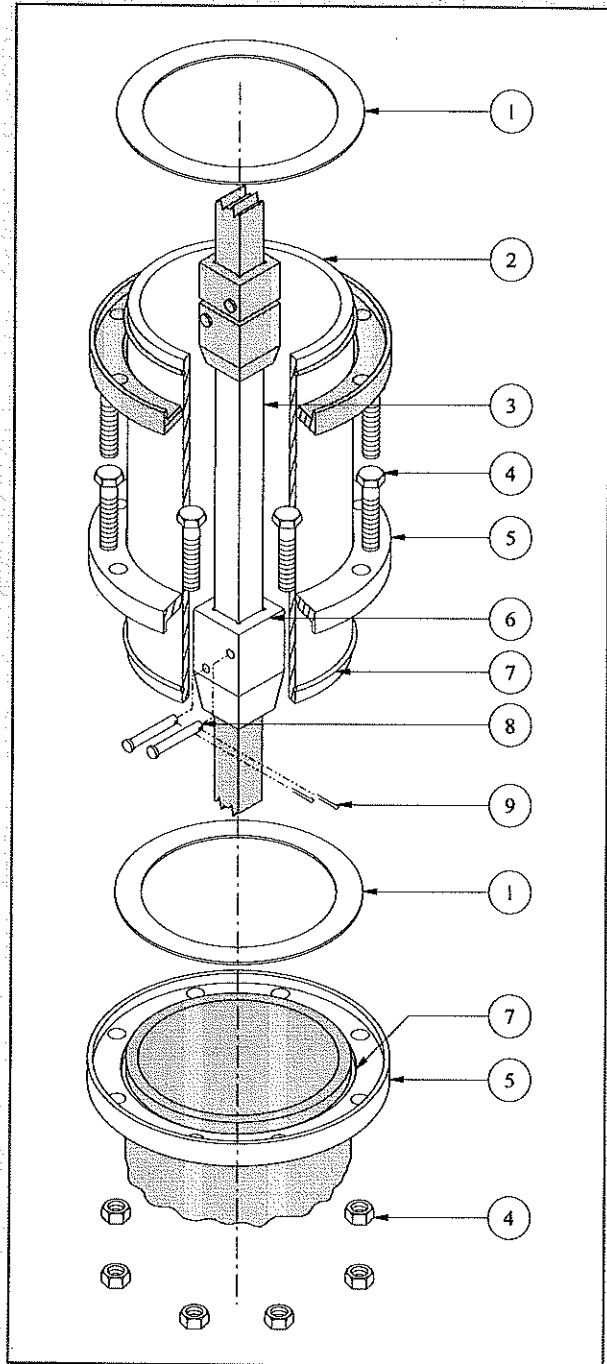
ITEM NUMBER	DESCRIPTION	MATERIAL	QTY.
1	Flange Gasket	Neoprene	2
2	Extension Barrel	Ductile Pipe	1
3	Extension Stem	Steel	1
4	Bolt & Nut	Zinc-Plated Steel	8
5	Unbreakable Flange	Ductile Iron	2
6	Extension Stem Coupling	Cast Iron	1
7	Snap Ring	Stainless Steel	2
8	Clevis Pin	Stainless Steel	2
9	Cotter Pin	Stainless Steel	2

SIZE: 5 1/4" or 6" Main Valve Opening

HRPI Products are engineered and manufactured using the latest computerized technology to ensure quality products with repeatable tolerances.

HRPI Guarantees this product to be compatible, and will operate with the fire hydrant when installed properly. The use of this product shall not affect any published warranties available to the buyer.

PRODUCTS MEET OR EXCEED THE AWWA C502 STANDARD FOR DRY-BARREL FIRE HYDRANTS.



FAX: (918) 224-6857

**Hydrant Repair Parts, Inc.**

7900 New Sapulpa Road, Tulsa, OK 74131 • (918) 224-8713

1-800-776-8713 or 1-800-548-9123

American-Darling is a registered trademark of American Flow Control, a division of American Cast Iron Pipe Co., Birmingham, AL. Hydrant Repair Parts, Inc. is not affiliated with American Flow Control.