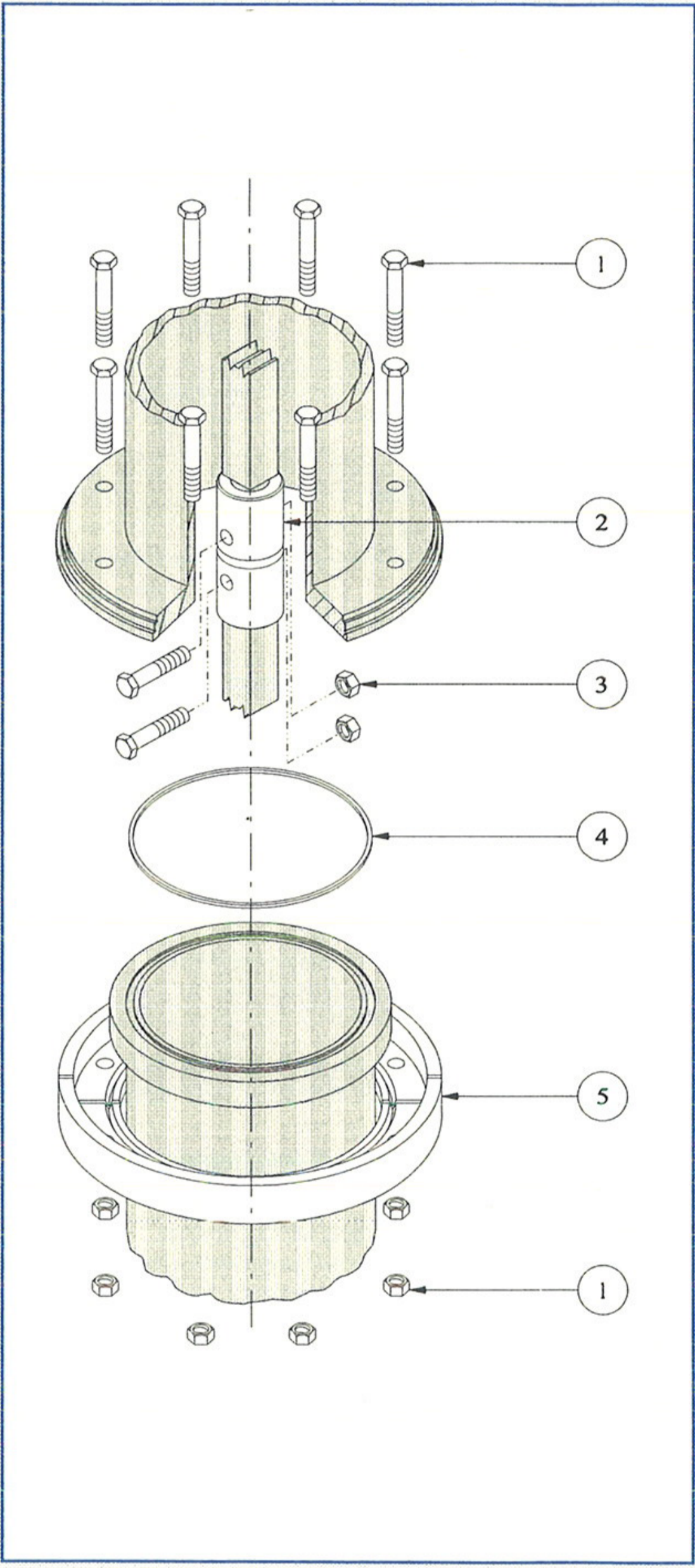


S P E C I F I C A T I O N S

ITEM NUMBER	DESCRIPTION	MATERIAL	QTY.
①	Bolt & Nut	Zinc-Plated Steel	8
②	Breakable Stem Coupling	Cast Iron	1
③	Coupling Bolt & Nut	Stainless Steel	2
④	Standpipe "O"-Ring	Lathe-Cut Buna-N Rubber	1
⑤	Standpipe Safety Flange (HALF CIRCLE)	Cast Iron	2

SIZE: 4 7/8" or 5 1/4" Main Valve Opening



HRPI Products are engineered and manufactured using the latest computerized technology to ensure quality products with repeatable tolerances.

HRPI Guarantees this product to be compatible, and will operate with the fire hydrant when installed properly. The use of this product shall not affect any published warranties available to the buyer.

PRODUCTS MEET OR EXCEED THE AWWA C502 STANDARD FOR DRY-BARREL FIRE HYDRANTS.



FAX: (918) 224-6857

Hydrant Repair Parts, Inc.

7900 New Sapulpa Road, Tulsa, OK 74131 • (918) 224-8713

1-800-776-8713 or 1-800-548-9123

U.S. Pipe is a registered trademark of U.S. Pipe & Foundry Co., Birmingham, AL.
Hydrant Repair Parts, Inc., is not affiliated with U.S. Pipe & Foundry Co.