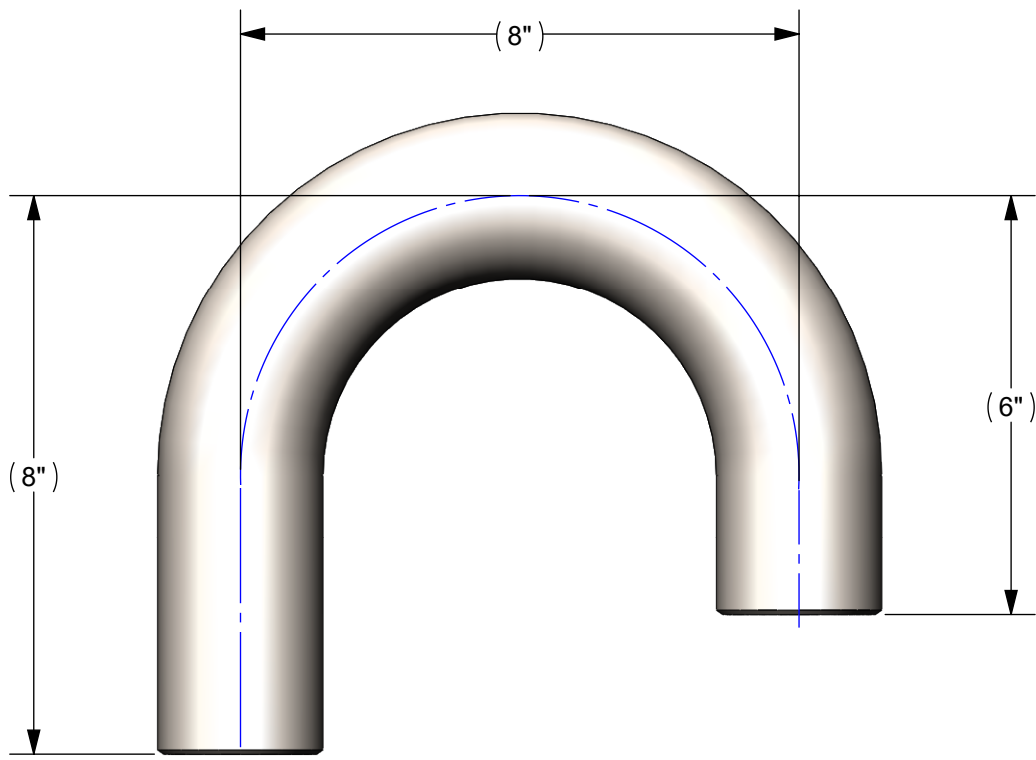
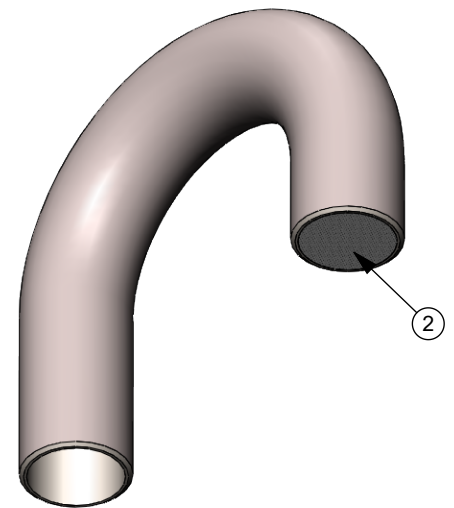
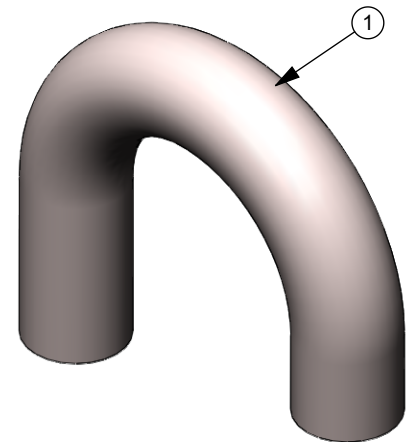



	PART #	OLD PART #	CATEGORY	TYPE	DESCRIPTION	QTY
1	UFBD-00000375	U05045	Fabricated Part	Bend	2" S40 x 6" x 8" x 8", R&C, A-53	1
2	UCSC-00005016	U12006	Component Part	Screen	SCREEN ELL 2"	1
3	USLB-00003933	U01105	Shipping-Packaging Part	Label	4" x 5", Box Label	.100
4	USBX-00001440	U09001	Shipping-Packaging Part	Box	16" x 12 1/2" x 11 1/4", UB	.100
5	USPL-00000367	U10014	Shipping-Packaging Part	Pallet	YRM-3, 4-Way, 40" x 48"	.004



Cut To Dimensions At Weld Shop



Rev	Change Description	Date
P02	Add U01105, update paint color, U10014 was U10012	1/24/2024
P01	Initial release.	04/14/2015

 UPSCO INC PO Box 431 - 67 Central St Moravia, NY 13118 P: 315.497.1070 F: 315.497.0223 www.UPSCOINC.COM	UPSCO #: U30220	Description: #URBW-20		Customer: Utility Products Specialists Co., Inc. (UPSCO)		
	Drawing Type: Production	Pipe Dope: N/A	Primer: Alkyd, Blue		TOLERANCES	
	Product Type: Assembly - Vent	Test Pressure: 0 - @ 0 -	Paint: N/A			
	Drawing Date: 01/24/2024	Manometer: N/A	Packaging: 10 per Box / 36 Box per		FRACTIONS ±1/8" ANGLES ±1° *BREAK AND DEBURR ALL SHARP EDGES*	
	Drawing Rev. P02	Page Number: 1 of 1	Drawing Author: Robert Bowker			

Copyright 2023 ~ Utility Products Specialists Company Inc.
 UPSCO Incorporated claims propriety rights to the materials disclosed herein. This material is disclosed in confidence and may not be reproduced or used to manufacture anything or referred to herein, without the direct written permission of UPSCO Incorporated. In consideration of the use of this drawing, user agrees that it shall be treated as confidential material, that it shall be returned upon request, and if the contents thereof shall not be disposed of directly or indirectly, nor shall it be used for any purpose other than for which it was specifically furnished, except by written permission of UPSCO Incorporated.