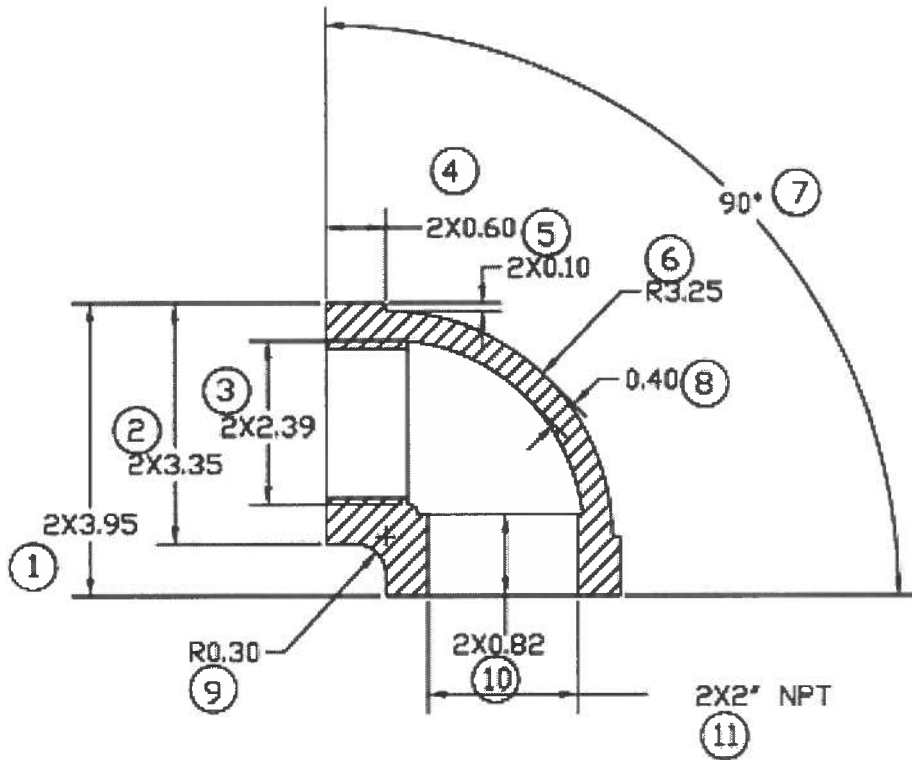
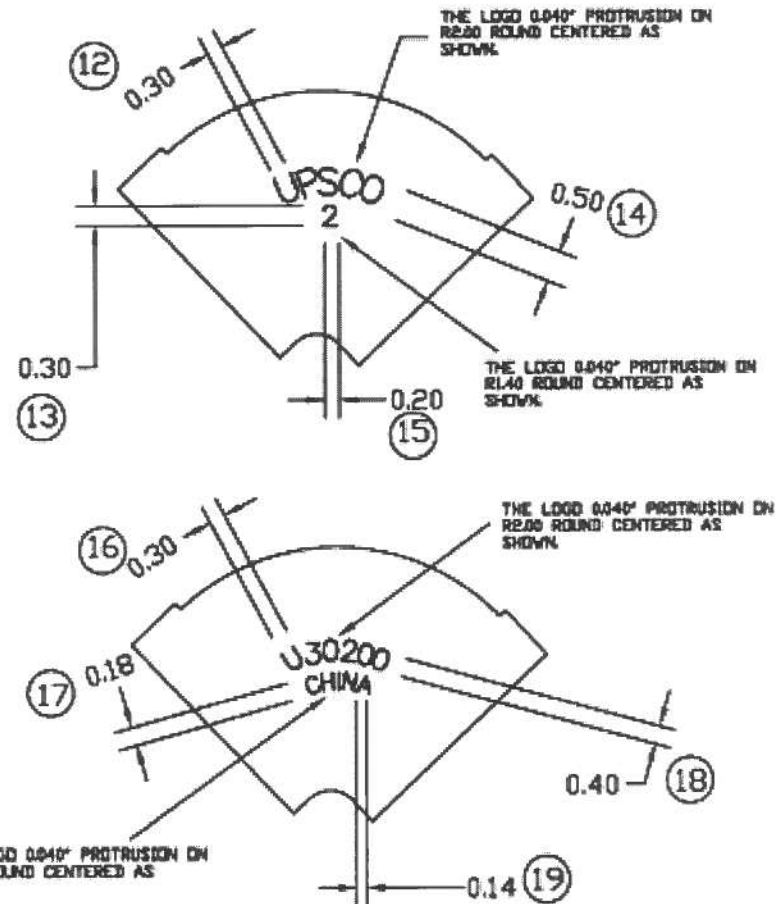


PROPRIETARY INFORMATION  
DO NOT DISTRIBUTE



NOTES:

- 1) MATERIAL: A356 ALUMINUM SAND CASTING
- 2) PARTS TO BE FREE OF BURRS AND SHARP EDGES.
- 3) ALL UNSPECIFIED RADIUS ARE 0.1\"



REVISIONS 1 DIMENSIONS ARE IN INCHES TOLERANCES ON DECIMALS OTHER SEE 4-2000 200 4-2000	APPROVALS DATE DESIGNED CHECKED ENGINEER MFG PROJ ETC	DATE REVISED 01/15/2000 - - - - - -	<b>UPSCO</b> UPSCO GAS VENT ELBOWS	
	SIZE U30200	PART NO. U30200	SHEET NO. 1 WT	SHEET 1 OF 1