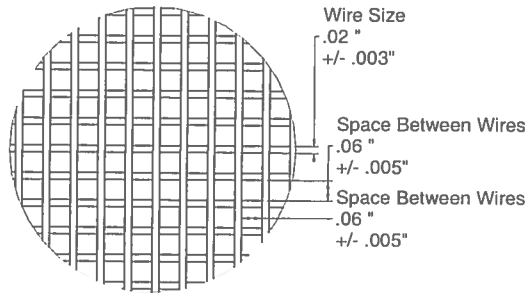
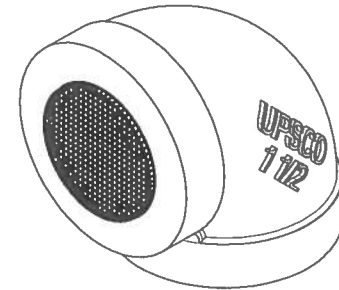
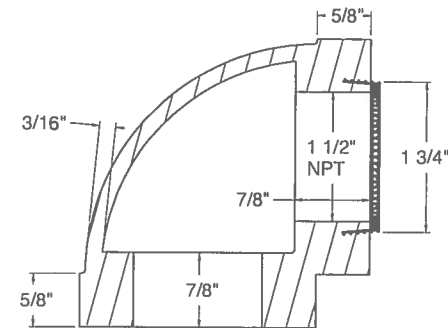
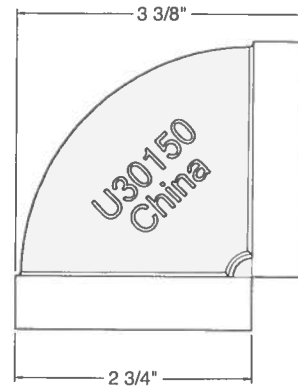
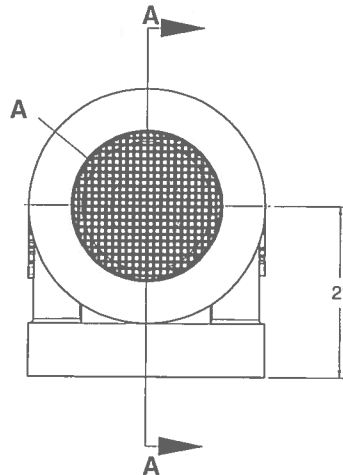
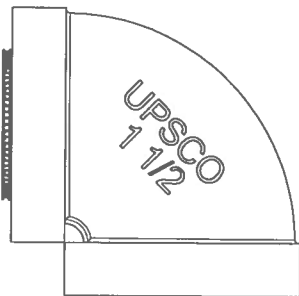


UPSCO Inc. 1 1/2" Aluminum Gas Vent Elbow U30150



Detail A



Section A-A
Threads Not Shown

#	Part Name	U#	Qty	Comment
1	1 1/2" Aluminum Elbow - 90 Deg	U12021	1	Casted Part, Exact Dimesions May Vary
2	1 1/2" S.S. Screen	U12010	1	Drawing Shows Visual Representation
3	Vent Label	U13048	1	Not Shown In Drawing



Utility Products Specialists Company Inc.
67 Central Street / P.O. Box 431
Moravia, NY 13118
Tel. 315.497.1070
UpscoInc.com

UPSCO Inc
Customer # : N/A
UPSCO Part # : U30150
Test Pressure : N/A
Pipe Dope : N/A

Drawing Of : 1 1/2" Gas Vent Elbow
Drawing Type : Schematic
Date : April 28th, 2010
Drawing By : Dominic Nelson
Approved By :

NOTES :

UPSCO Incorporated claims propriety rights to the materials disclosed herein. This material is disclosed in confidence and may not be reproduced or used to manufacture anything or referred to herein, without the direct written permission of UPSCO Incorporated. In consideration of the use of this drawing, user agrees that it shall be treated as confidential material, that it shall be returned upon request, and if the contents thereof shall not be disposed of directly or indirectly, nor shall it be used for any purpose other than for which it was specifically furnished, except by written permission of UPSCO Incorporated.