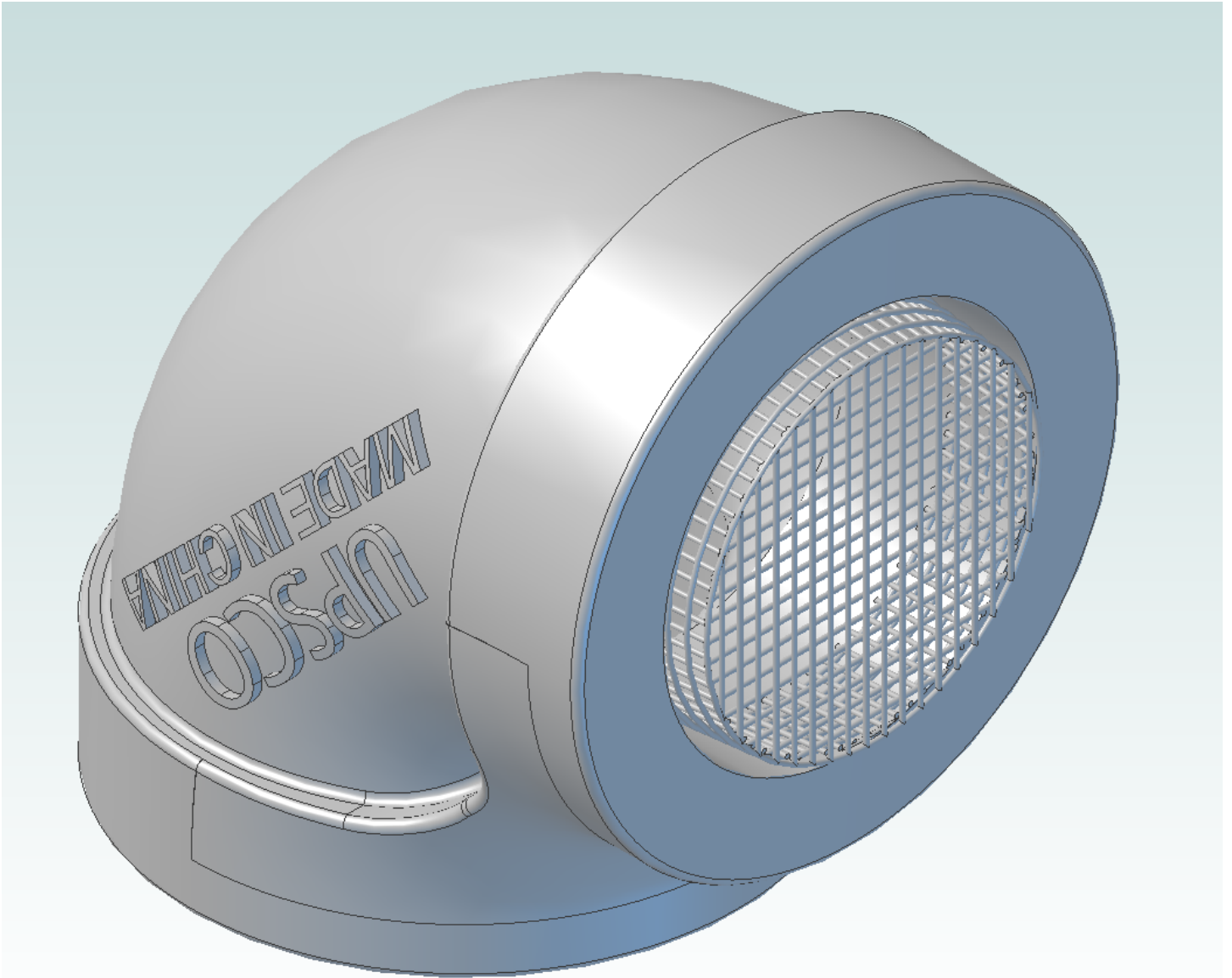
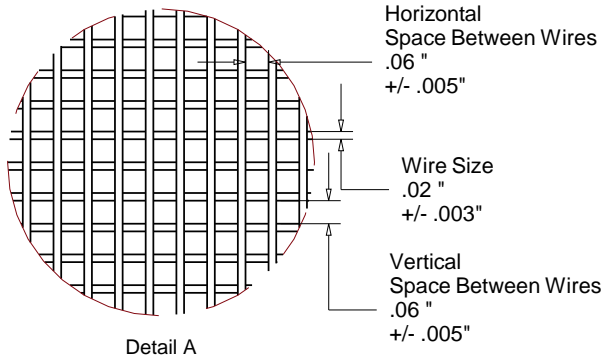
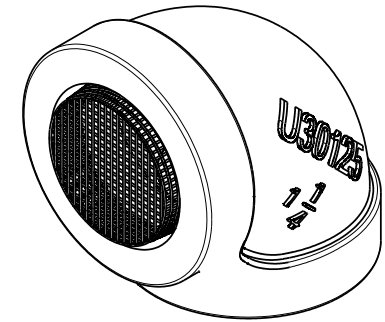
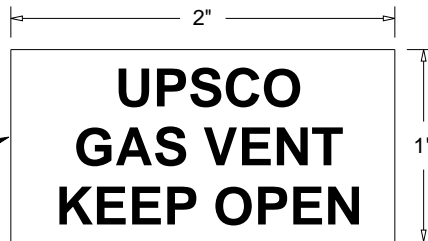
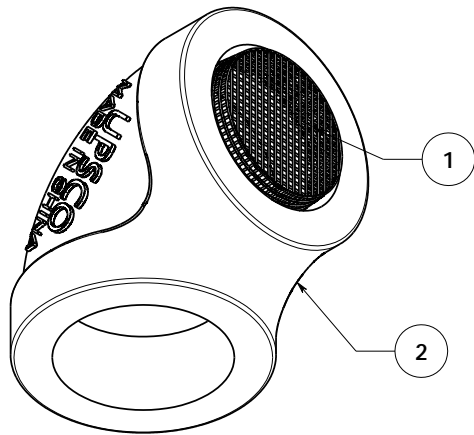


U30125 - 1 1/4" Gas Vent Elbow

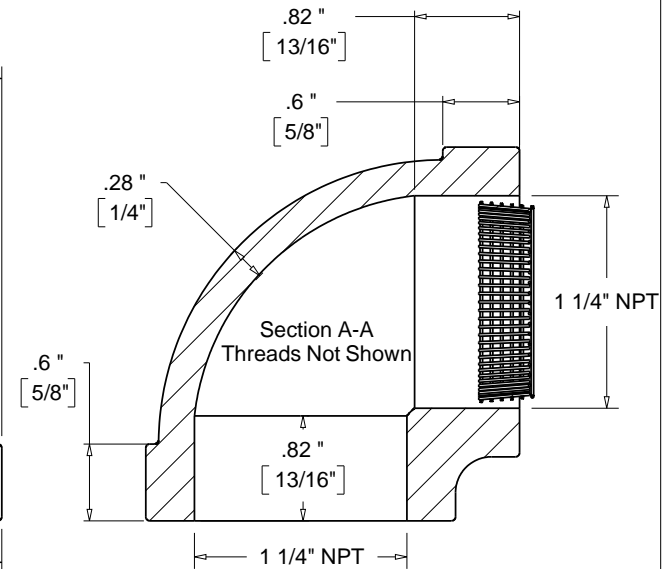
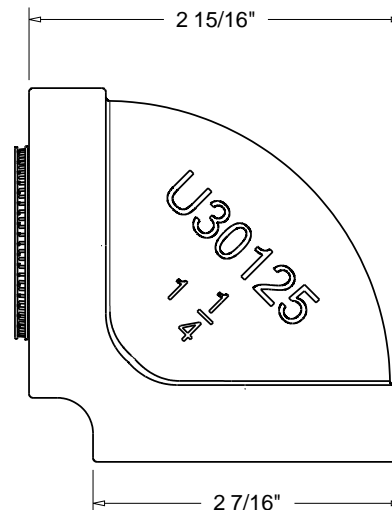
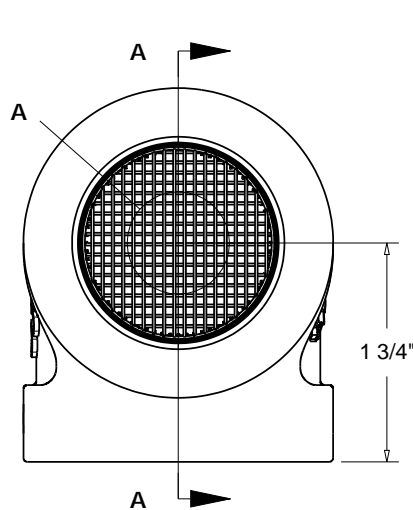
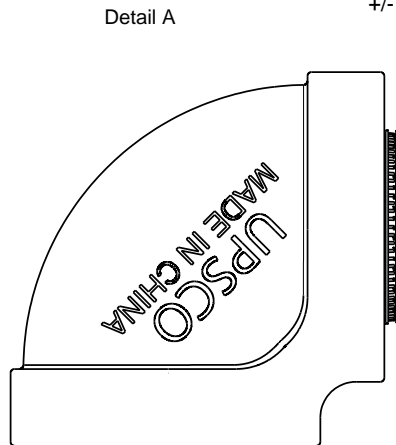


UPSCO Inc.

1 1/4" Aluminum Gas Vent Elbow U30125



#	UPSCO #	Part Type	Description	Qty	Comment
1	U12004	Screen	1 1/4"	1	Casted Part - Dimensions may vary.
2	U13048	Elbow	Aluminum - 1 1/4"	1	Drawing shows visual representation
3	U12020	Label	Sticker	1	



UPSCO Inc
67 Central Street
Moravia, NY 13118
Tel: 315.497.1070
UpscoInc.com

UPSCO Inc
UPSCO #: U30125
Test Pressure: N/A
Pipe Dope: None

Drawing Of: 1 1/4" Gas Vent Elbow
Drawing Type: Schematic
Drawing Date: March 22nd, 2011
Drawing By: Dominic Nelson
Approved By:

Notes: