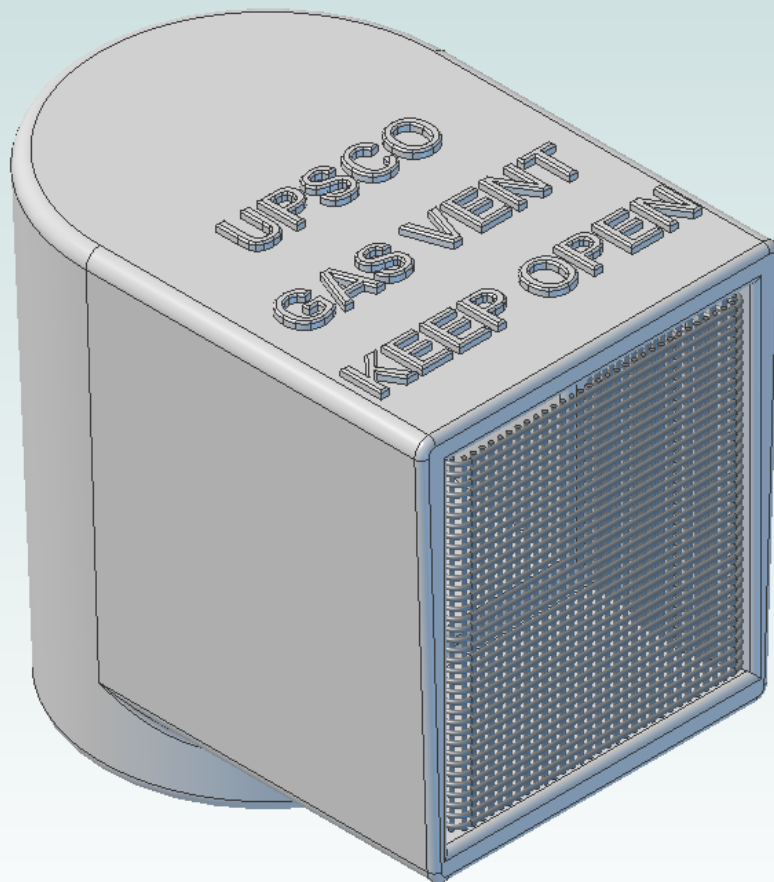
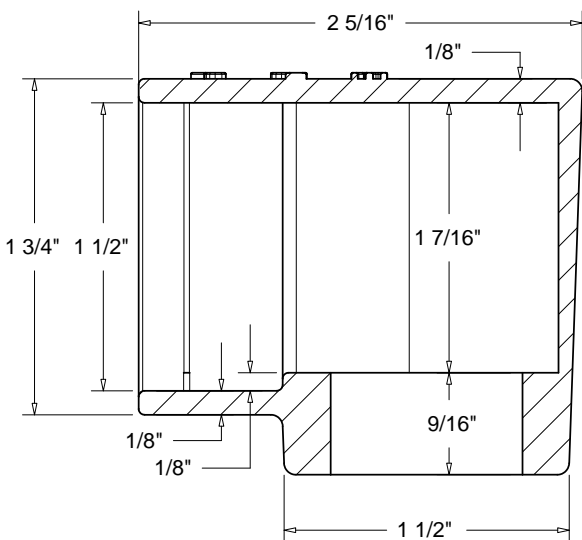
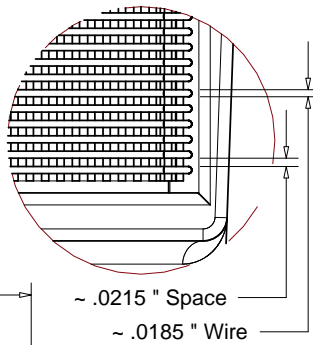
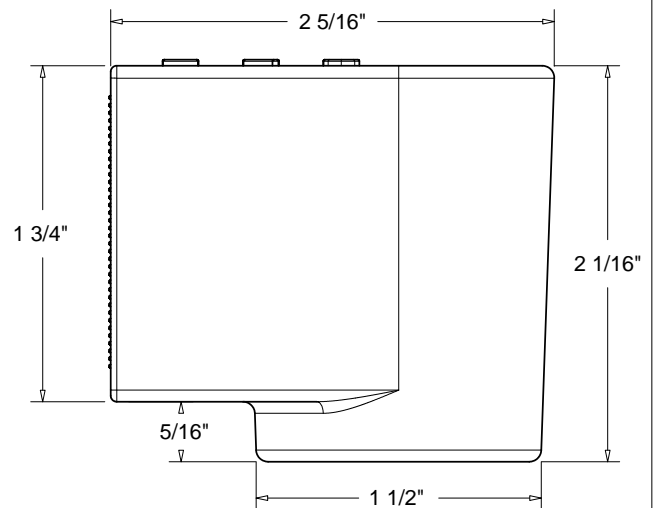
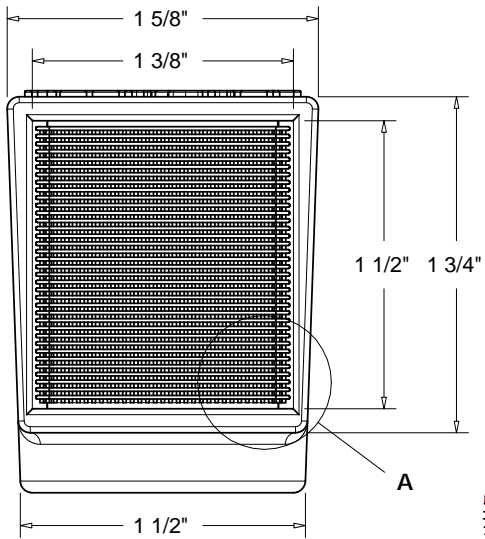
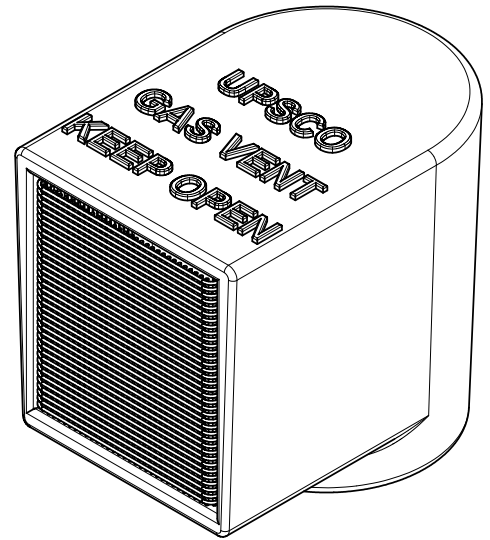
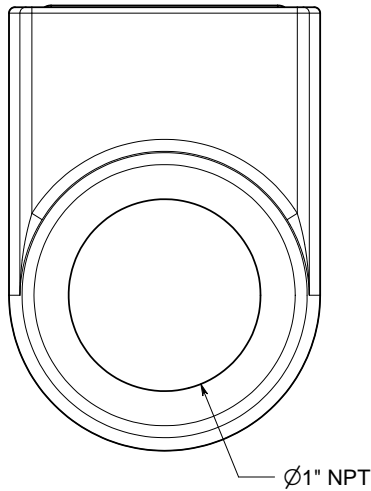
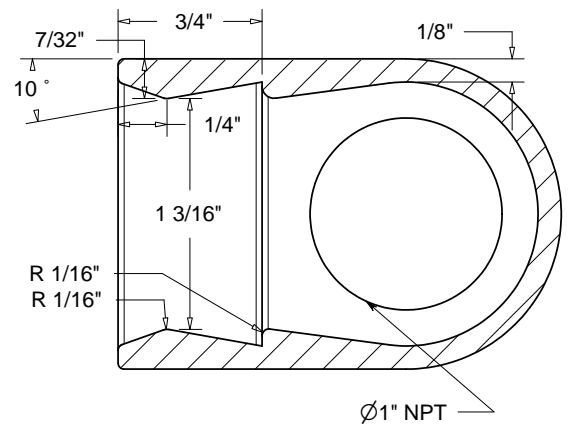
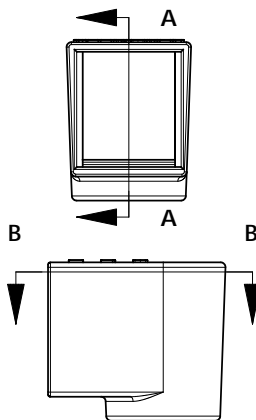


U30100 - 1" Blow Vent





Detail A



Section B-B

Section A-A



UPSCO Inc.
67 Central Street
Moravia, NY 13118
Tel: 315.497.1070
Upscolnc.com

UPSCO Inc

Customer #: N/A
UPSCO #: U30100
Test Pressure: N/A
Pipe Dope: N/A

Drawing Of: UPSCO Blow Vent
Drawing Type: Schematic
Drawing Date: June 24th, 2010
Drawing By: Dominic Nelson
Approved By:

Notes:

Copyright 2010 - Utility Products Specialists Company Inc.

UPSCO Incorporated claims propriety rights to the materials disclosed herein. This material is disclosed in confidence and may not be reproduced or used to manufacture anything or referred to herein, without the direct written permission of UPSCO Incorporated. In consideration of the use of this drawing, user agrees that it shall be treated as confidential material, that it shall be returned upon request, and if the contents thereof shall not be disposed of directly or indirectly, nor shall it be used for any purpose other than for which it was specifically furnished, except by written permission of UPSCO Incorporated.