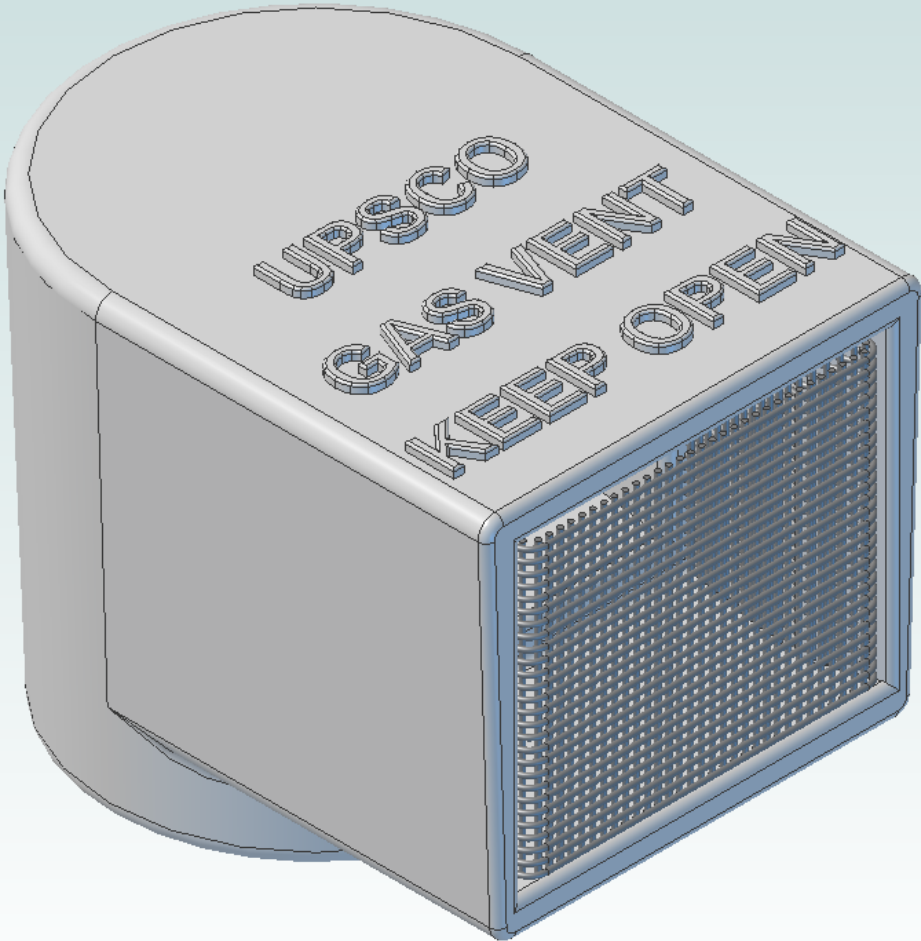
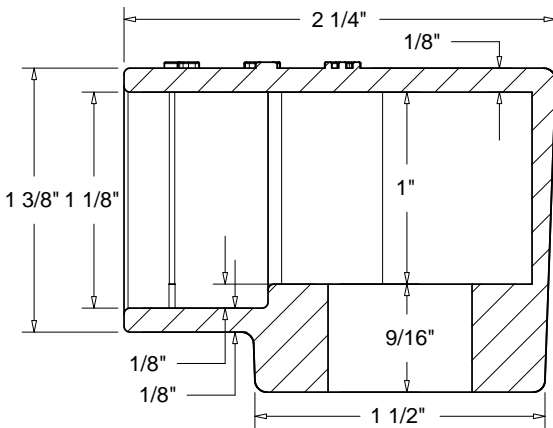
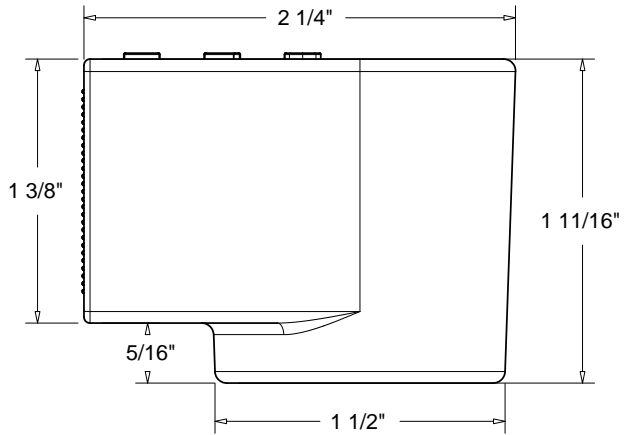
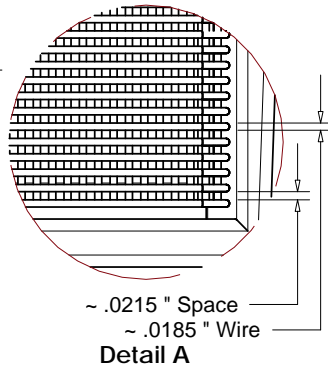
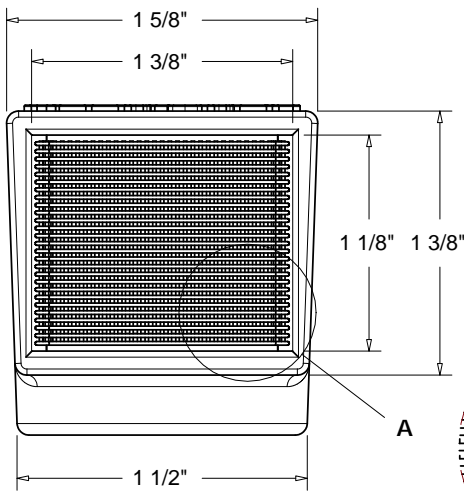
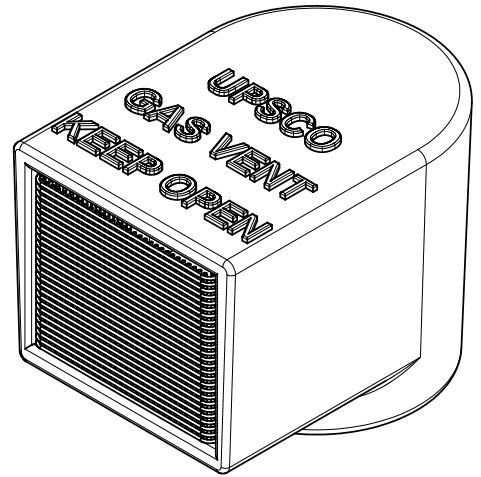
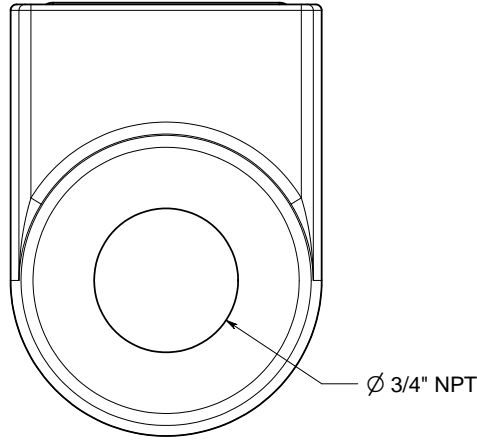
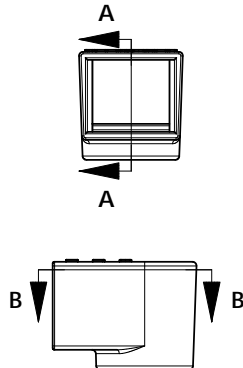


U30000 - 3/4" Blow Vent





Section A-A



Section B-B

Ø 3/4" NPT



UPSCO Inc.  
67 Central Street  
Moravia, NY 13118  
Tel: 315.497.1070  
Upscolnc.com

**UPSCO Inc**

Customer #: N/A  
UPSCO #: U30000  
Test Pressure: N/A  
Pipe Dope: N/A

Drawing Of: UPSCO Blow Vent  
Drawing Type: Schematic  
Drawing Date: June 24th, 2010  
Drawing By: Dominic Nelson  
Approved By:

Notes:

Copyright 2010 - Utility Products Specialists Company Inc.

UPSCO Incorporated claims propriety rights to the materials disclosed herein. This material is disclosed in confidence and may not be reproduced or used to manufacture anything or referred to herein, without the direct written permission of UPSCO Incorporated. In consideration of the use of this drawing, user agrees that it shall be treated as confidential material, that it shall be returned upon request, and if the contents thereof shall not be disposed of directly or indirectly, nor shall it be used for any purpose other than for which it was specifically furnished, except by written permission of UPSCO Incorporated.