

EXTENSION KITS FOR  M & H 6-129 (NEW STYLE) FIRE HYDRANTS

SPECIFICATIONS

ITEM NUMBER	DESCRIPTION	MATERIAL	QTY.
1	Flange "O"-Ring	Buna-N Rubber	1
2	Extension Barrel	Ductile Iron	1
3	Extension Stem	Steel	1
4	Non-Breakable Bolt & Nut	Zinc-Plated Steel	8
5	Extension Stem Coupling	Cast Iron	1
6	Coupling Bolt & Nut	Stainless Steel	2
7	Flange Gasket	Cloth-Inserted SBR Rubber	2
8	Extension Flange (HALF-CIRCLE)	Ductile Iron	2
9*	Breakable Bolt & Nut (NOT SHOWN)	Zinc-Plated Steel	8

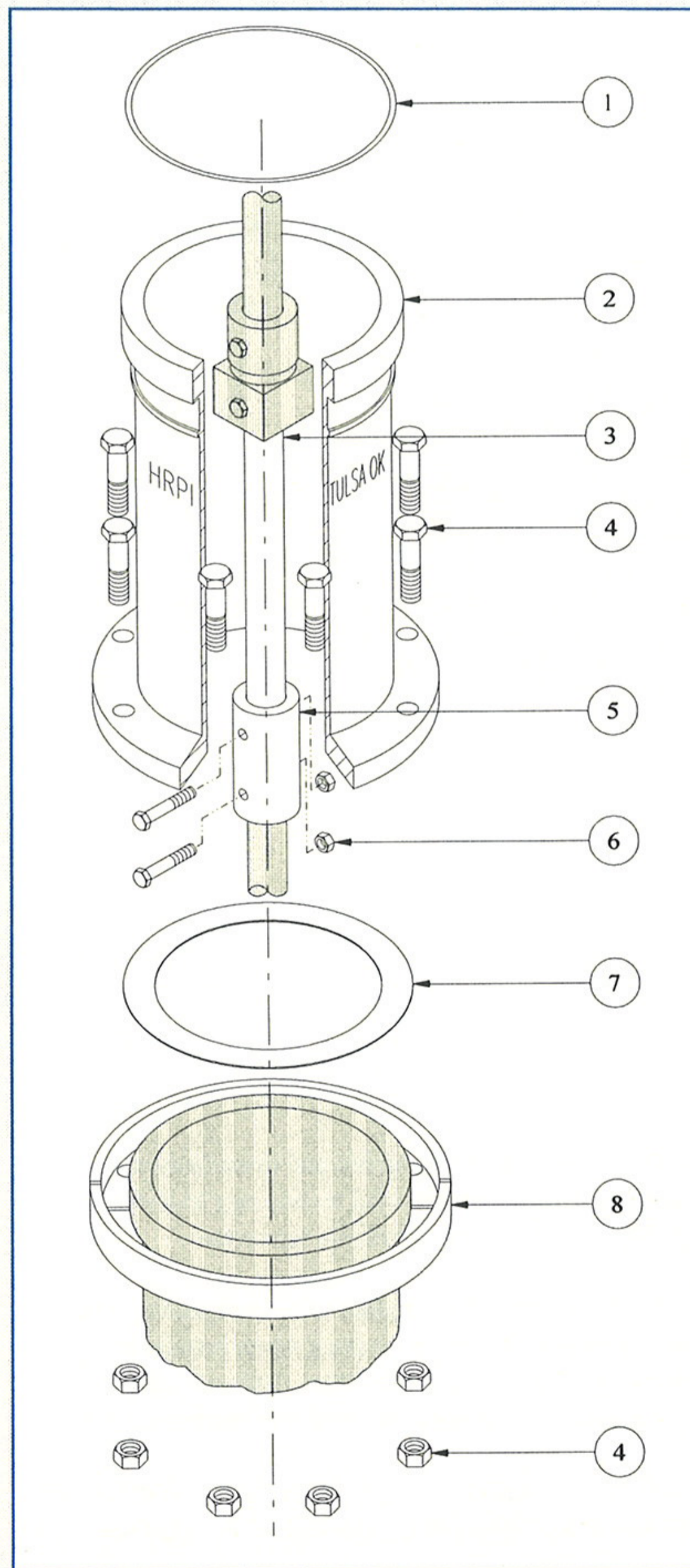
SIZE: 4½" or 5¼" Main Valve Opening

*Required when installing on M & H 129 (Old Style) fire hydrant.

HRPI Products are engineered and manufactured using the latest computerized technology to ensure quality products with repeatable tolerances.

HRPI Guarantees this product to be compatible, and will operate with the fire hydrant when installed properly. The use of this product shall not affect any published warranties available to the buyer.

PRODUCTS MEET OR EXCEED THE AWWA C502 STANDARD FOR DRY-BARREL FIRE HYDRANTS.



FAX: (918) 224-6857

Hydrant Repair Parts, Inc.

7900 New Sapulpa Road, Tulsa, OK 74131 • (918) 224-8713

1-800-776-8713 or 1-800-548-9123