

EXTENSION KITS FOR  KENNEDY K81A GUARDIAN FIRE HYDRANTS

## SPECIFICATIONS

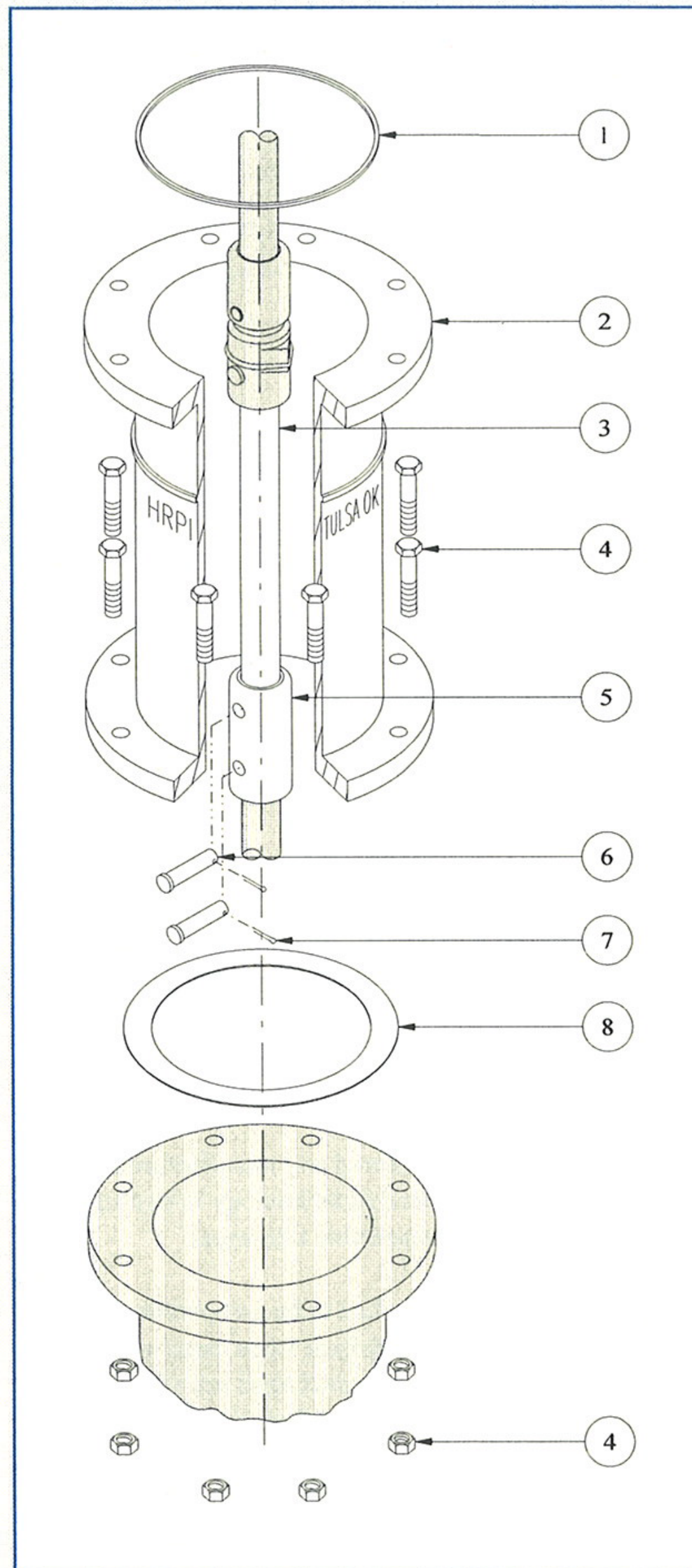
ITEM NUMBER	DESCRIPTION	MATERIAL	QTY.
1	Standpipe "O"-Ring	Lathe-Cut Buna-N Rubber	1
2	Extension Barrel	Ductile Iron	1
3	Extension Stem	Steel	1
4	Bolt & Nut	Zinc-Plated Steel	8
5	Extension Stem Coupling	Cast Iron	1
6	Clevis Pin	Stainless Steel	2
7	Cotter Pin	Stainless Steel	2
8	Flange Gasket	Cloth-Inserted SBR Rubber	1
9	Bonnet Gasket (NOT SHOWN)	Cloth-Inserted SBR Rubber	1

SIZE: 4½" or 5¼" Main Valve Opening

HRPI Products are engineered and manufactured using the latest computerized technology to ensure quality products with repeatable tolerances.

HRPI Guarantees this product to be compatible, and will operate with the fire hydrant when installed properly. The use of this product shall not affect any published warranties available to the buyer.

PRODUCTS MEET OR EXCEED THE AWWA C502 STANDARD FOR DRY-BARREL FIRE HYDRANTS.



FAX: (918) 224-6857

# Hydrant Repair Parts, Inc.

7900 New Sapulpa Road, Tulsa, OK 74131 • (918) 224-8713

1-800-776-8713 or 1-800-548-9123