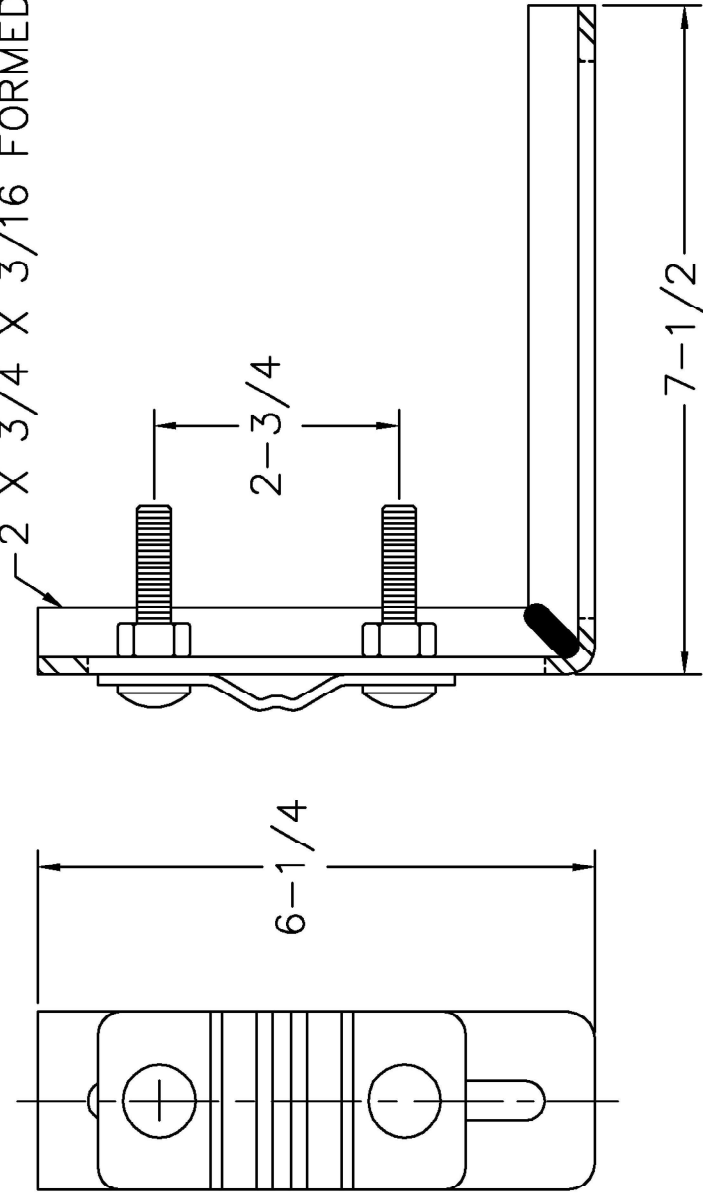


2 X 3/4 X 3/16 FORMED CHANNEL



CUSTOMER APPROVAL:	DRAWN BY:	SCALE:	TITLE:	
	JAS	NONE	7" ANGLE BRACKET	
	CHECKED BY:	DATE:	MATERIAL:	PART NUMBER:
		12/22/05	7 GA. CARBON STEEL	UCBR-00003827
				REV.