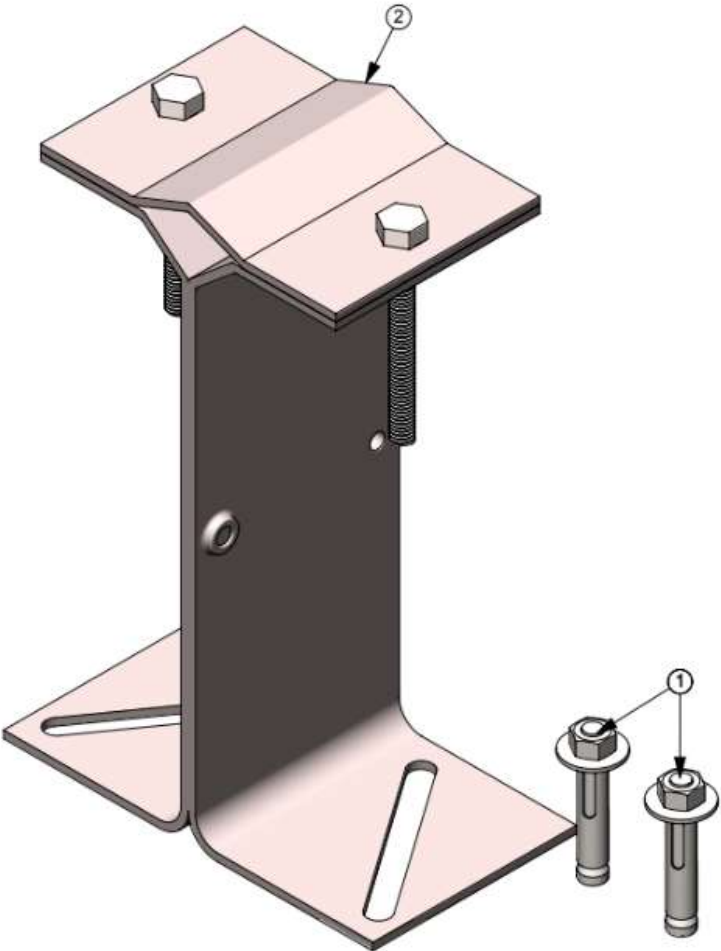


U11200



	PART #	OLD PART #	CATEGORY	TYPE	DESCRIPTION	QTY
1	UCHW-00000913	U11026	Component Part	Hardware - Anchor	3/8" x 1 7/8"	2
2	UCBR-00004427	U11200	Component Part	Bracket	BRACKET #UBK-T9	1