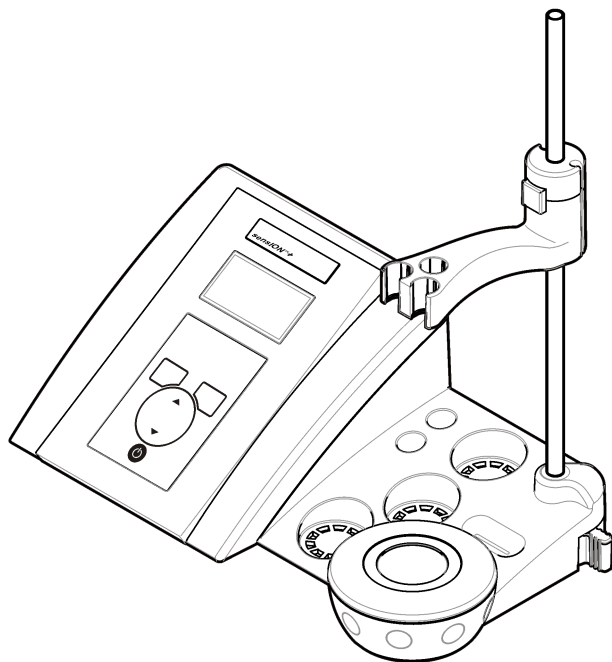




DOC022.97.90248

sensION™ + pH3

12/2015, Edition 4



User Manual
Manuel d'utilisation
Manual del usuario
Manual do Usuário
用户手册
取扱説明書
사용 설명서
ရှမ်းစာအုပ်

English.....	3
Français.....	15
Español.....	27
Português.....	39
中文.....	51
日本語.....	61
한글.....	73
ไทย.....	85

Specifications

Specifications are subject to change without notice.

Specification	Details
Dimensions	35 x 20 x 11 cm (13.78 x 7.87 x 4.33 in.)
Weight	1100 g (2.43 lb)
Meter enclosure	IP42
Power requirements (external)	100–240 V, 0.4 A, 47–63 Hz
Meter protection class	Class II
Storage temperature	–15 to +65 °C (5 to +149 °F)
Operating temperature	0 to 40 °C (41 to 104 °F)
Operating humidity	< 80% (non-condensing)
Resolution	pH: 0.01, ORP: 1 mV, temperature: 0.1 °C (0.18 °F)
Measuring error (± 1 digit)	pH: ≤ 0.01, ORP: ≤ 1 mV, temperature: ≤ 0.2 °C (≤ 0.36 °F)
Reproducibility (± 1 digit)	pH: ± 0.01, ORP: ± 1 mV, temperature: ± 0.1 °C (± 0.18 °F)
Connections	Combined or indicator probe: BNC connector (Imp. >10 ¹² Ω); Reference electrode: banana connector; A.T.C. type Pt 1000: banana or telephonic connector; magnetic stirrer: RCA connector
Temperature correction	Manual, Pt 1000 temperature probe (A.T.C.), NTC 10 kΩ probe
Measurement display lock	Continuous measurement, by stability
Display	Liquid crystal, backlit, 128 x 64 dots

Specification	Details
Keyboard	PET with protective treatment
Certification	CE

General information

Revised editions are found on the manufacturer's website.

Safety information

NOTICE

The manufacturer is not responsible for any damages due to misapplication or misuse of this product including, without limitation, direct, incidental and consequential damages, and disclaims such damages to the full extent permitted under applicable law. The user is solely responsible to identify critical application risks and install appropriate mechanisms to protect processes during a possible equipment malfunction.

Please read this entire manual before unpacking, setting up or operating this equipment. Pay attention to all danger and caution statements. Failure to do so could result in serious injury to the operator or damage to the equipment.

Make sure that the protection provided by this equipment is not impaired. Do not use or install this equipment in any manner other than that specified in this manual.

Use of hazard information

▲ DANGER

Indicates a potentially or imminently hazardous situation which, if not avoided, will result in death or serious injury.

▲ WARNING

Indicates a potentially or imminently hazardous situation which, if not avoided, could result in death or serious injury.

⚠ CAUTION



Indicates a potentially hazardous situation that may result in minor or moderate injury.

NOTICE

Indicates a situation which, if not avoided, may cause damage to the instrument. Information that requires special emphasis.

Precautionary labels

Read all labels and tags attached to the instrument. Personal injury or damage to the instrument could occur if not observed. A symbol on the instrument is referenced in the manual with a precautionary statement.

	This symbol, if noted on the instrument, references the instruction manual for operation and/or safety information.
	Electrical equipment marked with this symbol may not be disposed of in European domestic or public disposal systems. Return old or end-of-life equipment to the manufacturer for disposal at no charge to the user.

Product overview

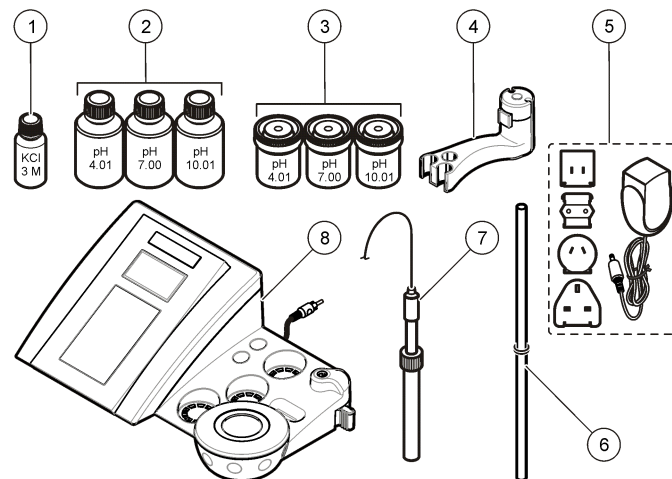
The sensION™+ meters are used with probes to measure various parameters in water.

The sensION™+ PH3 meter measures pH, ORP (mV) or temperature.

Product components

Refer to [Figure 1](#) to make sure that all components have been received. If any items are missing or damaged, contact the manufacturer or a sales representative immediately.

Figure 1 Meter components

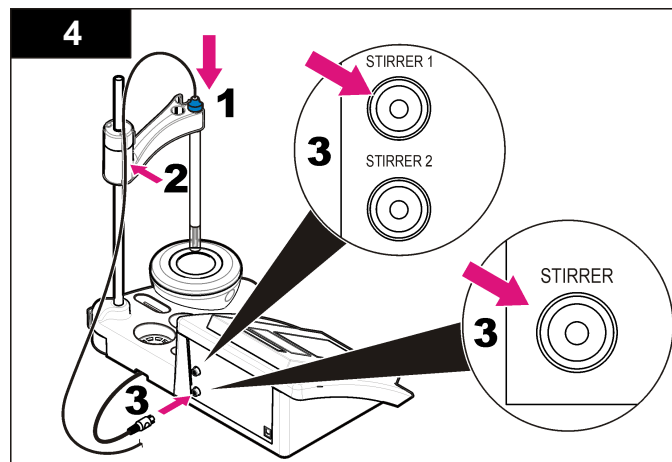
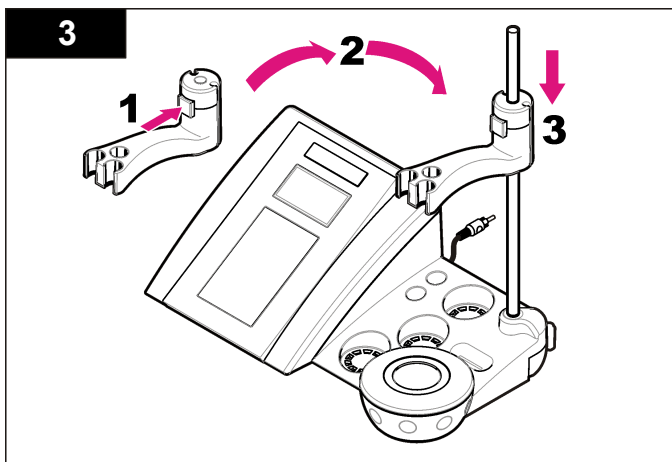
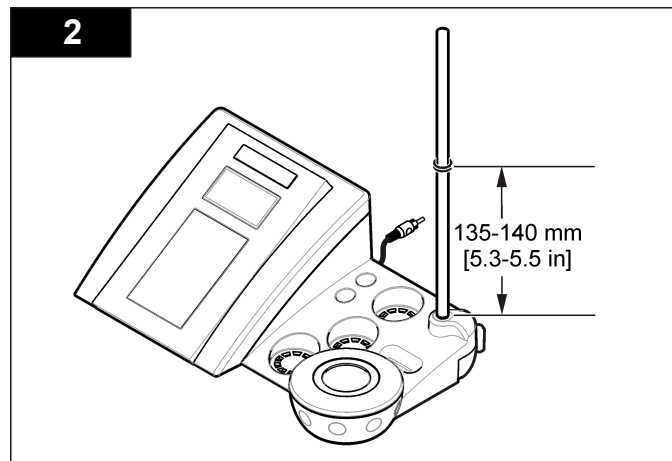
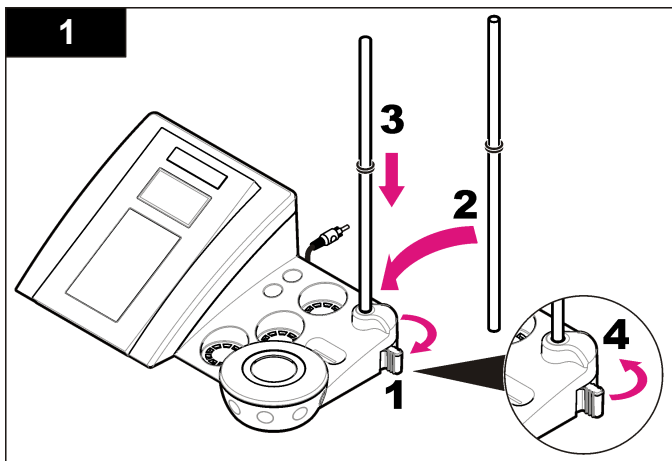


1 Electrolyte for the probe	5 Power supply
2 Buffer solutions (pH 4.01, pH 7.00 and pH 10.01)	6 Rod with o-ring
3 Calibration beakers (with magnetic bar inside)	7 Probe (included with kits only)
4 Probe holder	8 Meter

Installation

Assemble the probe holder

Follow the numbered steps to assemble the probe holder and to connect the magnetic stirrer.



Connect to AC power

⚠ DANGER

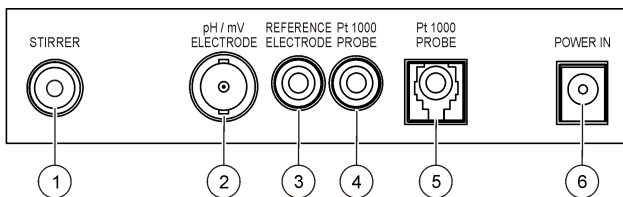


Electrocution hazard. If this equipment is used outdoors or in potentially wet locations, a Ground Fault Circuit Interrupt (GFCI/GFI) device must be used to connect the equipment to its main power source.

The meter can be powered by AC power with the universal power adapter.

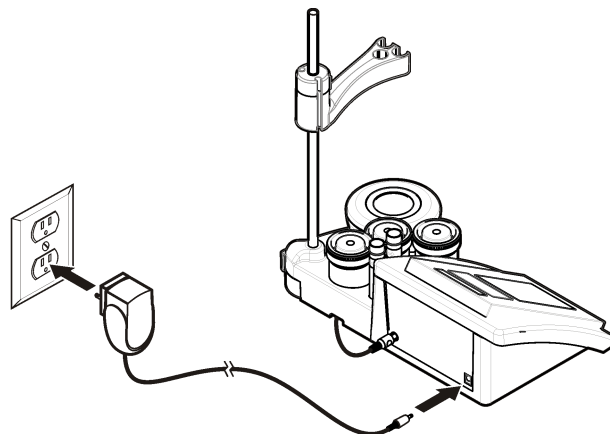
1. Select the correct adapter plug for the power outlet from the adapter kit.
2. Connect the universal power adapter to the meter (Figure 2).
3. Connect the universal power adapter to an AC receptacle (Figure 3).
4. Turn the meter on.

Figure 2 Connector panel



1 Magnetic stirrer connector	4 Temperature probe connector
2 Combined pH electrode (or indicator) connector	5 Separated temperature probe connector
3 Reference electrode (separated electrodes) connector	6 Power supply

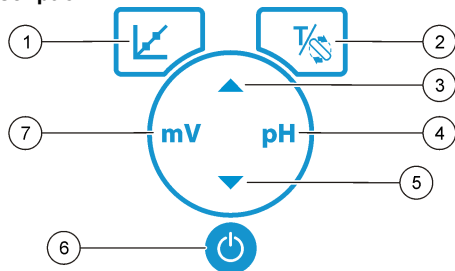
Figure 3 AC power connection



User interface and navigation

User interface

Keypad description

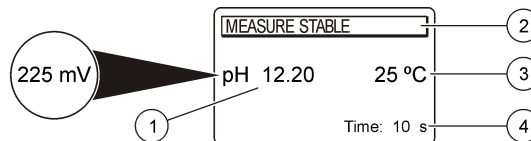


1 CALIBRATION key: start a calibration , view calibration data and change the calibration frequency	5 DOWN key: scroll to other options, change a value
2 TEMPERATURE and STIRRER key: change the temperature (°C, °F) or the stirring speed	6 ON/OFF: turn on or turn off the meter
3 UP key: scroll to other options, change a value	7 mV measurement key: start a ORP (mV) measurement
4 pH measurement key: start a pH measurement	

Display description

The meter display shows the concentration, units, temperature, calibration status, date and time.

Figure 4 Single screen display



1 Measurement unit and value (pH, ORP (mV))	3 Sample temperature (°C or °F)
2 Measurement mode or time and date	4 Visual measurement timer

Navigation

Use the calibrate key to calibrate the probe. Use the parameter key to take a sample measurement. Use the TEMPERATURE and STIRRER key to change the temperature (°C, °F) or the stirring speed. Use the arrow keys to scroll to other options or to change a value. Be sure to look at the display during tasks as the screens change quickly. Refer to each task for specific instructions.

Startup

Turn the meter on and off

NOTICE

Make sure that the probe is connected to the meter before the meter is turned on.

Push to turn on or turn off the meter. If the meter does not turn on, make sure that the AC power supply is properly connected to an electrical outlet.

Change the language



The display language is selected when the meter is powered on for the first time.

Use the ▲ or ▼ to select a language from a list. The meter returns automatically to the measurement screen after 3 seconds.

Note: ▲ To change the language from the main menu, push .

Standard operation

Calibration

▲ DANGER	
 	Chemical exposure hazard. Obey laboratory safety procedures and wear all of the personal protective equipment appropriate to the chemicals that are handled. Refer to the current safety data sheets (MSDS/SDS) for safety protocols.

Calibration procedure

This procedure is for general use with liquid calibration solutions. Refer to the documents that are included with each probe for additional information.

Note: Solutions should be stirred during calibration. For more information about the stirring settings, refer to [Change the stirring settings](#) on page 9.

1. Pour the buffers or calibration solutions into the labeled calibration beakers.
2. From the main menu push ↵ to select pH or mV calibration.
3. Rinse the probe with deionized water and put the probe into the first calibration beaker. Be sure that there are no air bubbles in the membrane.
4. Push ↵ to measure the first calibration solution. The next calibration solution is shown.
5. Rinse the probe with deionized water and put the probe into the second calibration beaker. Be sure that there are no air bubbles in the membrane.
6. Push ↵ to measure the second calibration solution. The next calibration solution is shown.

7. Rinse the probe with deionized water and put the probe into the third calibration beaker. Be sure that there are no air bubbles in the membrane.
8. Push ↵ to measure the third calibration solution. When the calibration is good, the display briefly shows 3rd Buffer OK and then returns to the main menu.

View the calibration data

Data from the most recent calibration can be shown.

1. From the main menu push ↵ .
2. Use the ▼ to view the last calibration data. The meter returns automatically to the measurement screen after 3 seconds.

Set the calibration reminder

The calibration reminder can be set between 0 to 23 hours or 1-7 days (default 1 day). The display shows the remaining time to the new calibration.

Note: When 0 days is selected, the calibration reminder is turned off.

1. From the main menu push ↵ and then push ▼ until the display shows Cal. frequency.
2. Use the ▲ or ▼ to change the value. The meter returns automatically to the measurement screen after 3 seconds.

Sample measurements

Each probe has specific preparation steps and procedures for taking sample measurements. For step-by-step instructions, refer to the documents that are included with the probe.

Note: Solutions should be stirred during measurement. For more information about the stirring settings, refer to [Change the stirring settings](#) on page 9.

Note: The temperature is not shown during an ORP (mV) measurement when the temperature probe is not connected.

Push pH or ORP (mV) to take a sample measurement. During measurements, the parameter flashes and the timer shows the

stabilization time. To change the measurement parameter (if applicable), push and hold pH or ORP (mV).

To measure the sample continuously, push pH or ORP (mV) to start a measurement and push pH or ORP (mV) again during the stabilization. The parameter flashes to indicate the continuous measurement mode.

Advanced operation

Change the date and time

The date and time can be changed from the Date and Time menu.


1. Use the ▼ to enter the Date and Time menu. The date and time format: dd-mm-yyyy 24h.
The attribute to be changed will be automatically highlighted and will advance to the next attribute if no ▲ or ▼ is pushed.
2. To change an attribute, push ▲ or ▼ when the highlighted attribute is selected.
The current date and time will be shown on the display.

Adjust the display contrast

1. Push the ▲ and ▼ at the same time to enter the Display contrast menu.
2. Use the ▲ or ▼ to adjust the contrast of the display. The meter returns automatically to the measurement screen after 3 seconds.



Change the stirring settings

The stirring speed can be changed during calibration and during a measurement.

1. Push  during a calibration or during a measurement to enter the stirring menu.
2. Use the ▲ or ▼ to change the stirring speed in %.

Change the temperature units

The temperature units can be changed to Celsius or Fahrenheit.

1. From the main screen push .
2. Push  to select between Celsius or Fahrenheit.

Maintenance

CAUTION



Multiple hazards. Only qualified personnel must conduct the tasks described in this section of the document.

NOTICE

Do not disassemble the instrument for maintenance. If the internal components must be cleaned or repaired, contact the manufacturer.

Clean the instrument

NOTICE

Never use cleaning agents such as turpentine, acetone or similar products to clean the instrument including the display and accessories.

Clean the exterior of the instrument with a moist cloth and a mild soap solution.

Clean the probe

Clean the probe as needed. Refer to [Troubleshooting](#) on page 12 for more information about cleaning. Refer to the probe documentation for information about the probe maintenance.

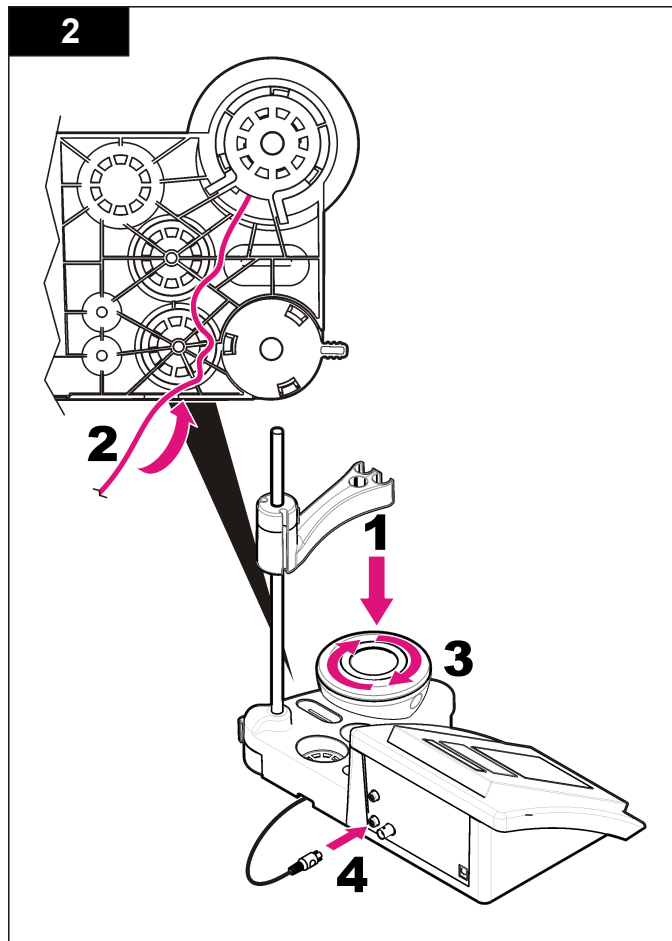
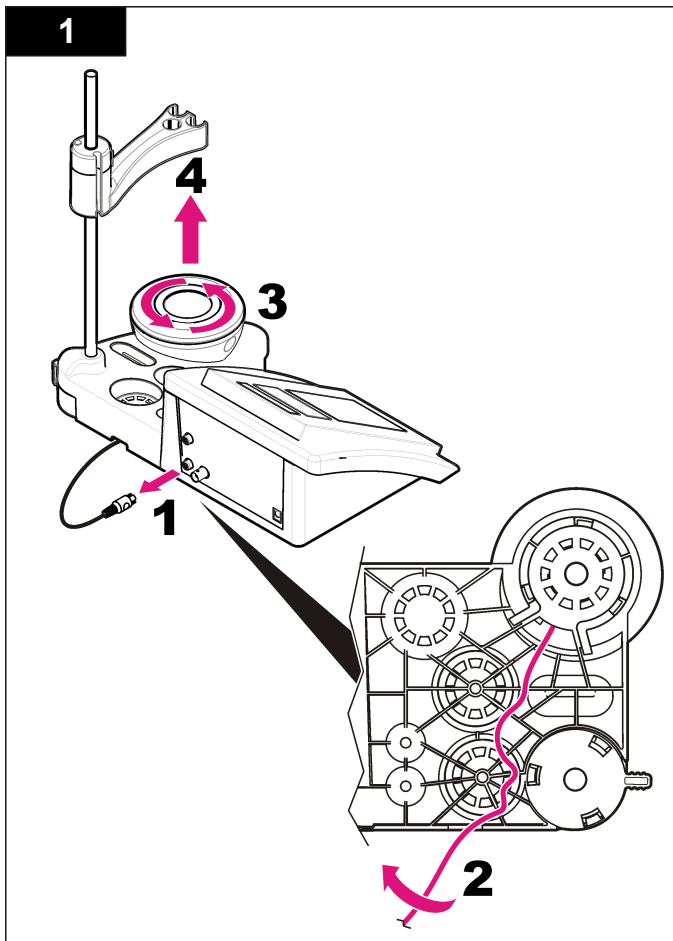
Use the cleaning agents listed in [Table 1](#) for contaminations on the pH probe.

Table 1 Cleaning agents for the pH probe

Contamination	Cleaning agent
Proteins	Pepsin cleaning solution
Grease, oils, fats	Electrode cleaning solution
Limescale	0.1 N HCl solution

Replace the magnetic stirrer

If the magnetic stirrer does not start, follow the numbered steps to replace the magnetic stirrer.



Troubleshooting

Refer to the following table for common problem messages or symptoms, possible causes and corrective actions.

Table 2 Calibration warnings and errors




Error/Warning	Solution
Asymmetry > 58 mV	Slope out of range (accepted values ± 58 mV). Repeat with  . Connect a new probe.
Buffer or electrode in poor conditions.	Repeat with  .
Sens. (a) < 70%	Examine the probe: Clean the probe (refer to Clean the probe on page 9 for more information); make sure that there are no air bubbles in the membrane. Shake the probe like a thermometer; Connect a different probe to verify if problem is with probe or meter.
BUFFER NOT RECOGNIZED	Examine the buffer solution: Make sure that the buffer used matches the buffer specified in configuration; make sure of the temperature specification in configuration; use new buffer solution.
UNSTABLE READING Time > 100 s	Repeat with  . Examine the probe: Clean the probe (refer to Clean the probe on page 9 for more information); make sure that there are no air bubbles in the membrane. Shake the probe like a thermometer; connect a different probe to verify if problem is with probe or meter. Make sure that the membrane and the diaphragm are properly immersed in the sample.

Table 2 Calibration warnings and errors (continued)



Error/Warning	Solution
Electrode in poor conditions.	Examine the probe: Clean the probe (refer to Clean the probe on page 9 for more information); make sure that there are no air bubbles in the membrane. Shake the probe like a thermometer; connect a different probe to verify if problem is with probe or meter.
Check the electrode	
SAME BUFFERS	Repeat with  . Examine the probe: Clean the probe (refer to Clean the probe on page 9 for more information); make sure that there are no air bubbles in the membrane. Shake the probe like a thermometer; connect a different probe to verify if problem is with probe or meter. Examine the buffer solution: Use new buffer solution.

Table 3 Measurement warnings and errors

Error/Warning	Solution
pH 12.78 19°C	Repeat with  .
pH out of range	Examine the probe: Clean the probe (refer to Clean the probe on page 9 for more information); make sure that there are no air bubbles in the membrane. Shake the probe like a thermometer; connect a different probe to verify if problem is with probe or meter.
Temp out of range °C	Examine the temperature sensor. Connect a different probe to verify if problem is with probe or meter.
Time > 150 s	Make sure that the membrane and the diaphragm are properly immersed in the sample. Examine the temperature. Examine the probe: Clean the probe (refer to Clean the probe on page 9 for more information); make sure that there are no air bubbles in the membrane. Shake the probe like a thermometer; connect a different probe to verify if problem is with probe or meter.

Replacement parts and accessories

Note: Product and Article numbers may vary for some selling regions. Contact the appropriate distributor or refer to the company website for contact information.

Replacement parts

Description	Item no.
sensION+ PH3 Lab pH-meter with accessories, without probe	LPV2000.97.0002
sensION+ PH31 Lab pH-meter, GLP, with accessories, without probe	LPV2100.97.0002
sensION+ MM340 Lab pH & Ion-meter, GLP, 2 channels, with accessories, without probe	LPV2200.97.0002
sensION+ EC7 Lab conductivity meter, with accessories, without probe	LPV3010.97.0002
sensION+ EC71 Lab conductivity meter, GLP, with accessories, without probe	LPV3110.97.0002
sensION+ MM374, 2 channel Lab meter, GLP, accessories, without probes	LPV4110.97.0002

Consumables

Description	Item no.
pH buffer solution 4.01, 125 mL	LZW9460.99
pH buffer solution 7.00, 125 mL	LZW9461.97
pH buffer solution 10.01, 125 mL	LZW9470.99
pH buffer solution 4.01, 250 mL	LZW9463.99
pH buffer solution 7.00, 250 mL	LZW9464.97
pH buffer solution 10.01, 250 mL	LZW9471.99
pH buffer solution 4.01, 1000 mL	LZW9466.99
pH buffer solution 7.00, 1000 mL	LZW9467.97

Consumables (continued)

Description	Item no.
pH buffer solution 10.01, 1000 mL	LZW9472.99
Electrolytic solution (KCl 3M), 125 mL	LZW9510.99
Electrolytic solution (KCl 3M), 250 mL	LZW9500.99
Electrolytic solution (KCl 3M), 50 mL	LZW9509.99
Electrolytic solution 0.1 M, 125 mL	LZW9901.99
Enzyme solution	2964349
Pepsin Cleaning Solution	2964349
Electrode cleaning solution	2965249
0.1 N HCl solution	1481253
Ethanol, 95% (Grease, oils, fats)	2378900

Accessories

Description	Item no.
Magnetic stirrer with sensor holder, for sensION+ MM benchtop	LZW9319.99
3x50 mL printed beakers for benchtop pH calibration	LZW9110.97
Three-sensor holder, for sensION+ benchtop instruments	LZW9321.99
Holder and clamp for three sensors	LZW9155.99
Pyrex glass chamber, continuous flow measurements	LZW9118.99
PP protector, electrode storage	LZW9161.99

Standard solutions

Technical buffer solutions (DIN 19267)

Refer to [Table 4](#) pH and ORP (mV) values of specific buffer sets at varying temperatures.

Table 4 pH, ORP (mV) and temperature values

Temperature		pH					mV
°C	°F						
0	32	2.01	4.01	7.12	9.52	10.30	—
10	50	2.01	4.00	7.06	9.38	10.17	245
20	68	2.00	4.00	7.02	9.26	10.06	228
25	77	2.00	4.01	7.00	9.21	10.01	220
30	86	2.00	4.01	6.99	9.16	9.96	212
40	104	2.00	4.03	6.97	9.06	9.88	195
50	122	2.00	4.06	6.97	8.99	9.82	178
60	140	2.00	4.10	6.98	8.93	9.76	160
70	158	2.01	4.16	7.00	8.88	—	—
80	176	2.01	4.22	7.04	8.83	—	—
90	194	2.01	4.30	7.09	8.79	—	—

Caractéristiques

Les caractéristiques techniques peuvent être modifiées sans préavis.

Caractéristique	Détails
Dimensions	35 x 20 x 11 cm (13,78 x 7,87 x 4,33 po)
Poids	1 100 g (2,43 lb)
Boîtier de l'appareil	IP42
Alimentation (externe)	100–240 V, 0,4 A, 47-63 Hz
Classe de protection de l'instrument	Classe II
Température de stockage	–15 à +65 °C (5 à +149 °F)
Température de fonctionnement	0 à 40 °C (41 à 104 °F)
Humidité de fonctionnement	< 80 % (sans condensation)
Résolution	pH : 0,01, ORP : 1 mV, température : 0,1 °C (0,18 °F)
Erreur de mesure (± 1 chiffre)	pH : ≤ 0,01, ORP : ≤ 1 mV, température : ≤ 0,2 °C (≤ 0,36 °F)
Reproductibilité (± 1 chiffre)	pH : ± 0,01, ORP : ± 1 mV, température : ± 0,1 °C (± 0,18 °F)
Connexions	Sonde d'indicateur ou combinée : connecteur BNC (imp. > 10 ¹² Ω) ; électrode de référence : connecteur banane ; type A.T.C. Pt 1000 : connecteur banane ou téléphonique ; agitateur magnétique : connecteur RCA
Correction de température	Manuelle, sonde de température Pt 1000 (A.T.C.), sonde NTC 10 kΩ
Verrouillage d'affichage de mesure	Mesure continue, par stabilité
Afficheur	Cristal liquide, rétroéclairé, 128 x 64 points

Caractéristique	Détails
Clavier	PET avec traitement de protection
Certification	CE

Généralités

Les éditions révisées se trouvent sur le site Internet du fabricant.

Consignes de sécurité

AVIS

Le fabricant décline toute responsabilité quant aux dégâts liés à une application ou un usage inappropriés de ce produit, y compris, sans toutefois s'y limiter, des dommages directs ou indirects, ainsi que des dommages consécutifs, et rejette toute responsabilité quant à ces dommages dans la mesure où la loi applicable le permet. L'utilisateur est seul responsable de la vérification des risques d'application critiques et de la mise en place de mécanismes de protection des processus en cas de défaillance de l'équipement.

Veuillez lire l'ensemble du manuel avant le déballage, la configuration ou la mise en fonctionnement de cet appareil. Respectez toutes les déclarations de prudence et d'attention. Le non-respect de cette procédure peut conduire à des blessures graves de l'opérateur ou à des dégâts sur le matériel.

Assurez-vous que la protection fournie avec cet appareil n'est pas défaillante. N'utilisez ni n'installez cet appareil d'une façon différente de celle décrite dans ce manuel.

Interprétation des indications de risques

▲ DANGER

Indique une situation de danger potentiel ou imminent qui, si elle n'est pas évitée, entraîne des blessures graves, voire mortelles.

▲ AVERTISSEMENT

Indique une situation de danger potentiel ou imminent qui, si elle n'est pas évitée, peut entraîner des blessures graves, voire mortelles.

⚠ ATTENTION



Indique une situation de danger potentiel qui peut entraîner des blessures mineures ou légères.

AVIS

Indique une situation qui, si elle n'est pas évitée, peut occasionner l'endommagement du matériel. Informations nécessitant une attention particulière.

Étiquettes de mise en garde

Lisez toutes les étiquettes et tous les repères apposés sur l'instrument. Des personnes peuvent se blesser et le matériel peut être endommagé si ces instructions ne sont pas respectées. Un symbole sur l'appareil est désigné dans le manuel avec une instruction de mise en garde.

	Si l'appareil comporte ce symbole, reportez-vous au manuel d'utilisation pour consulter les informations de fonctionnement et de sécurité.
	Le matériel électrique portant ce symbole ne doit pas être mis au rebut dans les réseaux domestiques ou publics européens. Retournez le matériel usé ou en fin de vie au fabricant pour une mise au rebut sans frais pour l'utilisateur.

Présentation du produit

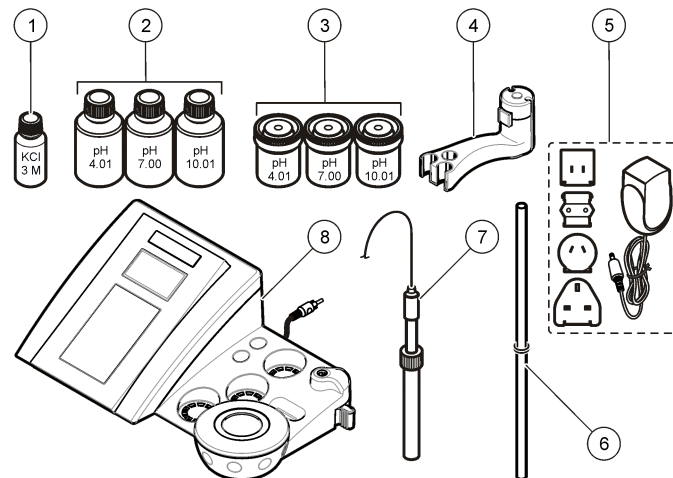
Les appareils de mesure de la série ION™+ s'utilisent avec des sondes pour mesurer différents paramètres dans l'eau.

L'appareil de mesure sensION™+ PH3 mesure le pH, l'ORP (mV) et la température.

Composants du produit

Consultez la [Figure 1](#) pour vous assurer que tous les éléments ont bien été reçus. Si des éléments manquent ou sont endommagés, contactez immédiatement le fabricant ou un représentant commercial.

Figure 1 Composants de l'appareil

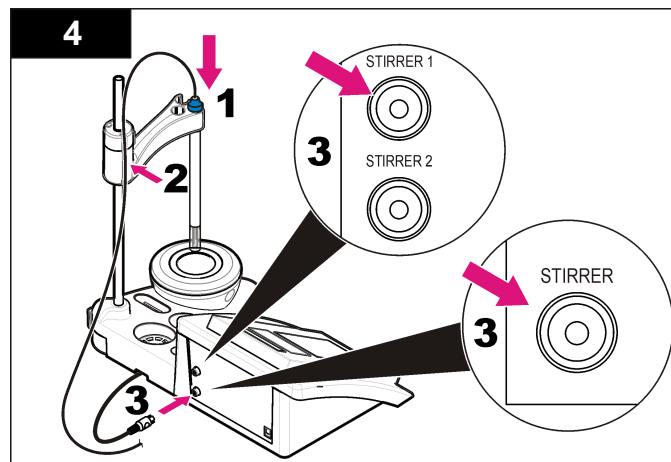
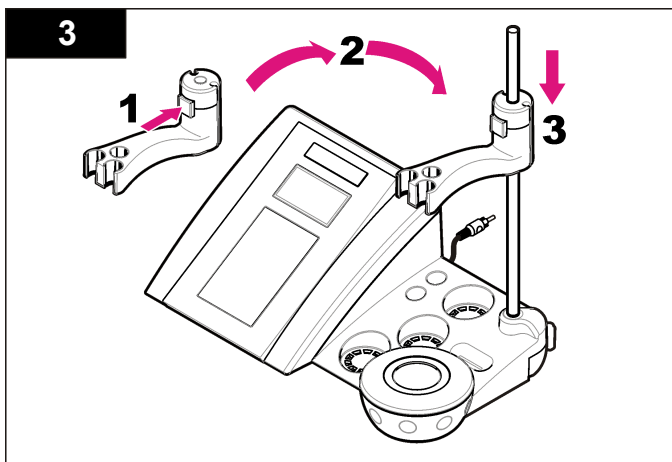
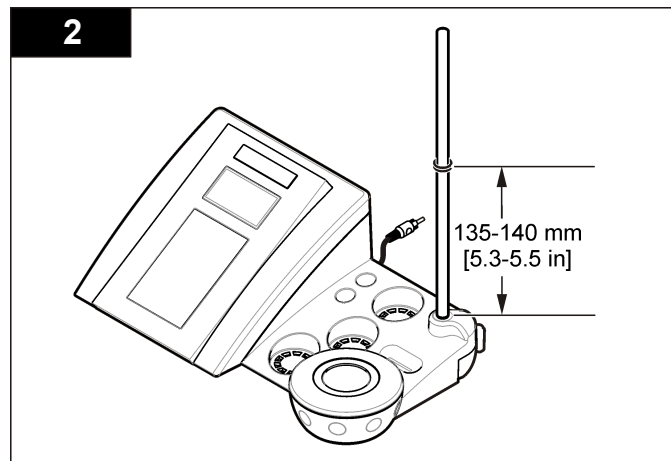
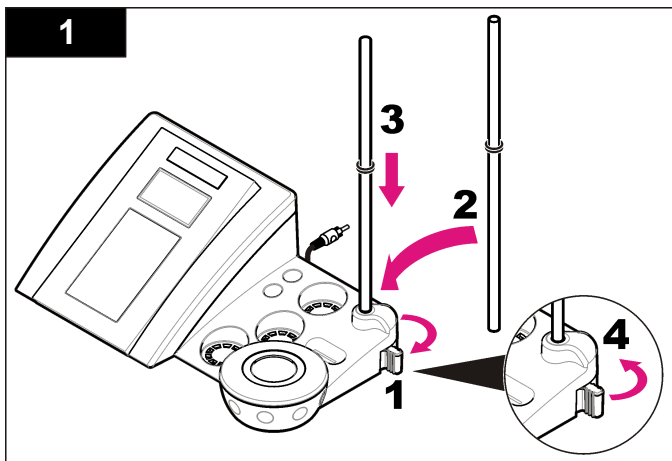


1 Electrolyte pour la sonde	5 Alimentation
2 Solutions tampons (pH 4,01, pH 7,00 et pH 10,01)	6 Tige avec joint torique
3 Bêchers d'étalonnage (avec barre magnétique)	7 Sonde (comprise uniquement dans les kits)
4 Support de sonde	8 Appareil de mesure

Installation

Monter le support de sonde

Suivez les étapes numérotées afin de monter le support de sonde et de brancher l'agitateur magnétique.



Branchement sur alimentation CA

⚠ DANGER

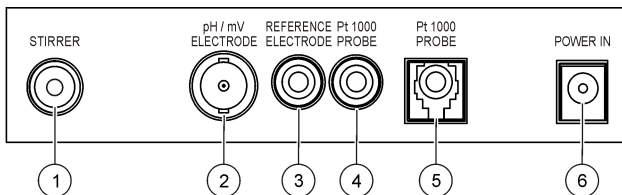


Risque d'électrocution Si cet équipement est utilisé à l'extérieur ou dans des lieux potentiellement humides, un disjoncteur de fuite à la terre (GFCI/GFI) doit être utilisé pour le branchement de l'équipement à sa source d'alimentation secteur.

L'appareil de mesure peut être alimenté sur secteur à l'aide d'un adaptateur d'alimentation universel.

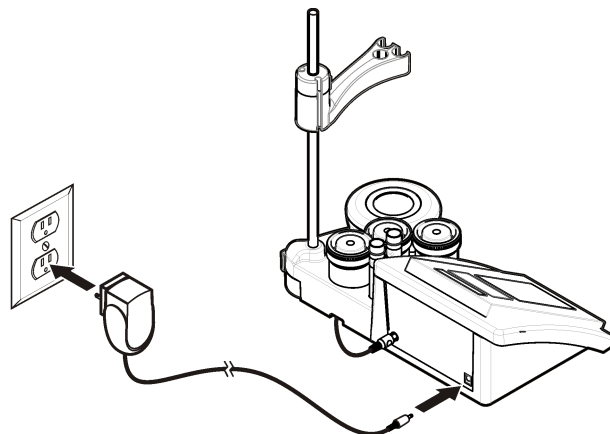
1. Sélectionnez la fiche d'adaptateur appropriée à la prise électrique dans le kit adaptateur.
2. Branchez l'adaptateur d'alimentation universel à l'appareil (Figure 2).
3. Branchez l'adaptateur d'alimentation universel à une prise CA (Figure 3).
4. Allumez l'appareil.

Figure 2 Panneau des connecteurs



1 Connecteur de l'agitateur magnétique	4 Connecteur de la sonde de température
2 Connecteur de l'électrode (ou indicateur) pH combinée	5 Connecteur de la sonde de température séparée
3 Connecteur de l'électrode de référence (électrodes séparées)	6 Alimentation

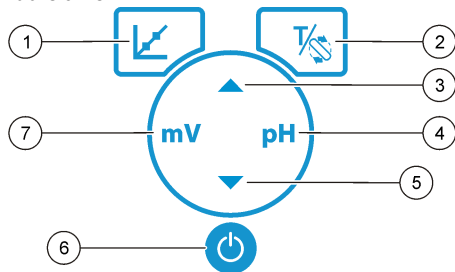
Figure 3 Branchement sur alimentation CA



Interface utilisateur et navigation

Interface utilisateur

Description du clavier

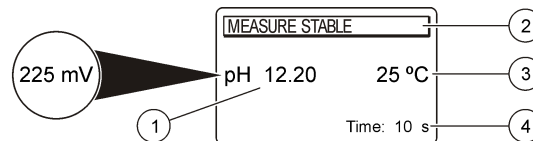


1 Touche CALIBRATION (ETALONNAGE) : permet de lancer l'étalonnage, d'afficher les données d'étalonnage et de modifier la fréquence d'étalonnage	5 Touche BAS : permet de faire défiler les autres options ou de modifier une valeur
2 Touche TEMPERATURE/STIRRER (TEMPRATURE/AGITATEUR) : permet de modifier la température (°C, °F) ou la vitesse de brassage	6 MARCHE/ARRET : allumage ou extinction de l'appareil
3 Touche HAUT : permet de faire défiler les autres options ou de modifier une valeur	7 Touche de mesure mV : permet de lancer une mesure ORP (mV)
4 Touche de mesure du pH : permet de lancer une mesure de pH	

Description de l'affichage




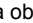
L'affichage de l'appareil de mesure indique la concentration, les unités, la température, l'état d'étalonnage, la date et l'heure.

Figure 4 Affichage sur écran unique



1 Unité de mesure et valeur (pH, ORP (mV))	3 Température d'échantillon (°C ou °F)
2 Mode de mesure ou date et heure	4 Minuteur visuel de mesure

Navigation


Utilisez la touche d'étalonnage  pour étalonner la sonde. Utilisez la touche de paramétrage pour mesurer un échantillon. Utilisez les touches TEMPERATURE et STIRRER (TEMPERATURE et AGITATEUR)  pour modifier la température (°C, °F) ou la vitesse de brassage. Utilisez les touches fléchées   pour accéder à d'autres options ou modifier une valeur. Veillez à observer l'écran pendant les tâches car les écrans changent rapidement. Consultez les instructions spécifiques à chaque tâche.

Mise en marche

Allumage et extinction de l'appareil de mesure

AVIS

Veillez à ce que la sonde soit connectée à l'appareil de mesure avant d'allumer l'appareil de mesure.

Appuyez sur la touche  pour allumer ou éteindre l'appareil de mesure. Si l'appareil ne s'allume pas, vérifiez que l'alimentation CA est bien branchée à une prise électrique.

Modifier la langue

La langue de l'affichage est sélectionnée au premier allumage de l'appareil.

Utilisez les touches ▲ ou ▼ pour sélectionner une langue dans la liste. Le retour à l'écran de mesure se fait automatiquement après 3 secondes.

Remarque : ▲ Pour modifier la langue à partir du menu principal, appuyez sur .

Fonctionnement standard



Étalonnage



▲ DANGER	
	Risque d'exposition chimique. Respectez les procédures de sécurité du laboratoire et portez tous les équipements de protection personnelle adaptés aux produits chimiques que vous manipulez. Consultez les fiches de données de sécurité (MSDS/SDS) à jour pour connaître les protocoles de sécurité applicables.
	

Procédure d'étalonnage

Cette procédure s'utilise généralement avec des solutions d'étalonnage liquides. Reportez-vous aux documents inclus avec chaque sonde pour plus d'informations.


Remarque : Les solutions doivent être brassées lors de l'étalonnage. Pour plus d'informations sur les paramètres de brassage, reportez-vous à [Modifier les paramètres de brassage](#) à la page 21.

1. Versez les solutions tampons et d'étalonnage dans les béciers d'étalonnage étiquetés.
2. Dans le menu principal, appuyez sur  pour sélectionner l'étalonnage pH ou mV.
3. Rincez la sonde à l'eau déminéralisée et placez-la dans le premier bécier d'étalonnage. Vérifiez qu'aucune bulle d'air ne s'est formée dans la membrane.
4. Appuyez sur  pour mesurer la première solution d'étalonnage. La solution d'étalonnage suivante apparaît.

5. Rincez la sonde à l'eau déminéralisée et placez-la dans le deuxième bécier d'étalonnage. Vérifiez qu'aucune bulle d'air ne s'est formée dans la membrane.
6. Appuyez sur  pour mesurer la seconde solution d'étalonnage. La solution d'étalonnage suivante apparaît.
7. Rincez la sonde à l'eau déminéralisée et placez-la dans le troisième bécier d'étalonnage. Vérifiez qu'aucune bulle d'air ne s'est formée dans la membrane.
8. Appuyez sur  pour mesurer la troisième solution d'étalonnage. Une fois l'étalonnage correct, l'écran affiche brièvement 3e tampon OK, puis repasse au menu principal.

Afficher les données d'étalonnage


Les données d'étalonnage les plus récentes peuvent être affichées.

1. Sur le menu principal, appuyez sur .
2. Utilisez ▼ pour consulter les dernières données d'étalonnage. Le retour à l'écran de mesure se fait automatiquement après 3 secondes.

Régler le rappel d'étalonnage

Le rappel d'étalonnage peut être réglé entre 0 et 23 heures, ou entre 1 et 7 jours (par défaut : 1 jour). L'écran indique le temps restant avant le prochain étalonnage.

Remarque : Lorsque 0 jour est sélectionné, le rappel d'étalonnage est désactivé.

1. Dans le menu principal, appuyez sur  puis sur ▼ jusqu'à ce que l'écran affiche Fréquence d'égal.
2. Utilisez les touches ▲ ou ▼ pour modifier la valeur. Le retour à l'écran de mesure se fait automatiquement après 3 secondes.

Mesures d'échantillon

Chaque sonde a des étapes de préparation et procédures spécifiques pour prendre les mesures d'échantillons. Pour des instructions pas à pas, se reporter aux documents inclus avec la sonde.

Remarque : Les solutions doivent être brassées lors de la prise de mesures. Pour plus d'informations sur les paramètres de brassage, reportez-vous à [Modifier les paramètres de brassage](#) à la page 21.

Remarque : Lors d'une mesure REDOX (mV), la température ne s'affiche pas si la sonde de température n'est pas connectée.

Appuyez sur pH ou REDOX (mV) pour réaliser une mesure d'échantillon. Lors des mesures, le paramètre clignote et le minuteur affiche le temps de stabilisation. Pour modifier le paramètre de mesure (le cas échéant), appuyez sur pH ou REDOX (mV) et maintenez la touche enfoncée.

Pour mesurer l'échantillon de façon continue, appuyez sur pH ou REDOX (mV) pour lancer la mesure et appuyez à nouveau sur pH ou REDOX (mV) durant la phase de stabilisation. Le paramètre clignote pour indiquer le mode de mesure continue.

Utilisation avancée

Modifier la date et l'heure

La date et l'heure sont modifiables depuis le menu Date / heure.


1. Utilisez la touche ▼ pour accéder au menu Date / heure. La date et l'heure sont au format jj-mm-aaaa 24 h. L'attribut à modifier est mis automatiquement en surbrillance et passe à l'attribut suivant si les touches ▲ ou ▼ ne sont pas activées.
2. Pour modifier un attribut, appuyez sur les touches ▲ ou ▼ lorsque l'attribut est en surbrillance. La date et l'heure en cours apparaissent sur l'écran.

Régler le contraste écran

1. Appuyez simultanément sur les touches ▲ et ▼ afin d'accéder au menu Contraste écran.
2. Utilisez les touches ▲ ou ▼ pour régler le contraste de l'écran. Le retour à l'écran de mesure se fait automatiquement après 3 secondes.



Modifier les paramètres de brassage

La vitesse de brassage peut être modifiée lors de l'étalonnage ou au cours d'une mesure.

1. Appuyez sur  lors de l'étalonnage ou au cours d'une mesure pour accéder au menu Stirring (Brassage).
2. Utilisez les touches ▲ ou ▼ pour modifier la vitesse de brassage en %.

Modifier les unités de température

Les unités de température peuvent être indiquées en Celsius ou en Fahrenheit.

1. Sur l'écran principal, appuyez sur .
2. Appuyez sur  pour sélectionner Celsius ou Fahrenheit.

Maintenance

▲ ATTENTION



Dangers multiples. Seul le personnel qualifié doit effectuer les tâches détaillées dans cette section du document.

AVIS

Ne pas démonter l'appareil pour entretien. Si les composants internes doivent être nettoyés ou réparés, contactez le fabricant.

Nettoyage de l'appareil

AVIS

N'utilisez jamais d'agents de nettoyage tels que térébenthine, acétone ou autres produits similaires pour nettoyer l'appareil, ni son écran et ses accessoires.

Nettoyez l'extérieur de l'appareil avec un chiffon humide et une solution de détergent doux.

Nettoyer la sonde

Nettoyez la sonde selon les besoins. Reportez-vous à la section [Dépannage](#) à la page 24 pour plus d'informations sur le nettoyage. Reportez-vous à la documentation de la sonde pour plus d'informations sur son entretien.

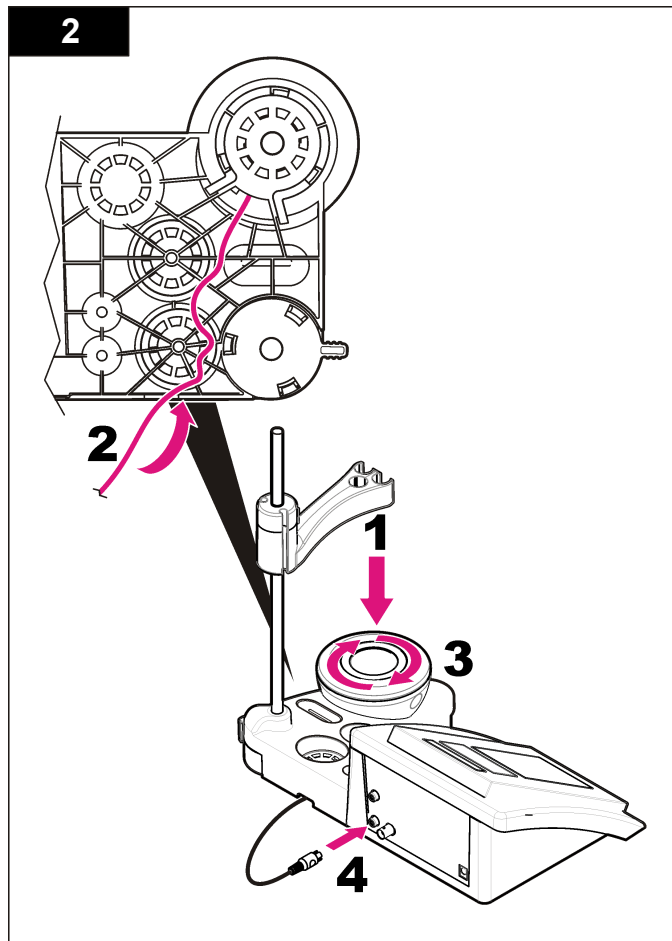
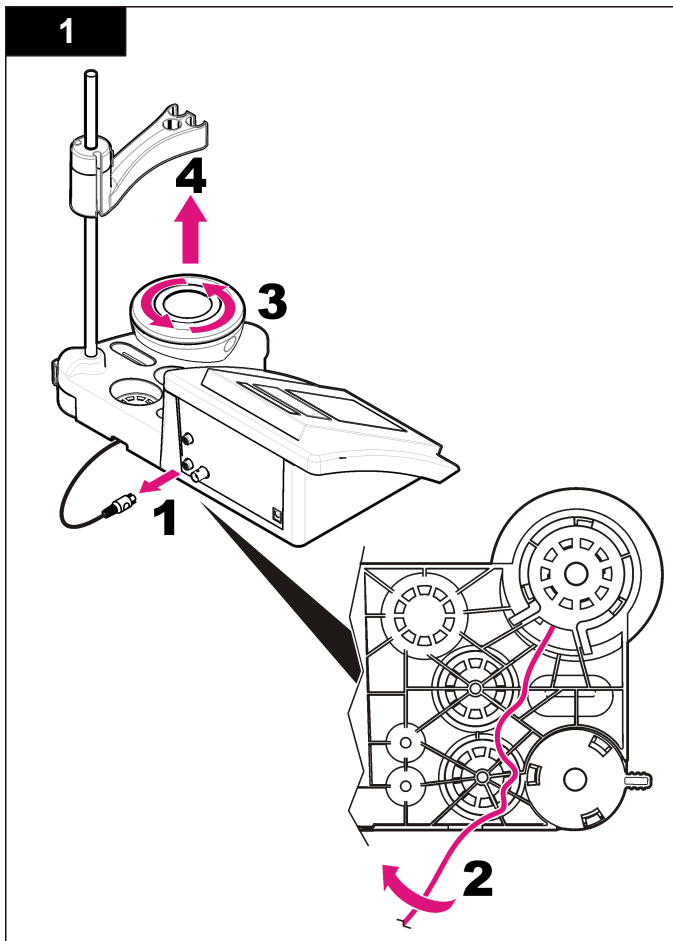
Utilisez les agents nettoyants indiqués [Tableau 1](#) dans les cas de contamination de la sonde pH.

Tableau 1 Agents nettoyants pour la sonde pH

Contamination	Agent nettoyant
Protéines	Solution de nettoyage de pepsine
Graisse, huile, corps gras	Solution de nettoyage d'électrode
Entartrage	Solution de HCl 0,1 N

Remplacer l'agitateur magnétique

Si l'agitateur magnétique ne démarre pas, remplacez-le en respectant les étapes dans l'ordre.



Dépannage

Consulter le tableau ci-dessous des messages ou symptômes les plus courants, pour trouver les causes possibles et actions correctives.

Tableau 2 Avertissements et erreurs d'étalonnage




Erreur/Avertissement	Solution
Asymétrie > 58 mV	Inclinaison hors plage (valeurs acceptées \pm 58 mV). Répétez avec  . Branchez une nouvelle sonde.
Tampon ou électrode en mauvais état.	Répétez avec  . Examen de la sonde : nettoyez la sonde (reportez-vous à la section Nettoyer la sonde à la page 22 pour plus d'informations) ; vérifiez qu'aucune bulle d'air ne s'est formée dans la membrane. Agitez la sonde comme un thermomètre ; branchez une autre sonde pour vérifier si le problème provient de la sonde ou de l'appareil. Examen de la solution tampon : vérifiez que le tampon est conforme à celui spécifié dans la configuration ; vérifiez que la température est conforme à celle spécifiée dans la configuration ; utilisez une nouvelle solution tampon.
Sens. (a) < 70 %	
TAMPON NON RECONNU	
RESULTAT INSTABLE Durée > 100 s	Répétez avec  . Examen de la sonde : nettoyez la sonde (reportez-vous à la section Nettoyer la sonde à la page 22 pour plus d'informations) ; vérifiez qu'aucune bulle d'air ne s'est formée dans la membrane. Agitez la sonde comme un thermomètre ; branchez une autre sonde pour vérifier si le problème provient de la sonde ou de l'appareil. Vérifiez que la membrane et le diaphragme sont correctement immergés dans l'échantillon.

Tableau 2 Avertissements et erreurs d'étalonnage (suite)


Erreur/Avertissement	Solution
Electrode en mauvais état.	Examen de la sonde : nettoyez la sonde (reportez-vous à la section Nettoyer la sonde à la page 22 pour plus d'informations) ; vérifiez qu'aucune bulle d'air ne s'est formée dans la membrane. Agitez la sonde comme un thermomètre ; branchez une autre sonde pour vérifier si le problème provient de la sonde ou de l'appareil.
Vérification de l'électrode	
TAMPONS IDENTIQUES	Répétez avec  . Examen de la sonde : nettoyez la sonde (reportez-vous à la section Nettoyer la sonde à la page 22 pour plus d'informations) ; vérifiez qu'aucune bulle d'air ne s'est formée dans la membrane. Agitez la sonde comme un thermomètre ; branchez une autre sonde pour vérifier si le problème provient de la sonde ou de l'appareil. Examen de la solution tampon : utilisez une nouvelle solution tampon.

Tableau 3 Avertissements et erreurs de mesure


Erreur/Avertissement	Solution
pH 12,78, 19 °C	Répétez avec  .
pH hors plage	Examen de la sonde : nettoyez la sonde (reportez-vous à la section Nettoyer la sonde à la page 22 pour plus d'informations) ; vérifiez qu'aucune bulle d'air ne s'est formée dans la membrane. Agitez la sonde comme un thermomètre ; branchez une autre sonde pour vérifier si le problème provient de la sonde ou de l'appareil.

Tableau 3 Avertissements et erreurs de mesure (suite)

Erreur/Avertissement	Solution
Temp. hors plage (°C)	Examinez le capteur de température. Branchez une autre sonde pour vérifier si le problème provient de la sonde ou de l'appareil.
Durée > 150 s	Vérifiez que la membrane et le diaphragme sont correctement immergés dans l'échantillon. Examinez la température. Examen de la sonde : nettoyez la sonde (reportez-vous à la section Nettoyer la sonde à la page 22 pour plus d'informations) ; vérifiez qu'aucune bulle d'air ne s'est formée dans la membrane. Agitez la sonde comme un thermomètre ; branchez une autre sonde pour vérifier si le problème provient de la sonde ou de l'appareil.

Pièces de rechange et accessoires

Remarque : Les numéros de référence de produit et d'article peuvent dépendre des régions de commercialisation. Prenez contact avec le distributeur approprié ou consultez le site web de la société pour connaître les personnes à contacter.

Pièces de rechange

Description	Article n°
Appareil de mesure du pH sensION+ PH3 avec accessoires, sans sonde	LPV2000.97.0002
Appareil de mesure du pH sensION+ PH31, GLP, avec accessoires, sans sonde	LPV2100.97.0002
Appareil de mesure du pH et des ions sensION+ MM340, GLP, deux canaux, avec accessoires, sans sonde	LPV2200.97.0002
Appareil de mesure de la conductivité sensION+ EC7, avec accessoires, sans sonde	LPV3010.97.0002
Appareil de mesure de la conductivité sensION+ EC71, GLP, avec accessoires, sans sonde	LPV3110.97.0002
Appareil de mesure sensION+ MM374, deux canaux, GLP, avec accessoires, sans sonde	LPV4110.97.0002

Consommables

Description	Article n°
Solution tampon pH 4.01, 125 mL	LZW9460.99
Solution tampon pH 7.00, 125 mL	LZW9461.97
Solution tampon pH 10.01, 125 mL	LZW9470.99
Solution tampon pH 4.01, 250 mL	LZW9463.99
Solution tampon pH 7.00, 250 mL	LZW9464.97
Solution tampon pH 10.01, 250 mL	LZW9471.99
Solution tampon pH 4.01, 1000 mL	LZW9466.99
Solution tampon pH 7.00, 1000 mL	LZW9467.97
Solution tampon pH 10.01, 1000 mL	LZW9472.99
Solution électrolytique (KCl 3M), 125 ml	LZW9510.99
Solution électrolytique (KCl 3M), 250 ml	LZW9500.99
Solution électrolytique (KCl 3M), 50 ml	LZW9509.99
Solution électrolytique 0,1 M, 125 ml	LZW9901.99
Solution d'enzymes	2964349
Solution de nettoyage de pepsine	2964349
Solution de nettoyage d'électrode	2965249
Solution de HCl 0,1 N	1481253
Ethanol, 95 % (graisse, huile, corps gras)	2378900

Accessoires

Description	Article n°
Agitateur magnétique avec support de capteur, pour appareil de bureau sensION+ MM	LZW9319.99
3 béchers 50 ml gradués pour étalonnage pH des appareils de bureau	LZW9110.97
Support trois capteurs, pour les instruments de bureau sensION+	LZW9321.99
Support et pince pour trois capteurs	LZW9155.99
Chambre en pyrex, mesures de flux continues	LZW9118.99
Protecteur PP, logement pour électrode	LZW9161.99

Solutions étalons

Solutions tampons techniques (DIN 19267)

Reportez-vous au [Tableau 4](#) pour connaître les valeurs pH et ORP (mV) d'un tampon spécifique réglé à diverses températures.

Tableau 4 Valeurs pH, ORP (mV) et température

Température		pH					mV
°C	°F						
0	32	2,01	4,01	7,12	9,52	10,30	—
10	50	2,01	4,00	7,06	9,38	10,17	245
20	68	2,00	4,00	7,02	9,26	10,06	228
25	77	2,00	4,01	7,00	9,21	10,01	220
30	86	2,00	4,01	6,99	9,16	9,96	212
40	104	2,00	4,03	6,97	9,06	9,88	195
50	122	2,00	4,06	6,97	8,99	9,82	178
60	140	2,00	4,10	6,98	8,93	9,76	160

Tableau 4 Valeurs pH, ORP (mV) et température (suite)

Température		pH					mV
°C	°F						
70	158	2,01	4,16	7,00	8,88	—	—
80	176	2,01	4,22	7,04	8,83	—	—
90	194	2,01	4,30	7,09	8,79	—	—

Especificaciones

Las especificaciones están sujetas a cambios sin previo aviso.

Especificación	Detalles
Dimensiones	35 x 20 x 11 cm (13,78 x 7,87 x 4,33 pulg.)
Peso	1100 g (2,43 lb)
Carcasa del medidor	IP42
Requisitos de alimentación (externa)	100–240 V, 0,4 A, 47–63 Hz
Clase de protección del medidor	Clase II
Temperatura de almacenamiento	–15 a +65 °C (5 a +149 °F)
Temperatura de funcionamiento	0 a 40 °C (41 a 104 °F)
Humedad de funcionamiento	< 80% (sin condensación)
Resolución	pH: 0,01, ORP: 1 mV, temperatura: 0,1 °C (0,18 °F)
Error de medida (± 1 dígito)	pH: ≤ 0,01, ORP: ≤ 1 mV, temperatura: ≤ 0,2 °C (≤ 0,36 °F)
Reproducibilidad (± 1 dígito)	pH: ± 0,01, ORP: ± 1 mV, temperatura: ± 0,1 °C (± 0,18 °F)
Conexiones	Sonda de indicador o combinada: Conector BNC (Imp. >10 ¹² Ω); Electrodo de referencia: conector con punta cónica; tipo A.T.C. Pt 1000: conector con punta cónica o telefónico; agitador magnético: conector RCA
Corrección de temperatura	Manual, sonda de temperatura Pt 1000 (A.T.C.), sonda de 10 kΩ NTC
Bloqueo de pantalla de medida	Medida continua, por estabilidad
Pantalla	Cristal líquido, retroiluminada, 128 x 64 puntos

Especificación	Detalles
Teclado	PET con tratamiento de protección
Certificación	CE

Información general

Las ediciones revisadas se encuentran en la página web del fabricante.

Información de seguridad

AVISO

El fabricante no es responsable de ningún daño debido a un mal uso de este producto incluyendo, sin limitación, daños directos, fortuitos o circunstanciales y reclamaciones sobre los daños que no estén recogidos en la legislación vigente. El usuario es el responsable de la identificación de los riesgos críticos y de tener los mecanismos adecuados de protección de los procesos en caso de un posible mal funcionamiento del equipo.

Lea todo el manual antes de desembalar, instalar o trabajar con este equipo. Ponga atención a todas las advertencias y avisos de peligro. El no hacerlo puede provocar heridas graves al usuario o daños al equipo.

Asegúrese de que la protección proporcionada por el equipo no está dañada. No utilice ni instale este equipo de manera distinta a lo especificado en este manual.

Uso de la información sobre riesgos

▲ PELIGRO

Indica una situación potencial o de riesgo inminente que, de no evitarse, provocará la muerte o lesiones graves.

▲ ADVERTENCIA

Indica una situación potencial o inminentemente peligrosa que, de no evitarse, podría provocar la muerte o lesiones graves.

⚠ PRECAUCIÓN



Indica una situación potencialmente peligrosa que podría provocar una lesión menor o moderada.

AVISO

Indica una situación que, si no se evita, puede provocar daños en el instrumento. Información que requiere especial énfasis.

Etiquetas de precaución

Lea todas las etiquetas y rótulos adheridos al instrumento. En caso contrario, podrían producirse heridas personales o daños en el instrumento. El símbolo que aparezca en el instrumento se comentará en el manual con una declaración de precaución.

	Este símbolo (en caso de estar colocado en el equipo) hace referencia a las instrucciones de uso o a la información de seguridad del manual.
	En Europa, el equipo eléctrico marcado con este símbolo no se debe desechar mediante el servicio de recogida de basura doméstica o pública. Devuelva los equipos viejos o que hayan alcanzado el término de su vida útil al fabricante para su eliminación sin cargo para el usuario.

Descripción general del producto

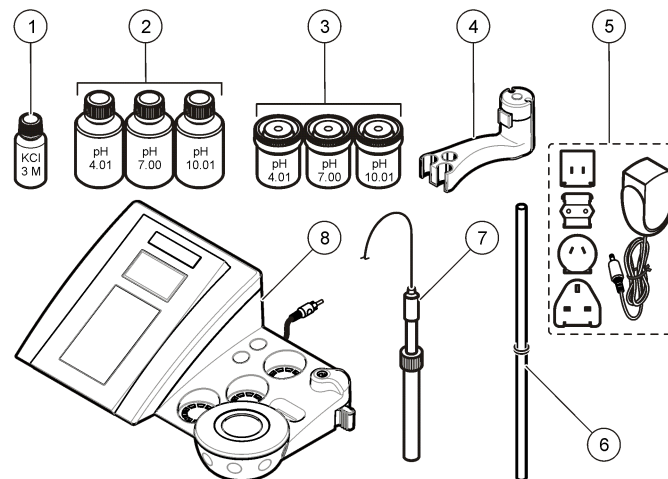
Los medidores sensION™+ se utilizan con sondas para medir diversos parámetros en agua.

El medidor PH3 sensION™+ mide el pH, ORP (mV) o la temperatura.

Componentes del producto

Consulte la [Figura 1](#) para asegurarse de que se han recibido todos los componentes. Si faltan artículos o están dañados, póngase en contacto con el fabricante o el representante de ventas inmediatamente.

Figura 1 Componentes del medidor

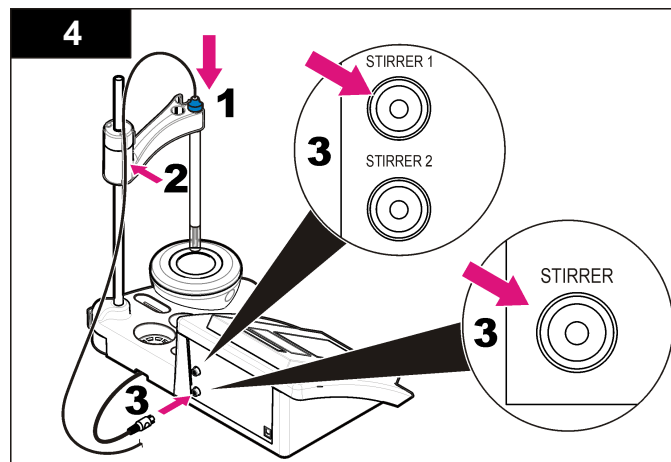
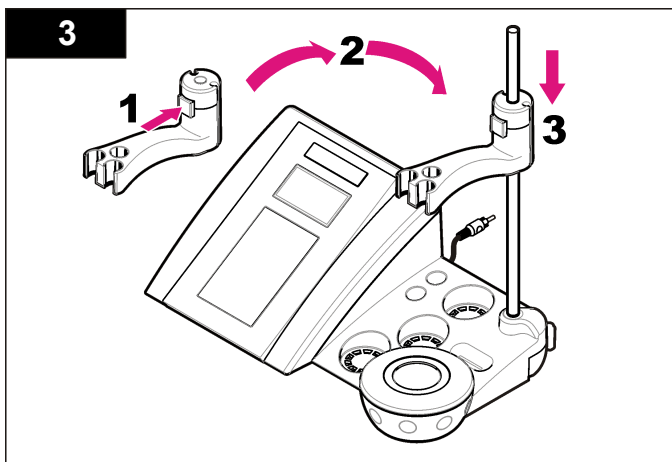
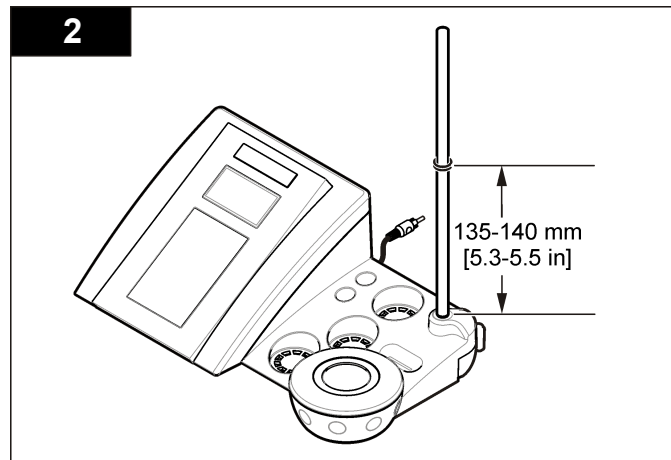
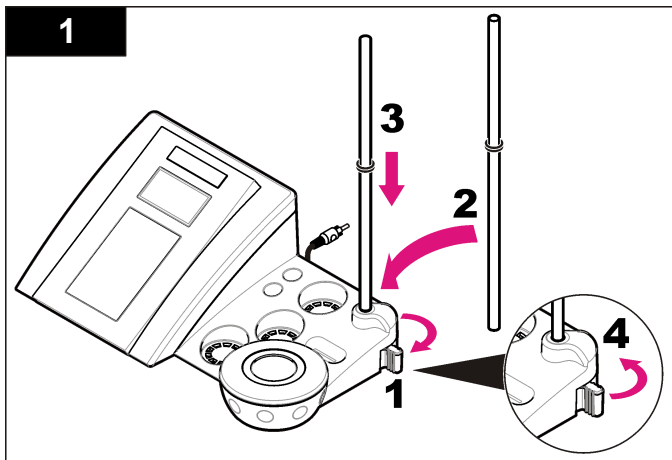


1 Electrolitos para la sonda	5 Fuente de alimentación
2 Soluciones buffer (pH 4,01, pH 7,00 y pH 10,01)	6 Varilla con junta tórica
3 Vasos de precipitados de calibración (con barra magnética interna)	7 Sonda (sólo incluida en los kits)
4 Portasondas	8 Medidor

Instalación


Ensamblar el portasondas

Siga los pasos que se indican a continuación para ensamblar el portasondas y conectar el agitador magnético.



Conectar a la alimentación de CA

⚠ PELIGRO

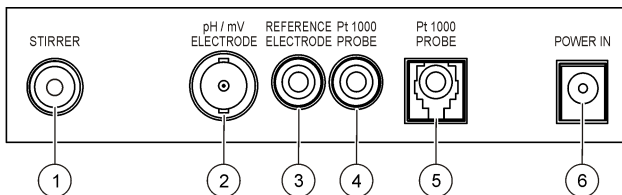


Peligro de electrocución. Si este equipo se usa en exteriores o en lugares potencialmente húmedos, debe usarse un disyuntor de interrupción de circuito por falla a tierra (GFCI/GFI) para conectar el equipo a la alimentación eléctrica.

El medidor puede utilizar alimentación de CA con el adaptador de corriente universal.

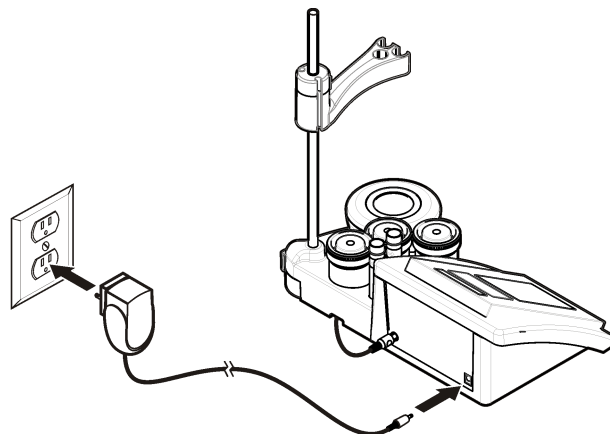
1. Seleccione el conector del adaptador correcto para la toma de alimentación en el kit del adaptador.
2. Conecte el adaptador de corriente universal al medidor (Figura 2).
3. Conecte el adaptador de corriente universal a un receptáculo de CA (Figura 3).
4. Encienda el medidor.

Figura 2 Panel conector



1 Conector del agitador magnético	4 Conector de la sonda de temperatura
2 Conector de electrodo de pH combinado (o indicador)	5 Conector de la sonda de temperatura separado
3 Conector de electrodo de referencia (electrodos separados)	6 Fuente de alimentación

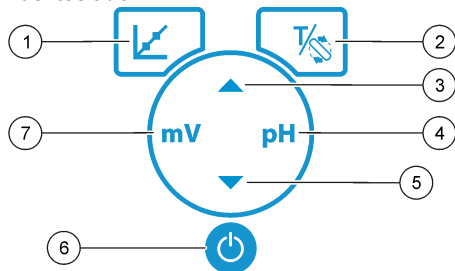
Figura 3 Conexión de la alimentación de CA



Interfaz del usuario y navegación

Interfaz del usuario

Descripción del teclado

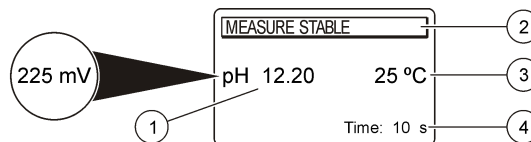


1 Tecla de calibración: inicia la calibración, visualiza los datos de calibración y cambia la frecuencia de calibración.	5 Tecla abajo: permite desplazarse a otras opciones, cambia un valor.
2 Tecla de temperatura y de agitador: cambia la temperatura (°C, °F) o la velocidad de la mezcla.	6 ON/OFF: encendido o apagado del medidor.
3 Tecla arriba: permite desplazarse a otras opciones.	7 Tecla de medición de mV: inicia una medición ORP (mV).
4 Tecla de medición de pH: inicia una medición de pH.	

Descripción de la pantalla

La pantalla del medidor muestra la concentración, unidades, temperatura, el estado de calibración, la fecha y la hora.

Figura 4 Pantalla única



1 Unidad de medición y valor (pH, ORP (mV))	3 Temperatura de la muestra (°C o °F)
2 Modo de medición o fecha y hora	4 Temporizador de medición visual

Navegación

Utilice la tecla de calibración para calibrar la sonda. Utilice la tecla del parámetro para tomar una medición de la muestra. Utilice la tecla TEMPERATURE (Temperatura) y STIRRER (AGITADOR) para cambiar la temperatura (°C, °F) o la velocidad de la mezcla. Utilice las teclas de flecha para desplazarse a otras opciones o cambiar un valor. Asegúrese de observar la pantalla durante las tareas, ya que las visualizaciones cambian con rapidez. Consulte cada tarea para obtener instrucciones específicas.

Puesta en marcha

Encienda y apague el medidor

AVISO

Asegúrese de que la sonda está conectada al medidor antes de encenderlo.

Pulse para encender o apagar el medidor. Si el medidor no se enciende, asegúrese de que la fuente de alimentación de CA está debidamente conectada a una toma eléctrica.

Cambio del idioma



El idioma de visualización se selecciona cuando se enciende el medidor por primera vez.

Utilice ▲ o ▼ para seleccionar un idioma de una lista. El medidor vuelve automáticamente a la pantalla de medición transcurridos 3 segundos.

Nota: ▲ Para cambiar el idioma del menú principal, pulse .

Funcionamiento estándar




Calibración

▲ PELIGRO	
	Peligro por exposición a productos químicos. Respete los procedimientos de seguridad del laboratorio y utilice el equipo de protección personal adecuado para las sustancias químicas que vaya a manipular. Consulte los protocolos de seguridad en las hojas de datos de seguridad actuales (MSDS/SDS).
	


Procedimiento de calibración

Este procedimiento se utiliza generalmente con soluciones líquidas de calibración. Consulte los documentos suministrados con cada sonda para obtener información adicional.

Nota: La solución se debe mezclar durante la calibración. Para obtener más información sobre los ajustes de la mezcla, consulte [Cambie la configuración de la mezcla en la página 33](#).


1. Vierta las soluciones buffer o de calibración en los vasos de precipitados de calibración etiquetados.
2. En el menú principal, pulse  para seleccionar la calibración de pH o mV.
3. Enjuague la sonda con agua desionizada e introdúzcala en el primer vaso de precipitados de calibración. Asegúrese de que no hay burbujas de aire en la membrana.
4. Pulse  para medir la primera solución de calibración. Se mostrará la siguiente solución de calibración.
5. Enjuague la sonda con agua desionizada e introdúzcala en el segundo vaso de precipitados de calibración. Asegúrese de que no hay burbujas de aire en la membrana.
6. Pulse  para medir la segunda solución de calibración.

Se muestra la siguiente solución de calibración.

7. Enjuague la sonda con agua desionizada e introdúzcala en el tercer vaso de precipitados de calibración. Asegúrese de que no hay burbujas de aire en la membrana.
8. Pulse  para medir la tercera solución de calibración. Cuando la calibración es correcta, en la pantalla se muestra brevemente 3º buffer correcto y, a continuación, se vuelve al menú principal.

Visualizar los datos de calibración


Se pueden mostrar los datos de la calibración más reciente.

1. En el menú principal, pulse  .
2. Utilice ▼ para los datos de la última calibración. El medidor vuelve automáticamente a la pantalla de medición transcurridos 3 segundos.

Active el recordatorio de calibración

El recordatorio de calibración se puede ajustar entre las 0 y las 23 horas, o de 1 a 7 días (1 día de forma predeterminada). La pantalla muestra el tiempo restante para la nueva calibración.

Nota: Cuando se selecciona el valor 0 días, el recordatorio de calibración se desactiva.

1. En el menú principal, pulse  y, a continuación, pulse ▼ hasta que la pantalla muestre Frecuencia cal.
2. Utilice ▲ o ▼ para cambiar el valor. El medidor vuelve automáticamente a la pantalla de medida transcurridos 3 segundos.

Mediciones de muestra

Cada sonda tiene unos pasos y procedimientos específicos de preparación para llevar a cabo las mediciones de muestras. Para ver instrucciones paso a paso, consulte los documentos que se incluyen con cada sonda.

Nota: Las soluciones se deben mezclar durante la medición. Para obtener más información sobre los ajustes de la mezcla, consulte [Cambie la configuración de la mezcla en la página 33](#).

Nota: La temperatura no se muestra durante una medición de ORP (mV) si la sonda de temperatura no está conectada.

Pulse pH u ORP 8mV) para realizar la medición de una muestra. Durante las mediciones, el parámetro parpadea y el temporizador muestra el tiempo de estabilización. Para modificar el parámetro de medición (si procede) mantenga pulsado pH u ORP (mV).

Para medir la muestra de forma continua, pulse pH u ORP (mV) para iniciar una medición y pulse pH u ORP (mV) de nuevo durante la estabilización. El parámetro parpadea para indicar el modo de medición continua.

Funcionamiento avanzado

Cambio de la fecha y la hora

La fecha y la hora se pueden cambiar desde el menú Fecha / Hora.


1. Utilice ▼ para acceder al menú Fecha / Hora. El formato de fecha y hora es: dd-mm-aaaa 24 h.
El atributo que se va a cambiar se resaltará automáticamente y avanzará al siguiente atributo si no se pulsa ▲ o ▼.
2. Para cambiar un atributo, pulse ▲ o ▼ cuando se selecciona el atributo resaltado.
La fecha y hora actuales se mostrarán en la pantalla.

Ajustar del contraste de la pantalla

1. Pulse ▲ y ▼ al mismo tiempo para acceder al menú Contraste pantalla.
2. Utilice ▲ o ▼ para ajustar el contraste de la pantalla. El medidor vuelve automáticamente a la pantalla de medición transcurridos 3 segundos.



Cambie la configuración de la mezcla

La velocidad de la mezcla se puede cambiar durante la calibración y durante una medición.

1. Pulse  durante una calibración o durante una medición para acceder al menú de la mezcla.
2. Utilice ▲ o ▼ para cambiar la velocidad de la mezcla en %.

Cambiar las unidades de temperatura

Las unidades de temperatura se pueden cambiar a Celsius o Fahrenheit.

1. En el menú principal, pulse .
2. Pulse  para seleccionar entre Celsius o Fahrenheit.

Mantenimiento

⚠ PRECAUCIÓN



Peligros diversos. Sólo el personal cualificado debe realizar las tareas descritas en esta sección del documento.

AVISO

No desmonte el instrumento para el mantenimiento. Si es necesario limpiar o reparar los componentes internos, póngase en contacto con el fabricante.

Limpieza del instrumento

AVISO

Nunca utilice productos de limpieza como aguarrás, acetona o productos similares para limpiar el instrumento, incluidos la pantalla y los accesorios.

Limpie el exterior del instrumento con un paño húmedo y una solución jabonosa suave.

Limpiar la sonda

Limpie la sonda según sea necesario. Consulte [Solución de problemas](#) en la página 36 para obtener más información sobre la limpieza. Consulte la documentación de la sonda para obtener información sobre el mantenimiento de la sonda.

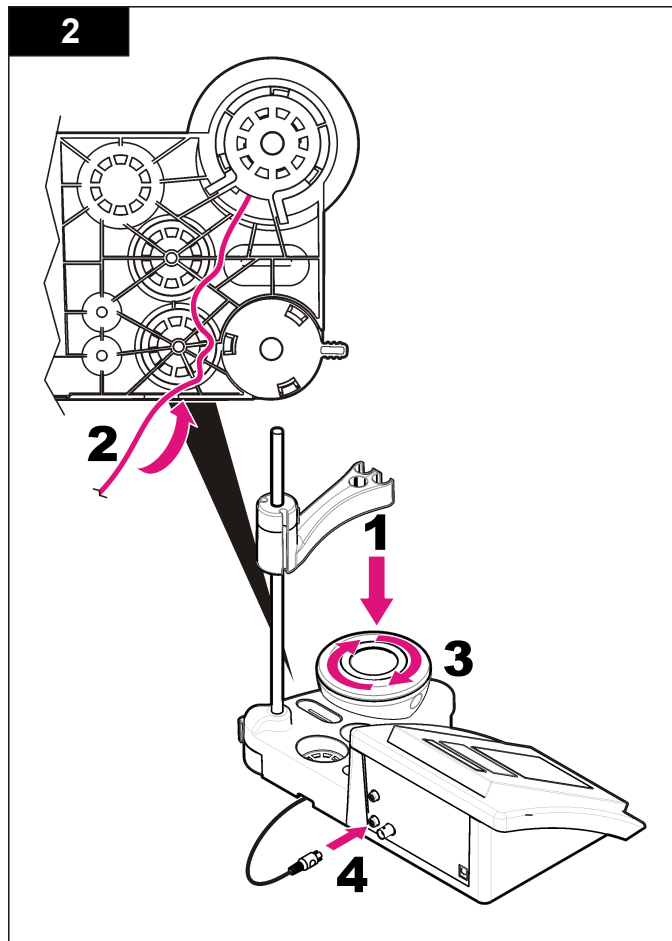
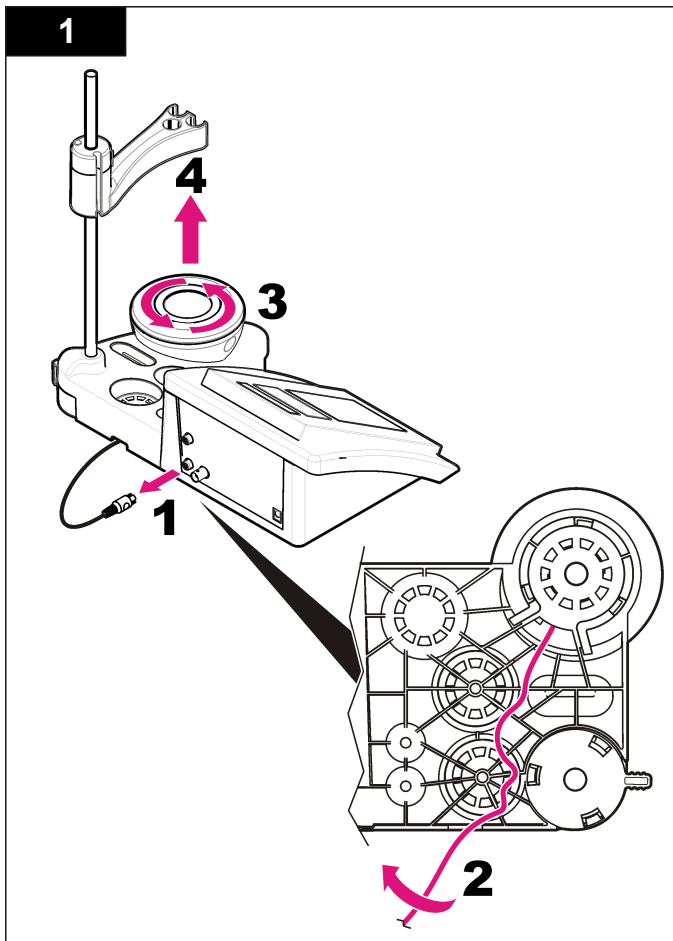
Utilice los agentes limpiadores especificados en [Tabla 1](#) para comprobar los contaminantes en la sonda de pH.

Tabla 1 Agentes limpiadores para la sonda de pH

Contaminación	Agente limpiador
Proteínas	Solución limpiadora de pepsina
Aceites y grasas	Solución de limpieza de electrodos
Depósito calcáreo	Solución de HCl 0,1 N

Sustituya el agitador magnético

Si el agitador magnético no se inicia, siga los pasos que se indican para sustituir el agitador magnético.



Solución de problemas

Consulte la siguiente tabla para ver los mensajes o síntomas de los problemas comunes, las posibles causas y acciones correctivas.

Tabla 2 Advertencias de calibración y errores




Error/advertencia	Solución
Asymmetry > 58 mV (Asimetría > 58 mV)	Pendiente fuera de rango (valores aceptados \pm 58 mV). Repetir con  Conectar una nueva sonda.
Buffer or electrode in poor conditions. (Búfer o electrodo en condiciones deficientes.)	Repetir con  . Examinar la sonda: Limpiar la sonda (consulte Limpiar la sonda en la página 33 para obtener más información); asegúrese de que no hay burbujas de aire en la membrana. Agite la sonda como un termómetro; Conecte una sonda diferente para verificar si el problema es con la sonda o con el medidor.
Sens. (a) < 70%	
BUFFER NOT RECOGNIZED (Búfer no reconocido)	Examine la solución buffer: Asegúrese de que el búfer utilizado coincide con el búfer especificado en la configuración; asegúrese de la especificación de temperatura en la configuración; utilice una nueva solución buffer.
UNSTABLE READING (Lectura inestable) Time t > 100 s (Tiempo t > 100 s)	Repetir con  . Examinar la sonda: Limpiar la sonda (consulte Limpiar la sonda en la página 33 para obtener más información); asegúrese de que no hay burbujas de aire en la membrana. Agite la sonda como un termómetro; conecte una sonda diferente para verificar si el problema es con la sonda o con el medidor. Asegúrese de que la membrana y el diafragma se han sumergido correctamente en la muestra.

Tabla 2 Advertencias de calibración y errores (continúa)


Error/advertencia	Solución
Electrode in poor conditions. (Electrodo en condiciones deficientes).	Examinar la sonda: Limpiar la sonda (consulte Limpiar la sonda en la página 33 para obtener más información); asegúrese de que no hay burbujas de aire en la membrana. Agite la sonda como un termómetro; conecte una sonda diferente para verificar si el problema es con la sonda o con el medidor.
Check the electrode (Compruebe el electrodo)	
SAME BUFFERS (BÚFERES IGUALES)	Repetir con  . Examinar la sonda: Limpiar la sonda (consulte Limpiar la sonda en la página 33 para obtener más información); asegúrese de que no hay burbujas de aire en la membrana. Agite la sonda como un termómetro; conecte una sonda diferente para verificar si el problema es con la sonda o con el medidor. Examine la solución buffer: Utilice una nueva solución buffer.

Tabla 3 Advertencias y errores de medición


Error/advertencia	Solución
pH 12,78 19 °C	Repetir con  .
pH out of range (pH fuera de rango)	Examinar la sonda: Limpiar la sonda (consulte Limpiar la sonda en la página 33 para obtener más información); asegúrese de que no hay burbujas de aire en la membrana. Agite la sonda como un termómetro; conecte una sonda diferente para verificar si el problema es con la sonda o con el medidor.

Tabla 3 Advertencias y errores de medición (continúa)

Error/advertencia	Solución
Temp out of range °C (Temperatura fuera de rango °C)	Examine el sensor de temperatura. Conecte una sonda diferente para verificar si el problema es con la sonda o con el medidor.
Time > 150 s (Tiempo > 150 s)	Asegúrese de que la membrana y el diafragma se han sumergido correctamente en la muestra. Examine la temperatura. Examinar la sonda: Limpiar la sonda (consulte Limpiar la sonda en la página 33 para obtener más información); asegúrese de que no hay burbujas de aire en la membrana. Agite la sonda como un termómetro; Conecte una sonda diferente para verificar si el problema es con la sonda o con el medidor.

Piezas de repuesto y accesorios

Nota: Los números de producto y artículo pueden variar para algunas regiones de venta. Comuníquese con el distribuidor correspondiente o visite el sitio Web de la compañía para obtener la información de contacto.

Piezas de repuesto

Descripción	Referencia
Medidor de pH PH3 Lab sensION+ con accesorios, sin sonda	LPV2000.97.0002
medidor de pH PH31 Lab sensION+, GLP, con accesorios, sin sonda	LPV2100.97.0002
Medidor MM340 Lab pH & Ion sensION+, GLP, 2 canales, con accesorios, sin sonda	LPV2200.97.0002
Medidor de conductividad EC7 Lab sensION+, con accesorios, sin sonda	LPV3010.97.0002

Piezas de repuesto (continúa)

Descripción	Referencia
Medidor de conductividad EC71 Lab sensION+, GLP, con accesorios, sin sonda	LPV3110.97.0002
Medidor de laboratorio de 2 canales MM374 sensION+, GLP, accesorios, sin sondas	LPV4110.97.0002

Consumibles

Descripción	Referencia
Solución buffer de pH 4,01, 125 ml	LZW9460.99
Solución buffer de pH 7,00, 125 ml	LZW9461.97
Solución buffer de pH 10,01, 125 ml	LZW9470.99
Solución buffer de pH 4,01, 250 ml	LZW9463.99
Solución buffer de pH 7,00, 250 ml	LZW9464.97
Solución buffer de pH 10,01, 250 ml	LZW9471.99
Solución buffer de pH 4,01, 1.000 ml	LZW9466.99
Solución buffer de pH 7,00, 1.000 ml	LZW9467.97
Solución buffer de pH 10,01, 1.000 ml	LZW9472.99
Solución electrolítica (KCl 3M), 125 ml	LZW9510.99
Solución electrolítica (KCl 3M), 250 ml	LZW9500.99
Solución electrolítica (KCl 3M), 50 ml	LZW9509.99
Solución electrolítica 0,1 M, 125 ml	LZW9901.99
Solución de enzima	2964349
Solución limpiadora de pepsina	2964349
Solución limpiadora de electrodos	2965249

Consumibles (continúa)

Descripción	Referencia
Solución de HCl 0,1 N	1481253
Etolanol, 95% (Aceites y grasas)	2378900

Accesorios

Descripción	Referencia
Agitador magnético con portasensor, para medidor de mesa MM sensION+	LZW9319.99
Vasos de precipitados impresos 3x50 ml para calibración de pH de medidor de mesa	LZW9110.97
Tres portasensores, para instrumentos de medidor de mesa sensION+	LZW9321.99
Soporte y abrazadera para tres sensores	LZW9155.99
Cámara de cristal Pyrex, mediciones de flujo continuo	LZW9118.99
Protector de PP, almacenamiento de electrodos	LZW9161.99

Soluciones patrón

Soluciones buffer técnicas (DIN 19267)

Consulte en la [Tabla 4](#) los valores de pH y ORP (mV) de series de soluciones buffer con variaciones de temperatura.

Tabla 4 Valores de temperatura, pH y ORP (mV)

Temperatura		pH					mV
°C	°F						
0	32	2,01	4,01	7,12	9,52	10,30	—
10	50	2,01	4,00	7,06	9,38	10,17	245
20	68	2,00	4,00	7,02	9,26	10,06	228

Tabla 4 Valores de temperatura, pH y ORP (mV) (continúa)

Temperatura		pH					mV
°C	°F						
25	77	2,00	4,01	7,00	9,21	10,01	220
30	86	2,00	4,01	6,99	9,16	9,96	212
40	104	2,00	4,03	6,97	9,06	9,88	195
50	122	2,00	4,06	6,97	8,99	9,82	178
60	140	2,00	4,10	6,98	8,93	9,76	160
70	158	2,01	4,16	7,00	8,88	—	—
80	176	2,01	4,22	7,04	8,83	—	—
90	194	2,01	4,30	7,09	8,79	—	—

Especificações

As especificações estão sujeitas a alterações sem aviso prévio.

Especificação	Detalhes
Dimensões	35 x 20 x 11 cm (13.78 x 7.87 x 4.33 pol.)
Peso	1.100 g (2,43 lb)
Gabinete do medidor	IP42
Requisitos de alimentação (externa)	100–240 V, 0,4 A, 47-63 Hz
Classe de proteção do medidor	Classe II
Temperatura de armazenamento	–15 a +65 °C (5 a +149 °F)
Temperatura de operação	0 a 40 °C (41 a 104 °F)
Umidade de operação	< 80% (sem condensação)
Resolução	pH: 0.01; ORP: 1 mV; temperatura: 0,1 °C (0,18 °F)
Erro de medição (± 1 dígito)	pH: ≤ 0.01; ORP: ≤ 1 mV; temperatura: ≤ 0,2 °C (≤ 0,36 °F)
Reprodutibilidade (± 1 dígito)	pH: 0.01; ORP: 1 mV; temperatura: ± 0,1 °C (± 0,18 °F)
Conexões	Sonda combinada ou indicadora: conector BNC (Imp. > 10 ¹² Ω); eletrodo de referência: conector banana; A.T.C. tipo Pt 1000: conector banana ou telefónico; agitador magnético: conector RCA
Correção de temperatura	Manual, sonda de temperatura Pt 1000 (A.T.C.), sonda NTC 10 kΩ
Modo de medições	Medição contínua, por estabilidade
Tela	Cristal líquido, retroiluminada, 128 x 64 pontos

Especificação	Detalhes
Teclado	PET com tratamento protetor
Certificação	CE

Informações gerais

As edições revisadas podem ser encontradas no site do fabricante.

Informações de segurança

AVISO

O fabricante não é responsável por quaisquer danos devido ao uso ou aplicação incorreta deste produto, incluindo, sem limitação, danos diretos, acidentais ou consequenciais, e se isenta desses danos à extensão total permitida pela lei aplicável. O usuário é unicamente responsável por identificar riscos críticos de aplicação e por instalar os mecanismos apropriados para proteger os processos durante um possível mau funcionamento do equipamento.

Leia todo o manual antes de tirar da embalagem, montar ou operar esse equipamento. Preste atenção a todas as declarações de perigo e cuidado. Caso contrário, o operador poderá sofrer ferimentos graves ou o equipamento poderá ser danificado.

Certifique-se de que a proteção oferecida por este equipamento não seja afetada. Não use nem instale este equipamento de nenhuma outra forma além da especificada neste manual.

Uso de informações de risco

▲ PERIGO

Indica uma situação potencial ou iminentemente perigosa que, se não for evitada, resultará em morte ou lesão grave.

▲ ADVERTÊNCIA

Indica uma situação potencialmente perigosa que, se não for evitada, pode resultar em morte ou ferimento grave.

⚠ CUIDADO



Indica uma situação potencialmente perigosa que pode resultar em ferimento leve a moderado.

AVISO

Indica uma situação que, se não evitada, pode causar danos ao instrumento. Informações que necessitam de uma ênfase especial.

Avisos de precaução

Leia todas as etiquetas e rótulos fixados no instrumento. Caso não sejam observadas, podem ocorrer lesões pessoais ou danos ao instrumento. Um símbolo no instrumento tem sua referência no manual com uma medida preventiva.

	Este símbolo, se observado no instrumento, diz respeito ao manual de instruções para operação e/ou informações de segurança.
	O equipamento elétrico marcado com este símbolo não pode ser descartado em sistemas de descarte público ou doméstico europeus. Devolva equipamentos antigos ou no final da vida útil para o fabricante para descarte, sem custo adicional para o usuário.

Visão geral do produto

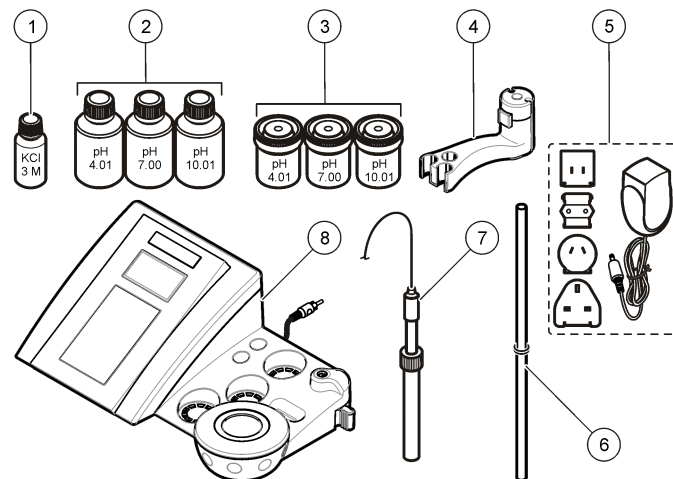
Os medidores sensION™+ são usados com sondas para medir vários parâmetros na água.

O medidor sensION™+ PH3 mede o pH, o ORP (mV) ou a temperatura.

Componentes do produto

Consulte a [Figura 1](#) para se certificar de que todos os componentes foram recebidos. Se houver itens ausentes ou danificados, entre em contato imediatamente com o fabricante ou com um representante de vendas.

Figura 1 Componentes do medidor

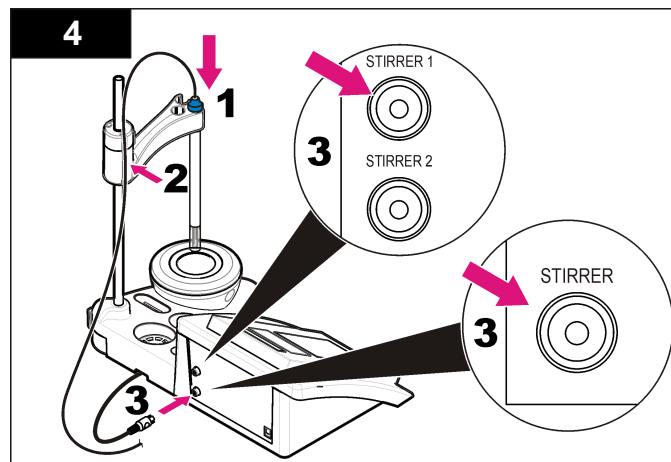
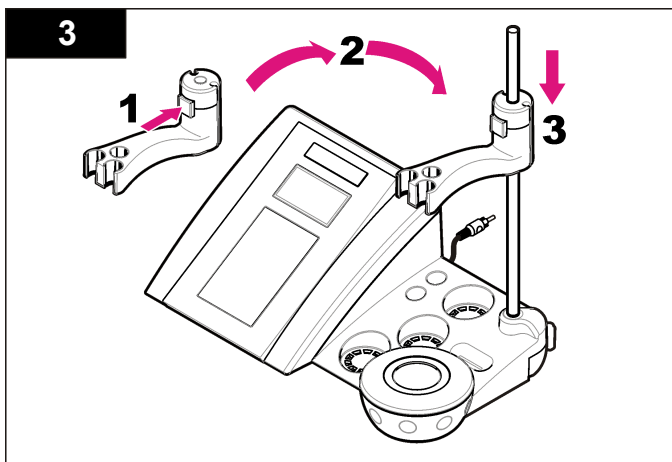
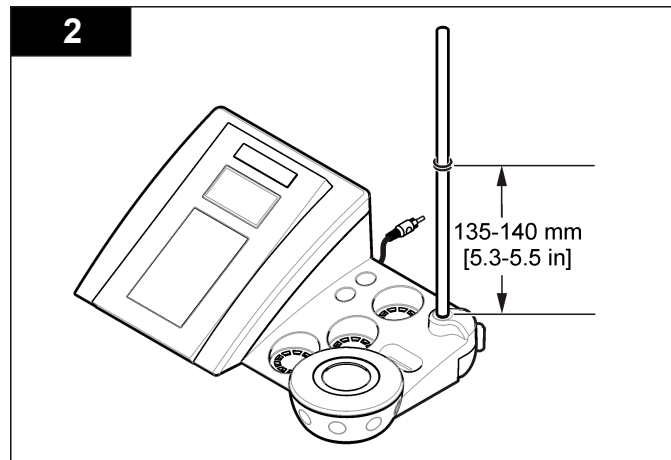
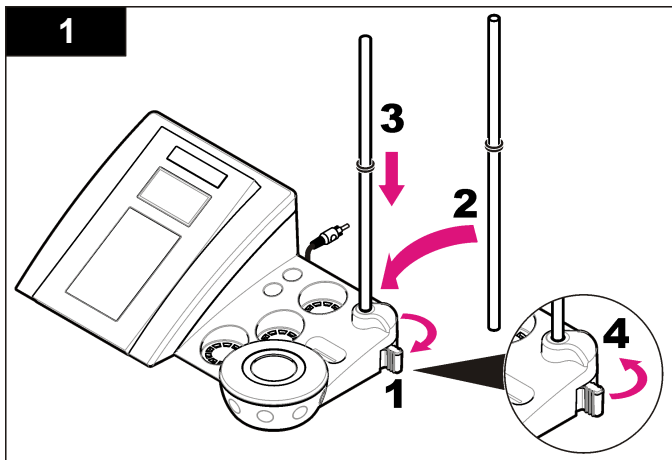


1 Eletrólito para a sonda	5 Fonte de alimentação
2 Soluções tampão (pH 4,01, pH 7,00 e pH 10,01)	6 Haste com o-rings
3 Copos de calibração (contendo barra magnética)	7 Sonda (incluída apenas nos kits)
4 Suporte da sonda	8 Medidor

Instalação


Como montar o suporte da sonda

Siga as etapas numeradas para montar o suporte da sonda e conectar o agitador magnético.



Alimentação CA

⚠ PERIGO

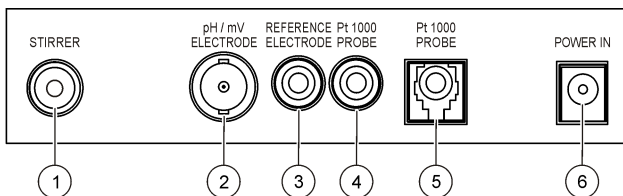


Risco de eletrocussão. Se este equipamento for usado ao ar livre ou em locais potencialmente úmidos, um dispositivo contra Falhas de Aterramento (GFCI/GFI, Ground Fault Circuit Interrupt) deve ser usado para conectar o equipamento à sua fonte principal de energia.

O medidor pode ser conectado à alimentação CA por meio do adaptador de alimentação universal.

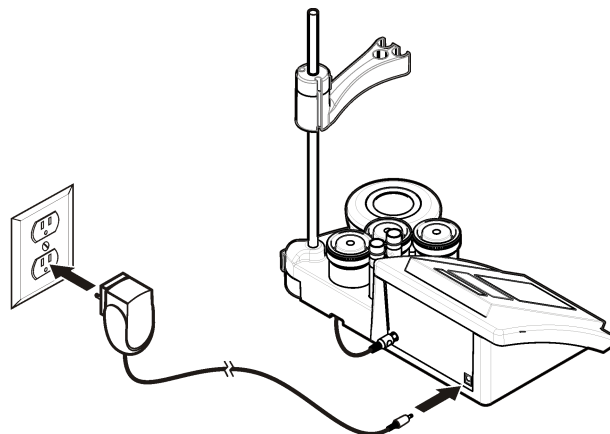
1. Selecione, no kit adaptador, o plugue adaptador correto para a tomada de parede.
2. Conecte o adaptador de alimentação universal ao medidor ([Figura 2](#)).
3. Conecte o adaptador de alimentação universal a uma tomada CA ([Figura 3](#)).
4. Ligue o medidor.

Figura 2 Painel de conectores



1 Conector do agitador magnético	4 Conector da sonda de temperatura
2 Conector do eletrodo combinado de pH (ou indicador)	5 Conector individual da sonda de temperatura
3 Conector do eletrodo de referência (eletrodos separados)	6 Fonte de alimentação

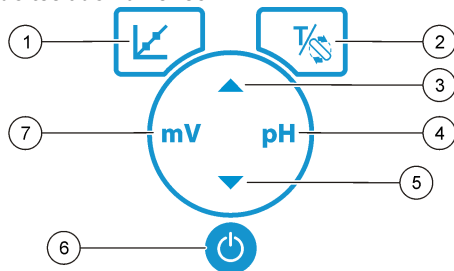
Figura 3 Conexão de alimentação CA



Interface do usuário e navegação

Interface do usuário

Descrição do teclado numérico

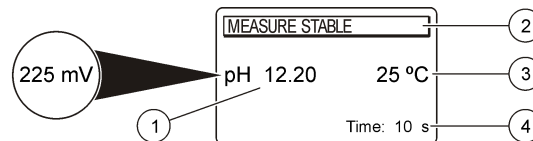


1 Tecla CALIBRATION: iniciar uma calibração, visualizar os dados da calibração e alterar a frequência de calibração	5 Tecla DOWN (PARA BAIXO): rolar para outras opções, alterar um valor
2 Tecla TEMPERATURE (TEMPERATURA) e STIRRER (MISTURADOR): alterar a temperatura (°C, °F) ou a velocidade de mistura	6 LIGAR/DESLIGAR: ligar ou desligar o medidor
3 Tecla UP (PARA CIMA): rolar para outras opções, alterar um valor	7 Tecla de medição de mV: iniciar uma medição de ORP (mV)
4 Tecla de medição de pH: iniciar uma medição de pH	

Descrição do visor

O visor do medidor mostra a concentração, as unidades, a temperatura, o estado de calibração, a data e a hora.

Figura 4 Exibição em tela única



1 Unidade e valor de medição (pH, ORP (mV))	3 Temperatura da amostra (°C ou °F)
2 Modo de medição ou data e hora	4 Cronômetro visual da medição

Navegação

Use a tecla de calibração para calibrar a sonda. Use a tecla de parâmetros para fazer uma medição de amostra. Use a tecla TEMPERATURE (TEMPERATURA) e STIRRER (MISTURADOR) para alterar a temperatura (°C, °F) ou a velocidade da mistura. Use as teclas de seta para rolar até outras opções ou alterar um valor. Observe o monitor durante as tarefas, pois as telas mudam rapidamente. Para obter instruções específicas, consulte cada tarefa.

Inicialização

Ligue ou desligue o medidor

AVISO

Verifique se a sonda está conectada ao medidor antes de ligá-lo.

Pressione a tecla para ligar ou desligar o medidor. Se o medidor não ligar, verifique se a fonte de alimentação CA está devidamente conectada a uma tomada elétrica.

Altere o idioma



O idioma da tela é selecionado quando o medidor é ligado pela primeira vez.

Use ▲ ou ▼ para selecionar um idioma na lista. O medidor retorna automaticamente à tela de medição após 3 segundos.

Observação: ▲ Para alterar o idioma, no menu principal, pressione .

Operação padrão




Calibração


▲ PERIGO	
	Risco de exposição a produtos químicos. Obedeça aos procedimentos de segurança laboratoriais e use todos os equipamentos de proteção individual adequados aos produtos químicos que estão sendo manipulados. Consulte as planilhas de dados de segurança de (MSDS/SDS) atuais para verificar os protocolos de segurança.
	

Procedimento de calibração

Este procedimento se destina ao uso geral com soluções líquidas de calibração. Para obter mais informações, consulte os documentos que acompanham cada sonda.


Observação: As soluções devem ser agitadas durante a calibração. Para obter mais informações sobre configuração da agitação, consulte [Como alterar as configurações de agitação](#) na página 45.

1. Despeje as soluções tampão ou de calibração nos copos de calibração etiquetadas.
2. No menu principal, pressione  para selecionar calibração de pH ou de mV.
3. Enxágue a sonda com água deionizada e coloque-a no primeiro copo de calibração. Certifique-se de não haver bolhas de ar na membrana.
4. Pressione  para medir a primeira solução de calibração. A próxima solução de calibração será exibida.
5. Enxágue a sonda com água deionizada e coloque-a no segundo copo de calibração. Certifique-se de não haver bolhas de ar na membrana.
6. Pressione  para medir a segunda solução de calibração. A solução de calibração seguinte será exibida.

7. Enxágue a sonda com água deionizada e coloque-a no terceiro copo de calibração. Certifique-se de não haver bolhas de ar na membrana.
8. Pressione  para medir a terceira solução de calibração. Quando a calibração estiver correta, o visor exibirá 3ª Tampão OK brevemente e retornará ao menu principal.

Visualização dos dados da calibração


É possível exibir os dados da calibração mais recente.

1. No menu principal, pressione .
2. Use ▼ para visualizar os dados da última calibração. O medidor retorna automaticamente para a tela de medição após 3 segundos.

Ajuste do lembrete de calibração

O lembrete de calibração pode ser ajustado entre 0 e 23 horas ou 1 a 7 dias (predefinido: 1 dia). O visor mostra o tempo restante até a nova calibração.

Observação: Selecionar 0 dia equivale a desativar o lembrete de calibração.

1. No menu principal, pressione  e ▼ até que o display exiba Frequência de calibração.
2. Use o ▲ ou ▼ para mudar o valor. O medidor retorna automaticamente à tela de medição após 3 segundos.

Medições de amostras

Cada sonda tem etapas e procedimentos de preparação específicos para a coleta de medições de amostras. Para obter instruções passo a passo, consulte os documentos que acompanham a sonda.

Observação: As soluções devem ser misturadas durante a medição. Para obter mais informações sobre configurações de mistura, consulte [Como alterar as configurações de agitação](#) na página 45.

Observação: Se a sonda de temperatura não estiver conectada, a temperatura não será exibida durante uma medição de ORP (mV).

Pressione pH ou ORP (mV) para fazer uma medição de amostra. Durante as medições, o parâmetro pisca e o temporizador mostra o

tempo de estabilização. Para alterar o parâmetro de medição (se aplicável), pressione e mantenha pressionado pH ou ORP (mV).

Para medir a amostra de maneira contínua, pressione pH ou ORP (mV) para iniciar uma medição. Durante a estabilização, pressione pH ou ORP (mV) novamente. O parâmetro pisca indicando o modo de medição contínua.

Operação avançada

Altere a data e a hora

A data e a hora podem ser alteradas no menu Data e Hora.

1. Use ▼ para acessar o menu Data e Hora. Formato de data e hora: dd-mm-aaaa 24h.
O atributo a ser alterado será realçado automaticamente e avançará ao próximo atributo se ▲ nem ▼ for pressionado.
2. Para alterar um atributo, pressione ▲ ou ▼ quando o atributo realçado estiver selecionado.
A data e a hora atuais serão mostradas na tela.

Como ajustar o contraste do visor

1. Pressione ▲ e ▼ simultaneamente para acessar o menu Contraste do visor.
2. Use ▲ ou ▼ para ajustar o contraste do visor. O medidor retorna automaticamente à tela de medição após 3 segundos.

Como alterar as configurações de agitação

A velocidade de mistura pode ser alterada durante a calibração e uma medição.

1. Pressione $\frac{T}{S}$ durante a calibração ou uma medição para acessar o menu de mistura.
2. Use ▲ ou ▼ para alterar a velocidade de mistura, em %.

Como alterar as unidades de temperatura

As unidades de temperatura podem ser alteradas para Celsius ou Fahrenheit.

1. Na tela principal, pressione $\frac{T}{S}$.
2. Pressione $\frac{T}{S}$ para escolher entre Celsius e Fahrenheit.

Manutenção

▲ CUIDADO



Vários perigos. Somente pessoal qualificado deve realizar as tarefas descritas nesta seção do manual.

AVISO

Não desmonte o instrumento para manutenção. Caso seja necessário limpar ou reparar componentes internos, entre em contato com o fabricante.

Como limpar o instrumento

AVISO

Nunca use agentes de limpeza tais como terebintina, acetona ou produtos semelhantes para limpar o instrumento, inclusive o monitor e os acessórios.

Limpe o exterior do instrumento com um pano úmido e uma solução de sabão neutro.

Limpeza da sonda

Limpe a sonda conforme a necessidade. Consulte [Resolução de problemas](#) na página 48 para obter mais informações sobre limpeza. Consulte a documentação da sonda para obter informações sobre sua manutenção.

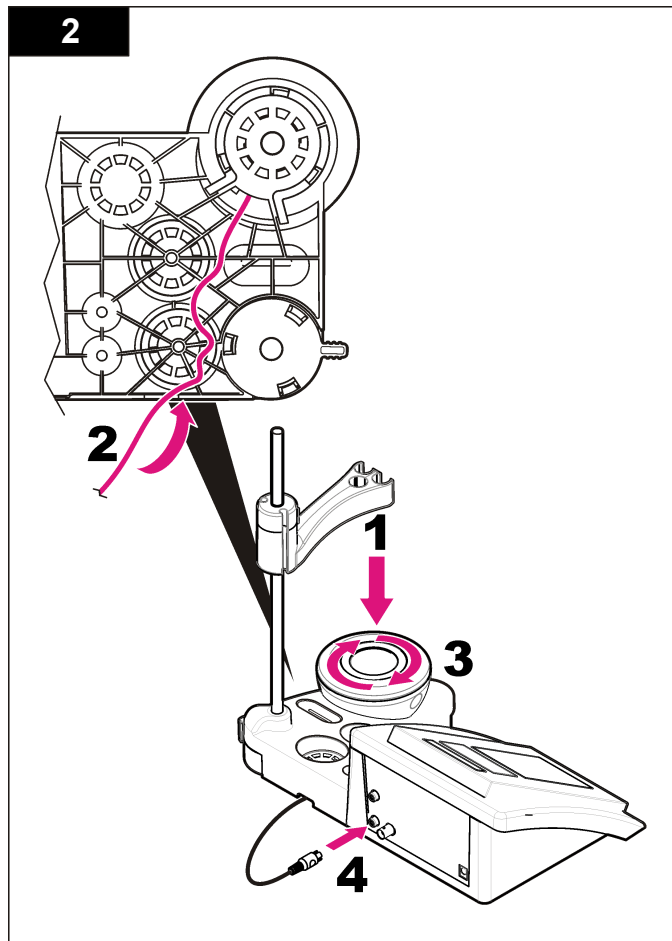
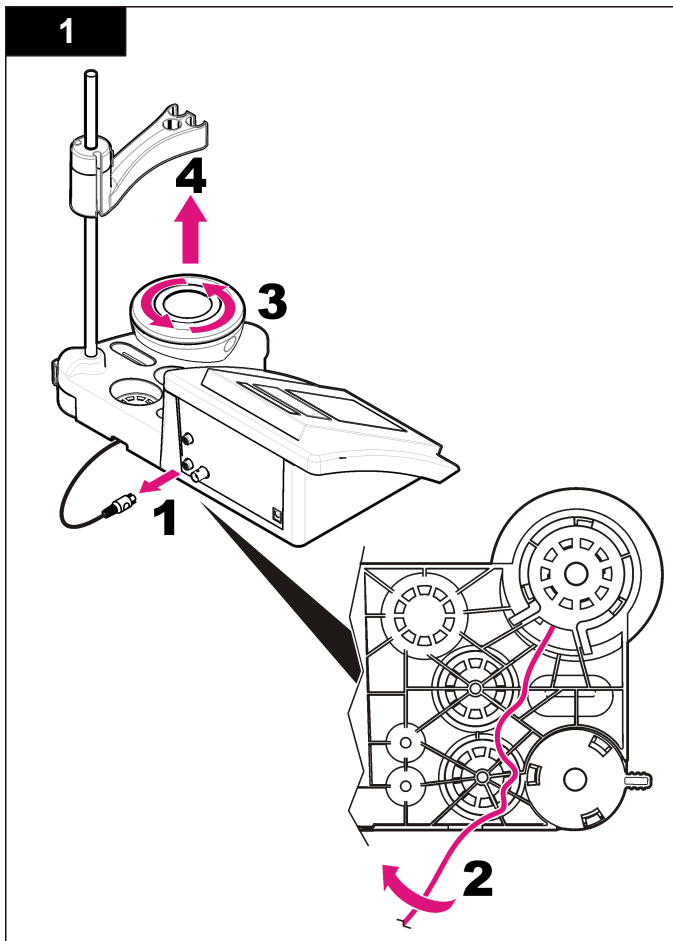
Use os agentes de limpeza relacionados na [Tabela 1](#) contra contaminações na sonda de pH.

Tabela 1 Agentes de limpeza para a sonda de pH

Contaminação	Agente de limpeza
Proteínas	Solução de limpeza de pepsinas
Graxa, óleos, gorduras	Solução de limpeza de eletrodos
Depósitos calcários	Solução de HCl a 0,1 N

Substituição do agitador magnético

Se o agitador magnético não se iniciar, siga as etapas numeradas para substituí-lo.



Resolução de problemas

Consulte a tabela a seguir com relação a sintomas e mensagens de problemas comuns, possíveis causas e ações corretivas.

Tabela 2 Advertências e erros de calibração




Erro/Advertência	Solução
Asymmetry > 58 mV (Assimetria > 58 mV)	Inclinação fora da faixa (valores aceitáveis ± 58 mV). Repetir com  . Conecte uma nova sonda.
Buffer or electrode in poor conditions. (Tampão ou eletrodo em más condições.)	Repetir com  . Examine a sonda: limpe-a (consulte Limpeza da sonda na página 45 para obter mais informações); certifique-se de não haver bolhas de ar na membrana. Agite a sonda como se faz com um termômetro; conecte uma sonda diferente para verificar se o problema é com a sonda ou o medidor.
Sens. (a) < 70%	Examine a solução tampão: certifique-se de que o tampão usado corresponda ao especificado na configuração; verifique a especificação de temperatura na configuração; use uma nova solução tampão.
BUFFER NOT RECOGNIZED (TAMPÃO NÃO RECONHECIDO)	
UNSTABLE READING (LEITURA INSTÁVEL) Time t > 100 s (Tempo t > 100 s)	Repetir com  . Examine a sonda: limpe-a (consulte Limpeza da sonda na página 45 para obter mais informações); certifique-se de não haver bolhas de ar na membrana. Agite a sonda como se faz com um termômetro; conecte uma sonda diferente para verificar se o problema é com a sonda ou o medidor. Verifique se a membrana e o diafragma estão corretamente imersos na amostra.

Tabela 2 Advertências e erros de calibração (continuação)


Erro/Advertência	Solução
Electrode in poor conditions. (Eletrodo em más condições.)	Examine a sonda: limpe-a (consulte Limpeza da sonda na página 45 para obter mais informações); certifique-se de não haver bolhas de ar na membrana. Agite a sonda como se faz com um termômetro; conecte uma sonda diferente para verificar se o problema é com a sonda ou o medidor.
Verifique o eletrodo	
SAME BUFFERS (MESMOS TAMPÕES)	Repetir com  . Examine a sonda: limpe-a (consulte Limpeza da sonda na página 45 para obter mais informações); certifique-se de não haver bolhas de ar na membrana. Agite a sonda como se faz com um termômetro; conecte uma sonda diferente para verificar se o problema é com a sonda ou o medidor. Examine a solução tampão. Use uma nova solução tampão.

Tabela 3 Advertências e erros de medição


Erro/Advertência	Solução
pH 12,78 19°C	Repetir com  .
pH fora do intervalo	Examine a sonda: limpe-a (consulte Limpeza da sonda na página 45 para obter mais informações); certifique-se de não haver bolhas de ar na membrana. Agite a sonda como se faz com um termômetro; conecte uma sonda diferente para verificar se o problema é com a sonda ou o medidor.

Tabela 3 Advertências e erros de medição (continuação)

Erro/Advertência	Solução
Temp out of range °C (Temperatura fora do intervalo °C)	Examine o sensor de temperatura. Conecte uma sonda diferente para verificar se o problema está na sonda ou no medidor.
Time > 150 s (Tempo > 150 s)	Verifique se a membrana e o diafragma estão corretamente imersos na amostra. Examine a temperatura. Examine a sonda: limpe-a (consulte Limpeza da sonda na página 45 para obter mais informações); certifique-se de não haver bolhas de ar na membrana. Agite a sonda como se faz com um termômetro; conecte uma sonda diferente para verificar se o problema é com a sonda ou o medidor.

Peças e acessórios de reposição

Observação: Os códigos dos produtos podem variar para algumas regiões. Entre em contato com o distribuidor apropriado ou consulte o website da empresa para obter informações de contato.

Peças de reposição

Descrição	Nº de item
Medidor de pH de bancada sensION+ PH3 com acessórios, sem sonda	LPV2000.97.0002
Medidor de pH de bancada sensION+ PH31, GLP, com acessórios, sem sonda	LPV2100.97.0002
Medidor de pH e íons laboratorial sensION+ MM340, GLP, 2 canais, com acessórios, sem sonda	LPV2200.97.0002
Medidor de condutividade laboratorial sensION+ EC7, com acessórios, sem sonda	LPV3010.97.0002

Peças de reposição (continuação)

Descrição	Nº de item
Medidor de condutividade laboratorial sensION+ EC71, GLP, com acessórios, sem sonda	LPV3110.97.0002
Medidor laboratorial sensION+ MM374, 2 canais, GLP, acessórios, sem sondas	LPV4110.97.0002

Consumíveis

Descrição	Nº de item
Solução tampão de pH 4,01, 125 mL	LZW9460.99
Solução tampão de pH 7,00, 125 mL	LZW9461.97
Solução tampão de pH 10,01, 125 mL	LZW9470.99
Solução tampão de pH 4,01, 250 mL	LZW9463.99
Solução tampão de pH 7,00, 250 mL	LZW9464.97
Solução tampão de pH 10,01, 250 mL	LZW9471.99
Solução tampão de pH 4,01, 1.000 mL	LZW9466.99
Solução tampão de pH 7,00, 1.000 mL	LZW9467.97
Solução tampão de pH 10,01, 1.000 mL	LZW9472.99
Solução eletrolítica (KCl 3 M), 125 ml	LZW9510.99
Solução eletrolítica (KCl 3 M), 250 ml	LZW9500.99
Solução eletrolítica (KCl 3 M), 50 ml	LZW9509.99
Solução eletrolítica (0,1 M), 125 ml	LZW9901.99
Solução enzimática	2964349
Solução de limpeza de pepsinas	2964349
Solução de limpeza de eletrodos	2965249

Consumíveis (continuação)

Descrição	Nº de item
Solução de HCl a 0,1 N	1481253
Etanol, 95% (graxa, óleos, gorduras)	2378900

Acessórios

Descrição	Nº de item
Agitador magnético com suporte de sensor, para bancada sensION+ MM	LZW9319.99
Copos 3 x 50 ml identificados por impressão para calibração de pH da bancada	LZW9110.97
Suporte para três sensores, para instrumentos de bancada sensION+	LZW9321.99
Suporte e braçadeira para os três sensores	LZW9155.99
Câmara em vidro pirex, medições de fluxo contínuas	LZW9118.99
Protetor PP, armazenamento de eletrodos	LZW9161.99

Soluções padrão

Soluções técnicas de tamponamento (DIN 19267)

Consulte a [Tabela 4](#) para obter os valores de pH e ORP (mV) das configurações de tamponamento específicas a diferentes temperaturas.

Tabela 4 Valores de pH, ORP (mV) e temperatura

Temperatura		pH					mV
°C	°F						
0	32	2.01	4.01	7.12	9.52	10.30	—
10	50	2.01	4.00	7.06	9.38	10.17	245
20	68	2.00	4.00	7.02	9.26	10.06	228

Tabela 4 Valores de pH, ORP (mV) e temperatura (continuação)

Temperatura		pH					mV
°C	°F						
25	77	2.00	4.01	7.00	9.21	10.01	220
30	86	2.00	4.01	6.99	9.16	9.96	212
40	104	2.00	4.03	6.97	9.06	9.88	195
50	122	2.00	4.06	6.97	8.99	9.82	178
60	140	2.00	4,10	6.98	8.93	9.76	160
70	158	2.01	4.16	7.00	8.88	—	—
80	176	2.01	4.22	7.04	8.83	—	—
90	194	2.01	4.30	7.09	8.79	—	—

规格

产品规格如有变化，恕不另行通知。

规格	详细信息
尺寸	35 x 20 x 11 厘米 (13.78 x 7.87 x 4.33 英寸)
重量	1100 克 (2.43 磅)
仪表外壳	IP42
电源要求 (外部)	100–240 V, 0.4 A, 47-63 Hz
仪表保护等级	II 级
存储温度	-15 至 +65 °C (5 至 +149 °F)
操作温度	0 至 40 °C (41 至 104 °F)
操作湿度	< 80% (无冷凝)
分辨率	pH: 0.01, ORP: 1 mV, 温度: 0.1 °C (0.18 °F)
测量误差 (± 1 位)	pH: ≤ 0.01, ORP: ≤ 1 mV, 温度: ≤ 0.2 °C (≤ 0.36 °F)
可再现性 (± 1 位)	pH: ± 0.01, ORP: ± 1 mV, 温度: ± 0.1 °C (± 0.18 °F)
连接	组合式或指示探头: BNC 接头 (阻抗 >10 ¹² Ω); 参比电极: 蕉型接头; A.T.C. 型 Pt 1000: 蕉型或电话接头; 电磁搅拌器: RCA 接头
温度校正	手动, Pt 1000 温度探头 (A.T.C.), NTC 10 kΩ 探头
测量显示屏锁	连续测量, 按稳定性
显示屏	液晶, 背光, 128 x 64 点
键盘	PET, 经防护处理
认证	CE

基本信息

修订版可在制造商的网站上找到。

安全信息

注意

对于误用和滥用造成的产品损坏，制造商概不负责，包括但不限于：直接、附带和间接的损坏，并且对于适用法律允许的最大程度的损坏也不承担任何责任。用户唯一的责任是识别重大应用风险和安装适当的系统，以在设备可能出现故障时保护工艺。

请在拆开本设备包装、安装或使用本设备前，完整阅读本手册。特别要注意所有的危险警告和注意事项。否则，可能会对操作者造成严重的人身伤害，或者对设备造成损坏。

确保设备提供的保护没有受损。请勿以本手册指定方式之外的其它方式使用或安装本设备。

危险信息使用

▲ 危险

表示潜在的或紧急的危险情况，如果不加以避免，将会导致死亡或严重伤害。

▲ 警告

表示潜在或非非常危险的情形，如不可避免，可能导致严重的人身伤亡。

▲ 警告



表示潜在的危险情形，可能导致一定程度的人身伤害。

注意

表明如不加以避免则会导致仪器损坏的情况。需要特别强调的信息。

警告标签

请阅读贴在仪器上的所有标签和标记。如未遵照这些安全标签的指示操作，则可能造成人身伤害或仪器损坏。仪器上的符号在手册中通过警告说明参考。

	<p>本符号如果出现在仪器中，则表示参考说明手册中的操作和/或安全信息。</p>
	<p>标有此符号的电气设备在欧洲不能通过家庭或公共垃圾系统进行处理。请将老旧或报废设备寄回至制造商处进行处理，用户无需承担费用。</p>

产品概述

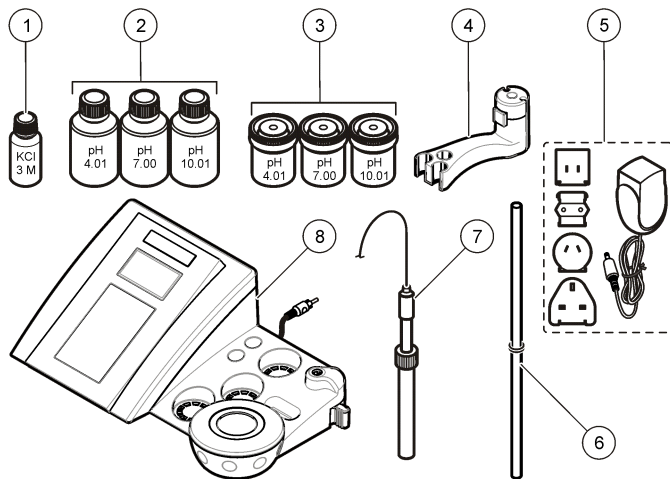
sensION™+ 仪表与探头配套使用，可测量水的各种参数。

sensION™+ PH3 仪表可测量 pH、ORP (mV) 或温度。

产品组件

请参考图 1，确保已收到所有组件。如有任何物品丢失或损坏，请立即联系制造商或销售代表。

图 1 仪表组件

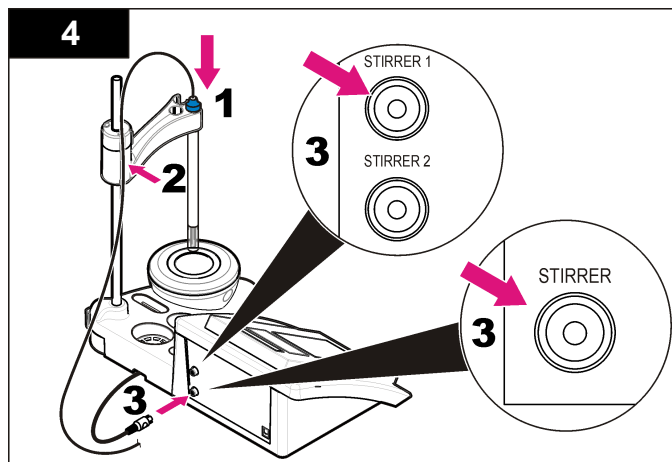
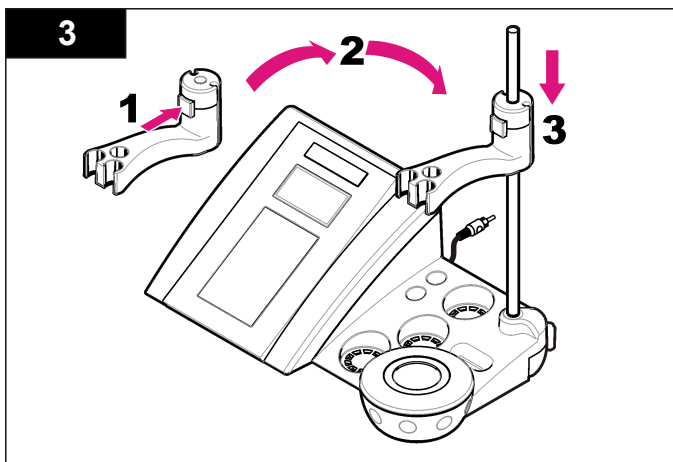
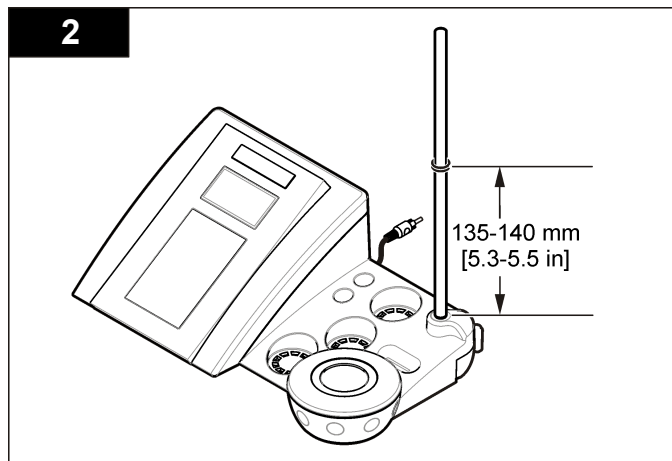
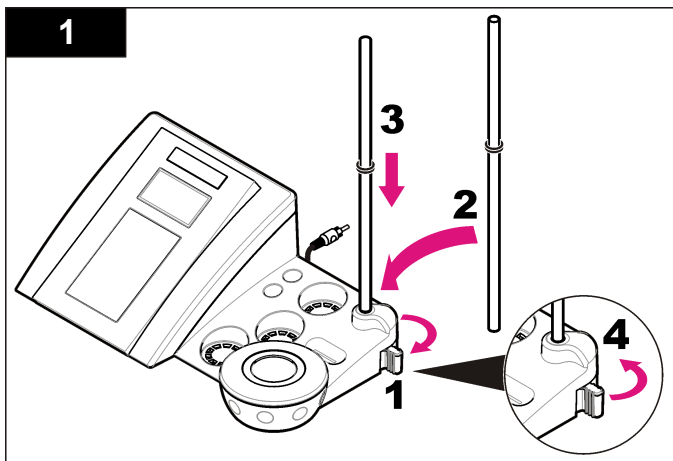


1 适用于探头的电解液	5 电源
2 缓冲溶液 (pH 4.01、pH 7.00 和 pH 10.01)	6 带有 o 形环的直棒
3 校准烧杯 (内置磁棒)	7 探头 (仅包含在套件中)
4 探头座	8 仪表

安装

装配探头座

按照编号步骤装配探头座并连接到电磁搅拌器。



连接到交流电源

⚠ 危险

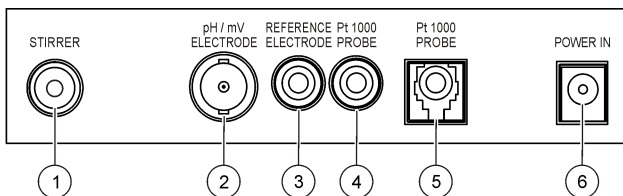


存在电击致命危险。如果此设备在户外或在可能潮湿的场所使用，则必须使用接地故障电路中断器 (GFCI/GFI) 将此设备连接到其主电源。

仪表可以通过带有通用电源适配器套件的交流电源供电。

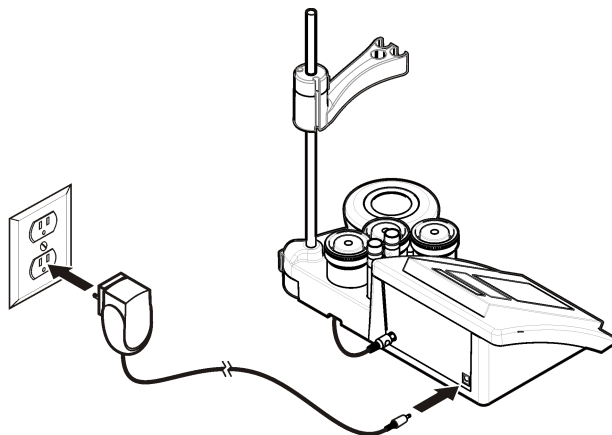
1. 从适配器套件为电源插座选择正确的适配器插头。
2. 将通用电源适配器连接到仪表（图 2）。
3. 将通用电源适配器连接到交流电源插座（图 3）。
4. 打开仪表。

图 2 接头面板



1 电磁搅拌器接头	4 温度探头接头
2 组合式 pH 电极（或指示电极）接头	5 分离式温度探头接头
3 参比电极（分离式电极）接头	6 电源

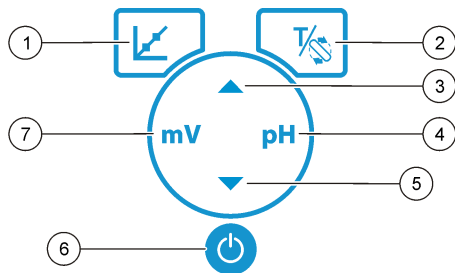
图 3 交流电源连接



用户界面及导航

用户界面

键盘说明

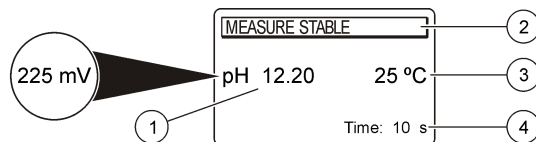


1 CALIBRATION (校准) 键: 开始校准, 查看校准数据及更改校准频率	5 向下键: 滚动至其他选项, 更改某值
2 TEMPERATURE (温度) 和 STIRRER (搅拌器) 键: 更改温度 (°C 或 °F) 或搅拌速度	6 ON/OFF (开/关): 打开或关闭仪表
3 向上键: 滚动至其他选项, 更改某值	7 mV 测量键: 开始 ORP (mV) 测量
4 pH 测量键: 开始 pH 测量	

显示屏说明

仪表显示屏显示浓度、单位、温度、校准状态、日期和时间。

图 4 单屏幕显示



1 测量单位和值 (pH、ORP (mV))	3 试样温度 (°C 或 °F)
2 测量模式或时间和日期	4 可视测量计时器

导航

使用校准键 校准探头。使用参数键进行试样测量。使用 TEMPERATURE (温度) 和 STIRRER (搅拌器) 键 更改温度 (°C 或 °F) 或搅拌速度。使用箭头键 滚动至其他选项或更改值。请确保在任务执行过程中注视屏幕, 因为屏幕变化很快。有关特定说明, 请参考每个任务。

启动

开启和关闭仪表。

注意

在开启仪表之前, 确保探头已与仪表相连。

按 以开启或关闭仪表。如果仪表未开启, 请确保交流电源已正确连接至电源插座。


更改语言

当仪表首次上电时, 选择显示语言。使用 或 从列表中选择语言。仪表会在 3 秒钟后自动返回到测量屏幕。

注: 要从主菜单更改语言, 请按。

标准操作





校准

▲ 危险	
	存在化学品暴露风险。遵守实验室安全规程，穿戴适用于所处理化学品的所有个人防护装备。有关安全协议，请参阅当前安全数据表 (MSDS/SDS)。

校准过程



此过程对液体校准溶液是通用的。有关详细信息，请参考每个探头随附的文档。

注：应在校准过程中搅拌溶液。有关搅拌设置的详细信息，请参考更改搅拌设置第 57。

1. 将缓冲溶液或校准溶液倒入贴有标签的校准烧杯中。
2. 从主菜单，按  选择 pH 或 mV 校准。
3. 使用去离子水清洗探头，然后将探头放在第一个校准烧杯中。确保膜中没有气泡。
4. 按  测量第一份校准溶液。
此时将显示下一份校准溶液。
5. 使用去离子水清洗探头，然后将探头放在第二个校准杯中。确保膜中没有气泡。
6. 按  测量第二份校准溶液。
此时将显示下一份校准溶液。
7. 使用去离子水清洗探头，然后将探头放在第三个校准杯中。确保膜中没有气泡。
8. 按  测量第三份校准溶液。
在校准情况良好时，显示屏将短暂显示 3rd Buffer OK（第三份缓冲溶液正常），然后返回主菜单。

查看校准数据





大多数最近校准中的数据都能显示。

1. 在主菜单中按 。
2. 使用  查看最新校准数据。仪表会在 3 秒钟后自动返回到测量屏幕。

设置校准提醒

校准提醒可以设置在 0 至 23 小时或 1 至 7 天之间（默认为 1 天）。此屏幕显示距离新校准的剩余时间。

注：当选择 0 天时，关闭校准提醒。

1. 从主菜单，先后按  和 ，直到显示 Cal. frequency（校准频率）。
2. 使用  或  更改值。
仪表会在 3 秒钟后自动返回到测量屏幕。

试样测量

每个探头都有适用于进行试样测量的特定准备步骤和过程。有关分步说明，请参阅随每个探头附带的文档。

注：应在测量过程中搅拌溶液。有关搅拌设置的详细信息，请参考更改搅拌设置第 57。

注：如果未连接温度探头，则在 ORP (mV) 测量期间不显示温度。

按 pH 或 ORP (mV) 进行试样测量。在测量过程中，参数闪烁，定时器会显示稳定时间。要更改测量参数（如果适合），请按住 pH 或 ORP (mV) 不放。

要连续测量试样，请按 pH 或 ORP (mV) 以开始测量，并在稳定期间再次按 pH 或 ORP (mV)。参数将闪烁，以指示连续测量模式。

高级操作

更改日期和时间

可从 Date / Time（日期/时间）菜单中更改日期和时间。

1. 使用  进入 Date / Time（日期/时间）菜单。日期和时间格式为：dd-mm-yyyy 24h。

待更改的属性将会自动加亮，而如果没有按 ▲ 或 ▼，则会前进到下一属性。


2. 要更改属性，请在选择加亮的属性时，按 ▲ 或 ▼。显示屏上将显示当前日期和时间。

调整显示对比度

1. 同时按下 ▲ 和 ▼ 进入显示对比度菜单。
2. 使用 ▲ 或 ▼ 调整显示对比度。仪表会在 3 秒钟后自动返回到测量屏幕。



更改搅拌设置

校准和测量过程中都可以更改搅拌速度。

1. 在校准或测量过程中，按  进入 Stiring（搅拌）菜单。
2. 使用 ▲ 或 ▼ 按百分比更改搅拌速度。

更改温度单位

温度单位可以更改为摄氏度或华氏度。

1. 从主菜单，按 。
2. 按  选择 Celsius（摄氏度）或 Fahrenheit（华氏度）。

维护

▲ 警告



多种危险。只有合规的专业人员才能从事文件中本部分所述的任务。

注意

请勿拆卸仪器进行维护。如果必须清洁或维修内部组件，请联系制造商。

清洁仪器

注意

切勿使用松节油、丙酮或类似清洁剂来清洁仪器，包括显示屏和附件。

使用湿布和加温的肥皂溶液清洁仪器的外部。

清洁探头

按需要清洁探头。有关清洁的详细信息，请参考[故障排除](#)第 59。有关探头维护的信息，请参考探头文档。

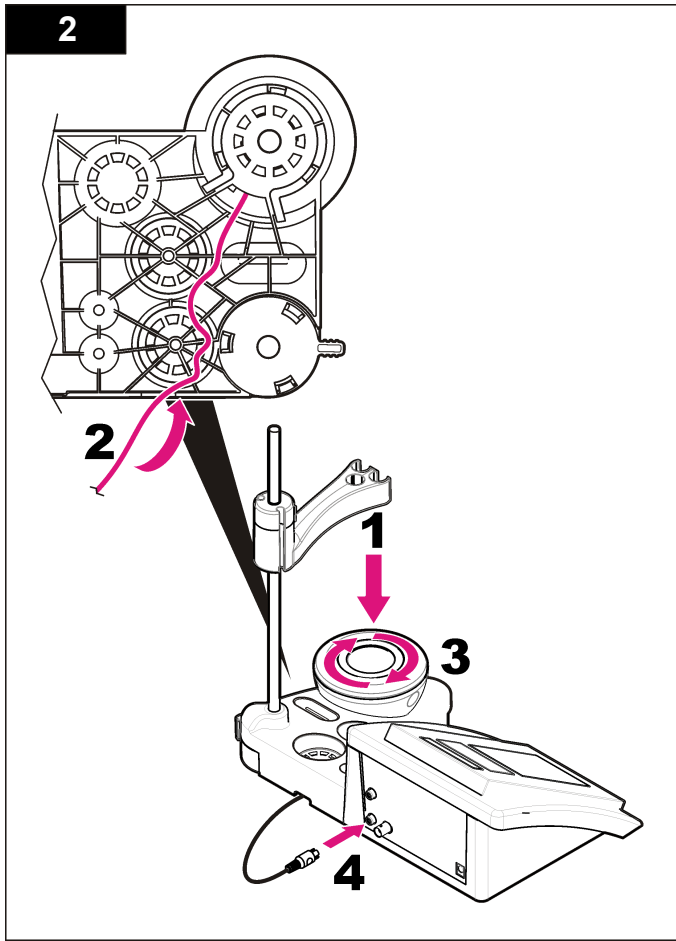
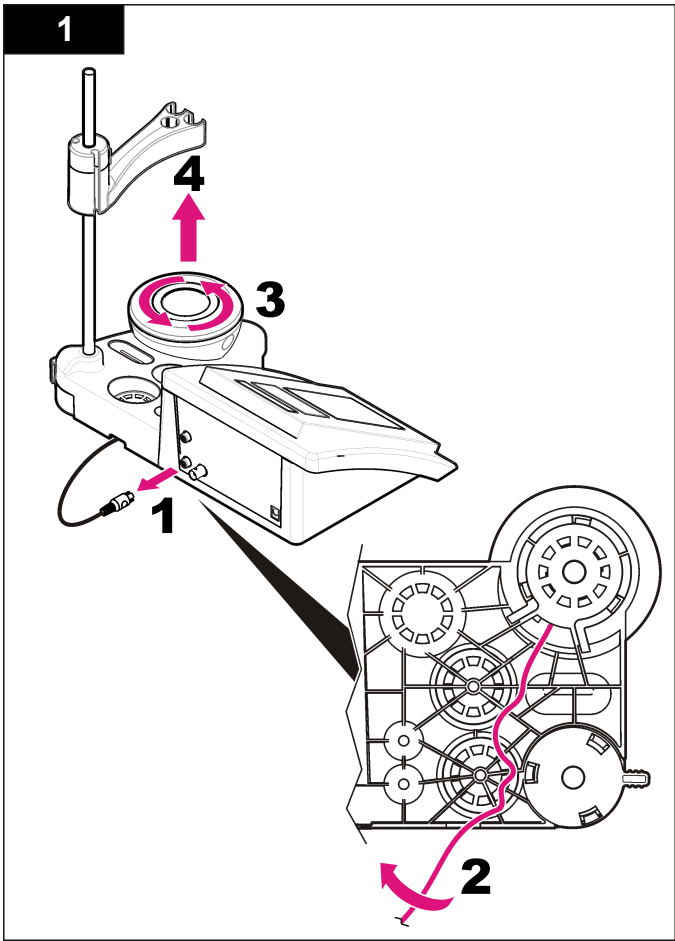
使用表 1 中列出的清洁剂来处理 pH 探头上的污染物。

表 1 适用于 pH 探头的清洁剂

污染物	清洁剂
蛋白质	胃蛋白酶清洗液
油脂、油、脂肪	电极清洁液
水垢	0.1 N HCl 溶液

更换电磁搅拌器

如果电磁搅拌器不启动，请按照编号步骤更换电磁搅拌器。



故障排除

有关常见问题消息或故障现象、可能的原因和纠正措施，请参阅以下表格。

表 2 校准警告和错误






错误/警告	解决方案
不对称性 > 58 mV	斜率超出范围（接受值 ± 58 mV）。 使用  进行重复。 连接新探头。
缓冲溶液或电极状况不佳。	使用  进行重复。 检查探头：清洁探头（有关详细信息，请参考 清洁探头 第 57）；确保膜中没有气泡。像摇晃温度计一样摇晃探头；连接不同的探头，以检验探头或仪表是否存在问题。
灵敏度(a) < 70%	检查缓冲溶液；确保所用的缓冲溶液符合配置中指定的要求；确保符合配置中的温度规格；使用新的缓冲溶液。
未识别缓冲溶液	
读数不稳定 时间 $t > 100$ 秒	使用  进行重复。 检查探头：清洁探头（有关详细信息，请参考 清洁探头 第 57）；确保膜中没有气泡。像摇晃温度计一样摇晃探头；连接不同的探头，以检验探头或仪表是否存在问题。 确保隔膜和膜片正确浸入试样中。
电极状况不佳。	检查探头：清洁探头（有关详细信息，请参考 清洁探头 第 57）；确保膜中没有气泡。像摇晃温度计一样摇晃探头；连接不同的探头，以检验探头或仪表是否存在问题。
检查电极	
缓冲溶液相同	使用  进行重复。 检查探头：清洁探头（有关详细信息，请参考 清洁探头 第 57）；确保膜中没有气泡。像摇晃温度计一样摇晃探头；连接不同的探头，以检验探头或仪表是否存在问题。 检查缓冲溶液；使用新的缓冲溶液。

表 3 测量警告和错误

错误/警告	解决方案
pH 12.78 19°C	使用  进行重复。
pH 超出范围	检查探头：清洁探头（有关详细信息，请参考 清洁探头 第 57）；确保膜中没有气泡。像摇晃温度计一样摇晃探头；连接不同的探头，以检验探头或仪表是否存在问题。
温度超出范围	检查温度传感器。 连接不同的探头，以检验探头或仪表是否存在问题。
时间 > 150 秒	确保隔膜和膜片正确浸入试样中。 检查温度。 检查探头：清洁探头（有关详细信息，请参考 清洁探头 第 57）；确保膜中没有气泡。像摇晃温度计一样摇晃探头；连接不同的探头，以检验探头或仪表是否存在问题。

更换部件与附件

注：一些销售地区的产品和物品数量可能有所不同。请与相关分销商联系或参阅公司网站上的联系信息。

更换部件

说明	物品编号
sensION+ PH3 实验室 pH 仪表，带配件，不带探头	LPV2000.97.0002
sensION+ PH31 实验室 pH 仪表，GLP，带配件，不带探头	LPV2100.97.0002
sensION+ MM340 实验室 pH 和离子仪表，GLP，2 通道，带配件，不带探头	LPV2200.97.0002
sensION+ EC7 实验室电导率仪表，带配件，不带探头	LPV3010.97.0002
sensION+ EC71 实验室电导率仪表，GLP，带配件，不带探头	LPV3110.97.0002
sensION+ MM374，2 通道实验室仪表，GLP，带配件，不带探头	LPV4110.97.0002

消耗品

说明	物品编号
pH 缓冲溶液 4.01, 125 mL	LZW9460.99
pH 缓冲溶液 7.00, 125 mL	LZW9461.97
pH 缓冲溶液 10.01, 125 mL	LZW9470.99
pH 缓冲溶液 4.01, 250 mL	LZW9463.99
pH 缓冲溶液 7.00, 250 mL	LZW9464.97
pH 缓冲溶液 10.01, 250 mL	LZW9471.99
pH 缓冲溶液 4.01, 1000 mL	LZW9466.99
pH 缓冲溶液 7.00, 1000 mL	LZW9467.97
pH 缓冲溶液 10.01, 1000 mL	LZW9472.99
电解液 (KCl 3M), 125 mL	LZW9510.99
电解液 (KCl 3M), 250 mL	LZW9500.99
电解液 (KCl 3M), 50 mL	LZW9509.99
电解液 0.1 M, 125 mL	LZW9901.99
酶溶液	2964349
胃蛋白酶清洗液	2964349
电极清洁液	2965249
0.1 N HCl 溶液	1481253
酒精, 95% (油脂、油、脂肪)	2378900

配件

说明	物品编号
带传感器座的电磁搅拌器, 用于 sensION+ MM 台式仪表	LZW9319.99
3x50 mL 带刻度烧杯, 用于台式仪表 pH 校准	LZW9110.97

配件 (续)

说明	物品编号
三传感器座, 用于 sensION+ 台式仪表	LZW9321.99
三个传感器的支座和卡夹	LZW9155.99
耐热玻璃腔, 连续流动测量	LZW9118.99
PP 保护器, 电极存储	LZW9161.99

标准溶液

工业用缓冲溶液 (DIN 19267)

有关不同温度下特定缓冲溶液组的 pH 和 ORP (mV) 值, 请参考表 4。

表 4 pH、ORP (mV) 和温度值

温度		pH					mV
°C	°F						
0	32	2.01	4.01	7.12	9.52	10.30	—
10	50	2.01	4.00	7.06	9.38	10.17	245
20	68	2.00	4.00	7.02	9.26	10.06	228
25	77	2.00	4.01	7.00	9.21	10.01	220
30	86	2.00	4.01	6.99	9.16	9.96	212
40	104	2.00	4.03	6.97	9.06	9.88	195
50	122	2.00	4.06	6.97	8.99	9.82	178
60	140	2.00	4.10	6.98	8.93	9.76	160
70	158	2.01	4.16	7.00	8.88	—	—
80	176	2.01	4.22	7.04	8.83	—	—
90	194	2.01	4.30	7.09	8.79	—	—

仕様

この仕様は予告なく変更されることがあります。

項目	仕様
寸法	35 x 20 x 11 cm
質量	1100 g
保護構造	IP42
電源要件 (外部)	100 ~ 240 V、0.4 A、47 ~ 63 Hz
測定器の保護クラス	Class II
保管温度	-15 ~ +65°C
動作周囲温度	0 ~ 40°C
動作周囲湿度	80 % 未満 (結露なきこと)
分解能	pH: 0.01、ORP: 1 mV、温度: 0.1°C
測定誤差 (± 1 桁)	pH: 0.01 以下、ORP: 1 mV 以下、温度: 0.2°C 以下
再現性 (± 1 桁)	pH: ± 0.01、ORP: ± 1 mV、温度: ± 0.1°C
接続	複合またはインジケーター・プローブ: BNC コネクタ (インピーダンス 10 ¹² Ω 超)、参照電極: バナナ・コネクタ、A.T.C. タイプ Pt 1000: バナナまたは電話コネクタ、スターラー: RCA コネクタ
温度補正	手動、Pt 1000 温度プローブ (A.T.C.)、NTC 10 kΩ プローブ
測定ディスプレイのロック	安定性での連続測定
ディスプレイ	液晶、バックライト付き、128 x 64 ドット
キーボード	PET、保護加工
取得認証	CE

総合情報

改訂版は、製造元のウェブサイト上にあります。

安全情報

告知

メーカーは、本製品の目的外使用または誤用に起因する直接損害、偶発的損害、結果的損害を含むあらゆる損害に対して、適用法で認められている範囲で一切責任を負わないものとします。ユーザーは、適用に伴う危険性を特定したり、装置が誤作動した場合にプロセスを保護するための適切な機構を設けることに関して、全責任を負うものとします。

この機器の開梱、設定または操作を行う前に、このマニュアルをすべてよく読んでください。危険および注意の注意事項に注意を払ってください。これを怠ると、使用者が重傷を負う可能性、あるいは機器が損傷を受ける可能性があります。

本装置に備わっている保護機能が故障していないことを確認します。本マニュアルで指定されている以外の方法で本装置を使用または設置しないでください。

危険情報の使用

▲ 危険

回避しなければ死亡または重傷につながる、潜在的または切迫した危険な状況を示します。

▲ 警告

避けない場合、死亡事故や負傷が起こるかも知れない危険な状況を示します。

▲ 注意



軽傷または中傷事故の原因となる可能性のある危険な状況を示しています。

告知

回避しなければ、装置の損傷を引き起こす可能性のある状況を示します。特に注意を要する情報。

使用上の注意ラベル

測定器上に貼付されたラベルやプレートを全てお読みください。これを怠ると、人身傷害や装置の損傷につながるおそれがあります。測定器に記載されたシンボルについては、使用上の注意のあるマニュアルを参照してください。

	<p>このシンボルが測定器に記載されている場合、操作上の指示マニュアル、または安全情報を参照してください。</p>
	<p>このシンボルが付いている電気機器は、ヨーロッパ域内または公共の廃棄処理システムで処分できません。古くなったり耐用年数を経た機器は、廃棄するためにメーカーに無償返却してください。</p>

製品概要

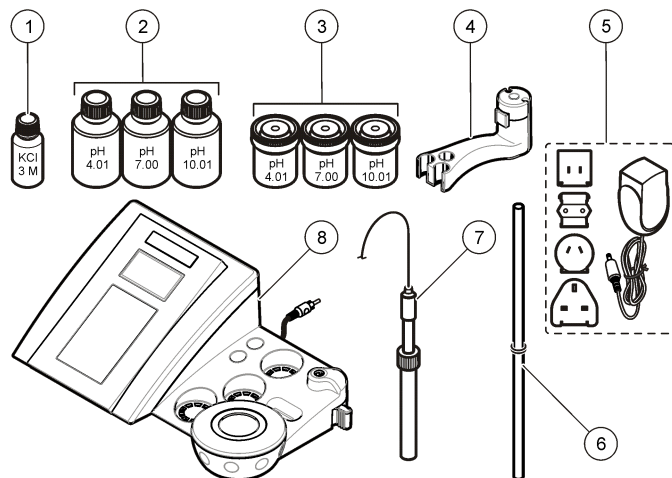
sensION™+ 測定器は、プローブとともに、水のさまざまなパラメーターを測定するのに使用します。

sensION™+ PH3 測定器では、pH、ORP (mV)、または温度を測定します。

製品コンポーネント

図 1 を参照して、すべてのコンポーネントがあることを確認します。コンポーネントが不足していたり損傷していたりした場合は、直ちにメーカーまたは販売代理店にお問合せください。

図 1 測定器コンポーネント

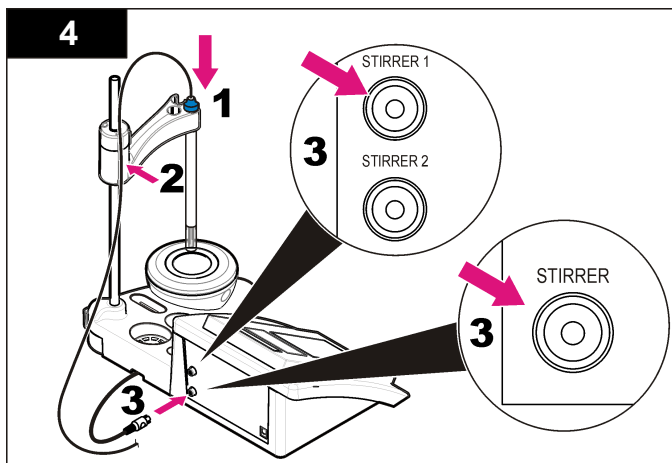
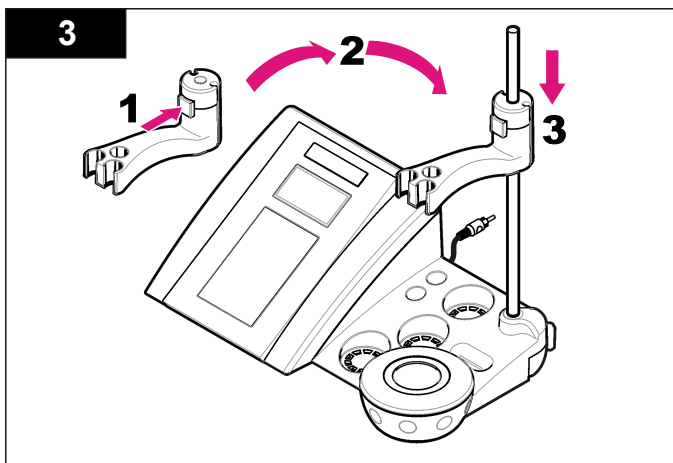
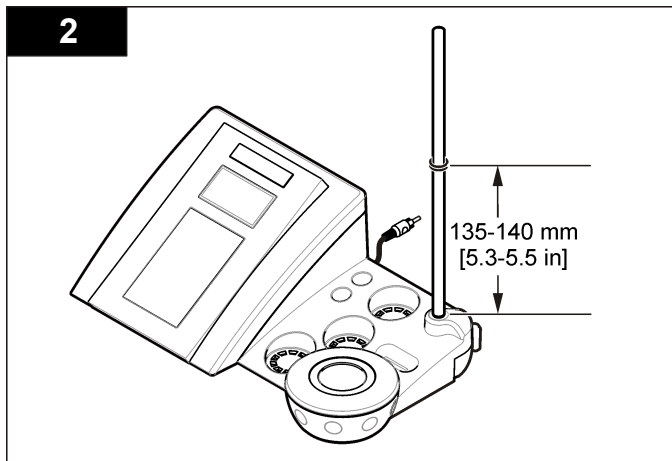
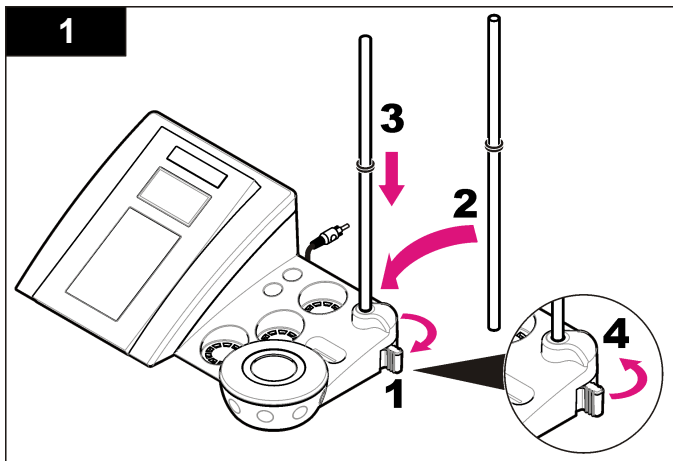


1 プローブの電極	5 電源
2 緩衝液 (pH 4.01、pH 7.00、および pH 10.01)	6 Oリング付きロッド
3 校正ビーカー (磁気バー入り)	7 プローブ (キットにのみ付属)
4 プローブ・ホルダー	8 測定器

設置

プローブ・ホルダーの組み立て

一連の手順に従い、プローブ・ホルダーを組み立て、スターラーを接続します。



AC 電源への接続

▲ 危険

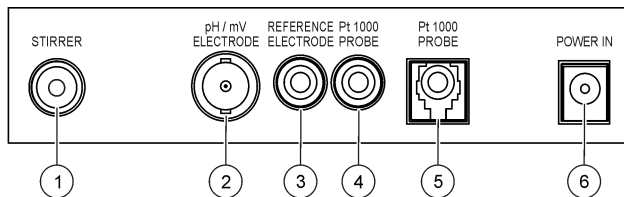


感電死の危険。この装置を屋外または湿っている可能性がある場所で使用する場合は、主電源との接続に漏電回路安全装置 (GFCI/GFI) を使用する必要があります。

測定器は、ユニバーサル電源アダプタを使用して AC 電源から給電することができます。

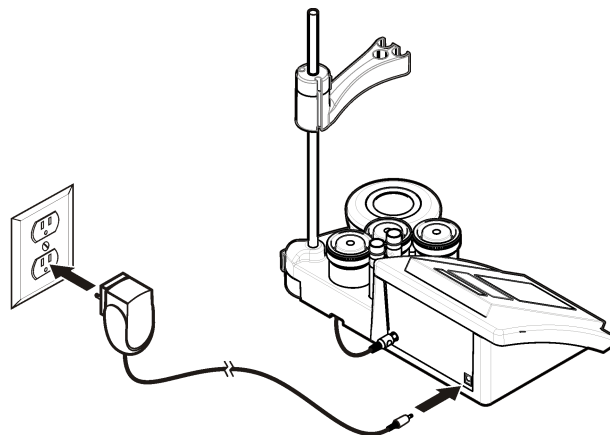
1. アダプタ・キットからコンセントに適したアダプタ・プラグを選択します。
2. ユニバーサル電源アダプタを測定器に接続します (図 2)。
3. ユニバーサル電源アダプタをコンセントに差し込みます (図 3)。
4. 測定器をオンにします。

図 2 コネクタ・パネル



1 スターラー・コネクタ	4 温度プローブ・コネクタ
2 複合 pH 電極 (またはインジケータ) コネクタ	5 分離温度プローブ・コネクタ
3 参照電極 (分離電極) コネクタ	6 電源

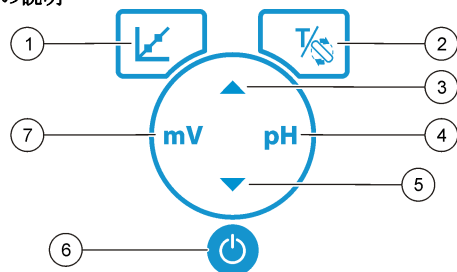
図 3 AC 電源の接続



ユーザー インターフェイスとナビゲーション

ユーザー・インターフェース

キーパッドの説明

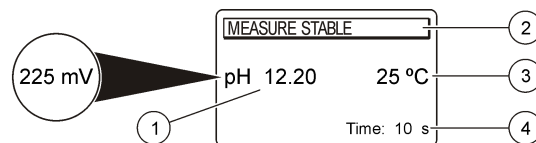


1 校正キー: 校正の開始、校正データの表示、校正の頻度の変更	5 矢印キー (下): 別のオプションへのスクロール、値の変更
2 温度およびスターラー・キー: 温度単位 (°C、°F) または攪拌速度の変更	6 オン/オフ: 測程器のオン/オフの切り替え
3 矢印キー (上): 別のオプションへのスクロール、値の変更	7 mV 測定キー: ORP (mV) 測定の開始
4 pH 測定キー: pH 測定の開始	

ディスプレイの説明

測定器のディスプレイには、濃度、単位、温度、校正ステータス、日時が表示されます。

図 4 シングル画面表示



1 測定単位および値 (pH、ORP (mV))	3 試料温度 (°Cまたは °F)
2 測定モードまたは日時	4 測定タイマー

ナビゲーション

校正キー で、プローブの校正を行います。パラメーター・キーで、試料測定を行います。温度およびスターラー・キー で、温度単位 (°C、°F) または攪拌速度を変更します。矢印キー で、別のオプションへのスクロールまたは値の変更を行います。画面表示は次々と変化するので、作業中はディスプレイから目を離さないでください。詳細な説明については、各作業の項目を参照してください。

スタートアップ

測定器のオンとオフ

告知

測定器の電源をオンにする前に、プローブが測定器に接続されていることを確認してください。

を押して、測定器をオンまたはオフにしてください。測定器がオンにならない場合は、バッテリーが正しく取り付けられていること、または AC 電源アダプターがコンセントに正しく接続されていることを確認してください。

言語の変更


表示言語は測定器の電源を初めてオンにしたときに選択します。

▲ または ▼ を使用してリストから言語を選択します。3 秒後に自動的に測定画面に戻ります。

注: ▲ メイン・メニューで言語を変更するには、 を押します。

標準操作

校正

▲ 危険	
	化学物質による人体被害の危険。検査室の安全手順に従い、取り扱い薬品に適した個人用保護具をすべて装着してください。安全手順に関する現在の安全性データシート(MSDS/SDS)を参照してください。

校正手順

液状の校正液を使用した一般的な校正の手順です。液状の校正液を使用した一般的な校正の手順です。詳細は、各プローブに付属のドキュメントを参照してください。

注: 校正時に溶液を攪拌する必要があります。攪拌設定の詳細は、攪拌設定の変更ページの 67 を参照してください。

1. 緩衝液または校正液をラベルの付いた校正ビーカーに注ぎます。
2. メイン・メニューで、 を押して pH または mV 校正を選択します。
3. プローブを純水で洗浄し、1 つ目の校正ビーカーに入れます。電極膜付近に気泡がないことを確認してください。
4. を押して 1 つ目の校正液を測定します。
次の校正液が表示されます。
5. プローブを純水ですすぎ、2 番目の校正ビーカーに保管します。電極膜付近に気泡がないことを確認してください。
6. を押して 2 つ目の校正液を測定します。
次の校正液が表示されます。
7. プローブを純水ですすぎ、3 番目の校正ビーカーに保管します。電極膜に気泡がないことを確認してください。
8. を押して 3 つ目の校正液を測定します。

校正結果が良好の場合、ディスプレイに [3rd Buffer OK (3 つ目の緩衝液 OK)] と表示され、メイン・メニューに戻ります。

校正データの表示

最近の校正データを表示できます。

1. メインメニューで、 を押します。
2. 前回の校正データを表示するには、 ▼ を使用します。3 秒後に自動的に測定画面に戻ります。

校正通知の設定

校正通知は 0 ~ 23 時間または 1 ~ 7 日間の期間で設定できます (デフォルトでは 1 日に設定されています)。ディスプレイに、新しい校正までの残り時間が表示されます。

注: 0 日を選択した場合、校正通知はオフになります。

1. メイン・メニューで を押し、[Cal. frequency (校正の頻度)] が表示されるまで ▼ を押します。
2. ▲ または ▼ を使用して値を変更します。
3 秒後に自動的に測定画面に戻ります。

試料測定

各プローブでは、サンプル測定を行う際の特定の準備手順が定められています。詳細な手順については、プローブに付属の取扱説明書を参照してください。

注: 測定時は、溶液が攪拌されている必要があります。攪拌設定の詳細は、攪拌設定の変更 ページの 67 を参照してください。

注: 温度プローブが接続されていない場合、ORP (mV) 測定時に温度が表示されません。

[pH] または [ORP (mV)] を押して、サンプル測定を行います。測定中はパラメーターが点滅し、タイマーに安定時間が表示されます。測定パラメーターを変更するには、[pH] または [ORP (mV)] を長押しします (パラメーターが設定されている場合)。

サンプルを連続して測定するには、[pH] または [ORP (mV)] を押して測定を開始し、安定時に再度 [pH] または [ORP (mV)] を押します。パラメーターが点滅し、連続測定モードであることを示します。

高度な操作

日付と時間の変更

日付と時間は [Date and Time (日付と時間)] メニューで変更可能です。


- ▼ を使用して [Date and Time (日付と時間)] メニューを表示します。日付と時間の形式は dd-mm-yyyy 24h です。変更される属性は自動的にハイライト表示され、▲ または ▼ が押されない場合は次の属性に進みます。
- 属性を変更するには、ハイライト表示された属性が選択されているときに ▲ または ▼ を押します。現在の日付と時刻はディスプレイに表示されます。

ディスプレイのコントラストの調整

- ▲ と ▼ を同時に押して [Display contrast (ディスプレイ コントラスト)] メニューを表示します。
- ▲ または ▼ を使用してディスプレイのコントラストを調整します。3 秒後に自動的に測定画面に戻ります。



攪拌設定の変更

攪拌速度は、校正時および測定時に変更できます。

- 校正時または測定時に攪拌メニューを表示するには、 を押します。
- ▲ または ▼ を使用して % で攪拌速度を変更します。

温度単位の変更

温度単位は、摂氏または華氏に変更できます。

- メイン・メニューで  を押します。
-  を押して [Celsius (摂氏)] または [Fahrenheit (華氏)] を選択します。

メンテナンス

▲ 注意



複合的な危険。本書のこのセクションに記載されている作業は、必ず資格のある要員が行う必要があります。

告知

メンテナンスのために装置を分解しないでください。内部のコンポーネントを清掃するか、または修理する場合は、メーカーにお問合せください。

装置の清掃

告知

装置 (ディスプレイや付属品を含む) の洗浄に、テレピン油、アセトンまたは類似の製品等の洗浄剤を使用しないでください。

装置の外部を湿った布と中性洗剤で清掃してください。

プローブの洗浄

必要に応じて、プローブを洗浄します。洗浄の詳細は、[トラブルシューティング](#) ページの 70 を参照してください。プローブのメンテナンスについては、プローブの説明書を参照してください。

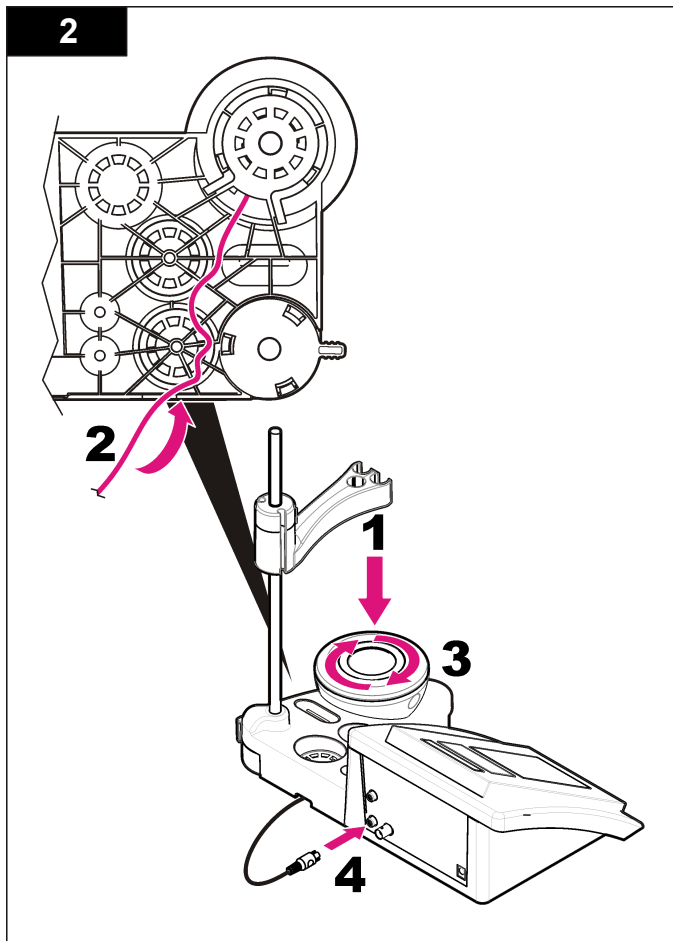
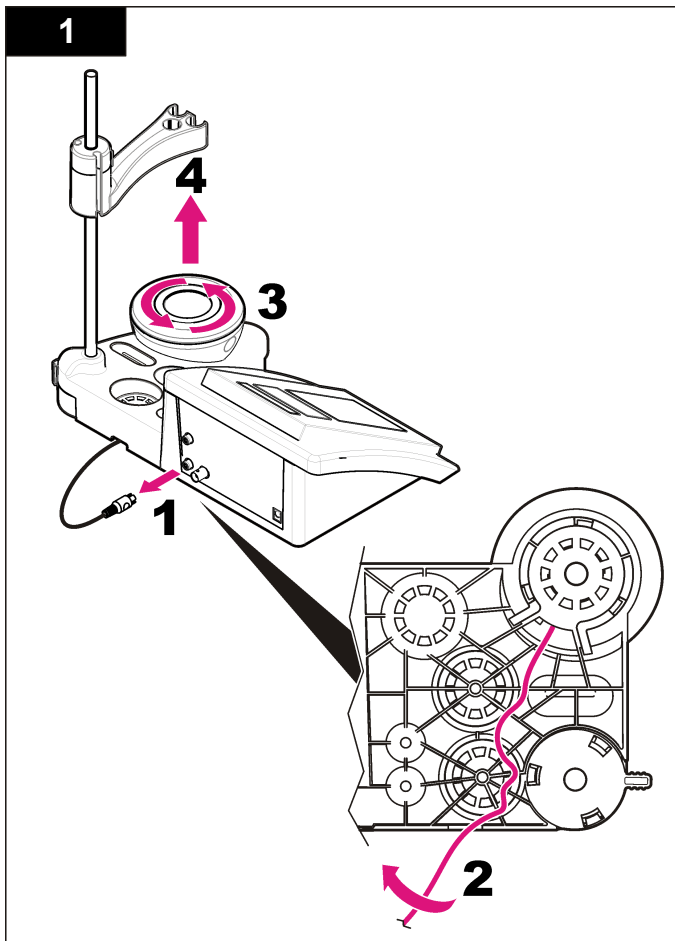
pH プローブの汚れを除去するには、[表 1](#) に記載されている洗浄剤を使用してください。

表 1 pH プローブの洗浄剤

汚染物	洗浄剤
タンパク質	ペプシン洗浄液
グリース、オイル、脂質	電極洗浄液
石灰質	0.1 N HCl 溶液

スターラーの交換

スターラーが動作しない場合は、一連の手順に従い、スターラーを交換します。



トラブルシューティング

一般的な問題のメッセージまたは現象、起こり得る原因および修復アクションは次の表を参照してください。

表 2 校正の警告およびエラー




エラー/警告	対処方法
Asymmetry > 58 mV (非対称 > 58 mV)	スロープが範囲外です (許容範囲 ± 58 mV)。  で繰り返します。 新しいプローブを接続します。
Buffer or electrode in poor conditions. (緩衝液または電極の状態が良くありません)	 で繰り返します。 プローブを確認してください。プローブを洗浄します (詳細は、 プローブの洗浄 ページの 67 を参照)。電極膜付近に気泡がないことを確認します。温度計のように、プローブを揺ります。別のプローブを接続して、プローブまたは測定器のどちらに問題があるか確認します。
Sens. (a) < 70% (感度 (a) < 70 %)	緩衝液を確認してください。使用している緩衝液が、設定で指定した緩衝液と一致することを確認します。設定内の温度指定を確認します。新しい緩衝液を使用します。
BUFFER NOT RECOGNIZED (緩衝液が認識されません)	
UNSTABLE READING (測定値が安定しません) Time > 100 s (時間 > 100 秒)	 で繰り返します。 プローブを確認してください。プローブを洗浄します (詳細は、 プローブの洗浄 ページの 67 を参照)。電極膜付近に気泡がないことを確認します。温度計のように、プローブを揺ります。別のプローブを接続して、プローブまたは測定器のどちらに問題があるか確認します。 電極膜が適切に試料に浸されていることを確認します。

表 2 校正の警告およびエラー (続き)


エラー/警告	対処方法
Electrode in poor conditions. (電極の状態が良くありません)	プローブを確認してください。プローブを洗浄します (詳細は、 プローブの洗浄 ページの 67 を参照)。電極膜付近に気泡がないことを確認します。温度計のように、プローブを揺ります。別のプローブを接続して、プローブまたは測定器のどちらに問題があるか確認します。
Check the electrode (電極を確認してください)	
SAME BUFFERS (同じ緩衝液です)	 で繰り返します。 プローブを確認してください。プローブを洗浄します (詳細は、 プローブの洗浄 ページの 67 を参照)。電極膜付近に気泡がないことを確認します。温度計のように、プローブを揺ります。別のプローブを接続して、プローブまたは測定器のどちらに問題があるか確認します。 緩衝液を確認してください。新しい緩衝液を使用します。

表 3 測定の警告およびエラー


エラー/警告	対処方法
pH 12.78 19°C	 で繰り返します。
pH out of range (pH が範囲外です)	プローブを確認してください。プローブを洗浄します (詳細は、 プローブの洗浄 ページの 67 を参照)。電極膜付近に気泡がないことを確認します。温度計のように、プローブを揺ります。別のプローブを接続して、プローブまたは測定器のどちらに問題があるか確認します。

表 3 測定の警告およびエラー (続き)

エラー/警告	対処方法
Temp out of range °C (温度が範囲外 です)	温度センサを確認します。 別のプローブを接続して、プローブまたは測定器のどちらかに 問題があるか確認します。
Time > 150 s (時 間 > 150 秒)	電極膜が適切に試料に浸されていることを確認します。 温度を確認します。 プローブを確認してください。プローブを洗浄します (詳細 は、 プローブの洗浄 ページの 67 を参照)。電極膜付近に気 泡がないことを確認します。温度計のように、プローブを揺 すりませます。別のプローブを接続して、プローブまたは測定器 のどちらかに問題があるか確認します。

交換部品とアクセサリ

注: プロダクト番号とカタログ番号は、一部の販売地域では異なる場合があります。
詳細は、取り扱い販売店にお問い合わせください。お問い合わせ先については、当
社の [Web](#) サイトを参照してください。

交換パーツ

説明	アイテム番号
sensION+ PH3 ラボ pH 測定器、アクセサリ付属、プ ローブなし	LPV2000.97.0002
sensION+ PH31 ラボ pH 測定器、GLP、アクセサリ付 属、プローブなし	LPV2100.97.0002
sensION+ MM340 ラボ pH & イオン測定器、GLP、2 チャ ネル、アクセサリ付属、プローブなし	LPV2200.97.0002
sensION+ EC7 ラボ導電率測定器、アクセサリ付属、プ ローブなし	LPV3010.97.0002
sensION+ EC71 ラボ導電率測定器、GLP、アクセサリ付 属、プローブなし	LPV3110.97.0002
sensION+ MM374、2 チャネル・ラボ測定器、GLP、アク セサリ付属、プローブなし	LPV4110.97.0002

消耗品

説明	アイテム番号
pH 緩衝液 4.01、125 mL	LZW9460.99
pH 緩衝液 7.00、125 mL	LZW9461.97
pH 緩衝液 10.01、125 mL	LZW9470.99
pH 緩衝液 4.01、250 mL	LZW9463.99
pH 緩衝液 7.00、250 mL	LZW9464.97
pH 緩衝液 10.01、250 mL	LZW9471.99
pH 緩衝液 4.01、1000 mL	LZW9466.99
pH 緩衝液 7.00、1000 mL	LZW9467.97
pH 緩衝液 10.01、1000 mL	LZW9472.99
電解液 (KCl 3M)、125 mL	LZW9510.99
電解液 (KCl 3M)、250 mL	LZW9500.99
電解液 (KCl 3M)、50 mL	LZW9509.99
電解液 0.1 M、125 mL	LZW9901.99
酵素溶液	2964349
ペプシン洗浄液	2964349
電極洗浄液	2965249
0.1 N HCl 溶液	1481253
エタノール、95 % (グリース、オイル、脂質)	2378900

アクセサリ

説明	アイテム番号
スターラー、センサ・ホルダー付属、sensION+ MM ペンチトップ用	LZW9319.99
ペンチトップ pH 校正用 3x50 mL ビーカー、プリントあり	LZW9110.97
3 センサ・ホルダー、sensION+ ペンチトップ装置用	LZW9321.99
3 センサ用ホルダーおよびクランプ	LZW9155.99
Pyrex ガラス・チャンパー、連続フロー測定	LZW9118.99
PP プロテクター、電極保管	LZW9161.99

表 4 pH 値、ORP (mV) 値、および温度 (続き)

温度		pH					mV
°C	°F						
80	176	2.01	4.22	7.04	8.83	—	—
90	194	2.01	4.30	7.09	8.79	—	—

標準溶液

技術緩衝液 (DIN 19267)

温度ごとの規定緩衝液セットの pH 値および ORP (mV) 値については、表 4 を参照してください。

表 4 pH 値、ORP (mV) 値、および温度

温度		pH					mV
°C	°F						
0	32	2.01	4.01	7.12	9.52	10.30	—
10	50	2.01	4.00	7.06	9.38	10.17	245
20	68	2.00	4.00	7.02	9.26	10.06	228
25	77	2.00	4.01	7.00	9.21	10.01	220
30	86	2.00	4.01	6.99	9.16	9.96	212
40	104	2.00	4.03	6.97	9.06	9.88	195
50	122	2.00	4.06	6.97	8.99	9.82	178
60	140	2.00	4.10	6.98	8.93	9.76	160
70	158	2.01	4.16	7.00	8.88	—	—

사양

사양은 사전 예고 없이 변경될 수 있습니다.

사양	세부 정보
치수	35 x 20 x 11cm(13.78 x 7.87 x 4.33in.)
무게	1100g(2.43lb)
계측기 외함	IP42
전원 요구 사항(외부)	100-240V, 0.4A, 47-63Hz
계측기 보호 등급	Class II
보관 온도	-15~+65°C(5~+149°F)
작동 온도	0~40°C(41~104°F)
작동 습도	< 80%(비응결)
분해능	pH: 0.01, ORP: 1mV, 온도: 0.1°C(0.18°F)
측정 오류(±1 자리)	pH: 0.01 이하, ORP: 1mV 이하, 온도: 0.2°C 이하(0.36°F 이하)
재현성(±1 자리)	pH: ±0.01, ORP: ±1mV, 온도: ±0.1°C(±0.18°F)
연결	결합 또는 표시기 프로브: BNC 커넥터(Imp. >10 ¹² Ω); 기준 전극: 바나나 커넥터; A.T.C. 타입 Pt 1000: 바나나 또는 전화 커넥터' 자기 교환기: RCA 커넥터
온도 보정	수동, Pt 1000 온도 프로브(A.T.C.), NTC 10 kΩ 프로브
측정 디스플레이 잠금	연속 측정, 안전성 기준
디스플레이	액정, 백릿, 128x64 도트
키보드	보호 처리 기능을 갖춘 PET
인증	CE

일반 정보

개정본은 제조업체 웹 사이트에서 확인할 수 있습니다.

안전 정보

주의사항

제조사는 본 제품의 잘못된 적용 또는 잘못된 사용으로 인한 직접, 우발적 또는 간접적 손해에 국한하지 않는 모든 손해에 대한 어떠한 책임도 지지 않으며, 관계 법령이 최대한 허용하는 손해에 관한 면책이 있습니다. 사용자는 사용상 중대한 위험을 인지하고 장비 오작동이 발생할 경우에 대비하여 적절한 보호 장치를 설치하여야 합니다.

장치 포장을 풀거나 설치하거나 작동하기 전에 본 설명서를 모두 읽으십시오. 모든 위험 및 주의사항 설명에 유의하시기 바랍니다. 이를 지키지 않으면 사용자가 중상을 입거나 장치가 손상될 수 있습니다.

본 장치의 보호 기능이 손상되지 않도록 본 설명서에서 설명하는 방법이 아닌 다른 방법으로 본 장치를 사용하거나 설치하지 마십시오.

위험 정보 표시

⚠ 위험

방지하지 않을 경우 사망 또는 심각한 부상이 일어나는 잠재적 또는 즉각적 위험 상황을 의미합니다.

⚠ 경고

피하지 않을 경우에 사망이나 심각한 부상을 유발할 수 있는 잠재적 위험이나 긴급한 위험 상황을 나타냅니다.

⚠ 주의



경미하거나 심하지 않은 부상을 초래할 수 있는 잠재적으로 위험한 상황을 경고합니다.

주의사항

피하지 않으면 기기에 손상을 일으킬 수 있는 상황을 나타냅니다. 특별히 강조할 필요가 있는 정보.

주의 경고 라벨

본 기기에 부착된 모든 라벨 및 태그를 참조하시기 바랍니다. 지침을 따르지 않을 경우 부상 또는 기기 손상이 발생할 수 있습니다. 기기에 있는 기호는 주의사항에 대한 설명과 함께 설명서에서 참조합니다.

	<p>기기에 이 심볼이 표시되어 있으면 지침서에서 작동 및 안전 주의사항을 참조해야 합니다.</p>
	<p>이 심볼이 표시된 전기 장비는 유럽 내 공공 폐기 시스템에 따라 폐기할 수 없습니다.</p>

제품 소개

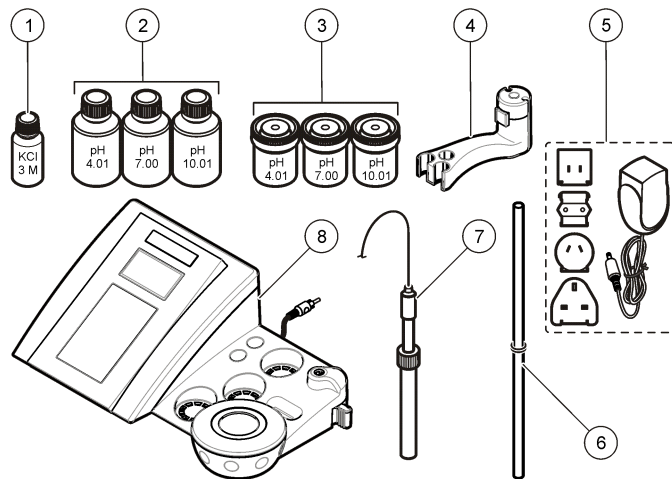
sensION™+ 계측기는 프로브와 함께 물 속에서 다양한 매개변수를 측정하는 데 사용됩니다.

sensION™+ PH3 계측기는 pH, ORP(mV) 또는 온도를 측정합니다.

제품 구성 요소

그림 1 를 참조하여 모든 구성 요소를 받았는지 확인하십시오. 품목이 누락되었거나 손상된 경우에는 제조업체 또는 판매 담당자에게 즉시 연락하십시오.

그림 1 계측기 구성 요소

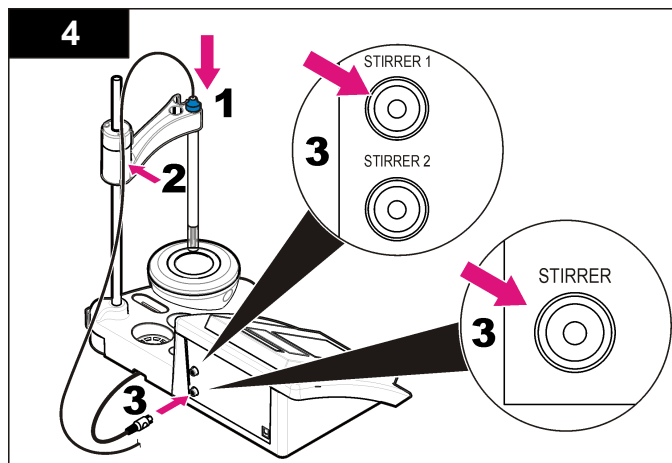
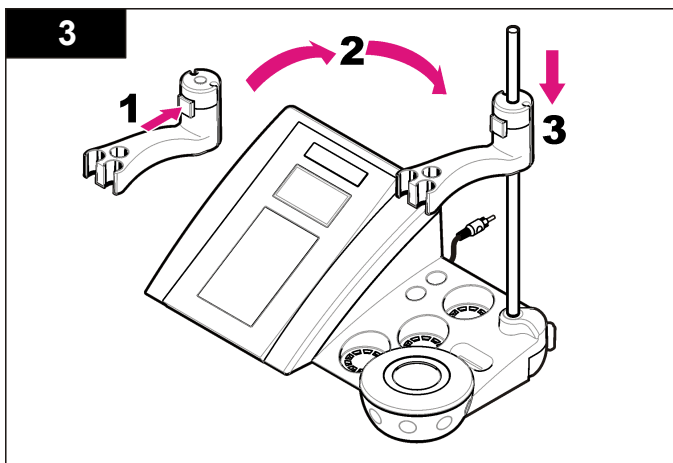
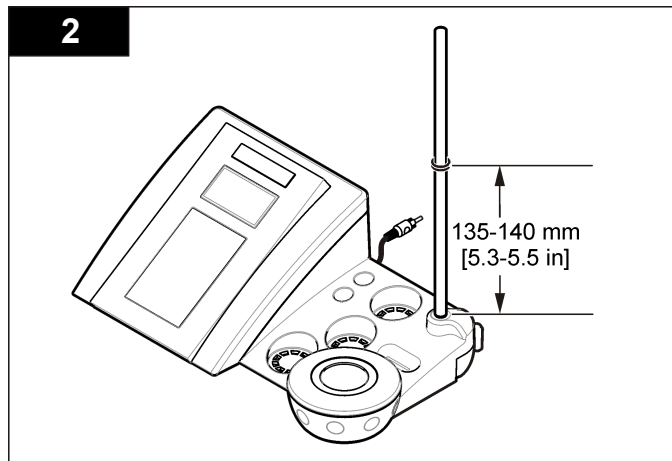
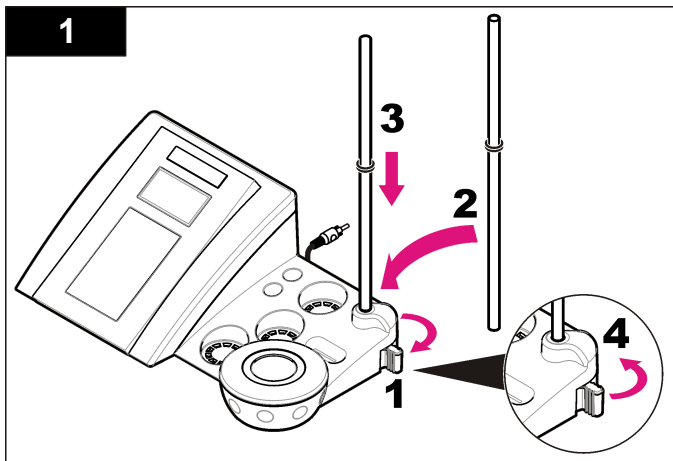


1 프로브용 전해질	5 전원공급장치
2 버퍼 용액(pH 4.01, pH 7.00 및 pH 10.01)	6 오링 막대
3 교정 비커(내부에 자기 막대 포함)	7 프로브(키트만 포함)
4 프로브 홀더	8 계측기

설치

프로브 홀더 조립

단계 번호에 따라 프로브 홀더를 조립하고 자기 교반기에 연결합니다.



AC 전원 에 연결

⚠ 위험

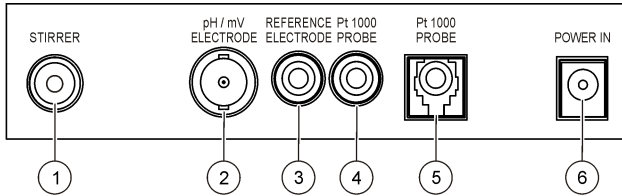


전기쇼크 위험 본 장치를 실외에서 사용하거나 젖을 수 있는 장소에서 사용하는 경우, 장치를 주전원에 연결할 때 접지 결합 회로 인터럽트 (GFCI/GFI) 장치를 사용해야 합니다.

범용 전원 어댑터를 사용하여 계측기를 AC 전원으로 가동할 수 있습니다.

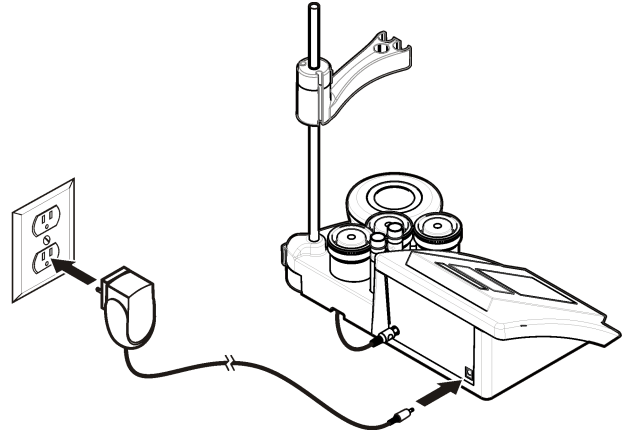
1. 어댑터 키트에서 전원 콘센트에 알맞은 어댑터 플러그를 선택합니다.
2. 범용 전원 어댑터를 계측기에 연결합니다(그림 2).
3. 범용 전원 어댑터를 AC 콘센트에 연결합니다(그림 3).
4. 계측기를 켭니다.

그림 2 커넥터 패널



1 자기 교반 커넥터	4 온도 프로브 커넥터
2 결합 pH 전극(또는 표시기) 커넥터	5 분리된 온도 프로브 커넥터
3 기준 전극(분리된 전극) 커넥터	6 전원공급장치

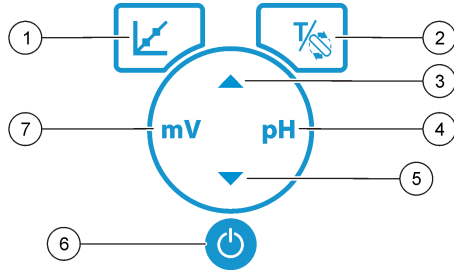
그림 3 AC 전원 연결



사용자 인터페이스 및 탐색

사용자 인터페이스

키패드 설명

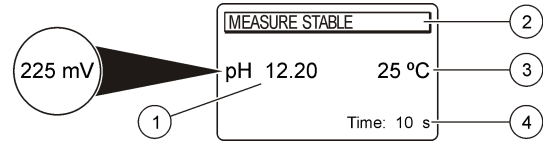


1 CALIBRATION(교정) 키: 교정을 시작하고 교정 데이터를 보고 교정 주기를 변경합니다.	5 DOWN(아래로) 키: 다른 옵션으로 스크롤하고 값을 변경합니다.
2 TEMPERATURE(온도) 및 STIRRER(교반) 키: 온도(°C, °F) 또는 교반 속도를 변경합니다.	6 ON/OFF(켜기/끄기): 계측기를 켜고 끕니다.
3 UP(위로) 키: 다른 옵션으로 스크롤하고 값을 변경합니다.	7 mV 측정 키: ORP(mV) 측정을 시작합니다.
4 pH 측정 키: pH 측정을 시작합니다.	

디스플레이 설명

계측기 디스플레이에는 농도, 단위, 온도, 교정 상태, 날짜 및 시간이 표시됩니다.

그림 4 단일 화면 디스플레이



1 측정 단위 및 값(pH, ORP(mV))	3 샘플 온도(°C 또는 °F)
2 측정 모드/시간 및 날짜	4 비주얼 측정 타이머

탐색

교정 키 를 사용하여 프로브를 교정합니다. 매개변수 키를 사용하여 샘플을 측정합니다. TEMPERATURE(온도) 및 STIRRER(교반) 키 를 사용하여 온도(°C, °F) 또는 교반 속도를 변경합니다. 화살표 키 를 사용하여 다른 옵션으로 스크롤하거나 값을 변경합니다. 화면이 빨리 변경되므로 작업 중에 디스플레이를 잘 살펴보십시오. 특정 지침을 보려면 각 작업을 참조하십시오.

시작

계측기 켜기 및 끄기

주의사항

계측기를 켜기 전에 프로브가 계측기에 연결되어 있는지 확인합니다.

키를 눌러 계측기를 켜고 끕니다. 계측기가 켜지지 않으면 AC 전원 공급장치가 전기 콘센트에 올바르게 연결되었는지 확인하십시오.

언어 변경


계측기 전원을 처음으로 켤 때 화면 언어를 선택합니다.

▲ 또는 ▼ 키를 사용하여 목록에서 언어를 선택합니다. 계측기가 3 초 후 측정 화면으로 자동으로 돌아갑니다.

참고: ▲ 메인 메뉴에서 언어를 변경하려면 키를 누릅니다.

표준 작동





교정

▲ 위험	
	화학물질에 노출될 위험이 있습니다. 실험실의 안전절차를 준수하고, 취급하는 화학 물질에 맞는 개인보호장비를 안전하게 착용하십시오. 최신 물질안전보건자료(MSDS/SDS)에서 안전 규정을 참조하십시오.

교정 절차


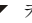
이 절차는 액체 교정 용액을 사용하는 일반적인 방법입니다. 자세한 내용은 각 프로브와 함께 제공되는 문서를 참조하십시오.

참고: 교정하는 동안 용액을 저어서 섞어야 합니다. 교반 설정에 대한 자세한 내용은 **교반 설정 변경 페이지의 79** 을 참조하십시오.

1. 버퍼 또는 교정 용액을 라벨이 있는 교정 비커에 따릅니다.
2. 메인 메뉴에서  을(를) 눌러 pH 또는 mV Calibration(mV 교정)을 선택합니다.
3. 프로브를 탈이온수로 행군 후 첫 번째 교정 비커에 넣습니다. 멤브레인에 기포가 생기지 않도록 하십시오.
4.  키를 눌러 첫 번째 교정 용액을 측정합니다. 다음 번 교정 용액이 표시됩니다.
5. 프로브를 탈이온수로 행군 후 두 번째 교정 비커에 넣습니다. 멤브레인에 기포가 생기지 않도록 하십시오.
6.  키를 눌러 두 번째 교정 용액을 측정합니다. 다음 번 교정 용액이 표시됩니다.
7. 프로브를 탈이온수로 행군 후 세 번째 교정 비커에 넣습니다. 멤브레인에 기포가 생기지 않도록 하십시오.
8.  키를 눌러 세 번째 교정 용액을 측정합니다. 교정 상태가 좋으면 디스플레이에 잠시 동안 3rd Buffer OK(세 번째 버퍼 확인)가 표시된 후 메인 메뉴로 돌아갑니다.

교정 데이터 보기

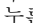
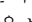


최신 교정 데이터를 표시할 수 있습니다.

1. 메인 메뉴에서  키를 누릅니다.
2. 마지막 교정 데이터를 보려면  키를 사용합니다. 계측기가 3 초 후 측정 화면으로 자동으로 돌아갑니다.

교정 알람 설정

교정 알람은 0-23 시간 또는 1-7 일(기본값 1 일) 사이에서 설정할 수 있습니다. 디스플레이에는 새로운 교정에 대해 남은 시간이 표시됩니다.

참고: 0 일을 선택하면 교정 알람이 꺼집니다.

1. 메인 메뉴에서 디스플레이에 Cal. frequency(교정 주기)가 표시될 때까지  키를 누른 후  키를 누릅니다.
2.  또는  키를 사용하여 값을 변경합니다. 계측기가 3 초 후 측정 화면으로 자동으로 돌아갑니다.

샘플 측정

각 프로브에는 샘플 측정을 수행하기 위한 특정 준비 단계 및 절차가 있습니다. 단계별 지침은 프로브에 포함된 문서를 참조하십시오.

참고: 측정하는 동안 용액을 저어서 섞어야 합니다. 교반 설정에 대한 자세한 내용은 **교반 설정 변경 페이지의 79** 을 참조하십시오.

참고: 온도 프로브가 연결되지 않으면 ORP(mV) 측정 중에 온도가 표시되지 않습니다.

pH 또는 ORP(mV)를 눌러 샘플을 측정합니다. 측정 중에는 매개변수가 깜박이고 타이머에 안정화 시간이 표시됩니다. 측정 매개변수를 변경하려면(해당되는 경우) pH 또는 ORP(mV)를 누르고 있습니다.

샘플을 지속적으로 측정하려면 pH 또는 ORP(mV)를 눌러 측정을 시작하고 안정화하는 동안 pH 또는 ORP(mV)를 다시 누릅니다. 매개변수가 깜박이면서 Continuous 측정 모드임을 나타냅니다.

고급 작동

날짜 및 시간 변경

날짜 및 시간은 Date and Time(날짜 및 시간) 메뉴에서 변경할 수 있습니다.

1. ▼ 키를 사용하여 Date and Time(날짜 및 시간) 메뉴를 입력합니다.
날짜 및 시간 형식: dd-mm-yyyy 24h.
변경할 속성이 자동으로 강조 표시되고 ▲ 또는 ▼ 키를 누르지 않은 경우 다음 속성으로 진행합니다.
2. 속성을 변경하려면 강조 표시된 속성을 선택할 때 ▲ 또는 ▼ 키를 누릅니다.
현재 날짜와 시간이 디스플레이에 표시됩니다.

표시 대비 조정

1. ▲ 및 ▼ 을 동시에 눌러 Display contrast(표시 대비) 메뉴를 입력합니다.
2. ▲ 또는 ▼ 키를 사용하여 표시 대비를 조정합니다. 계측기가 3 초 후 측정 화면으로 자동으로 돌아갑니다.

교반 설정 변경

교정 또는 측정 중에 교반 속도를 변경할 수 있습니다.

1. 교정 또는 측정 중에 $\frac{1}{2}$ 키를 눌러 교반 메뉴를 입력합니다.
2. ▲ 또는 ▼ 키를 사용하여 교반 속도를 % 단위로 변경합니다.

온도 단위 변경

온도 단위를 Celsius(섭씨) 또는 Fahrenheit(화씨)로 변경할 수 있습니다.

1. 메인 화면에서 $\frac{1}{2}$ 키를 누릅니다.
2. $\frac{1}{2}$ 키를 눌러 Celsius(섭씨) 또는 Fahrenheit(화씨) 중에서 선택합니다.

유지관리

▲ 주의



여러 가지 위험이 존재합니다. 해당 전문가가 본 문서에 의거하여 작업을 수행해야 합니다.

주의사항

유지관리를 위해 기기를 해제하지 마십시오. 내부 구성 부품을 세척 또는 수리해야 하는 경우에는 제조업체에 연락하십시오.

기기 세척

주의사항

디스플레이 및 액세서리가 포함된 기기를 청소할 때 테레빈, 아세톤 또는 유사한 성질의 세정제를 사용하지 마십시오.

젖은 천과 부드러운 비눗액을 사용하여 기기 외부를 닦아냅니다.

프로브 세정

필요에 따라 프로브를 세정합니다. 세정에 대한 자세한 내용은 [문제 해결](#) 페이지의 82 을 참조하십시오. 프로브 유지관리에 대한 자세한 내용은 프로브 설명서를 참조하십시오.

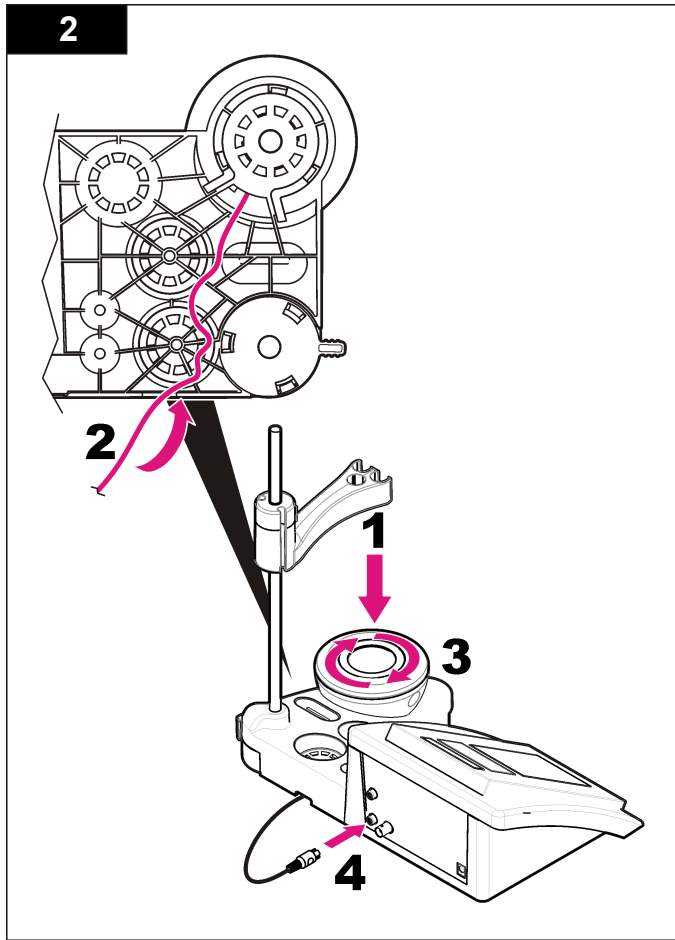
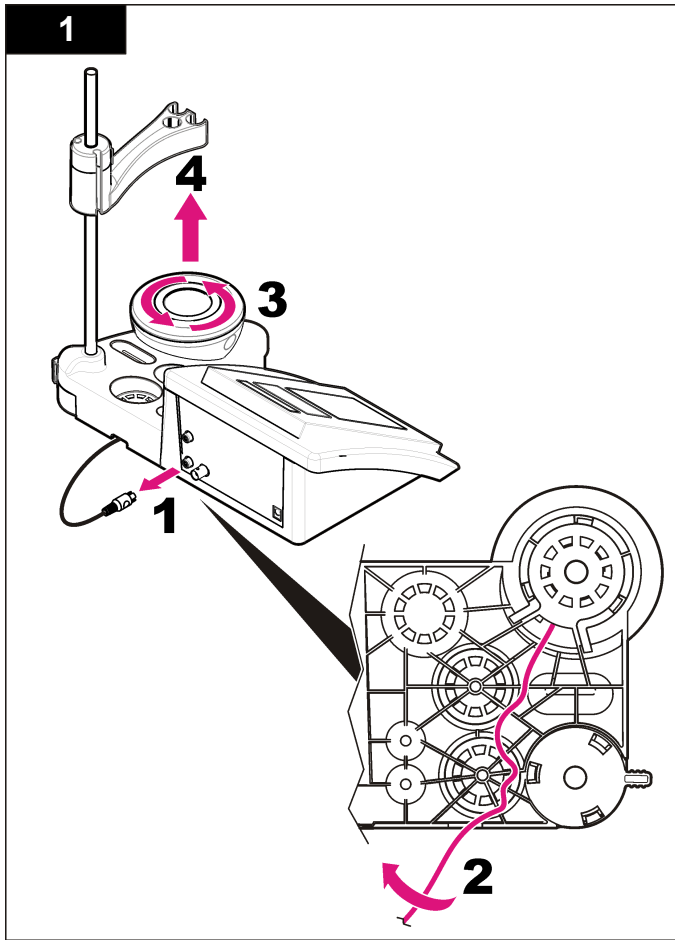
pH 프로브가 오염된 경우 표 1 에 나열된 세정제를 사용하여 세정하십시오.

표 1 pH 프로브 세정제

오염	세정제
단백질	렙신 세척액
유지, 기름, 지방	전극 세척액
석회	0.1 N HCl 용액

자기 교반기 교체

자기 교반기가 시작되지 않은 경우 단계 순서에 따라 자기 교반기를 교체합니다.



문제 해결

아래 표에서 일반적 문제 메시지나 증상, 가능한 원인 및 해결 조치를 참조하십시오.

표 2 교정 경고 및 오류




오류/경고	분해능
비대칭 > 58 mV	<p>정사도 범위를 벗어납니다(허용 값: ±58mV).</p> <p> 과(와) 반복합니다.</p> <p>새 프로브를 연결합니다.</p>
버퍼 또는 전극의 상태가 좋지 않습니다.	<p> 과(와) 반복합니다.</p> <p>프로브 검사: 프로브를 세정(자세한 내용은 프로브 세정 페이지의 79 참조)하고 멤브레인에 기포가 생기지 않는지 확인합니다. 프로브를 온도계처럼 흔들고 다른 프로브를 연결하여 프로브 또는 계측기에 문제가 있는지를 확인합니다.</p>
민감도 (a) < 70%	<p>버퍼 용액 검사: 사용된 버퍼가 구성 중 지정한 버퍼와 일치하는지 확인합니다.</p>
버퍼가 인식되지 않음	<p>버퍼 용액 검사: 사용된 버퍼가 구성 중 온도를 확인한 후 새 버퍼 용액을 사용합니다.</p>
불안정한 판독값 시간 > 100 초	<p> 과(와) 반복합니다.</p> <p>프로브 검사: 프로브를 세정(자세한 내용은 프로브 세정 페이지의 79 참조)하고 멤브레인에 기포가 생기지 않는지 확인합니다. 프로브를 온도계처럼 흔들고 다른 프로브를 연결하여 프로브 또는 계측기에 문제가 있는지를 확인합니다.</p> <p>샘플에 멤브레인과 다이어프램이 제대로 담겨 있는지 확인합니다.</p>

표 2 교정 경고 및 오류 (계속)



오류/경고	분해능
전극 상태가 좋지 않습니다.	<p>프로브 검사: 프로브를 세정(자세한 내용은 프로브 세정 페이지의 79 참조)하고 멤브레인에 기포가 생기지 않는지 확인합니다. 프로브를 온도계처럼 흔들고 다른 프로브를 연결하여 프로브 또는 계측기에 문제가 있는지를 확인합니다.</p>
전극 검사	
같은 버퍼	<p> 과(와) 반복합니다.</p> <p>프로브 검사: 프로브를 세정(자세한 내용은 프로브 세정 페이지의 79 참조)하고 멤브레인에 기포가 생기지 않는지 확인합니다. 프로브를 온도계처럼 흔들고 다른 프로브를 연결하여 프로브 또는 계측기에 문제가 있는지를 확인합니다.</p> <p>버퍼 용액 검사: 새 버퍼 용액을 사용합니다.</p>

표 3 측정 경고 및 오류

오류/경고	분해능
pH 12.78 19°C	<p> 과(와) 반복합니다.</p>
pH 범위를 벗어남	<p>프로브 검사: 프로브를 세정(자세한 내용은 프로브 세정 페이지의 79 참조)하고 멤브레인에 기포가 생기지 않는지 확인합니다. 프로브를 온도계처럼 흔들고 다른 프로브를 연결하여 프로브 또는 계측기에 문제가 있는지를 확인합니다.</p>
온도 범위를 벗어남(°C)	<p>온도 센서를 검사합니다.</p> <p>다른 프로브를 연결하여 프로브 또는 계측기에 문제가 있는지를 확인합니다.</p>
시간 > 150 초	<p>샘플에 멤브레인과 다이어프램이 제대로 담겨 있는지 확인합니다.</p> <p>온도를 검사합니다.</p> <p>프로브 검사: 프로브를 세정(자세한 내용은 프로브 세정 페이지의 79 참조)하고 멤브레인에 기포가 생기지 않는지 확인합니다. 프로브를 온도계처럼 흔들고 다른 프로브를 연결하여 프로브 또는 계측기에 문제가 있는지를 확인합니다.</p>

교체 부품 및 부속품

참고: 일부 판매 지역의 경우 제품 및 문서 번호가 다를 수 있습니다. 연락처 정보는 해당 대리점에 문의하거나 본사 웹사이트를 참조하십시오.

교체 부품

설명	품목 번호
sensION+ PH3 실험실 pH 계측기(부속품 포함, 프로브 없음)	LPV2000.97.0002
sensION+ PH31 실험실 pH 계측기, GLP(부속품 포함, 프로브 없음)	LPV2100.97.0002
sensION+ MM340 실험실 pH & 이온 계측기, GLP, 2 개 채널(부속품 포함, 프로브 없음)	LPV2200.97.0002
sensION+ EC7 실험실 전도도 계측기(부속품 포함, 프로브 없음)	LPV3010.97.0002
sensION+ EC71 실험실 전도도 계측기, GLP(부속품 포함, 프로브 없음)	LPV3110.97.0002
sensION+ MM374, 2 채널 실험실 계측기, GLP(부속품 포함, 프로브 없음)	LPV4110.97.0002

소모품

설명	품목 번호
pH 버퍼 용액 4.01, 125mL	LZW9460.99
pH 버퍼 용액 7.00, 125mL	LZW9461.97
pH 버퍼 용액 10.01, 125mL	LZW9470.99
pH 버퍼 용액 4.01, 250mL	LZW9463.99
pH 버퍼 용액 7.00, 250mL	LZW9464.97
pH 버퍼 용액 10.01, 250mL	LZW9471.99
pH 버퍼 용액 4.01, 1000mL	LZW9466.99

소모품 (계속)

설명	품목 번호
pH 버퍼 용액 7.00, 1000mL	LZW9467.97
pH 버퍼 용액 10.01, 1000mL	LZW9472.99
전해질 용액(KCl 3M), 125mL	LZW9510.99
전해질 용액(KCl 3M), 250mL	LZW9500.99
전해질 용액(KCl 3M), 50mL	LZW9509.99
전해질 용액 0.1M, 125mL	LZW9901.99
효소 용액	2964349
렙신 세척액	2964349
전극 세척액	2965249
0.1 N HCl 용액	1481253
에탄올, 95%(유지, 기름, 지방)	2378900

부속품

설명	품목 번호
센서 홀더가 있는 자기 교반기, sensION+ MM 벤치톱용	LZW9319.99
3x50mL 인쇄된 비커, 벤치톱 pH 교정용	LZW9110.97
3 개의 센서용 홀더, sensION+ 벤치톱 기기용	LZW9321.99
홀더 및 클램프, 3 개의 센서용	LZW9155.99
파이렉스 유리 캡버, 연속 흐름 측정	LZW9118.99
PP 보호기, 전극 보관	LZW9161.99

표준 용액

기술 버퍼 용액(DIN 19267)

특정한 버퍼 세트의 pH 및 ORP(mV) 값을 다양한 온도에서 알아보려면

표 4 를 참조하십시오.

표 4 pH, ORP(mV) 및 온도 값

온도		pH					mV
°C	°F						
0	32	2.01	4.01	7.12	9.52	10.30	—
10	50	2.01	4.00	7.06	9.38	10.17	245
20	68	2.00	4.00	7.02	9.26	10.06	228
25	77	2.00	4.01	7.00	9.21	10.01	220
30	86	2.00	4.01	6.99	9.16	9.96	212
40	104	2.00	4.03	6.97	9.06	9.88	195
50	122	2.00	4.06	6.97	8.99	9.82	178
60	140	2.00	4.10	6.98	8.93	9.76	160
70	158	2.01	4.16	7.00	8.88	—	—
80	176	2.01	4.22	7.04	8.83	—	—
90	194	2.01	4.30	7.09	8.79	—	—

รายละเอียดทางเทคนิค

รายละเอียดทางเทคนิคอาจเปลี่ยนแปลงได้โดยไม่ต้องแจ้งให้ทราบล่วงหน้า

รายละเอียดทางเทคนิค	รายละเอียด
ขนาด	35 x 20 x 11 ซม. (13.78 x 7.87 x 4.33 นิ้ว)
น้ำหนัก	1100 กรัม (2.43 ปอนด์)
กล่องหุ้มมีเคอร์	IP42
การใช้พลังงาน (ภายนอก)	100–240 V, 0.4 A, 47-63 Hz
ระดับการป้องกันตัวเครื่อง	คลาส II
อุณหภูมิสำหรับจัดเก็บ	-15 ถึง +65 °C (5 ถึง +149 °F)
อุณหภูมิสำหรับใช้งาน	0 ถึง 40 °C (41 ถึง 104 °F)
ความชื้นในการทำงาน	< 80% (ไม่ควบแน่น)
ความละเอียด	pH: 0.01, ORP: 1 mV, อุณหภูมิ: 0.1 °C (0.18 °F)
ข้อผิดพลาดในการตรวจวัด (± 1 หน่วย)	pH: ≤ 0.01, ORP: ≤ 1 mV, อุณหภูมิ: ≤ 0.2 °C (≤ 0.36 °F)
อัตราการทำซ้ำ (± 1 หน่วย)	pH: ± 0.01, ORP: ± 1 mV, อุณหภูมิ: ± 0.1 °C (± 0.18 °F)
การเชื่อมต่อ	โพรบแสดงสถานะหรือแบบผสม: ตัวเชื่อมคือ BNC (Imp. >10 ¹² Ω); อิเล็กโทรดอ้างอิง: ตัวเชื่อมต่อบานานา; A.T.C. ชนิด Pt 1000: ตัวเชื่อมต่อบานาหรือเทลโฟนิค; อุปกรณ์แม่เหล็กกวนสาร: ตัวเชื่อมคือ RCA
การปรับอุณหภูมิ	แมนนวล, โพรบวัดอุณหภูมิ Pt 1000 (A.T.C.), โพรบ NTC 10 kΩ
การเลือกการแสดงผลการวัด	ทำการวัดอย่างต่อเนื่อง, แบบเสถียร
จอแสดงผล	ลิกวิตคริสตัล, ไฟพื้นหลัง, 128 x 64 คอท

รายละเอียดทางเทคนิค	รายละเอียด
เบ็นทิพท์	PET พร้อมสารเคลือบป้องกัน
การรับรอง	CE

ข้อมูลทั่วไป

ข้อมูลฉบับแก้ไขจะมีจัดไว้ที่เว็บไซต์ของผู้ผลิต

ข้อมูลเพื่อความปลอดภัย

หมายเหตุ

ผู้ผลิตจะไม่รับผิดชอบต่อความเสียหายใดๆ ที่เกิดจากการนำผลิตภัณฑ์ไปใช้หรือการใช้งานที่ผิดวัตถุประสงค์ รวมถึงแต่ไม่จำกัดเพียงความเสียหายทางตรง ความเสียหายที่ไม่ได้ตั้งใจ และความเสียหายที่ต่อเนื่องตามมา และขอปฏิเสธในการรับผิดชอบต่อความเสียหายเหล่านี้ในระดับสูงสุดเท่าที่กฎหมายที่เกี่ยวข้องจะอนุญาต ผู้ใช้เป็นผู้รับผิดชอบแต่เพียงผู้เดียวในการระบุถึงความเสี่ยงในการนำไปใช้งานที่สำคัญ และการติดตั้งอุปกรณ์ที่เหมาะสมเพื่อป้องกันกระบวนการต่างๆ ที่เป็นไปได้ในกรณีอุปกรณ์ทำงานผิดพลาด

กรุณาอ่านคู่มือฉบับนี้โดยละเอียดก่อนเปิดกล่อง คิดตั้งหรือใช้งานอุปกรณ์นี้ ศึกษาอันตรายและข้อควรระวังต่าง ๆ ที่แจ้งให้ทราบให้ครบถ้วน หากไม่ปฏิบัติตามอาจทำให้เกิดการบาดเจ็บร้ายแรงต่อผู้ใช้หรือเกิดความเสียหายต่ออุปกรณ์

ตรวจสอบว่าชิ้นส่วนป้องกันของอุปกรณ์ไม่มีความเสียหาย ห้ามใช้หรือติดตั้งอุปกรณ์ในลักษณะอื่นใดนอกจากที่ระบุไว้ในคู่มือนี้

การใช้ข้อมูลแจ้งเตือนเกี่ยวกับอันตราย

⚠️ อันตราย

ระบุอันตรายที่อาจเกิดขึ้น ซึ่งหากไม่หลีกเลี่ยง อาจทำให้เสียชีวิตหรือได้รับบาดเจ็บร้ายแรงได้

⚠️ คำเตือน

ระบุอันตรายที่อาจเกิดขึ้น ซึ่งหากไม่หลีกเลี่ยง อาจทำให้เสียชีวิตหรือได้รับบาดเจ็บร้ายแรงได้

⚠️ ข้อควรระวัง



ระบุนอันตรายที่อาจเกิดขึ้นซึ่งอาจทำให้เกิดการบาดเจ็บเล็กน้อยถึงปานกลาง

หมายเหตุ

ข้อควรทราบระบุกรณีที่เกิดไม่หลีกเลี่ยง อาจทำให้อุปกรณ์ได้รับความเสียหายได้ ข้อมูลที่ต้องการเน้นเข้าเป็นพิเศษ

ผลการบรูข้อควรระวัง

อ่านฉลากและบรูข้อควรระวังทั้งหมดที่จัดมาพร้อมกับอุปกรณ์ อาจเกิดการบาดเจ็บหรือความเสียหายต่ออุปกรณ์หากไม่ปฏิบัติตาม คู่มืออ้างอิงสัญลักษณ์ที่ตัวอุปกรณ์พร้อมข้อความเพื่อเฝ้าระวังเบื้องต้น

	หากปรากฏสัญลักษณ์นี้ที่ตัวอุปกรณ์ กรุณาตรวจสอบและแยกจากคู่มือการใช้งานและ/หรือข้อมูลเพื่อความปลอดภัย
	อุปกรณ์อิเล็กทรอนิกส์ที่มีเครื่องหมายนี้ไม่สามารถทิ้งแบบขยะปกติในเขตยุโรปหรือระบบกำจัดขยะสาธารณะได้ ส่งคืนอุปกรณ์เก่าหรือที่หมดอายุการใช้งานให้กับผู้ผลิตเพื่อการกำจัดไม่มีค่าใช้จ่ายใดๆ กับผู้ใช้

ภาพรวมผลิตภัณฑ์

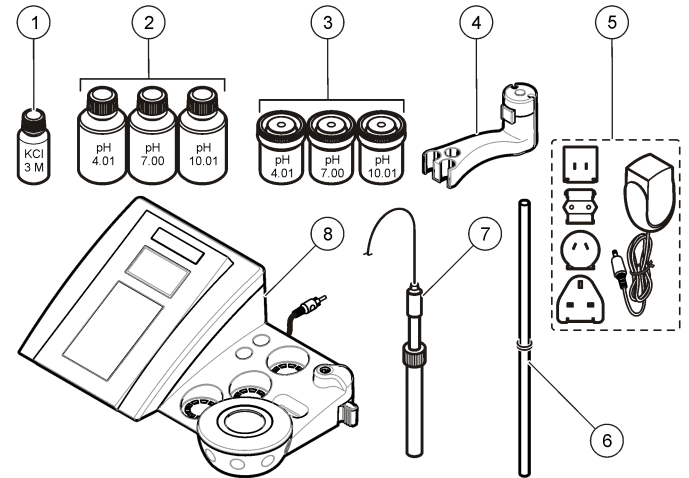
มิเตอร์ sensION™+ มีไว้เพื่อใช้งานร่วมกับโพรบในการตรวจวัดพารามิเตอร์ต่างๆ ในน้ำ

มิเตอร์ sensION™+ PH3 สำหรับตรวจวัดค่า pH, ORP (mV) หรืออุณหภูมิ

ส่วนประกอบของผลิตภัณฑ์

โปรดดูที่ รูปที่ 1 เพื่อตรวจสอบให้แน่ใจว่าคุณได้รับครบทุกชิ้นส่วนของผลิตภัณฑ์ หากพบว่าชิ้นส่วนใดสูญหายหรือชำรุด โปรดติดต่อผู้ผลิตหรือพนักงานขายทันที

รูปที่ 1 ส่วนประกอบของมิเตอร์

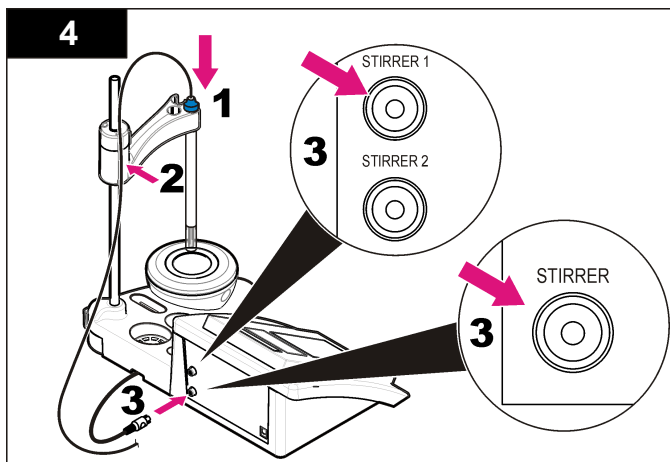
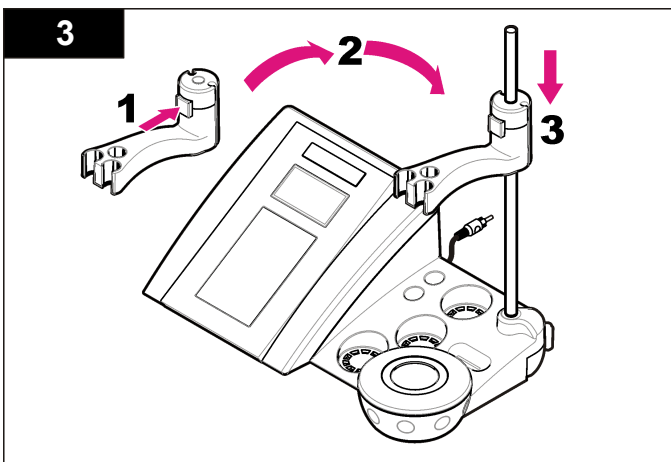
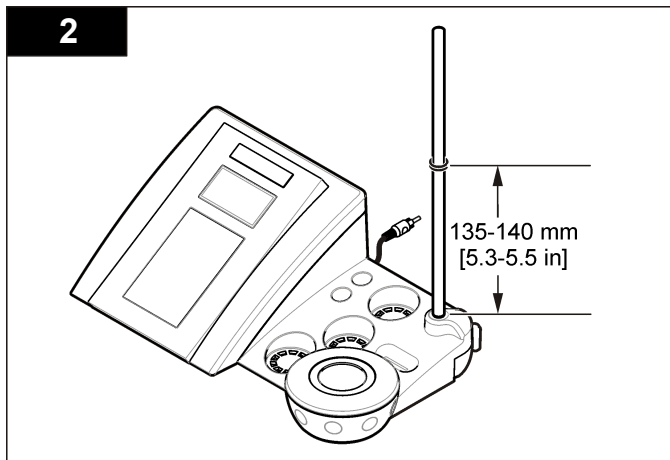
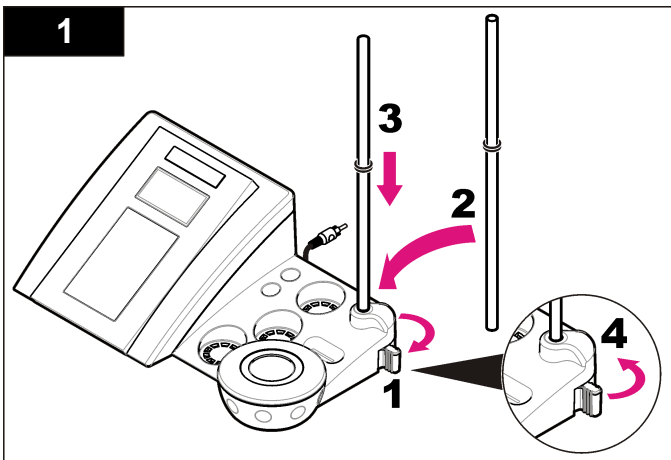


1 อิเล็กโทรไลต์สำหรับโพรบ	5 พาวเวอร์ซัพพลาย
2 น้ำยาปรับเทียบ (pH 4.01, pH 7.00 และ pH 10.01)	6 รีดพร้อมโอ-ริง
3 มิกเกอร์ปรับเทียบ (พร้อมแท่งแม่เหล็กคานัน)	7 โพรบ (รวมอยู่ในชุดเท่านั้น)
4 แท่นยึดโพรบ	8 มิเตอร์

การติดตั้ง

การประกอบแท่นยึดโพรบ

ทำตามขั้นตอนต่อไปนี้ในการประกอบแท่นยึด โพรบและเชื่อมต่ออุปกรณ์แม่เหล็กกวนสาร



การต่อไฟ AC

⚠️ อันตราย

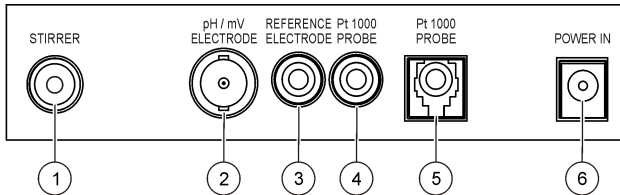


อันตรายจากไฟฟ้าช็อต หากใช้อุปกรณ์นี้กลางแจ้งหรือในที่ที่อาจมีความเปียกชื้น จะต้องเชื่อมอุปกรณ์เข้ากับแหล่งพลังงานหลัก โดยใช้เครื่องตัดวงจรไฟฟ้าเมื่อกระแสรั่วลงดิน (Ground Fault Circuit Interrupt - GFCI/GFI)

มีเตอร์สามารถต่อกับไฟ AC ได้ โดยใช้ชุดอะแดปเตอร์ไฟอเนกประสงค์ AC

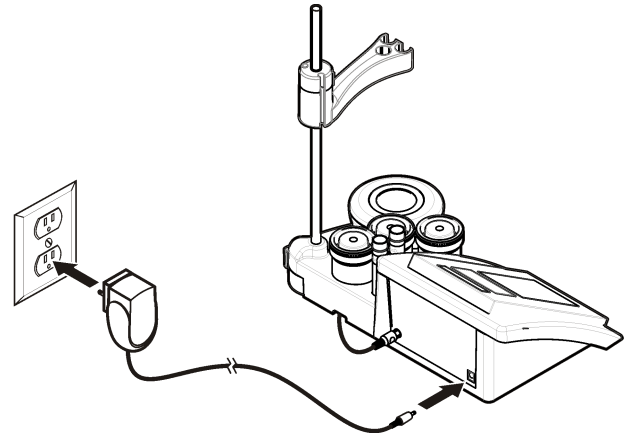
1. เลือกปลั๊กอะแดปเตอร์ที่ถูกต้องสำหรับเต้ารับจากชุดอะแดปเตอร์
2. เชื่อมต่ออะแดปเตอร์ไฟอเนกประสงค์เข้ากับมีเตอร์ (รูปที่ 2)
3. เชื่อมต่ออะแดปเตอร์ไฟอเนกประสงค์เข้ากับเต้ารับ AC (รูปที่ 3)
4. เปิดมีเตอร์

รูปที่ 2 แผงเชื่อมต่อ



1 ช่องเชื่อมต่ออุปกรณ์แม่เหล็กกวนสาร	4 ช่องเชื่อมต่อโพรบวัดอุณหภูมิ
2 ช่องเชื่อมต่ออิเล็กโทรด pH แบบผสม (หรือตัวแสดงสถานะ)	5 ช่องเชื่อมต่อโพรบอุณหภูมิแบบแยก
3 ช่องเชื่อมต่ออิเล็กโทรดอ้างอิง (อิเล็กโทรดแยก)	6 พาวเวอร์ซัพพลาย

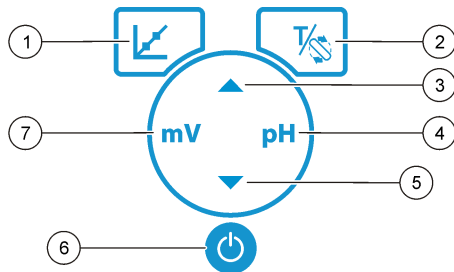
รูปที่ 3 การต่อไฟ AC



อินเทอร์เฟซผู้ใช้และโครงสร้างเมนู

อินเทอร์เฟซผู้ใช้

คำอธิบายปุ่มกด

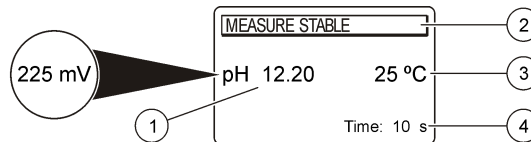


1 ปุ่ม CALIBRATION: เริ่มการปรับเทียบ ดูข้อมูลการปรับเทียบ และเปลี่ยนแปลงความถี่ในการปรับเทียบ	5 ปุ่ม DOWN (ลง): เลื่อนไปยังตัวเลือกอื่น, เปลี่ยนแปลงค่า
2 ปุ่ม TEMPERATURE (อุณหภูมิ) และ STIRRER (อุปกรณ์การกวน): เปลี่ยนอุณหภูมิ (°C, °F) หรือความเร็วในการกวน	6 เปิด/ปิด: เปิดหรือปิดมิเตอร์
3 ปุ่ม UP (ขึ้น): เลื่อนไปยังตัวเลือกอื่น, เปลี่ยนแปลงค่า	7 ปุ่มตรวจวัด mV: เริ่มการตรวจวัด ORP (mV)
4 ปุ่มตรวจวัด pH: เริ่มการตรวจวัด pH	

คำอธิบายจอแสดงผล

หน้าจอแสดงผลของมิเตอร์จะแสดงความเข้มข้น, ยูนิต, อุณหภูมิ, สถานะการปรับเทียบ, วันที่และเวลา

รูปที่ 4 การแสดงผลแบบหน้าจอเดียว



1 หน่วยและค่าการตรวจวัด (pH, ORP (mV))	3 อุณหภูมิตัวอย่าง (°C หรือ °F)
2 โหมดการตรวจวัด หรือเวลาและวันที่	4 ตัวจับเวลาการตรวจวัดที่มองเห็น

การใช้งานทั่วไป

ใช้ปุ่มปรับเทียบ เพื่อปรับเทียบโพรบ ใช้ปุ่มพารามิเตอร์เพื่อทำการวัดตัวอย่าง ใช้ปุ่ม TEMPERATURE (อุณหภูมิ) และ STIRRER (เครื่องกวน) เพื่อเปลี่ยนอุณหภูมิ (°C, °F) หรือความเร็วในการกวน ใช้ปุ่มลูกศร เพื่อเลื่อนไปยังตัวเลือกอื่น หรือเพื่อเปลี่ยนค่า ควรแน่ใจว่าได้มองที่จอแสดงผลในระหว่างการดำเนินงาน เนื่องจากหน้าจอก็จะเปลี่ยนแปลงอย่างรวดเร็ว โปรดดูคำแนะนำเฉพาะของแต่ละการดำเนินงาน

การเริ่มทำงาน

เปิดและปิดมิเตอร์

หมายเหตุ
ตรวจสอบให้แน่ใจว่าได้เชื่อมต่อโพรบเข้ากับเครื่องวัด ก่อนที่เปิดเครื่องวัด

กด เพื่อเปิดหรือปิดเครื่องวัด หากเปิดมิเตอร์ไม่ได้ ตรวจสอบให้แน่ใจว่าได้ทำการเชื่อมต่อพาวเวอร์ซัพพลาย AC กับเต้าไฟฟ้าอย่างถูกต้อง



การเปลี่ยนภาษา

การเลือกภาษาสำหรับการแสดงผลจะเกิดขึ้นเมื่อเปิดใช้งานมิเตอร์เป็นครั้งแรก ใช้ เพื่อเลือกภาษาจากรายการ มิเตอร์จะกลับเข้าสู่หน้าจอการตรวจวัดโดยอัตโนมัติหลังจากผ่านไป 3 วินาที

บันทึก: หากต้องการเปลี่ยนภาษาจากเมนูหลัก กด

การทำงานมาตรฐาน





การเปรียบเทียบ

⚠️ อันตราย	
 	อาจได้รับอันตรายจากการสัมผัสสารเคมี ปฏิบัติตามขั้นตอนเพื่อความปลอดภัยในห้องปฏิบัติการและสวมใส่อุปกรณ์ป้องกันทั้งหมด ให้เหมาะสมในการดำเนินงานกับสารเคมีนั้นๆ โปรดดูกฎระเบียบด้านความปลอดภัยได้ที่เอกสารข้อมูลด้านความปลอดภัยฉบับปัจจุบัน (MSDS/SDS)

ขั้นตอนการเปรียบเทียบ


ขั้นตอนเหล่านี้มีเพื่อการใช้ทั่วไปของน้ำยาเปรียบเทียบของเหลว โปรดดูข้อมูลเพิ่มเติมจากเอกสารของแต่ละโทรบ

บันทึก: สารละลายควรได้รับการกวนในระหว่างการเปรียบเทียบ สำหรับข้อมูลเพิ่มเติมเกี่ยวกับการตั้งค่าการกวน โปรดดูที่ **การเปลี่ยนการตั้งค่าการกวน ในหน้า 91**

1. เติมน้ำยาฟิโพรหรือน้ำยาเปรียบเทียบลงในบีกเกอร์เปรียบเทียบ
2. จากเมนูหลัก กด  เพื่อเลือกการเปรียบเทียบ pH หรือ mV
3. ถ้างโทรบด้วยน้ำปราศจากไอออน และจุ่มโทรบลงในบีกเกอร์เปรียบเทียบอันแรก ตรวจสอบให้แน่ใจว่าไม่มีฟองอากาศเกิดขึ้นภายในเมมเบรน
4. กด  เพื่อวัดน้ำยาเปรียบเทียบแรก
ข้อความ "The next calibration solution" (น้ำยาเปรียบเทียบถัดไป) จะปรากฏขึ้น
5. ถ้างโทรบด้วยน้ำกลั่น และจุ่มโทรบลงในบีกเกอร์เปรียบเทียบอันที่สอง ตรวจสอบให้แน่ใจว่าไม่มีฟองอากาศเกิดขึ้นภายในเมมเบรน
6. กด  เพื่อตรวจวัดน้ำยาเปรียบเทียบที่สอง
ข้อความ "The next calibration solution" (น้ำยาเปรียบเทียบถัดไป) จะปรากฏขึ้น
7. ถ้างโทรบด้วยน้ำกลั่น และจุ่มโทรบลงในบีกเกอร์เปรียบเทียบอันที่สาม ตรวจสอบให้แน่ใจว่าไม่มีฟองอากาศเกิดขึ้นภายในเมมเบรน
8. กด  เพื่อตรวจวัดโซลูชันการเปรียบเทียบที่สาม
เมื่อการเปรียบเทียบเป็นปกติ หน้าจอจะแสดงข้อความ "3rd Buffer OK" เป็นเวลาสั้นๆ จากนั้นจะกลับไปไปยังเมนูหลัก

ดูข้อมูลการเปรียบเทียบ




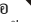
สามารถแสดงข้อมูลจากการเปรียบเทียบล่าสุดได้

1. จากเมนูหลัก กด 
2. ใช้  เพื่อดูข้อมูลการเปรียบเทียบครั้งล่าสุด มิเตอร์จะกลับเข้าสู่หน้าจอการตรวจวัดโดยอัตโนมัติ หลังจากผ่านไป 3 วินาที

ตั้งตัวเตือนการเปรียบเทียบ

สามารถตั้งตัวเตือนการเปรียบเทียบได้ตั้งแต่ 0 ถึง 23 ชั่วโมง หรือ 1-7 วัน (ถ้าเริ่มต้น 1 วัน) หน้าจอจะแสดงระยะเวลาที่เหลือก่อนการเปรียบเทียบครั้งใหม่

บันทึก: เมื่อเลือก 0 วัน จะเป็นการปิดตัวเตือนการเปรียบเทียบ

1. จากเมนูหลัก กด  และกด  จนกว่าหน้าจอจะแสดง ความถี่ในการเปรียบเทียบ
2. ใช้  หรือ  เพื่อเปลี่ยนแปลงค่า
มิเตอร์จะกลับเข้าสู่หน้าจอการตรวจวัดโดยอัตโนมัติ หลังจากผ่านไป 3 วินาที

การตรวจวัดตัวอย่าง

โทรบแต่ละอันจะมีขั้นตอนการเตรียมการและขั้นตอนการวัดตัวอย่างที่แตกต่างกัน สำหรับคำแนะนำโดยละเอียดทุกขั้นตอน โปรดดูเอกสารที่มาพร้อมกับตัวโทรบ

บันทึก: สารละลายควรได้รับการกวนในระหว่างการตรวจวัด สำหรับข้อมูลเพิ่มเติมเกี่ยวกับการตั้งค่าการกวน โปรดดูที่ **การเปลี่ยนการตั้งค่าการกวน ในหน้า 91**

บันทึก: อุณหภูมิจะไม่ถูกแสดงในระหว่างการตรวจวัด ORP (mV) ในขณะที่ไม่ได้เชื่อมต่อกับโทรบอุณหภูมิ

กด pH หรือ ORP (mV) เพื่อทำการตรวจวัดตัวอย่าง ในระหว่างการวัด พารามิเตอร์จะกะพริบและเวลาในการปรับเสถียรภาพจะปรากฏขึ้นบนตัวตั้งเวลา ในการเปลี่ยนพารามิเตอร์การตรวจวัด (หากสามารถทำได้) ให้กด pH หรือ ORP (mV) ค้างไว้

ในการตรวจวัดตัวอย่างอย่างต่อเนื่อง ให้กด pH หรือ ORP (mV) เพื่อเริ่มทำการตรวจวัด และกด pH หรือ ORP (mV) อีกครั้ง ในระหว่างการปรับเสถียรภาพ พารามิเตอร์จะกะพริบเพื่อแจ้งว่าอยู่ในโหมดการวัดต่อเนื่อง

การปฏิบัติการขั้นสูง

การเปลี่ยนวันที่และเวลา

คุณสามารถเปลี่ยนวันที่และเวลาได้จากเมนูวันที่และเวลา

1. ใช้ ▼ เพื่อเข้าสู่เมนูวันที่และเวลา รูปแบบวันที่และเวลา: dd-mm-yyyy 24h. ค่าที่จะทำการเปลี่ยนจะถูกไฮไลต์โดยอัตโนมัติ และจะเลื่อนไปยังค่าถัดไป หากไม่ได้กด ▲ หรือ ▼
2. หากต้องการเปลี่ยนค่า กด ▲ หรือ ▼ เมื่อค่าที่ไฮไลต์ถูกเลือก วันที่และเวลาปัจจุบันจะถูกแสดงบนจอแสดงผล

ปรับค่าคอนทราสต์จอแสดงผล

1. กด ▲ และ ▼ พร้อมกัน เพื่อเข้าสู่เมนูค่าคอนทราสต์จอแสดงผล
2. ใช้ ▲ หรือ ▼ เพื่อปรับคอนทราสต์จอแสดงผล มิเตอร์จะกลับเข้าสู่หน้าจอการตรวจวัด โดยอัตโนมัติ หลังจากผ่านไป 3 วินาที

การเปลี่ยนการตั้งค่าการกวน

ความเร็วในการกวนสามารถเปลี่ยนแปลงได้ในระหว่างการปรับเทียบและการตรวจวัด


1. กด $\frac{1}{2}$ ระหว่างการปรับเทียบ หรือระหว่างการตรวจวัดเพื่อเข้าถึงเมนูการกวนสาร
2. ใช้ ▲ หรือ ▼ เพื่อปรับความเร็วการกวนสารเป็น %

การเปลี่ยนหน่วยอุณหภูมิ

สามารถเปลี่ยนหน่วยอุณหภูมิเป็น เซลเซียส หรือ ฟาเรนไฮต์ ได้

1. จากหน้าจอหลัก กด $\frac{1}{2}$
2. กด $\frac{1}{2}$ เพื่อเลือกระหว่าง เซลเซียส หรือ ฟาเรนไฮต์

การดูแลรักษา

⚠ ข้อควรระวัง	
	อันตรายหลายประการ ควรให้บุคลากรผู้เชี่ยวชาญเท่านั้นดำเนินการตามขั้นตอนที่ระบุในเอกสารส่วนนี้
หมายเหตุ	
ห้ามถอดแยกชิ้นส่วนอุปกรณ์ในการบำรุงรักษา หากจำเป็นต้องทำความสะอาดหรือซ่อมแซมส่วนประกอบภายใน ให้ทำการติดต่อผู้ผลิต	

การทำความสะอาดอุปกรณ์

หมายเหตุ
ห้ามใช้ผลิตภัณฑ์ทำความสะอาดที่มีส่วนผสมของน้ำมันสน, อะซิโตน หรือผลิตภัณฑ์ที่คล้ายกันนี้ ในการทำความสะอาดอุปกรณ์ รวมถึงจอแสดงผล และอุปกรณ์เสริม

ทำความสะอาดด้านนอกของอุปกรณ์ด้วยผ้าเปียก ชุบด้วยน้ำสบู่อ่อนๆ

การทำความสะอาดโพรบ

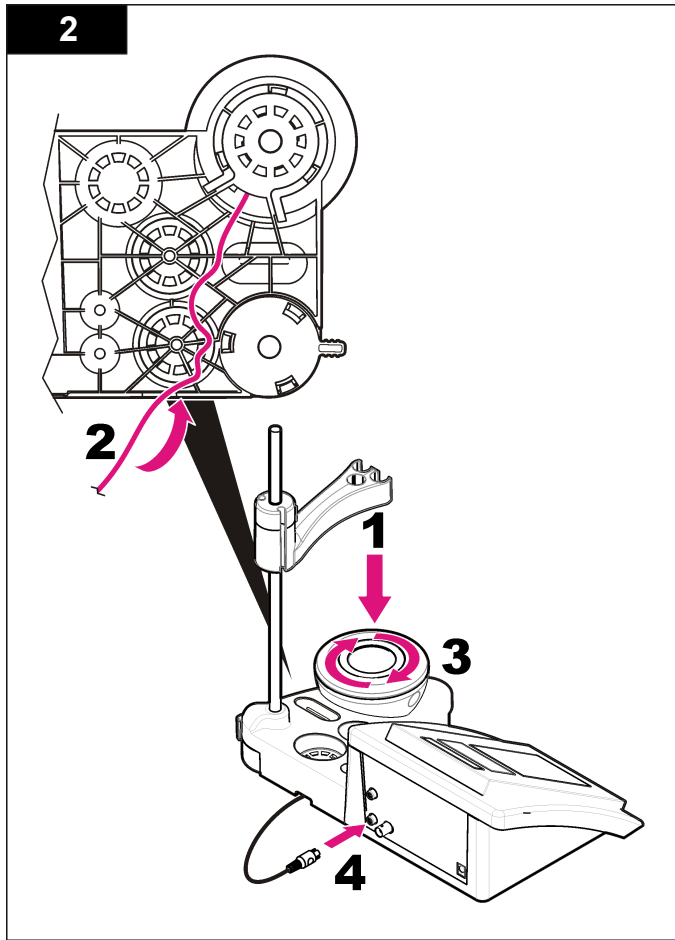
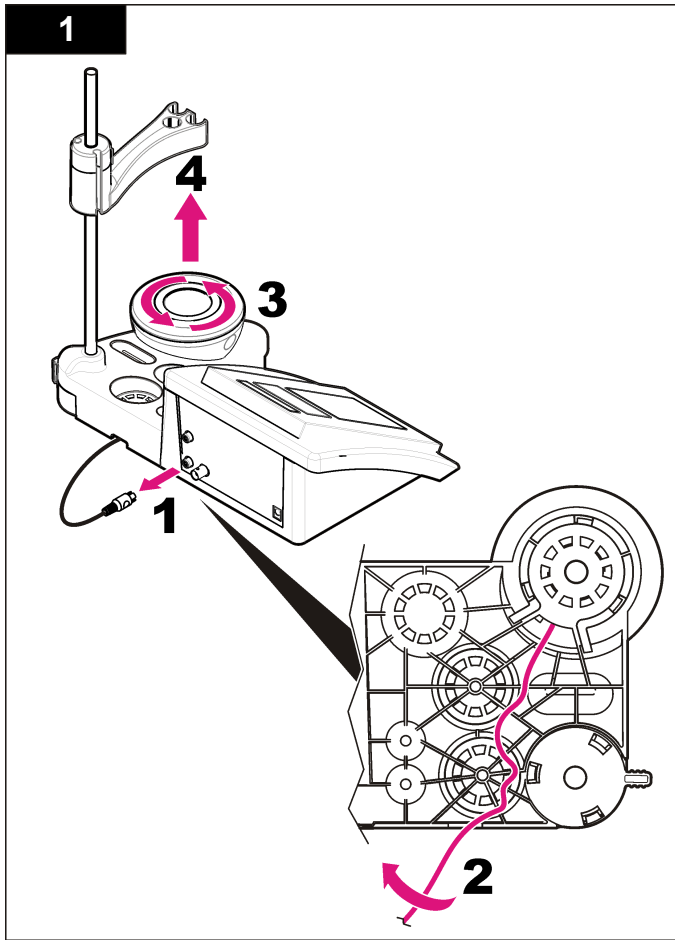
ทำความสะอาดโพรบเมื่อจำเป็น โปรดดูที่ **การแก้ไขปัญหา** ในหน้า 94 สำหรับข้อมูลเพิ่มเติมเกี่ยวกับวิธีการทำความสะอาด โพรบดูเอกสารของโพรบสำหรับข้อมูลเพิ่มเติมกับการดูแลรักษาโพรบ ใช้สารทำความสะอาดที่แสดงไว้ใน **ตาราง 1** สำหรับการปนเปื้อนบนโพรบ pH

ตาราง 1 สารทำความสะอาดสำหรับโพรบ pH

การปนเปื้อน	สารทำความสะอาด
โปรตีน	สารละลายทำความสะอาดที่เปปซิน
ไข, น้ำมัน, ไขมัน	สารละลายทำความสะอาดอัลกอฮอล์ไตรด
ตะกอน	สารละลาย 0.1 N HCl

เปลี่ยนอุปกรณ์แม่เหล็กกวนสาร




หากอุปกรณ์แม่เหล็กกวนสารไม่เริ่มทำงาน ให้ทำตามขั้นตอนต่อไปนี้เพื่อทำการเปลี่ยนอุปกรณ์แม่เหล็กกวนสาร




การแก้ไขปัญหา

โปรดดูตารางต่อไปนี้สำหรับข้อความแสดงปัญหาหรืออาการทั่วไป สาเหตุของปัญหาที่เป็นไปได้ และแนวทางแก้ไขปัญหานั้น


ตาราง 2 คำเตือนและข้อผิดพลาดในการเปรียบเทียบ

ข้อผิดพลาด/คำเตือน	แนวทางแก้ไขปัญหา
ความชัน > 58 mV	อยู่นอกช่วงความชัน (ค่าที่ยอมรับ ± 58 mV) ทำซ้ำ  เชื่อมต่อโพรบอันใหม่
บัฟเฟอร์หรืออิเล็กโตรดอยู่ในสถานะดีออกซิเดชัน	ทำซ้ำ  ตรวจสอบโพรบ: ทำความสะอาดโพรบ (ดูที่ การทำความสะอาดโพรบ ในหน้า 91 สำหรับข้อมูลเพิ่มเติม); ตรวจสอบให้แน่ใจว่าไม่มีฟองอากาศภายในเมมเบรน เช่าโพรบเหมือนกับเทอร์โมมิเตอร์; เชื่อมต่อโพรบอันอื่นเพื่อตรวจสอบว่าปัญหาเกิดขึ้นจากโพรบหรือมิเตอร์
Sens. (a) < 70%	ตรวจสอบน้ำยาบัฟเฟอร์: ตรวจสอบให้แน่ใจว่าบัฟเฟอร์ที่ใช้ตรงกับบัฟเฟอร์ที่ระบุไว้ในกาหนดค่า; ตรวจสอบให้แน่ใจว่าอุณหภูมิตรงกับที่ระบุไว้ในกาหนดค่า; ใช้น้ำยาบัฟเฟอร์ใหม่
BUFFER NOT RECOGNIZED	ตรวจสอบน้ำยาบัฟเฟอร์: ตรวจสอบให้แน่ใจว่าบัฟเฟอร์ที่ใช้ตรงกับบัฟเฟอร์ที่ระบุไว้ในกาหนดค่า; ตรวจสอบให้แน่ใจว่าอุณหภูมิตรงกับที่ระบุไว้ในกาหนดค่า; ใช้น้ำยาบัฟเฟอร์ใหม่
UNSTABLE READING Time > 100 s	ทำซ้ำ  ตรวจสอบโพรบ: ทำความสะอาดโพรบ (ดูที่ การทำความสะอาดโพรบ ในหน้า 91 สำหรับข้อมูลเพิ่มเติม); ตรวจสอบให้แน่ใจว่าไม่มีฟองอากาศภายในเมมเบรน เช่าโพรบเหมือนกับเทอร์โมมิเตอร์; เชื่อมต่อโพรบอันอื่นเพื่อตรวจสอบว่าปัญหาเกิดขึ้นจากโพรบหรือมิเตอร์ ตรวจสอบให้แน่ใจว่าเมมเบรนและโคอะเฟรมจุ่มอยู่ในตัวอย่างอย่างถูกต้อง

ตาราง 2 คำเตือนและข้อผิดพลาดในการเปรียบเทียบ (ต่อ)

ข้อผิดพลาด/คำเตือน	แนวทางแก้ไขปัญหา
อิเล็กโตรดอยู่ในสถานะดีออกซิเดชัน	ตรวจสอบโพรบ: ทำความสะอาดโพรบ (ดูที่ การทำความสะอาดโพรบ ในหน้า 91 สำหรับข้อมูลเพิ่มเติม); ตรวจสอบให้แน่ใจว่าไม่มีฟองอากาศภายในเมมเบรน เช่าโพรบเหมือนกับเทอร์โมมิเตอร์; เชื่อมต่อโพรบอันอื่นเพื่อตรวจสอบว่าปัญหาเกิดขึ้นจากโพรบหรือมิเตอร์
ตรวจสอบอิเล็กโตรด	ตรวจสอบโพรบ: ทำความสะอาดโพรบ (ดูที่ การทำความสะอาดโพรบ ในหน้า 91 สำหรับข้อมูลเพิ่มเติม); ตรวจสอบให้แน่ใจว่าไม่มีฟองอากาศภายในเมมเบรน เช่าโพรบเหมือนกับเทอร์โมมิเตอร์; เชื่อมต่อโพรบอันอื่นเพื่อตรวจสอบว่าปัญหาเกิดขึ้นจากโพรบหรือมิเตอร์
SAME BUFFERS	ทำซ้ำ  ตรวจสอบโพรบ: ทำความสะอาดโพรบ (ดูที่ การทำความสะอาดโพรบ ในหน้า 91 สำหรับข้อมูลเพิ่มเติม); ตรวจสอบให้แน่ใจว่าไม่มีฟองอากาศภายในเมมเบรน เช่าโพรบเหมือนกับเทอร์โมมิเตอร์; เชื่อมต่อโพรบอันอื่นเพื่อตรวจสอบว่าปัญหาเกิดขึ้นจากโพรบหรือมิเตอร์ ตรวจสอบน้ำยาบัฟเฟอร์: ใช้น้ำยาบัฟเฟอร์ใหม่

ตาราง 3 คำเตือนและข้อผิดพลาดในการตรวจวัด

ข้อผิดพลาด/คำเตือน	แนวทางแก้ไขปัญหา
pH 12.78 19°C	ทำซ้ำ 
pH อยู่นอกช่วง	ตรวจสอบโพรบ: ทำความสะอาดโพรบ (ดูที่ การทำความสะอาดโพรบ ในหน้า 91 สำหรับข้อมูลเพิ่มเติม); ตรวจสอบให้แน่ใจว่าไม่มีฟองอากาศภายในเมมเบรน เช่าโพรบเหมือนกับเทอร์โมมิเตอร์; เชื่อมต่อโพรบอันอื่นเพื่อตรวจสอบว่าปัญหาเกิดขึ้นจากโพรบหรือมิเตอร์
อุณหภูมิอยู่นอกช่วง °C	ตรวจสอบเซนเซอร์อุณหภูมิ: เชื่อมต่อโพรบอันอื่นเพื่อตรวจสอบว่าปัญหาเกิดขึ้นกับโพรบหรือมิเตอร์
เวลา > 150 วินาที	ตรวจสอบให้แน่ใจว่าเมมเบรนและโคอะเฟรมจุ่มอยู่ในตัวอย่างอย่างถูกต้อง ตรวจสอบอุณหภูมิ ตรวจสอบโพรบ: ทำความสะอาดโพรบ (ดูที่ การทำความสะอาดโพรบ ในหน้า 91 สำหรับข้อมูลเพิ่มเติม); ตรวจสอบให้แน่ใจว่าไม่มีฟองอากาศภายในเมมเบรน เช่าโพรบเหมือนกับเทอร์โมมิเตอร์; เชื่อมต่อโพรบอันอื่นเพื่อตรวจสอบว่าปัญหาเกิดขึ้นจากโพรบหรือมิเตอร์

ส่วนประกอบสำหรับเปลี่ยนแทนและอุปกรณ์เสริม

บันทึก: หมายเลขผลิตภัณฑ์และส่วนประกอบอาจแตกต่างกันไปตามภูมิภาคที่จัดจำหน่าย ติดต่อตัวแทนจำหน่าย หรือ ไปที่เว็บไซต์ของบริษัทเพื่อดูข้อมูลผลิตภัณฑ์

ชิ้นส่วนอะไหล่

คำอธิบาย	หมายเลขสินค้า
มิเตอร์-pH sensION+ PH3 Lab พร้อมอุปกรณ์เสริม, ไม่มีโพรม	LPV2000.97.0002
มิเตอร์-pH sensION+ PH31 Lab, GLP, พร้อมอุปกรณ์เสริม, ไม่มีโพรม	LPV2100.97.0002
มิเตอร์-pH & Ion sensION+ MM340 Lab, GLP, 2 แชนเนล, พร้อมอุปกรณ์เสริม, ไม่มีโพรม	LPV2200.97.0002
มิเตอร์นำไฟฟ้า sensION+ EC7, พร้อมอุปกรณ์เสริม, ไม่มีโพรม	LPV3010.97.0002
มิเตอร์นำไฟฟ้า sensION+ EC71 Lab, GLP, พร้อมอุปกรณ์เสริม, ไม่มีโพรม	LPV3110.97.0002
sensION+ MM374, มิเตอร์เส้น 2 แชนเนล, GLP, อุปกรณ์เสริม, ไม่มีโพรม	LPV4110.97.0002

วัสดุสิ้นเปลือง

คำอธิบาย	หมายเลขสินค้า
น้ำยาบัพเฟอร์ pH 4.01 125 มล.	LZW9460.99
น้ำยาบัพเฟอร์ pH 7.00 125 มล.	LZW9461.97
น้ำยาบัพเฟอร์ pH 10.01 125 มล.	LZW9470.99
น้ำยาบัพเฟอร์ pH 4.01 250 มล.	LZW9463.99
น้ำยาบัพเฟอร์ pH 7.00 250 มล.	LZW9464.97
น้ำยาบัพเฟอร์ pH 10.01 250 มล.	LZW9471.99

วัสดุสิ้นเปลือง (ต่อ)

คำอธิบาย	หมายเลขสินค้า
น้ำยาบัพเฟอร์ pH 4.01 1000 มล.	LZW9466.99
น้ำยาบัพเฟอร์ pH 7.00 1000 มล.	LZW9467.97
น้ำยาบัพเฟอร์ pH 10.01 1000 มล.	LZW9472.99
น้ำยาอิเล็กโทรไลต์ (KC13M), 125 มล.	LZW9510.99
น้ำยาอิเล็กโทรไลต์ (KC13M), 250 มล.	LZW9500.99
น้ำยาอิเล็กโทรไลต์ (KC13M), 50 มล.	LZW9509.99
น้ำยาอิเล็กโทรไลต์ 0.1 M, 125 มล.	LZW9901.99
สารละลายอนไฮม์	2964349
สายละลายทำความสะอาดเป็นจีน	2964349
สารละลายทำความสะอาดอิเล็กโทรด	2965249
สารละลาย 0.1 N HCl	1481253
เอทานอล, 95% (จาร์บี, น้ำมัน, ไชมัน)	2378900

อุปกรณ์เสริม

คำอธิบาย	หมายเลขสินค้า
อุปกรณ์แม่เหล็กกวนสารพร้อมแท่นยึดเซนเซอร์, สำหรับเบนซ์ที่อป sensION + MM	LZW9319.99
บีกเกอร์พิมพ์ลายขนาด 3x50 มล. สำหรับเบนซ์ที่อปปรับเทียบ pH	LZW9110.97
แท่นยึดสามเซนเซอร์, สำหรับอุปกรณ์เบนซ์ที่อป sensION+	LZW9321.99
แท่นยึดและเกลมบร์สำหรับสามเซนเซอร์	LZW9155.99

อุปกรณ์เสริม (ต่อ)

คำอธิบาย	หมายเลขสินค้า
ช่องกระจก Pyrex, สำหรับการตรวจวัดโพลาไรซ์อย่างต่อเนื่อง	LZW9118.99
อุปกรณ์ป้องกัน PP, สำหรับจัดเก็บอิเล็กโทรด	LZW9161.99

นํ้ายาสอบเทียบ

นํ้ายาบัฟเฟอร์ทางเทคนิค (DIN 19267)

ดูรายละเอียดในตาราง 4 ซึ่งแสดงความสัมพันธ์ระหว่างค่า pH และ ORP (mV) ของบัฟเฟอร์ที่อุณหภูมิต่างๆ

ตาราง 4 ค่า pH, ORP (mV) และอุณหภูมิ

อุณหภูมิ		pH					mV
°C	°F						
0	32	2.01	4.01	7.12	9.52	10.30	—
10	50	2.01	4.00	7.06	9.38	10.17	245
20	68	2.00	4.00	7.02	9.26	10.06	228
25	77	2.00	4.01	7.00	9.21	10.01	220
30	86	2.00	4.01	6.99	9.16	9.96	212
40	104	2.00	4.03	6.97	9.06	9.88	195
50	122	2.00	4.06	6.97	8.99	9.82	178
60	140	2.00	4.10	6.98	8.93	9.76	160
70	158	2.01	4.16	7.00	8.88	—	—
80	176	2.01	4.22	7.04	8.83	—	—
90	194	2.01	4.30	7.09	8.79	—	—

HACH COMPANY World Headquarters

P.O. Box 389, Loveland, CO 80539-0389 U.S.A.

Tel. (970) 669-3050

(800) 227-4224 (U.S.A. only)

Fax (970) 669-2932

orders@hach.com

www.hach.com

HACH LANGE GMBH

Willstätterstraße 11

D-40549 Düsseldorf, Germany

Tel. +49 (0) 2 11 52 88-320

Fax +49 (0) 2 11 52 88-210

info-de@hach.com

www.de.hach.com

HACH LANGE Sàrl

6, route de Compois

1222 Vérenaz

SWITZERLAND

Tel. +41 22 594 6400

Fax +41 22 594 6499

