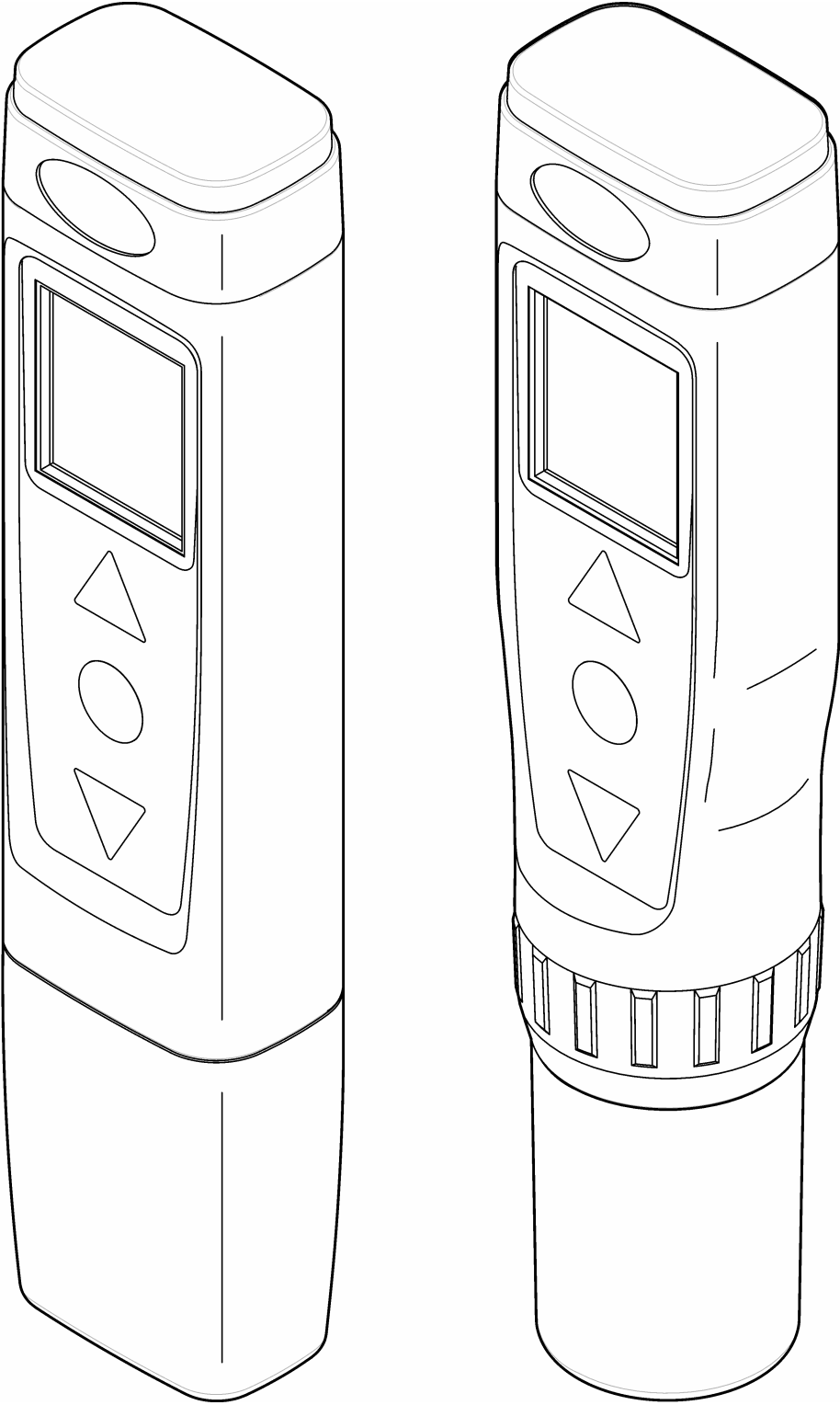


User Manual

Pocket Pro™, Pro™ + ORP



Specifications

Specifications are subject to change without notice.

Specification	Details
Dimensions (W x D x H)	37 x 30 x 170 mm (1.45 x 1.18 x 6.69 in.)
Enclosure rating	IP67
Weight	135 g (0.297 lb) with batteries
Power requirements (internal)	AAA alkaline batteries (4x)
Battery life	Pocket Pro: 450 hours Pocket Pro+: 450 hours (200 hours with backlight on)
Operating temperature	0 to 50 °C (32 to 122 °F)
Storage temperature	-20 to 60 °C (-4 to 140 °F)
Operating humidity	80% (non-condensing)
Altitude	2000 m (6562 ft)
Instrument range	±999 mV
Resolution	1 mV
Accuracy	±2 mV
Calibration points	1 point
Auto-recognition callibration standard	None
Certifications	CE mark, FCC, Industry Canada, KC Mark, RCM, China RoHS
Warranty	6 months for Pocket Pro tester, 1 year for Pocket Pro+ tester and 6 months for replacement sensor for manufacturing faults only. Damage from use is not covered.

General information

In no event will the manufacturer be liable for direct, indirect, special, incidental or consequential damages resulting from any defect or omission in this manual. The manufacturer reserves the right to make changes in this manual and the products it describes at any time, without notice or obligation. Revised editions are found on the manufacturer's website.

Safety information

NOTICE

The manufacturer is not responsible for any damages due to misapplication or misuse of this product including, without limitation, direct, incidental and consequential damages, and disclaims such damages to the full extent permitted under applicable law. The user is solely responsible to identify critical application risks and install appropriate mechanisms to protect processes during a possible equipment malfunction.

Please read this entire manual before unpacking, setting up or operating this equipment. Pay attention to all danger and caution statements. Failure to do so could result in serious injury to the operator or damage to the equipment.



Make sure that the protection provided by this equipment is not impaired. Do not use or install this equipment in any manner other than that specified in this manual.

Use of hazard information

⚠ DANGER
Indicates a potentially or imminently hazardous situation which, if not avoided, will result in death or serious injury.
⚠ WARNING
Indicates a potentially or imminently hazardous situation which, if not avoided, could result in death or serious injury.
⚠ CAUTION
Indicates a potentially hazardous situation that may result in minor or moderate injury.
NOTICE
Indicates a situation which, if not avoided, may cause damage to the instrument. Information that requires special emphasis.

Precautionary labels

Read all labels and tags attached to the instrument. Personal injury or damage to the instrument could occur if not observed. A symbol on the instrument is referenced in the manual with a precautionary statement.

	This symbol, if noted on the instrument, references the instruction manual for operation and/or safety information.
	Electrical equipment marked with this symbol may not be disposed of in European public disposal systems after 12 August of 2005. In conformity with European local and national regulations (EU Directive 2002/96/EC), European electrical equipment users must now return old or end-of-life equipment to the Producer for disposal at no charge to the user. Note: For return for recycling, please contact the equipment producer or supplier for instructions on how to return end-of-life equipment, producer-supplied electrical accessories, and all auxiliary items for proper disposal.

Certification

Canadian Radio Interference-Causing Equipment Regulation, IECS-003, Class B:

Supporting test records reside with the manufacturer.

This Class B digital apparatus meets all requirements of the Canadian Interference-Causing Equipment Regulations.

Cet appareil numérique de classe B répond à toutes les exigences de la réglementation canadienne sur les équipements provoquant des interférences.

FCC Part 15, Class "B" Limits

Supporting test records reside with the manufacturer. The device complies with Part 15 of the FCC Rules. Operation is subject to the following conditions:

1. The equipment may not cause harmful interference.
2. The equipment must accept any interference received, including interference that may cause undesired operation.

Changes or modifications to this equipment not expressly approved by the party responsible for compliance could void the user's authority to operate the equipment. This equipment has been tested and found to comply with the limits for a Class B digital device, pursuant to Part 15 of the FCC rules. These limits are designed to provide reasonable protection against harmful interference when the equipment is operated in a commercial environment. This equipment generates, uses and can radiate radio frequency energy and, if not installed and used in accordance with the instruction manual,

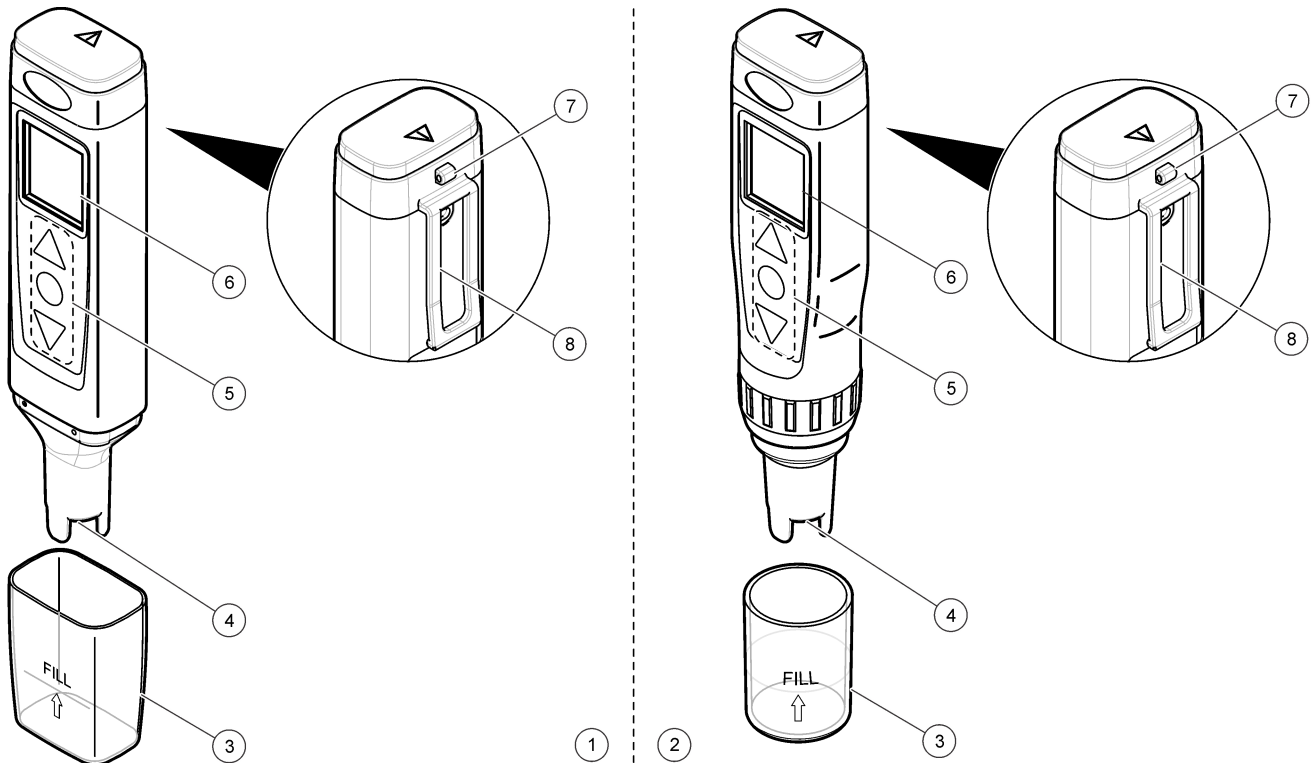
may cause harmful interference to radio communications. Operation of this equipment in a residential area is likely to cause harmful interference, in which case the user will be required to correct the interference at their expense. The following techniques can be used to reduce interference problems:

1. Move the equipment away from the device receiving the interference.
2. Reposition the receiving antenna for the device receiving the interference.
3. Try combinations of the above.

Product overview

The Pocket Pro™ ORP tester and Pocket Pro™+ ORP tester measure the ORP of general water samples. Refer to [Figure 1](#). These testers are waterproof and float.

Figure 1 Product features

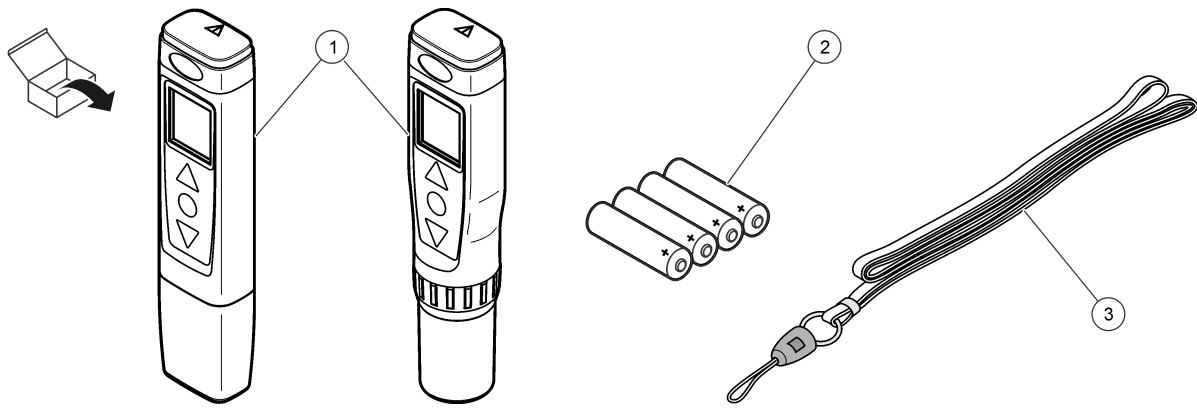


1 Pocket Pro tester	4 Sensor	7 Lanyard attachment
2 Pocket Pro+ tester	5 Keypad	8 Pocket clip
3 Sensor cap	6 Display	

Product components



Make sure that all components have been received. Refer to [Figure 2](#). If any items are missing or damaged, contact the manufacturer or a sales representative immediately.

Figure 2 Product components



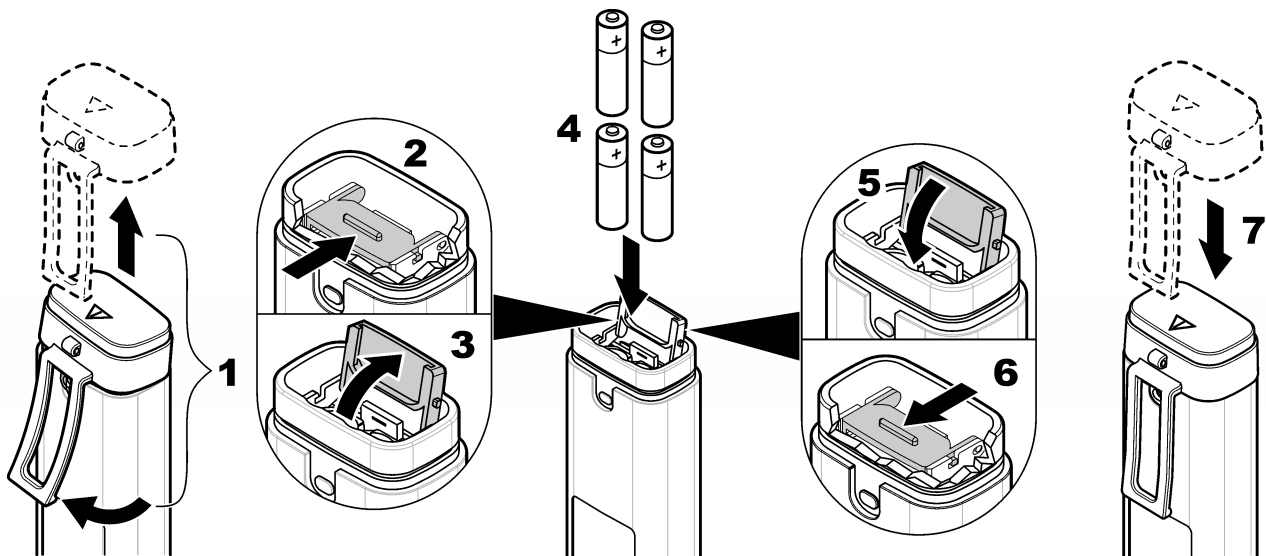
1 Pocket Pro tester or Pocket Pro+ tester	2 AAA alkaline batteries (4x)	3 Lanyard
---	-------------------------------	-----------

Install the batteries

⚠ CAUTION	
	Explosion hazard. Incorrect battery installation can cause the release of explosive gases. Be sure that the batteries are of the same approved chemical type and are inserted in the correct orientation. Do not mix new and used batteries.
⚠ WARNING	
	Fire hazard. Battery substitution is not permitted. Use only alkaline batteries.

Install the four AAA alkaline batteries in the tester. Refer to the illustrated steps in [Figure 3](#).

Figure 3 Install the batteries

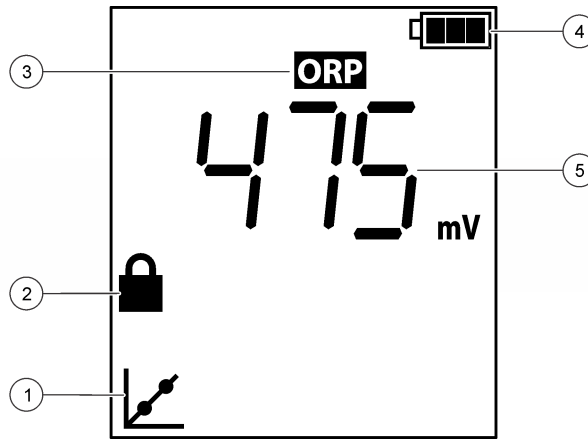


User interface and navigation

Display description

[Figure 4](#) shows the measurements, calibration standard information and indicator icons shown on the display. [Table 1](#) gives descriptions of the icons.

Figure 4 Display overview



1 Calibration icon	3 Parameter	5 Parameter value
2 Lock icon	4 Battery icon	

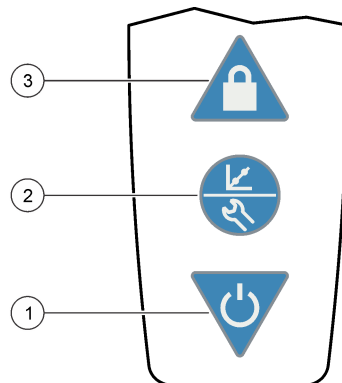
Table 1 Display icons

Icon	Description
	Shows the battery power level. Flashes when the battery power is less than 10%.
	Shows when the lock feature is on. When the lock feature is on, the parameter value on the display does not change. Push to set the lock feature to on or off.
	Shows when the tester is in calibration mode.

Keypad description

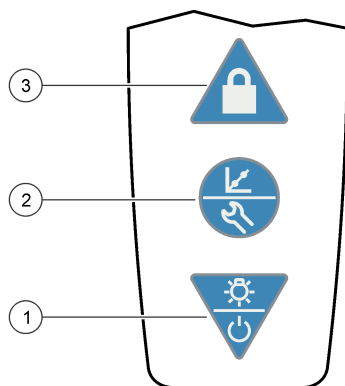
Figure 5 and Figure 6 show the Pocket Pro and Pocket Pro+ keypads. Table 2 gives the key descriptions.

Figure 5 Keypad overview - Pocket Pro



1 Power key	2 Calibration/Settings key	3 Lock key
-------------	----------------------------	------------

Figure 6 Keypad overview - Pocket Pro+





1 Power/Backlight key	2 Calibration/Settings key	3 Lock key
-----------------------	----------------------------	------------

Table 2 Key functions

Key	Description
	Push and hold to set the power to on or off.
	Push and hold to set the power to on or off. Push to set the backlight to on or off. After 1 minute of no activity, the backlight switches off.
	Push to start a calibration. To exit a calibration, push and hold. Push and hold until "SEt" shows on the display to go to the settings menu. To exit the settings menu, push and hold until "End" shows on the display. When in the settings menu, push to scroll through the settings. <i>Note: Power cannot be set to off while in settings or calibration mode.</i>
	Push to set the lock feature to on or off. When the lock feature is on, the lock icon shows and the parameter value on the display does not change.

Calibration

⚠ CAUTION	
 	<p>Chemical exposure hazard. Obey laboratory safety procedures and wear all of the personal protective equipment appropriate to the chemicals that are handled. Refer to the current safety data sheets (MSDS/SDS) for safety protocols.</p>

Calibrate the tester before initial use and when:

- Results drift
- Results are not accurate

Before the initial calibration and after a dry storage, soak the sensor for several minutes in the sample or tap water.

Calibrate

Item to collect: One calibration standard or sample of known ORP value

1. Set the power to on.
2. Remove the cap from the sensor.
3. Push to go to calibration mode.
"CUS" shows on the bottom line.
4. Rinse the sensor and cap with deionized water and blot dry.
5. Pour the calibration standard or sample into the cap to the fill line.

6. Put the sensor fully into the cap.
7. When the measurement is stable, push ▲ and ▼ until the ORP value of the calibration solution or sample shows on the display.
8. Push ↵. The entered value will flash 3 times and then stop. "END" shows on the display.
9. Rinse the sensor and cap with deionized water and blot dry.

Measurement

Note: Temperature compensation is not available on this tester.

1. Set the power to on.
2. Remove the cap from the sensor.
3. If the lock icon shows on the display, push 🔒 to go to continuous measurement mode.
4. Rinse the sensor and cap with deionized water and blot dry.
5. Pour the water sample into the cap to the fill line.
6. Put the sensor fully into the cap. The measured value shows on the top line.
7. To keep the measured value on the display when the sensor is removed from the sample, push 🔒.

Note: The lock icon shows on the display when the measurement is stable.

8. To measure another sample, do steps 3–7.
9. When done with measurements:
 - a. Rinse the sensor and cap with deionized water.
 - b. Put the cap on the tester.
 - c. Set the power to off.

Advanced operation

Configure the settings

1. Push and hold ⚙ until "SEt" shows on the display.
2. Push ⚙ to scroll through the settings. The current value of the setting shows on the bottom line.

Option	Description
AOFF	Set the auto-off feature to on (default) or off. When set to on, power is automatically set to off after 8 minutes of no activity.
rSEt	Change the settings to the factory defaults—Yes or No (default). When set to Yes, changes the settings to the factory settings and default values.

3. To change the value of the setting, push ▲ or ▼.
4. When done with changes, push and hold ⚙ until "End" shows to go to continuous measurement mode.

Maintenance

⚠ CAUTION



Multiple hazards. Only qualified personnel must conduct the tasks described in this section of the document.

Clean the sensor

Clean the sensor when:

- Stabilization is slow

- Results drift or are not accurate
1. Soak the sensor in the applicable cleaning agent. Refer to [Table 3](#).
 2. Rinse or soak the sensor in deionized water for 1 minute.

Table 3 Cleaning agents

Contaminant	Cleaning agent	Time
Grease, oils and fats	Electrode cleaning solution	2 hours maximum
Mineral buildup	10% hydrochloric acid (HCl) solution	5 minutes maximum

Replace the batteries

When the battery icon flashes or the tester will not come on, replace all four batteries. Refer to [Install the batteries](#) on page 5.

Replace the sensor


Note: Only Pocket Pro+ testers have replaceable sensors.

To replace the sensor, refer to the instructions supplied with the sensor.

Troubleshooting

Message	Possible cause	Solution
"- - - -" (top line)	The parameter value is not within the measurement range of the tester. Refer to Specifications on page 2.	Make sure that the value of the sample is within the measurement range of the tester. Gently clean the sensor. Refer to Clean the sensor on page 8. Calibrate as necessary.
Battery icon flashes	The batteries have less than 10% power remaining.	Replace all four batteries. Refer to Install the batteries on page 5.

Replacement parts and accessories

⚠ WARNING	
	Personal injury hazard. Use of non-approved parts may cause personal injury, damage to the instrument or equipment malfunction. The replacement parts in this section are approved by the manufacturer.

Note: Product and Article numbers may vary for some selling regions. Contact the appropriate distributor or refer to the company website for contact information.

Table 4 Replacement parts

Description	Quantity	Item no.
AAA alkaline batteries	4/pkg	4674300
Lanyard	1	201305
ORP sensor, replaceable	1	9532101

Table 5 Accessories

Description	Quantity	Item no.
ORP Standard Solution, Light's, 20 mL/ampule	20/pkg	2612520
ORP Standard Solution, Zobell's	500 mL	2316949
Electrode cleaning solution	500 mL	2965249

Table 5 Accessories (continued)

Description	Quantity	Item no.
Hydrochloric Acid (HCl)	2.5 L	13406
Hydrochloric Acid (HCl)	500 mL	13449

HACH COMPANY World Headquarters
P.O. Box 389, Loveland, CO 80539-0389 U.S.A.
Tel. (970) 669-3050
(800) 227-4224 (U.S.A. only)
Fax (970) 669-2932
orders@hach.com
www.hach.com

HACH LANGE GMBH
Willstätterstraße 11
D-40549 Düsseldorf, Germany
Tel. +49 (0) 2 11 52 88-320
Fax +49 (0) 2 11 52 88-210
info@hach-lange.de
www.hach-lange.de

HACH LANGE Sàrl
6, route de Compois
1222 Vézenaz
SWITZERLAND
Tel. +41 22 594 6400
Fax +41 22 594 6499

