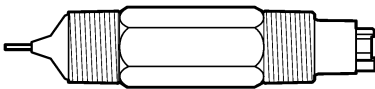
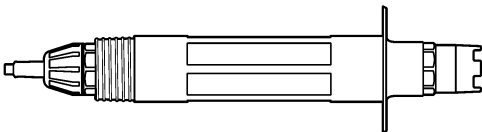
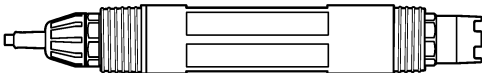
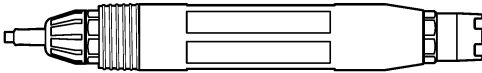




DOC023.97.80076

pHD Analog Differential pH/ORP Sensors

01/2023, Edition 5



Basic User Manual
Manuel d'utilisation simplifié
Manual básico del usuario
Manual básico do usuário
基本用户手册
基本取扱説明書
기본 사용 설명서
คู่มือผู้ใช้เบื้องต้น

Table of Contents

English	3
Français	23
Español	44
Português	65
中文	86
日本語	104
한국어	124
ไทย	144

Table of Contents

- 1 [Additional information](#) on page 3
- 2 [Specifications](#) on page 3
- 3 [General information](#) on page 4
- 4 [Installation](#) on page 6
- 5 [Operation](#) on page 8
- 6 [Maintenance](#) on page 15
- 7 [Troubleshooting](#) on page 19

Section 1 Additional information

An expanded user manual is available on the manufacturer's website.

Section 2 Specifications

Specifications are subject to change without notice.

The product has only the approvals listed and the registrations, certificates and declarations officially provided with the product. The usage of this product in an application for which it is not permitted is not approved by the manufacturer.

Specification	Details
Dimensions (length/diameter)	pHD: 271 mm (10.7 in.)/35 mm (1.4 in.); 1-in. NPT; LCP (liquid crystal polymer): 187 mm (7.35 in.)/51 mm (2 in.); 1-½ in. NPT
Weight	316 g (11 oz)
Pollution degree	2
Overvoltage category	I
Protection class	III
Altitude	2000 m (6562 ft) maximum
Operating temperature	5 to 105 °C (23 to 221 °F)
Storage temperature	4 to 70 °C (40 to 158 °F), 0 to 95% relative humidity, non-condensing
Wetted materials	PEEK or PPS Polyphenylensulfid (PVDF) body, glass process electrode, titanium ground electrode and FKM/FPM O-ring seals <i>Note: The pH sensor with optional HF-resistant glass process electrode has 316 stainless steel ground electrode and perfluoroelastomer wetted O-rings.</i>
Measuring range	pH sensor: -2 to 14 pH ¹ (or 2.00 to 14.00) ORP sensor: -1500 to +1500 mV
Sensor cable	pHD: 5-conductor (plus 2 shields), 6 m (20 ft); LCP: 5-conductor (plus 1 shield), 3 m (10 ft)
Components	Corrosion-resistant materials, fully-submersible
Resolution	pH sensor: ±0.01 pH ORP sensor: ±0.5 mV
Maximum flow rate	3 m/s (10 ft/s) maximum
Pressure limit	6.9 bar at 105 °C (100 psi at 221 °F)
Transmission distance	100 m (328 ft) maximum 1000 m (3280 ft) maximum with a termination box

¹ Most pH applications are in the 2.5 to 12.5 pH range. The pHD Differential pH sensor with the wide-range glass process electrode operates very well in this range. Some industrial applications require accurate measurement and control below 2 or above 12 pH. In these special cases, please contact the manufacturer for further details.

Specification	Details
Temperature element	NTC 300 Ω thermistor for automatic temperature compensation and analyzer temperature readout
Temperature compensation	Automatic from -10 to 105 °C (14.0 to 221 °F) with NTC 300 Ω thermistor, Pt 1000 Ω RTD, or Pt 100 Ω RTD temperature element, or manually fixed at a user-entered temperature
Calibration methods	1- or 2-point automatic or manual
Sensor interface	Modbus RTU from sc digital gateway or pH/ORP module
Certifications	Listed by ETL (US/Canada) for use in Class 1, Division 2, Groups A, B, C, D, Temperature Code T4 - Hazardous Locations with Hach SC Controller. Conforms to: CE, UKCA, FCC, ISED, ACMA, KC, CMIM, NM

Section 3 General information

In no event will the manufacturer be liable for damages resulting from any improper use of product or failure to comply with the instructions in the manual. The manufacturer reserves the right to make changes in this manual and the products it describes at any time, without notice or obligation. Revised editions are found on the manufacturer's website.

3.1 Safety information

The manufacturer is not responsible for any damages due to misapplication or misuse of this product including, without limitation, direct, incidental and consequential damages, and disclaims such damages to the full extent permitted under applicable law. The user is solely responsible to identify critical application risks and install appropriate mechanisms to protect processes during a possible equipment malfunction.

Please read this entire manual before unpacking, setting up or operating this equipment. Pay attention to all danger and caution statements. Failure to do so could result in serious injury to the operator or damage to the equipment.

Make sure that the protection provided by this equipment is not impaired. Do not use or install this equipment in any manner other than that specified in this manual.

3.1.1 Use of hazard information

▲ DANGER

Indicates a potentially or imminently hazardous situation which, if not avoided, will result in death or serious injury.

▲ WARNING

Indicates a potentially or imminently hazardous situation which, if not avoided, could result in death or serious injury.

▲ CAUTION



Indicates a potentially hazardous situation that may result in minor or moderate injury.

NOTICE

Indicates a situation which, if not avoided, may cause damage to the instrument. Information that requires special emphasis.

3.1.2 Precautionary labels

Read all labels and tags attached to the instrument. Personal injury or damage to the instrument could occur if not observed. A symbol on the instrument is referenced in the manual with a precautionary statement.

	<p>This symbol, if noted on the instrument, references the instruction manual for operation and/or safety information.</p>
	<p>Electrical equipment marked with this symbol may not be disposed of in European domestic or public disposal systems. Return old or end-of-life equipment to the manufacturer for disposal at no charge to the user.</p>

3.2 Product overview

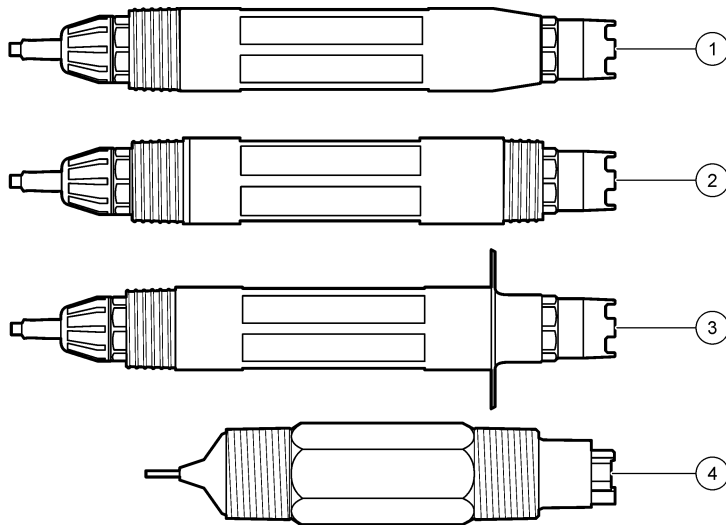
This sensor is designed to work with a controller for data collection and operation. Different controllers can be used with this sensor. This document assumes sensor installation and use with an SC4500 Controller. To use the sensor with other controllers, refer to the user manual for the controller that is used.

Optional equipment, such as mounting hardware for the sensor, is supplied with installation instructions. Several mounting options are available, allowing the sensor to be adapted for use in many different applications.

3.3 Sensor styles

The sensor is available in different styles. Refer to [Figure 1](#).

Figure 1 Sensor styles



<p>1 Insertion—allows removal without stopping the process flow</p>	<p>3 Sanitary—for install in a 2-inch sanitary tee</p>
<p>2 Convertible—for a pipe tee or immersion in an open vessel</p>	<p>4 Convertible—LCP type</p>

Section 4 Installation

4.1 Mounting

▲ WARNING



Explosion hazard. For installation in hazardous (classified) locations, refer to the instructions and control drawings in the controller Class 1, Division 2 documentation. Install the sensor according to local, regional and national codes. Do not connect or disconnect the instrument unless the environment is known to be non-hazardous.

▲ WARNING



Explosion hazard. Make sure that the mounting hardware for the sensor has a temperature and pressure rating sufficient for the mounting location.

▲ CAUTION



Personal injury hazard. Broken glass can cause cuts. Use tools and personal protective equipment to remove broken glass.

NOTICE

The process electrode at the pH sensor tip has a glass bulb, which can break. Do not hit or push on the glass bulb.

NOTICE

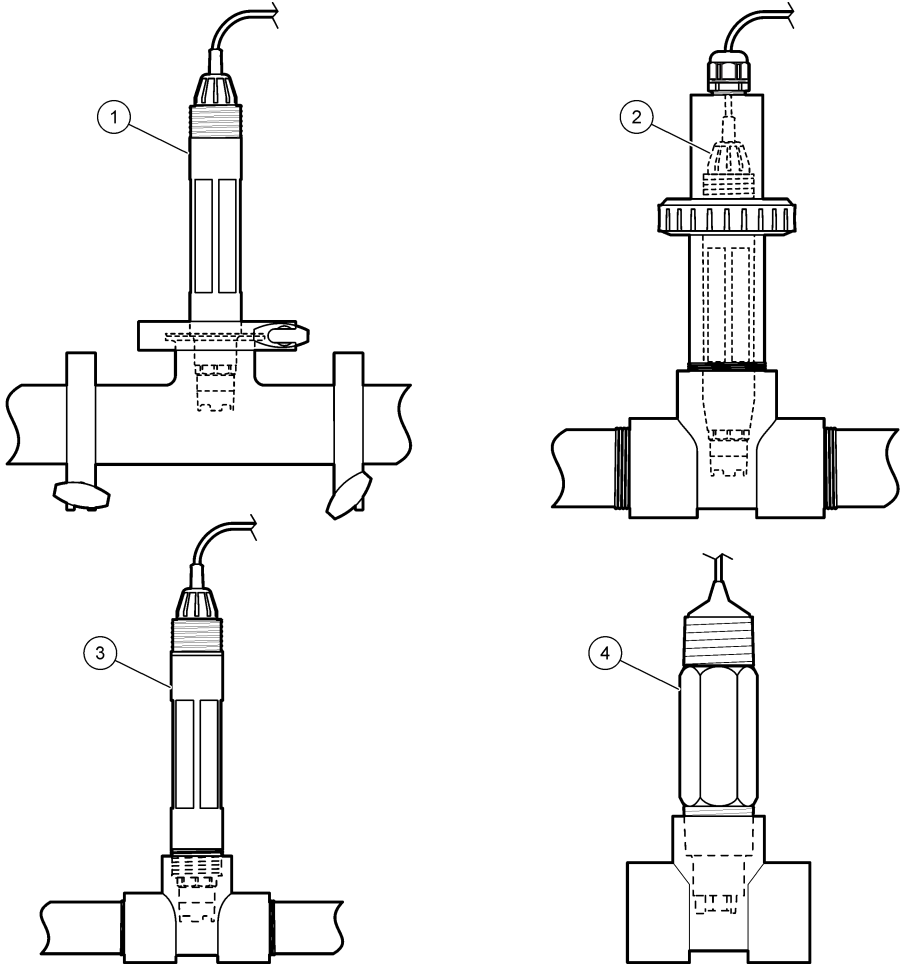
The gold or platinum process electrode at the tip of the ORP sensor has a glass shank (hidden by the salt bridge), which can break. Do not hit or push on the glass shank.

- Install the sensor where the sample that comes into contact with the sensor is representative of the entire process.
- Refer to the expanded user manual on the manufacturer's website for the available mounting hardware.
- Refer to the instructions supplied with the mounting hardware for installation information.
- Install the sensor at least 15° above horizontal.
- For immersion installations, put the sensor at least 508 mm (20 inches) from the aeration basin wall and immerse the sensor at least 508 mm (20 inches) into the process.
- Remove the protective cap before the sensor is put into the process water. Keep the protective cap for future use.
- (Optional) If the process water is near the boiling temperature, add gel powder² to the standard cell solution in the sensor. Refer to step 2 of [Replace the salt bridge](#) on page 16. Do not replace the salt bridge.
- Calibrate the sensor before use.

For examples of sensors in different applications, refer to [Figure 2](#) and [Figure 3](#).

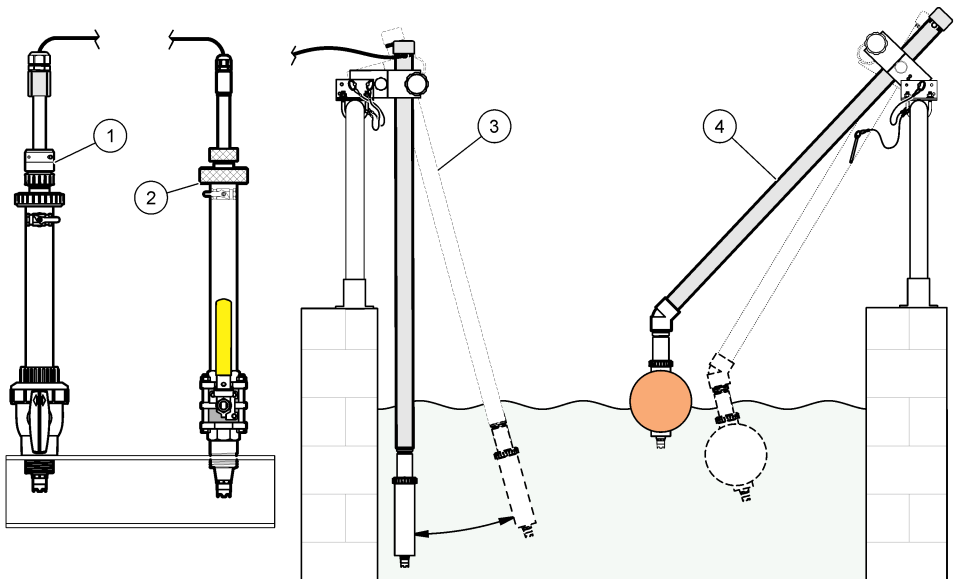
² The gel powder decreases the evaporation rate of the standard cell solution.

Figure 2 Mounting examples (1)



1 Sanitary mount	3 Flow-through mount
2 Union mount	4 Flow-through mount—LCP sensor

Figure 3 Mounting examples (2)



1 PVS insertion mount	3 Immersion mount
2 Insertion mount	4 Immersion mount, ball float

4.2 Connect the sensor to an SC Controller

Use one of the options that follows to connect the sensor to an SC Controller:

- Connect the sensor to an sc digital gateway, then connect the sc digital gateway to the SC Controller. The digital gateway converts the analog signal from the sensor to a digital signal.
- Install a sensor module in the SC Controller. Then, connect the sensor to the sensor module. The sensor module converts the analog signal from the sensor to a digital signal.

Refer to the instructions supplied with the sensor module or sc digital gateway.

Section 5 Operation

5.1 User navigation

Refer to the controller documentation for the touchscreen description and navigation information.

5.2 Configure the sensor

Use the Settings menu to enter identification information for the sensor and to change options for data handling and storage.

1. Select the main menu icon, then select **Devices**. A list of all of the available devices shows.
2. Select the sensor and select **Device menu > Settings**.
3. Select an option.
 - For sensors connected to a pH/ORP module, refer to [Table 1](#).
 - For sensors connected to an sc digital gateway, refer to [Table 2](#).

Table 1 Sensors connected to pH/ORP module

Option	Description
Name	Changes the name that corresponds to the sensor on the top of the measurement screen. The name is limited to 16 characters in any combination of letters, numbers, spaces or punctuation.
Sensor S/N	Lets the user enter the serial number of the sensor. The serial number is limited to 16 characters in any combination of letters, numbers, spaces or punctuation.
Format	For pH sensors only—Changes the number of decimal places that are shown on the measurement screen to XX.XX (default) or XX.X
Temperature	Sets the temperature units to °C (default) or °F.
Temperature element	pH sensors —Sets the temperature element for automatic temperature compensation to PT100, PT1000 or NTC300 (default). If no element is used, the type can be set to Manual and a value for temperature compensation can be entered (default: 25 °C). ORP sensors —Temperature compensation is not used. A temperature element can be connected to the controller to measure temperature.
Filter	Sets a time constant to increase signal stability. The time constant calculates the average value during a specified time—0 (no effect, default) to 60 seconds (average of signal value for 60 seconds). The filter increases the time for the sensor signal to respond to actual changes in the process.
Pure H2O compensation	For pH sensors only—Adds a temperature-dependent correction to the measured pH value for pure water with additives. Options: None (default), Ammonia, Morpholine or User defined. For process temperatures above 50 °C, the correction at 50 °C is used. For user-defined applications, a linear slope (default: 0 pH/°C) can be entered.
ISO point	For pH sensors only—Sets the isopotential point where the pH slope is independent of temperature. Most sensors have an isopotential point of 7.00 pH (default). However, sensors for special applications may have a different isopotential value.
Data logger interval	Sets the time interval for sensor and temperature measurement storage in the data log—5, 30 seconds, 1, 2, 5, 10, 15 (default), 30, 60 minutes.
Reset to default values	Sets the Settings menu to the factory default settings and resets the counters. All sensor information is lost.

Table 2 Sensors connected to sc digital gateway

Option	Description
Name	Changes the name that corresponds to the sensor on the top of the measurement screen. The name is limited to 12 characters in any combination of letters, numbers, spaces or punctuation.
Select sensor	Selects the type of sensor (pH or ORP).
Format	Refer to Table 1 .

Table 2 Sensors connected to sc digital gateway (continued)

Option	Description
Temperature	Refer to Table 1 .
Data logger interval	Sets the time interval for sensor and temperature measurement storage in the data log—5, 10, 15, 30 seconds, 1, 5, 10, 15 (default), 30 minutes, 1, 2, 6, 12 hours.
Alternating current frequency	Selects the power line frequency to get the best noise rejection. Options: 50 or 60 Hz (default).
Filter	Refer to Table 1 .
Temperature element	Refer to Table 1 .
Select standard buffer	For pH sensors only—Sets the pH buffers used for auto correction calibration. Options: 4.00, 7.00, 10.00 (default set) or DIN 19267 (pH 1.09, 4.65, 6.79, 9.23, 12.75) Note: Other buffers can be used if the 1-or 2-point manual correction is selected for calibration.
Pure H2O compensation	Refer to Table 1 . 1-,2-,3- or 4-point matrix correction can also be selected. The 1-,2-,3- or 4-point matrix correction are compensation methods pre-programmed in the firmware.
Last calibration	Sets a reminder for the next calibration (default: 60 days). A reminder to calibrate the sensor shows on the display after the selected interval from the date of the last calibration. For example, if the date of the last calibration was June 15 and Last calibration is set to 60 days, a calibration reminder shows on the display on August 14. If the sensor is calibrated before August 14, on July 15, a calibration reminder shows on the display on September 13.
Sensor days	Sets a reminder for sensor replacement (default: 365 days). A reminder to replace the sensor shows on the display after the selected interval. The Sensor days counter shows on the Diagnostics/Test > Counter menu. When the sensor is replaced, reset the Sensor days counter on the Diagnostics/Test > Counter menu.
Impedance limits	Sets the low and high impedance limits for the Active electrode and Reference electrode.
Reset setup	Sets the Settings menu to the factory default settings and resets the counters. All sensor information is lost.

5.3 Calibrate the sensor

▲ WARNING



Fluid pressure hazard. Removal of a sensor from a pressurized vessel can be dangerous. Reduce the process pressure to below 7.25 psi (50 kPa) before removal. If this is not possible, use extreme caution. Refer to the documentation supplied with the mounting hardware for more information.

▲ WARNING



Chemical exposure hazard. Obey laboratory safety procedures and wear all of the personal protective equipment appropriate to the chemicals that are handled. Refer to the current safety data sheets (MSDS/SDS) for safety protocols.

▲ CAUTION



Chemical exposure hazard. Dispose of chemicals and wastes in accordance with local, regional and national regulations.

5.3.1 About sensor calibration

Calibration adjusts the sensor reading to match the value of one or more reference solutions. The sensor characteristics slowly shift over time and cause the sensor to lose accuracy. The sensor must be calibrated regularly to maintain accuracy. The calibration frequency varies with the application and is best determined by experience.

A temperature element is used to provide pH readings that are automatically adjusted to 25 °C for temperature changes that affect the active and reference electrode. This adjustment can be manually set by the customer if the process temperature is constant.

During calibration, data is not sent to the datalog. Thus, the datalog can have areas where the data is intermittent.

5.3.2 Change calibration options

For sensors connected to a pH/ORP module, the user can set a reminder or include an operator ID with calibration data from the Calibration options menu.

Note: *This procedure is not applicable to sensors connected to an sc digital gateway.*

1. Select the main menu icon, then select **Devices**. A list of all of the available devices shows.
2. Select the sensor and select **Device menu > Calibration**.
3. Select **Calibration options**.
4. Select an option.

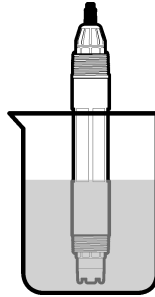
Option	Description
Select standard buffer	For pH sensors only—Sets the pH buffers used for auto correction calibration. Options: 4.00, 7.00, 10.00 (default set), DIN 19267 (pH 1.09, 4.65, 6.79, 9.23, 12.75) or NIST 4.00, 6.00, 9.00 Note: <i>Other buffers can be used if the 1-or 2-point value calibration is selected for calibration.</i>
Calibration reminder	Sets a reminder for the next calibration (default: Off). A reminder to calibrate the sensor shows on the display after the selected interval from the date of the last calibration. For example, if the date of the last calibration was June 15 and Last calibration is set to 60 days, a calibration reminder shows on the display on August 14. If the sensor is calibrated before August 14, on July 15, a calibration reminder shows on the display on September 13.
Operator ID for calibration	Includes an operator ID with calibration data—Yes or No (default). The ID is entered during the calibration.

5.3.3 pH calibration procedure

Calibrate the pH sensor with one or two reference solutions (1-point or 2-point calibration). Standard buffers are automatically recognized.

1. Put the sensor in the first reference solution (a buffer or sample of known value). Make sure that the sensor portion of the probe is fully immersed in the liquid ([Figure 4](#)).

Figure 4 Sensor in reference solution



2. Wait for the sensor and solution temperature to equalize. This can take 30 minutes or more if the temperature difference between the process and reference solution is significant.
3. Select the main menu icon, then select **Devices**. A list of all of the available devices shows.
4. Select the sensor and select **Device menu > Calibration**.
5. Select the type of calibration:

Option	Description
1-point buffer calibration (or 1-point auto correction)	Use one buffer for calibration (e.g., pH 7). The sensor automatically identifies the buffer during calibration. Note: Make sure to select the buffer set in the Calibration > Calibration options > Select standard buffer menu (or Settings > Select standard buffer menu).
2-point buffer calibration (or 2-point auto correction)	Use two buffers for calibration (e.g., pH 7 and pH 4). The sensor automatically identifies the buffers during calibration. Note: Make sure to select the buffer set in the Calibration > Calibration options > Select standard buffer menu (or Settings > Select standard buffer menu).
1-point value calibration (or 1-point manual correction)	Use one sample of a known value (or one buffer) for calibration. Determine the pH value of the sample with a different instrument. Enter the pH value during calibration.
2-point value calibration (or 2-point manual correction)	Use two samples of known value (or two buffers) for calibration. Determine the pH value of the samples with a different instrument. Enter the pH values during calibration.

6. Select the option for the output signal during calibration:

Option	Description
Active	The instrument sends the current measured output value during the calibration procedure.
Hold	The sensor output value is held at the current measured value during the calibration procedure.
Transfer	A preset output value is sent during calibration. Refer to the controller user manual to change the preset value.

7. With the sensor in the first reference solution, push OK. The measured value is shown.
8. Wait for the value to stabilize and push OK.
Note: The screen may advance to the next step automatically.
9. If applicable, enter the pH value and push OK.
Note: If the reference solution is a buffer, find the pH value on the buffer bottle for the temperature of the buffer. If the reference solution is a sample, determine the pH value of the sample with a different instrument.
10. For a 2-point calibration, measure the second reference solution as follows:
 - a. Remove the sensor from the first solution and rinse with clean water.
 - b. Put the sensor in the next reference solution, then push OK.

c. Wait for the value to stabilize and push OK.

Note: The screen may advance to the next step automatically.

d. If applicable, enter the pH value and push OK.

11. Review the calibration result:

- "The calibration was successfully completed."—The sensor is calibrated and ready to measure samples. The slope and/or offset values are shown.
- "The calibration failed." —The calibration slope or offset is outside of accepted limits. Repeat the calibration with fresh reference solutions. Clean the sensor if necessary.

12. Push OK.

13. Return the sensor to the process and push OK.

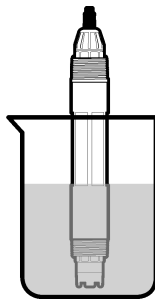
The output signal returns to the active state and the measured sample value is shown on the measurement screen.

5.3.4 ORP calibration procedure

Calibrate the ORP sensor with one reference solution (1-point calibration).

1. Put the sensor in the reference solution (a reference solution or sample of known value). Make sure that the sensor portion of the probe is fully immersed in the solution ([Figure 5](#)).

Figure 5 Sensor in reference solution



2. Select the main menu icon, then select **Devices**. A list of all of the available devices shows.
3. Select the sensor and select **Device menu > Calibration**.
4. Select **1-point value calibration** (or **1-point manual correction**).
5. Select the option for the output signal during calibration:

Option	Description
Active	The instrument sends the current measured output value during the calibration procedure.
Hold	The sensor output value is held at the current measured value during the calibration procedure.
Transfer	A preset output value is sent during calibration. Refer to the controller user manual to change the preset value.

6. With the sensor in the reference solution or sample, push OK.
The measured value is shown.

7. Wait for the value to stabilize and push OK.

Note: The screen may advance to the next step automatically.

8. If a sample is used for calibration, measure the ORP value of the sample with a secondary verification instrument. Enter the measured value, then push OK.
9. If a reference solution is used for calibration, enter the ORP value marked on the bottle. Push OK.

10. Review the calibration result:

- "The calibration was successfully completed."—The sensor is calibrated and ready to measure samples. The slope and/or offset values are shown.
- "The calibration failed." —The calibration slope or offset is outside of accepted limits. Repeat the calibration with fresh reference solutions. Clean the sensor if necessary.

11. Push OK.

12. Return the sensor to the process and push OK.

The output signal returns to the active state and the measured sample value is shown on the measurement screen.

5.3.5 Temperature calibration

The instrument is calibrated at the factory for accurate temperature measurement. The temperature can be calibrated to increase accuracy.

1. Put the sensor in a container of water.
2. Measure the temperature of the water with an accurate thermometer or independent instrument.
3. Select the main menu icon, then select **Devices**. A list of all of the available devices shows.
4. Select the sensor and select **Device menu > Calibration**.
5. For sensors connected to a pH/ORP module, do the steps that follow:
 - a. Select **1-point temperature calibration**.
 - b. Wait for the value to stabilize, then push OK.
 - c. Enter the exact value and push OK.
6. For sensors connected to an sc digital gateway, do the steps that follow:
 - a. Select **Temperature adjustment**.
 - b. Wait for the value to stabilize, then push OK.
 - c. Select **Edit Temperature**.
 - d. Enter the exact value and push OK.
7. Return the sensor to the process and push the home icon.

5.3.6 Exit calibration procedure

1. To exit a calibration, push the back icon.
2. Select an option, then push OK.

Option	Description
Quit calibration (or Cancel)	Stop the calibration. A new calibration must start from the beginning.
Return to calibration	Return to the calibration.
Leave calibration (or Exit)	Exit the calibration temporarily. Access to other menus is allowed. A calibration for a second sensor (if present) can be started.

5.3.7 Reset the calibration

The calibration can be reset to the factory default settings. All sensor information is lost.

1. Select the main menu icon, then select **Devices**. A list of all of the available devices shows.
2. Select the sensor and select **Device menu > Calibration**.
3. Select **Reset to default calibration values (or Reset setup)**, then push OK.
4. Push OK again.

5.4 Impedance measurements

To increase the reliability of the pH measurement system, the controller determines the impedance of the glass electrodes. This measurement is taken every minute. During diagnostics, the pH measurement reading will be on hold for five seconds. If an error message appears, refer to [Error list](#) on page 20 for more details.

To enable or disable the sensor impedance measurement:

1. Select the main menu icon, then select **Devices**. A list of all of the available devices shows.
2. Select the device and select **Device menu > Diagnostics/Test**.
3. For sensors connected to a pH/ORP module, select **Impedance status**.
4. For sensors connected to an sc digital gateway, select **Signals > Impedance status**.
5. Select **Enabled** or **Disabled** and push OK.

To see the active and reference electrode impedance readings, select **Sensor signals** (or **Signals**) and push OK.

5.5 Modbus registers

A list of Modbus registers is available for network communication. Refer to the manufacturer's website for more information.

Section 6 Maintenance

⚠ WARNING



Multiple hazards. Only qualified personnel must conduct the tasks described in this section of the document.

⚠ WARNING



Explosion hazard. Do not connect or disconnect the instrument unless the environment is known to be non-hazardous. Refer to the controller Class 1, Division 2 documentation for hazardous location instructions.

⚠ WARNING



Fluid pressure hazard. Removal of a sensor from a pressurized vessel can be dangerous. Reduce the process pressure to below 7.25 psi (50 kPa) before removal. If this is not possible, use extreme caution. Refer to the documentation supplied with the mounting hardware for more information.

⚠ WARNING



Chemical exposure hazard. Obey laboratory safety procedures and wear all of the personal protective equipment appropriate to the chemicals that are handled. Refer to the current safety data sheets (MSDS/SDS) for safety protocols.

⚠ CAUTION



Chemical exposure hazard. Dispose of chemicals and wastes in accordance with local, regional and national regulations.

6.1 Maintenance schedule

Table 3 shows the recommended schedule of maintenance tasks. Facility requirements and operating conditions may increase the frequency of some tasks.

Table 3 Maintenance schedule

Maintenance task	1 year	As necessary
Clean the sensor on page 16		X
Replace the salt bridge on page 16	X	
Calibrate the sensor on page 10	Set by regulatory agencies or experience	

6.2 Clean the sensor

Pre-requisite: Prepare a mild soap solution with a non-abrasive dishwashing detergent that does not contain lanolin. Lanolin leaves a film on the electrode surface that can degrade the sensor performance.

Examine the sensor periodically for debris and deposits. Clean the sensor when there is a buildup of deposits or when performance has degraded.

1. Use a clean, soft cloth to remove loose debris from the end of the sensor. Rinse the sensor with clean, warm water.
2. Soak the sensor for 2 to 3 minutes in the soap solution.
3. Use a soft bristle brush to scrub the entire measuring end of the sensor.
4. If debris remains, soak the measuring end of the sensor in a dilute acid solution such as < 5% HCl for a maximum of 5 minutes.
5. Rinse the sensor with water and then return to the soap solution for 2 to 3 minutes.
6. Rinse the sensor with clean water.

Note: Sensors with antimony electrodes for HF applications may require additional cleaning. Contact technical support.

Always calibrate the sensor after maintenance procedures are done.

6.3 Replace the salt bridge

Replace the salt bridge and the standard cell solution at 1 year intervals or when calibration fails after the sensor has been cleaned.

Note: A video that shows how to replace the salt bridge is available on www.Hach.com. Go to the salt bridge webpage and click the Video tab.

Items to collect:

- Adjustable crescent wrench
- Large tweezers
- Salt bridge
- Standard cell solution
- Gel powder³, 1/8 teaspoon

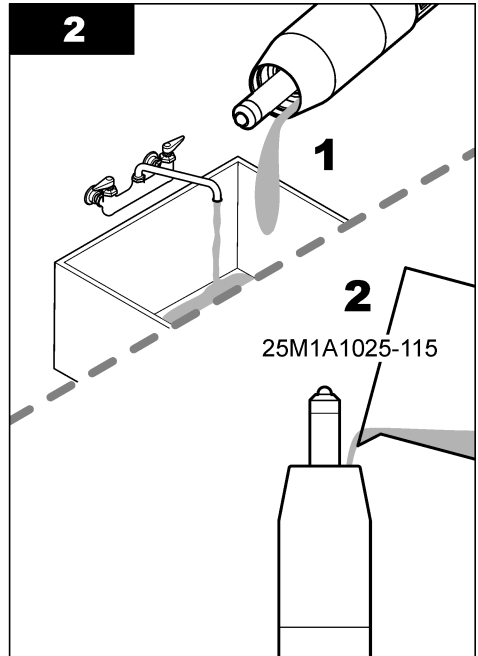
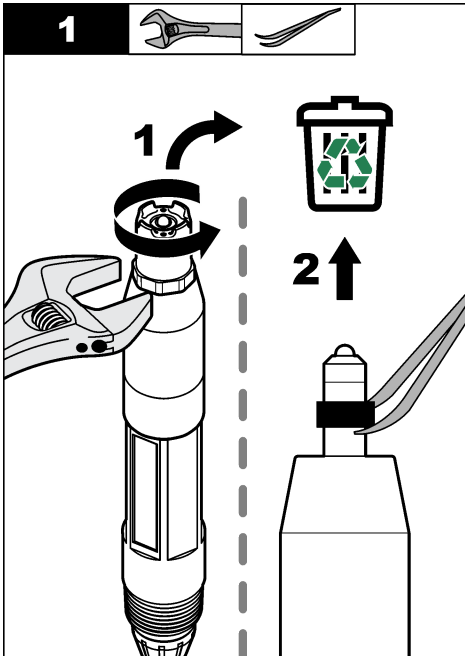
1. Clean the sensor. Refer to [Clean the sensor](#) on page 16.
2. Replace the salt bridge and the standard cell solution. Refer to the illustrated steps that follow.
If the reservoir for the standard cell solution contains a gel (not usual), use a jet of water from a water pik-type device to remove the old gel at illustrated step 2.

³ (Optional) Add gel powder to the standard cell solution if the process water is near the boiling temperature. The gel powder decreases the evaporation rate of the standard cell solution.

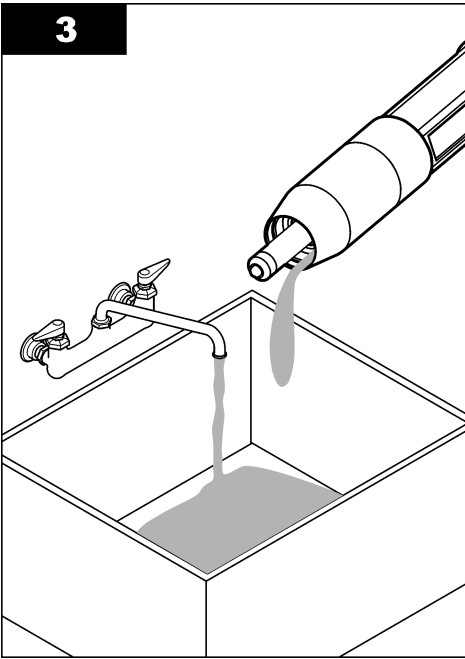
(Optional) If the process water is near the boiling temperature, add gel powder to the new standard cell solution at illustrated step 4 as follows:

- a. Pour 1 level bottle cap ($\frac{1}{8}$ teaspoon) of gel powder into the reservoir for the standard cell solution.
- b. Pour a small amount of fresh standard cell solution into the reservoir.
- c. Mix with the powder until the solution becomes thick.
- d. Add small amounts of solution and mix until the gel level is at the bottom of the salt bridge threads.
- e. Check for proper gel level by installing and removing the new salt bridge. A salt bridge impression should remain on the gel surface.

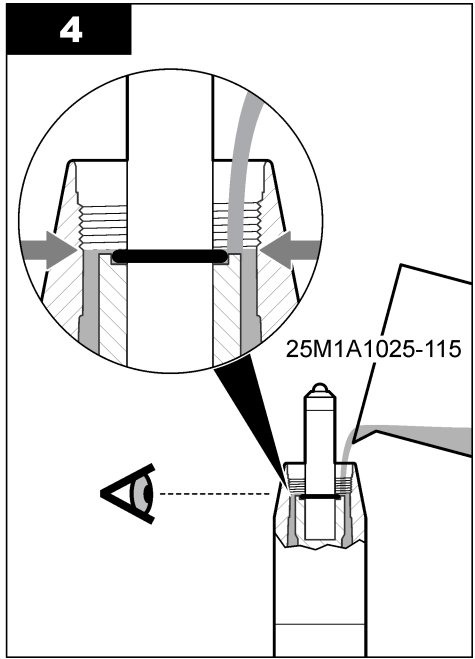
3. Calibrate the sensor.



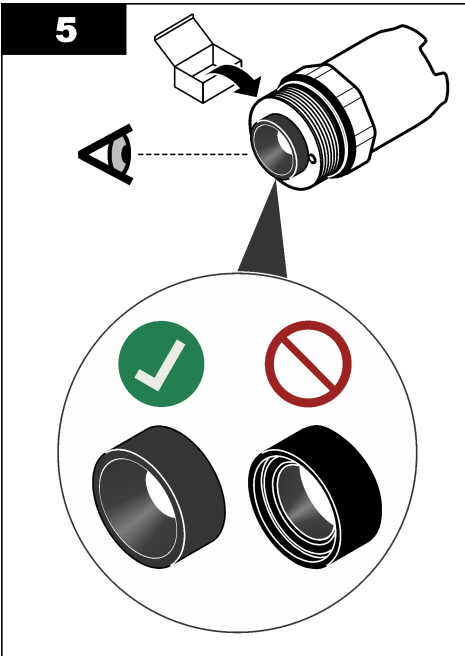
3



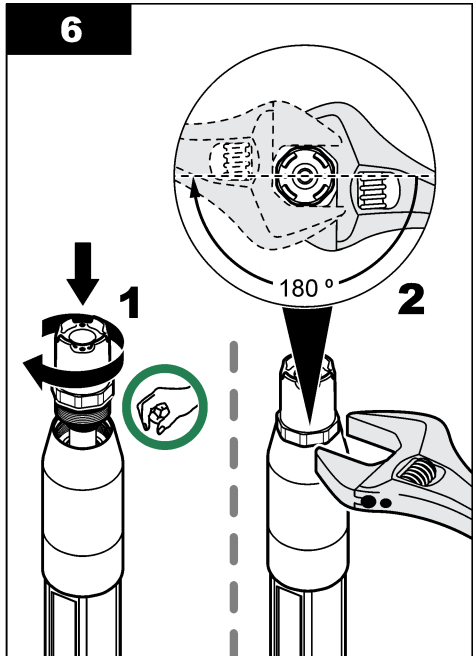
4



5



6



6.4 Prepare for storage

For short-term storage (when the sensor is out of the process for more than one hour), fill the protective cap with pH 4 buffer or distilled water and put the cap back on the sensor. Keep the process electrode and reference junction salt bridge moist to avoid slow response when the sensor is returned to operation.

For extended storage, repeat the short-term storage procedure every 2 to 4 weeks, depending on the environmental conditions. Refer to [Specifications](#) on page 3 for temperature storage limits.

Section 7 Troubleshooting

7.1 Intermittent data

During calibration, data is not sent to the datalog. Thus, the datalog can have areas where the data is intermittent.

7.2 Test the pH sensor

Pre-requisites: Two pH buffers and a multimeter.

If a calibration fails, first complete the maintenance procedures in [Maintenance](#) on page 15.

1. Put the sensor in a pH 7 buffer solution and wait for the temperature of the sensor and buffer to reach room temperature.
2. Disconnect the red, green, yellow and black sensor wires from the module or digital gateway.
3. Measure the resistance between the yellow and black wires to verify the operation of the temperature element. The resistance should be between 250 and 350 ohms at approximately 25 °C.
If the temperature element is good, reconnect the yellow and black wires to the module.
4. Measure the DC mV with the multimeter (+) lead connected to the red wire and the (-) lead connected to the green wire. The reading should be between -50 and + 50 mV.
If the reading is outside of these limits, clean the sensor and change the salt bridge and standard cell solution.
5. With the multimeter still connected the same way, rinse the sensor with water and put it in a pH 4 or pH 10 buffer solution. Wait for the temperature of the sensor and buffer to reach room temperature.
6. Compare the mV reading in the pH 4 or 10 buffer to the reading in the pH 7 buffer. The reading should differ by approximately 160 mV.
If the difference is less than 160 mV, call technical support.

7.3 Test the ORP sensor

Pre-requisites: 200 mV ORP reference solution, multimeter.

If a calibration fails, first complete the maintenance procedures in [Maintenance](#) on page 15.

1. Put the sensor in a 200 mV reference solution and wait for the temperature of the sensor and solution to reach room temperature.
2. Disconnect the red, green, yellow and black sensor wires from the module or digital gateway.
3. Measure the resistance between the yellow and black wires to verify the operation of the temperature element. The resistance should be between 250 and 350 ohms at approximately 25 °C.
If the temperature element is good, reconnect the yellow and black wires to the module.
4. Measure the DC mV with the multimeter (+) lead connected to the red wire and the (-) lead connected to the green wire. The reading should be between 160 and 240 mV.
If the reading is outside of these limits, call technical support.

7.4 Diagnostics/Test menu

The Diagnostics/Test menu shows current and historical information about the sensor. Refer to [Table 4](#). Push the main menu icon, then select **Devices**. Select the device and select **Device menu** > **Diagnostics/Test**.

Table 4 Diagnostics/Test menu

Option	Description
Module information	For sensors connected to a pH/ORP module only—Shows the version and the serial number for the sensor module.
Sensor information	For sensors connected to a pH/ORP module—Shows the sensor name and the serial number entered by the user. For sensors connected to an sc digital gateway—Shows the sensor model number, and the sensor name entered by the user and the sensor serial number. Shows the software version and driver version installed.
Last calibration	For sensors connected to a pH/ORP module only—Shows the number of days since the last calibration was done.
Calibration history	For sensors connected to a pH/ORP module—Shows the calibration slope and date of the previous calibrations. For sensors connected to an sc digital gateway—Shows the calibration slope and date of the last calibration.
Reset calibration history	For sensors connected to a pH/ORP module only—For service use only
Impedance status	For pH sensors only—Refer to Impedance measurements on page 15.
Sensor signals (or Signals)	For pH sensors connected to a pH/ORP module only—Shows the current reading in mV. For pH sensors connected to an sc digital gateway—Shows the current reading in mV and the analog to digital converter counters. If Impedance status is set to Enabled, shows the active and reference electrode impedances.
Sensor days (or Counter)	For sensors connected to a pH/ORP module—Shows the number of days that the sensor has been in operation. For sensors connected to an sc digital gateway—Shows the number of days that the sensor and electrode(s) have been in operation. The Electrode days counter is reset to zero when the firmware identifies that a defective electrode has been replaced with an electrode that operates correctly. To reset the Sensor days counter to zero, select Reset . Reset the Sensor days counter when the sensor (or salt bridge) is replaced.

7.5 Error list

When an error occurs, the reading on the measurement screen flashes and all outputs are held when specified in the Controller > Outputs menu. The screen changes to red. The diagnostics bar shows the error. Push on the diagnostic bar to show the errors and warnings. As an alternative, push the main menu icon, then select **Notifications** > **Errors**.

A list of possible errors is shown in [Table 5](#).

Table 5 Error list

Error	Description	Resolution
pH value is too high!	The measured pH is > 14.	Calibrate or replace the sensor.
ORP value is too high!	The measured ORP value is > 2100 mV.	

Table 5 Error list (continued)

Error	Description	Resolution
pH value is too low!	The measured pH is < 0.	Calibrate or replace the sensor.
ORP value is too low!	The measured ORP value is < -2100 mV.	
Offset value is too high.	The offset is > 9 (pH) or 200 mV (ORP).	Follow the maintenance procedures for the sensor and then repeat the calibration, or replace the sensor.
Offset value is too low.	The offset is < 5 (pH) or -200 mV (ORP).	
Slope is too high.	The slope is > 62 (pH)/1.3 (ORP).	Repeat the calibration with a fresh buffer or sample, or replace the sensor.
Slope is too low.	The slope is < 50 (pH)/0.7 (ORP).	Clean the sensor, then repeat the calibration, or replace the sensor.
Temperature is too high!	The measured temperature is >130 °C.	Make sure that the correct temperature element is selected.
Temperature is too low!	The measured temperature is < -10 °C.	
The difference between the buffers is too small!	The buffers for 2-point auto correction have the same value.	Complete the steps in Test the pH sensor on page 19.
Sensor is missing.	The sensor is missing or disconnected.	Examine the wiring and connections for the sensor and for the module (or digital gateway).
Temperature sensor is missing!	The temperature sensor is missing.	Examine the wiring for the temperature sensor. Make sure that the correct temperature element is selected.
Glass impedance is too low.	The glass bulb is broken or reached end of life.	Replace the sensor. Contact technical support.

7.6 Warning list

A warning does not affect the operation of menus, relays and outputs. The screen changes to an amber color. The diagnostics bar shows the warning. Push on the diagnostic bar to show the errors and warnings. As an alternative, push the main menu icon, then select **Notifications > Warnings**.

A list of possible warnings is shown in [Table 6](#).

Table 6 Warning list

Warning	Description	Resolution
pH is too high.	The measured pH is > 13.	Calibrate or replace the sensor.
ORP value is too high.	The measured ORP value is > 2100 mV.	
pH is too low.	The measured pH is < 1.	Calibrate or replace the sensor.
ORP value is too low.	The measured ORP value is < -2100 mV.	
Offset value is too high.	The offset is > 8 (pH) or 200 mV (ORP).	Follow the maintenance procedures for the sensor and then repeat the calibration.
Offset value is too low.	The offset is < 6 (pH) or -200 mV (ORP).	
Slope is too high.	The slope is > 60 (pH)/1.3 (ORP).	Repeat the calibration with a fresh buffer or sample.
Slope is too low.	The slope is < 54 (pH)/0.7 (ORP).	Clean the sensor, then repeat the calibration.

Table 6 Warning list (continued)

Warning	Description	Resolution
Temperature is too high.	The measured temperature is > 100 °C.	Make sure the right temperature element is used.
Temperature is too low.	The measured temperature is < 0 °C.	
Temperature is out of range.	The measured temperature is > 100 °C or < 0 °C.	
Calibration is overdue.	The Cal Reminder time has expired.	Calibrate the sensor.
The device is not calibrated.	The sensor has not been calibrated.	Calibrate the sensor.
Replace a sensor.	The Sensor days counter is more than the interval selected for sensor replacement. Refer to Configure the sensor on page 8.	Replace the sensor (or salt bridge). Reset the Sensor days counter on the Diagnostics/Test > Reset menu (or Diagnostics/Test > Counter menu.
Calibration is in progress...	A calibration was started but not completed.	Return to calibration.
Temperature is not calibrated.	The temperature sensor is not calibrated.	Do a temperature calibration.

Table des matières

- 1 Informations supplémentaires à la page 23
- 2 Caractéristiques à la page 23
- 3 Généralités à la page 24
- 4 Installation à la page 26
- 5 Fonctionnement à la page 28
- 6 Maintenance à la page 36
- 7 Dépannage à la page 39

Section 1 Informations supplémentaires

Un manuel d'utilisation plus détaillé est disponible sur le site Web du fabricant.

Section 2 Caractéristiques

Ces caractéristiques sont susceptibles d'être modifiées sans avis préalable.

Le produit ne possède que les homologations mentionnées et les enregistrements, certificats et déclarations officiellement fournis avec le produit. L'utilisation de ce produit dans une application pour laquelle il n'est pas autorisé n'est pas approuvée par le fabricant.

Caractéristiques	Détails
Dimensions (longueur/diamètre)	pHD : 271 mm (10,7 po)/35 mm (1,4 po) ; 1 po NPT ; LCP (polymère à cristaux liquides) : 187 mm (7,35 po)/51 mm (2 po) ; 1-½ po NPT
Poids	316 g (11 oz.)
Niveau de pollution	2
Catégorie de surtension	I
Classe de protection	III
Altitude	2 000 m (6 562 pieds) maximum
Température de fonctionnement	5 à 105 °C (23 à 221 °F)
Température de stockage	4 à 70 °C (40 à 158 °F), 0 à 95 % d'humidité relative sans condensation
Matériaux immergés	Corps en PEEK ou sulfure de polyphénylène (PPS) (PVDF), électrode de processus en verre, électrode de masse en titane et joints toriques FKM/FPM <i>Remarque : Le capteur de pH avec électrode de processus en verre à résistance HF est doté d'une électrode de masse en acier inoxydable 316 et de joints toriques mouillés en perfluoroélastomère.</i>
Plage de mesures	Capteur de pH : -2 à 14 pH ¹ (ou 2 à 14) Capteur ORP : -1 500 à +1 500 mV
Câble du capteur	pHD : 5 conducteurs (plus 2 écrans), 6 m (20 pi) ; LCP : 5 conducteurs (plus 1 écran), 3 m (10 pi)
Composants	Matériaux résistant à la corrosion, totalement immergeable
Résolution	Capteur de pH : ±0,01 pH Capteur ORP : ±0,5 mV
Débit maximal	3 m/s (10 pi/s) maximum
Limite de pression	6,9 bars à 105 °C (100 psi à 221 °F)

¹ La plupart des applications pH sont comprises dans la plage de 2,5 à 12,5 pH. Le capteur de pH différentiel pHD avec l'électrode de processus en verre fonctionne parfaitement dans cette plage. Certaines applications industrielles requièrent une mesure et un contrôle exacts inférieur à 2 ou supérieur 12 pH. Dans ces cas particuliers, veuillez contacter le fabricant pour plus de détails.

Caractéristiques	Détails
Distance de transmission	100 m (328 pi) maximum 1 000 m (3 280 pi) maximum avec un boîtier de jonction
Élément de température	Thermistance CTN 300 Ω pour compensation automatique de la température et affichage du résultat de la température de l'analyseur
Compensation en température	Automatique entre -10 et 105 °C (14,0 et 221 °F) avec thermistance CTN 300, élément de température Pt 1 000 Ω RTD ou Pt 100 Ω RTD ou manuellement définie par l'utilisateur
Méthodes d'étalonnage	1 ou 2 points manuel ou automatique
Interface capteur	Modbus RTU à partir de la passerelle numérique sc ou du module pH/ORP
Certifications	Listé ETL (États-Unis/Canada) pour une utilisation dans les zones dangereuses classe 1, division 2, groupes A, B, C, D, code de température T4 avec un contrôleur SC Hach. Conformité : CE, UKCA, FCC, ISED, ACMA, KC, CMIM, NM

Section 3 Généralités

En aucun cas le fabricant ne pourra être tenu responsable des dommages résultant d'une utilisation incorrecte du produit ou du non-respect des instructions du manuel. Le constructeur se réserve le droit d'apporter des modifications à ce manuel et aux produits décrits, à tout moment, sans avertissement ni obligation. Les éditions révisées se trouvent sur le site Internet du fabricant.

3.1 Consignes de sécurité

Le fabricant décline toute responsabilité quant aux dégâts liés à une application ou un usage inappropriés de ce produit, y compris, sans toutefois s'y limiter, des dommages directs ou indirects, ainsi que des dommages consécutifs, et rejette toute responsabilité quant à ces dommages dans la mesure où la loi applicable le permet. L'utilisateur est seul responsable de la vérification des risques d'application critiques et de la mise en place de mécanismes de protection des processus en cas de défaillance de l'équipement.

Veuillez lire l'ensemble du manuel avant le déballage, la configuration ou la mise en fonctionnement de cet appareil. Respectez toutes les déclarations de prudence et d'attention. Le non-respect de cette procédure peut conduire à des blessures graves de l'opérateur ou à des dégâts sur le matériel.

Assurez-vous que la protection fournie avec cet appareil n'est pas défaillante. N'utilisez ni n'installez cet appareil d'une façon différente de celle décrite dans ce manuel.

3.1.1 Informations sur les risques d'utilisation

▲ DANGER

Indique une situation de danger potentiel ou imminent qui, si elle n'est pas évitée, entraîne des blessures graves, voire mortelles.

▲ AVERTISSEMENT

Indique une situation de danger potentiel ou imminent qui, si elle n'est pas évitée, peut entraîner des blessures graves, voire mortelles.

▲ ATTENTION



Indique une situation de danger potentiel qui peut entraîner des blessures mineures ou légères.

AVIS

Indique une situation qui, si elle n'est pas évitée, peut occasionner l'endommagement du matériel. Informations nécessitant une attention particulière.

3.1.2 Étiquettes de mise en garde

Lisez toutes les informations et toutes les étiquettes apposées sur l'appareil. Des personnes peuvent se blesser et le matériel peut être endommagé si ces instructions ne sont pas respectées. Tout symbole sur l'appareil renvoie à une instruction de mise en garde dans le manuel.

	Si l'appareil comporte ce symbole, reportez-vous au manuel d'instructions pour consulter les informations de fonctionnement et de sécurité.
	Le matériel électrique portant ce symbole ne doit pas être mis au rebut dans les réseaux domestiques ou publics européens. Retournez le matériel usé ou en fin de vie au fabricant pour une mise au rebut sans frais pour l'utilisateur.

3.2 Présentation du produit

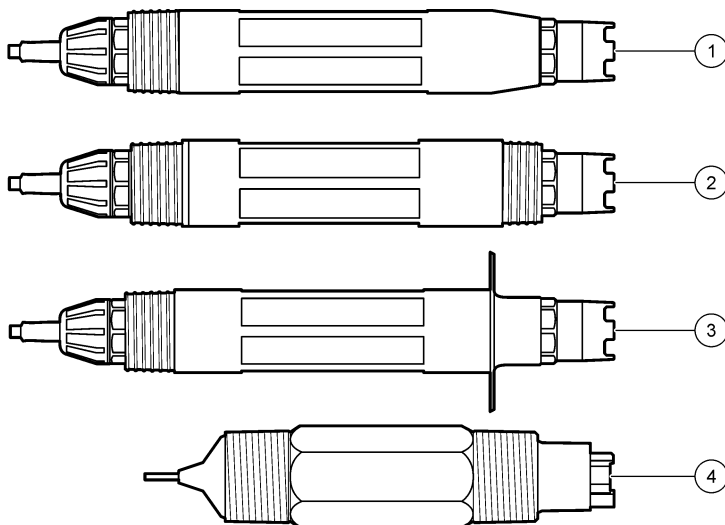
Ce capteur est conçu pour fonctionner avec un contrôleur assurant la collecte de données et le fonctionnement. Différents contrôleurs peuvent être utilisés avec ce capteur. Ce document suppose une installation et une utilisation du capteur avec un contrôleur SC4500. Pour utiliser le capteur avec d'autres contrôleurs, consulter le manuel d'utilisateur du contrôleur utilisé.

L'équipement en option, comme le matériel de fixation du capteur, est fourni avec les instructions d'installation. Plusieurs options de fixation sont disponibles, ce qui permet d'adapter le capteur pour de nombreuses applications différentes.

3.3 Types de capteur

Le capteur est disponible en différents types. Reportez-vous au [Figure 1](#).

Figure 1 Types de capteur



1 Insertion — autorise la dépose sans arrêter le débit de processus	3 Sanitaire : pour une installation dans un té sanitaire de 2 pouces
2 Convertible — pour un té de processus ou immersion dans un récipient ouvert	4 Convertible — type LCP

Section 4 Installation

4.1 Montage

⚠ AVERTISSEMENT



Risque d'explosion. Pour les installations dans les zones dangereuses (classées), reportez-vous aux instructions et aux schémas de contrôle dans la documentation du contrôleur classe 1, division 2. Installez le capteur conformément aux codes locaux, régionaux et nationaux. Ne connectez ou ne déconnectez pas l'instrument si l'environnement n'est pas connu pour être non dangereux.

⚠ AVERTISSEMENT



Risque d'explosion. S'assurer que le matériel de montage du capteur présente une température et une pression nominales suffisantes pour l'emplacement de montage.

⚠ ATTENTION



Risque de blessures corporelles. Le verre brisé peut provoquer de coupures. Utilisez des outils et un équipement de protection personnel pour retirer le verre brisé.

AVIS

L'électrode du processus située au bout du capteur de pH se compose d'une bulle de verre susceptible de casser. Ne pas frapper ou pousser l'ampoule en verre.

AVIS

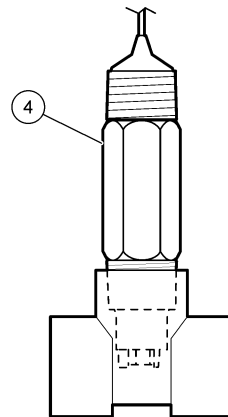
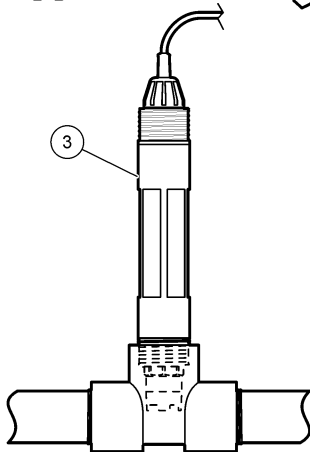
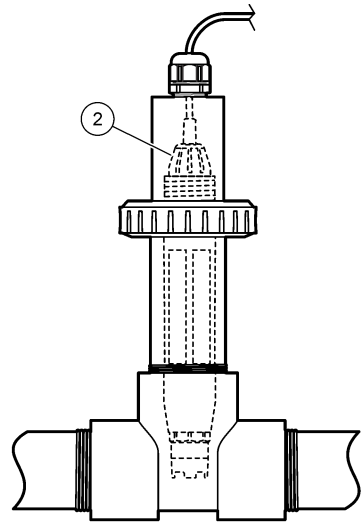
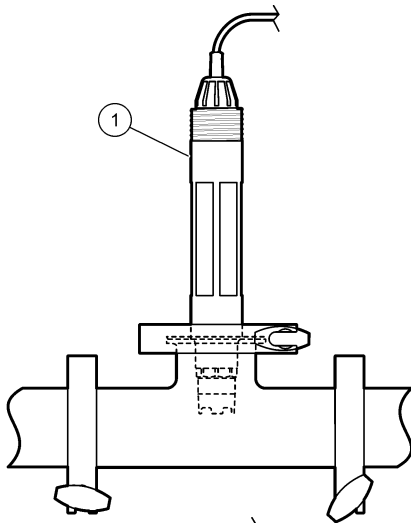
L'électrode du processus or ou platine à l'extrémité du capteur ORP est dotée d'une tige en verre (masquée par le pont salin), qui peut se casser. Ne pas frapper ou pousser la tige en verre.

- Installer le capteur à un emplacement où l'échantillon qui entre en contact avec le capteur est représentatif de l'intégralité du processus.
- Refer to the expanded user manual on the manufacturer's website for the available mounting hardware.
- Reportez-vous aux instructions fournies avec le matériel de montage pour savoir comment procéder à l'installation.
- Installez le capteur à 15° minimum par rapport à l'horizontale.
- Pour les installations d'immersion, placez le capteur à 508 mm (20 pouces) minimum de la paroi du bassin d'aération et immergez-le à 508 mm (20 pouces) minimum dans le processus.
- Déposez le capuchon de protection avant d'immerger le capteur dans l'eau de traitement. Conservez le capuchon de protection pour l'utiliser plus tard.
- (Facultatif) Si l'eau de processus est proche de la température d'ébullition, ajoutez de la poudre de gel² à la solution tampon interne dans le capteur. Refer to step 2 of [Remplacement du pont salin](#) à la page 37. Ne remplacez pas le pont salin.
- Etalonnez le capteur avant l'utilisation.

For examples of sensors in different applications, refer to [Figure 2](#) and [Figure 3](#).

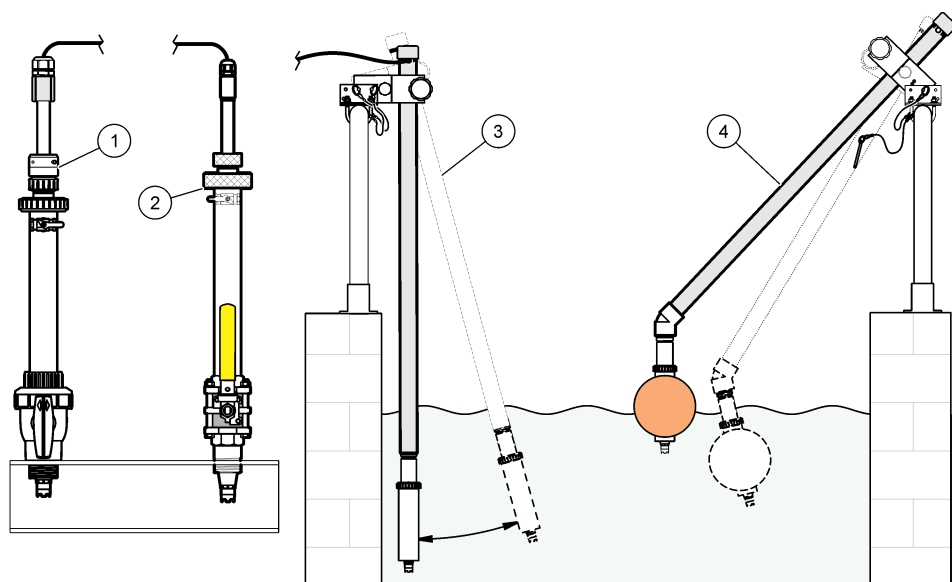
² La poudre de gel diminue le taux d'évaporation de la solution tampon interne.

Figure 2 Exemples de montage (1)



1 Montage sanitaire	3 Montage en plein débit
2 Montage avec raccord union	4 Montage en plein débit — capteur LCP

Figure 3 Exemples de montage (2)



1 Montage pour insertion PVS	3 Montage en immersion
2 Montage en insertion	4 Montage en immersion, flotteur à boule

4.2 Connexion d'un capteur à un contrôleur SC

Utilisez l'une des options suivantes pour connecter le capteur à un contrôleur SC :

- Connectez le capteur à une passerelle numérique sc, puis connectez la passerelle numérique sc au contrôleur SC. La passerelle numérique convertit le signal analogique du capteur en signal numérique.
- Installez un module de capteur dans le contrôleur SC. Connectez ensuite le capteur au capteur de module. Le module de capteur convertit le signal analogique du capteur en un signal numérique.

Reportez-vous aux instructions fournies avec le module de capteur ou la passerelle numérique sc.

Section 5 Fonctionnement

5.1 Navigation utilisateur

Reportez-vous à la documentation du contrôleur pour obtenir une description de l'écran tactile et des informations de navigation.

5.2 Configuration du capteur

Utilisez le menu Configuration pour saisir les informations d'identification du capteur et modifier les options de traitement et de stockage des données. Paramètres

1. Appuyez sur l'icône de menu principal, puis sélectionnez **Appareils**. Une liste d'appareils installés s'affiche.
2. Sélectionnez le capteur et sélectionnez **Menu de l'appareil > Paramètres**.

3. Sélection d'une option.

- Pour les capteurs connectés à un module pH/ORP, reportez-vous au [Tableau 1](#).
- Pour les capteurs connectés à une passerelle numérique sc, reportez-vous au [Tableau 2](#).

Tableau 1 Capteurs connectés au module pH/ORP

Option	Description
Nom	Permet de modifier le nom du capteur en haut de l'écran de mesure. Le nom est limité à 16 caractères avec n'importe quelle combinaison de lettres, chiffres, espaces ou ponctuation.
N/S capteur	Permet à l'utilisateur de saisir le numéro de série du capteur. Le numéro de série est limité à 16 caractères contenant toute combinaison de lettres, chiffres, espaces ou signe de ponctuation.
Format affich.	Uniquement pour les capteurs de pH ; permet de modifier le nombre de décimales affichées sur l'écran de mesure à XX.XX (par défaut) ou XX.X
Température	Règle les unités de température en °C (par défaut) ou °F.
Element température	<p>Capteurs de pH : permet de définir l'élément de température pour la compensation de température automatique sur PT100, PT1000, NTC300 (par défaut). Si aucun élément n'est utilisé, le type peut être défini sur Manuel, et une valeur pour la compensation de température peut être saisie (par défaut : 25 °C).</p> <p>Capteurs ORP : la compensation en température n'est pas utilisée. Il est possible de connecter un élément de température au contrôleur pour mesurer la température.</p>
Filtre	Définit une constante de temps pour augmenter la stabilité du signal. La constante de temps calcule la valeur moyenne pendant une durée spécifiée — 0 (aucun effet, par défaut) à 60 secondes (moyenne de la valeur du signal sur 60 secondes). Le filtre augmente le temps de réponse du signal du capteur aux variations effectives du processus.
Comp. eau pure	<p>Uniquement pour les capteurs de pH ; permet d'ajouter une correction en fonction de la température à la valeur de pH mesurée d'eau pure contenant des additifs.</p> <p>Options : Pas de sélect. (par défaut), Ammoniaque, Morpholine ou Tabl. utilisat.</p> <p>Pour les températures de processus au-dessus de 50 °C, c'est la correction à 50 °C qui est utilisée. Pour les applications définies par l'utilisateur, il est possible de définir une pente linéaire (par défaut : 0 pH/°C).</p>
Prog point ISO	Uniquement pour les capteurs de pH ; permet de définir le point isopotential indiquant que la pente pH dépend de la température. Le point isopotential de la plupart des capteurs est de 7,00 pH (par défaut). Cependant, les capteurs pour applications spéciales peuvent présenter une valeur isopotentielle différente.

Tableau 1 Capteurs connectés au module pH/ORP (suite)

Option	Description
Intervalle de l'enregistreur de données	Permet de définir l'intervalle d'enregistrement de la mesure de température et de capteur dans le journal des données : 5, 30 secondes, 1, 2, 5, 10, 15 (par défaut), 30, 60 minutes.
Réinitialisation aux valeurs par défaut	Permet de réinitialiser le menu Paramètres sur les réglages par défaut d'usine et les compteurs. Toutes les informations de capteur sont perdues.

Tableau 2 Capteurs connectés à la passerelle numérique sc

Option	Description
Nom	Permet de modifier le nom du capteur en haut de l'écran de mesure. Le nom est limité à 12 caractères avec n'importe quelle combinaison de lettres, de chiffres, d'espaces ou de signes de ponctuation.
Choix capteur	Sélectionne le type de capteur (pH ou ORP).Redox
Format affich.	Reportez-vous au Tableau 1 .
Température	Reportez-vous au Tableau 1 .
Intervalle de l'enregistreur de données	Permet de définir l'intervalle d'enregistrement de la mesure de température et de capteur dans le journal des données : 5, 10, 15, 30 secondes, 1, 5, 10, 15 (par défaut), 30 minutes, 1, 2, 6, 12 heures.
Fréquence alim	Sélectionne la fréquence de la ligne d'alimentation pour obtenir le meilleur taux de réduction des parasites. Options : 50 ou 60 Hz (par défaut).
Filtre	Reportez-vous au Tableau 1 .
Element température	Reportez-vous au Tableau 1 .
Choix tampon	Uniquement pour les capteurs de pH ; permet de définir les tampons de pH servant à l'étalonnage de correction automatique. Options : 4,00, 7,00, 10,00 (réglage par défaut) ou DIN 19267 (pH 1,09, 4,65, 6,79, 9,23, 12,75) <i>Remarque : D'autres tampons peuvent être utilisés si la 2 point manuel est sélectionnée pour l'étalonnage.</i>
Comp. eau pure	Reportez-vous à Tableau 1 . Une Matrice 4 peut également être sélectionnée. La Matrice 4 est une méthode de compensation préprogrammée dans le micrologiciel.
Dernière calibration	Permet de définir un rappel pour le prochain étalonnage (par défaut : 60 jours). Un rappel d'étalonnage du capteur s'affiche sur l'écran une fois que l'intervalle à partir du dernier étalonnage a été sélectionné. Par exemple, si la date du dernier étalonnage était le 15 juin et que l'option Dernière calibration est définie sur 60 jours, un rappel d'étalonnage s'affiche à l'écran le 14 août. Si le capteur est étalonné avant le 14 août, le 15 juillet, un rappel d'étalonnage s'affiche à l'écran le 13 septembre.

Tableau 2 Capteurs connectés à la passerelle numérique sc (suite)

Option	Description
Jours capteur	Permet de définir un rappel pour le remplacement du capteur (par défaut : 365 jours). Un rappel de remplacement du capteur s'affiche à l'écran une fois l'intervalle sélectionné. Le compteur Jours capteur est disponible sous le menu Diagnostic/Test > Compteur. Lors du remplacement du capteur, réinitialisez le compteur Jours capteur sous le menu Diagnostic/Test > Compteur.
Limites impéd	Permet de définir les limites d'impédance pour l'Elect active et l'Electrode réf.
Valeurs défaut	Permet de réinitialiser le menu Paramètres sur les réglages par défaut d'usine et les compteurs. Toutes les informations de capteur sont perdues.

5.3 Étalonner le capteur

▲ AVERTISSEMENT



Danger lié à la pression du fluide. Le retrait d'un capteur d'une enceinte pressurisée peut s'avérer dangereux. Réduisez la pression du processus à moins de 7,25 psi (50 kPa) avant le retrait. Si cela n'est pas possible, procédez avec d'extrêmes précautions. Pour plus d'informations, reportez-vous à la documentation fournie avec le matériel de montage.

▲ AVERTISSEMENT



Risque d'exposition chimique. Respectez les procédures de sécurité du laboratoire et portez tous les équipements de protection personnelle adaptés aux produits chimiques que vous manipulez. Consultez les fiches de données de sécurité (MSDS/SDS) à jour pour connaître les protocoles de sécurité applicables.

▲ ATTENTION



Risque d'exposition chimique. Mettez au rebut les substances chimiques et les déchets conformément aux réglementations locales, régionales et nationales.

5.3.1 A propos de l'étalonnage de capteur

L'étalonnage règle la valeur lue par le capteur pour la faire correspondre à la valeur d'une ou plusieurs solutions de référence. Les caractéristiques du capteur dérivent lentement au cours du temps et entraînent l'inexactitude du capteur. Le capteur doit être étalonné régulièrement pour conserver sa précision. La fréquence d'étalonnage dépend de l'application et le mieux est de la déterminer par l'expérience.

Un élément de température permet de fournir des valeurs de pH ajustées automatiquement à 25 °C en fonction des variations de température pouvant affecter l'électrode active et celle de référence. Ce réglage peut être fait manuellement par le client si la température de processus est constante.

Pendant l'étalonnage, les données ne sont pas envoyées dans le journal. Le journal de données peut donc comporter des zones où les données sont intermittentes.

5.3.2 Modification des options d'étalonnage

Pour les capteurs connectés à un module pH/ORP, l'utilisateur peut définir un rappel ou inclure un ID opérateur avec les données d'étalonnage à partir du menu Options d'étalonnage.

Remarque : cette procédure ne s'applique pas aux capteurs connectés à une passerelle numérique sc.

- Appuyez sur l'icône de menu principal, puis sélectionnez **Appareils**. Une liste d'appareils installés s'affiche.
- Sélectionnez le capteur et sélectionnez **Menu de l'appareil > Etalonnage**.

- Sélectionnez **Options d'étalonnage**.
- Sélection d'une option.

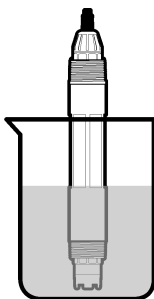
Option	Description
Choix tampon	Uniquement pour les capteurs de pH ; permet de définir les tampons de pH servant à l'étalonnage de correction automatique. Options : 4,00, 7,00, 10,00 (réglage par défaut), DIN 19267 (pH 1,09, 4,65, 6,79, 9,23, 12,75) ou NIST 4,00, 6,00, 9,00 Remarque : D'autres tampons peuvent être utilisés si l'Echant. 2 pts est sélectionné pour l'étalonnage.
Rappel d'étalonnage	Permet de définir un rappel pour l'étalonnage suivant (par défaut : Arrêt). Un rappel d'étalonnage du capteur s'affiche sur l'écran une fois que l'intervalle à partir du dernier étalonnage a été sélectionné. Par exemple, si la date du dernier étalonnage était le 15 juin et que l'option Dernière calibration est définie sur 60 jours, un rappel d'étalonnage s'affiche à l'écran le 14 août. Si le capteur est étalonné avant le 14 août, le 15 juillet, un rappel d'étalonnage s'affiche à l'écran le 13 septembre.
ID opérateur pour étalonnage	Inclut un ID d'opérateur avec les données d'étalonnage — Oui ou Non (par défaut). L'identifiant est saisi pendant l'étalonnage.

5.3.3 Procédure d'étalonnage de pH

Étalonnez le capteur de pH avec une ou deux solutions de référence (étalonnage à 1 point ou 2 points). Les tampons standard sont reconnus automatiquement.

- Placez le capteur dans la première solution de référence (un tampon ou un échantillon de valeur connue). S'assurer que la partie capteur de la sonde est totalement immergée dans le liquide ().
[Figure 4](#)

Figure 4 Capteur dans la solution de référence



- Attendez l'égalisation des températures du capteur et de la solution. Ceci peut prendre 30 minutes ou plus si la différence de température entre la solution de processus et celle de référence est importante.
- Appuyez sur l'icône de menu principal, puis sélectionnez **Appareils**. Une liste d'appareils installés s'affiche.
- Sélectionnez le capteur et sélectionnez **Menu de l'appareil > Etalonnage**.
- Sélectionnez le type d'étalonnage.

Option	Description
Calibration tampon à 1 point (ou 1 point auto)	Utilisez un tampon pour l'étalonnage (par exemple, pH 7). Le capteur identifie automatiquement le tampon pendant l'étalonnage. Remarque : Assurez-vous de sélectionner le jeu de tampons sous Etalonnage > Options d'étalonnage > menu Choix tampon (ou Paramètres > menu Choix tampon).

Option	Description
Calibration tampon à 2 points (ou 2 point auto)	Utilisez deux tampons pour l'étalonnage (par exemple, pH 7 et pH 4). Le capteur identifie automatiquement les tampons au cours de l'étalonnage. Remarque : Assurez-vous de sélectionner le jeu de tampons sous <i>Etalonnage</i> > <i>Options d'étalonnage</i> > <i>menu Choix tampon (ou Paramètres > menu Choix tampon)</i> .
Echant. 1 pt (ou 1 point manuel)	Utilisez un échantillon d'une valeur connue (ou un tampon) pour l'étalonnage. Déterminez la valeur de pH de l'échantillon avec un autre instrument. Saisissez la valeur du pH au cours de l'étalonnage.
Echant. 2 pts (ou 2 point manuel)	Utilisez deux échantillons d'une valeur connue (ou deux tampons) pour l'étalonnage. Déterminez la valeur de pH des échantillons avec un autre instrument. Saisissez la valeur du pH au cours de l'étalonnage.

6. Sélectionnez l'option de sortie du signal pendant l'étalonnage :

Option	Description
Actif	L'instrument envoie la valeur de sortie mesurée pendant la procédure d'étalonnage.
Mémorisation	La valeur de sortie du capteur est maintenue à la dernière valeur mesurée pendant la procédure d'étalonnage.
Transfert	Une valeur de sortie prédéfinie est envoyée pendant l'étalonnage. Reportez-vous au manuel d'utilisation du transmetteur pour modifier la valeur prédéfinie.

7. Avec le capteur dans la première solution de référence, appuyer sur OK
La valeur mesurée apparaît.

8. Attendez que la valeur se stabilise et appuyez sur OK.

Remarque : L'écran peut passer automatiquement à l'étape suivante.

9. Le cas échéant, saisissez la valeur de pH et appuyez sur OK.

Remarque : Si la solution de référence est un tampon, recherchez la valeur pH sur le flacon du tampon pour vérifier la température du tampon. Si la solution de référence est un échantillon, déterminez la valeur du pH de l'échantillon avec un instrument différent.

10. Pour un étalonnage à 2 points, mesurez la seconde solution de référence comme suit :

- Sortir le capteur de la première solution et le rincer à l'eau propre.
- Placez le capteur dans la solution de référence suivante, puis appuyez sur OK.
- Attendez que la valeur se stabilise et appuyez sur OK.
Remarque : L'écran peut passer automatiquement à l'étape suivante.
- Le cas échéant, saisissez la valeur de pH et appuyez sur OK.

11. Consultez le résultat d'étalonnage :

- « L'étalonnage est terminé. » : le capteur est étalonné et prêt pour mesurer les échantillons. Les valeurs de pente et/ou de décalage sont indiquées.
- « La calibration a échoué. » : la pente ou le décalage d'étalonnage est en dehors des limites acceptées. Répétez l'étalonnage avec des solutions de référence neuves. Nettoyez le capteur si nécessaire.

12. Appuyez sur OK.

13. Ramenez le capteur dans le fluide de processus et appuyez sur OK.

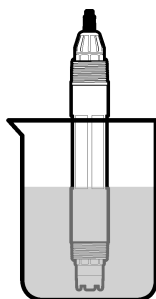
Le signal de sortie revient dans l'état actif et la valeur d'échantillon mesurée s'affiche sur l'écran de mesure.

5.3.4 Procédure d'étalonnage ORP

Étalonnez le capteur ORP avec une solution à une référence (étalonnage à 1 point)

1. Placez le capteur dans la solution de référence (une solution de référence ou un échantillon de valeur connue). S'assurer que la partie capteur de la sonde est totalement immergée dans la solution (Figure 5).

Figure 5 Capteur dans la solution de référence



- Appuyez sur l'icône de menu principal, puis sélectionnez **Appareils**. Une liste d'appareils installés s'affiche.
- Sélectionnez le capteur et sélectionnez **Menu de l'appareil > Etalonnage**.
- Sélectionnez **Echant. 1 pt** (ou **1 point manuel**).
- Sélectionnez l'option de sortie du signal pendant l'étalonnage :

Option	Description
Actif	L'instrument envoie la valeur de sortie mesurée pendant la procédure d'étalonnage.
Mémorisation	La valeur de sortie du capteur est maintenue à la dernière valeur mesurée pendant la procédure d'étalonnage.
Transfert	Une valeur de sortie prédéfinie est envoyée pendant l'étalonnage. Reportez-vous au manuel d'utilisation du transmetteur pour modifier la valeur prédéfinie.

- Lorsque le capteur se trouve dans la solution ou l'échantillon de référence, appuyez sur OK. La valeur mesurée apparaît.
- Attendez que la valeur se stabilise et appuyez sur OK.
Remarque : L'écran peut passer automatiquement à l'étape suivante.
- Si un échantillon est utilisé pour l'étalonnage, mesurez la valeur ORP de l'échantillon avec un instrument de vérification secondaire. Saisissez la valeur mesure, puis appuyez sur OK.
- Si une solution de référence est utilisée pour l'étalonnage, saisissez la valeur ORP notée sur le flacon. Appuyez sur OK.
- Consultez le résultat d'étalonnage :
 - « L'étalonnage est terminé. » : le capteur est étalonné et prêt pour mesurer les échantillons. Les valeurs de pente et/ou de décalage sont indiquées.
 - « La calibration a échoué. » : la pente ou le décalage d'étalonnage est en dehors des limites acceptées. Répétez l'étalonnage avec des solutions de référence neuves. Nettoyez le capteur si nécessaire.
- Appuyez sur OK.
- Ramenez le capteur dans le fluide de processus et appuyez sur OK. Le signal de sortie revient dans l'état actif et la valeur d'échantillon mesurée s'affiche sur l'écran de mesure.

5.3.5 Etalonnage en température

L'instrument est étalonné en usine pour une mesure de température précise. La température peut être étalonnée pour augmenter la précision.

- Placez le capteur dans un récipient d'eau.
- Mesurez la température de l'eau avec un thermomètre ou un instrument indépendant précis.

3. Appuyez sur l'icône de menu principal, puis sélectionnez **Appareils**. Une liste d'appareils installés s'affiche.
4. Sélectionnez le capteur et sélectionnez **Menu de l'appareil > Etalonnage**.
5. Pour les connecteurs connectés à un module pH/ORP, effectuez les étapes suivantes :
 - a. Sélectionnez **Etalonnage de la température en 1 point**.
 - b. Attendez que la valeur se stabilise, puis appuyez sur OK.
 - c. Saisissez la valeur exacte et appuyez sur OK.
6. Pour les capteurs connectés à une passerelle numérique sc, effectuer les étapes suivantes :
 - a. Sélectionnez **Rég temp**.
 - b. Attendez que la valeur se stabilise, puis appuyez sur OK.
 - c. Sélectionnez **Editer temp**.
 - d. Saisissez la valeur exacte et appuyez sur OK.
7. Remplacez le capteur dans le processus et appuyez sur l'icône d'accueil.

5.3.6 Sortie de la procédure d'étalonnage

1. Pour sortir d'un étalonnage, appuyez sur l'icône de retour.
2. Sélectionnez une option, puis appuyez sur OK.

Option	Description
Quitter l'étalonnage (ou Annuler)	Arrête l'étalonnage. Un nouvel étalonnage devra repartir du début.
Retour étalon.	Revient à l'étalonnage.
Quitter l'étalonnage (ou Quitter)	Quitte temporairement l'étalonnage. L'accès aux autres menus est autorisé. Il est possible de démarrer un étalonnage pour un deuxième capteur (le cas échéant).

5.3.7 Remettez à zéro le calibrage

L'étalonnage peut être réinitialisé aux paramètres par défaut d'usine. Toutes les informations de capteur sont perdues.

1. Appuyez sur l'icône de menu principal, puis sélectionnez **Appareils**. Une liste d'appareils installés s'affiche.
2. Sélectionnez le capteur et sélectionnez **Menu de l'appareil > Etalonnage**.
3. Sélectionnez **Réinitialisation aux valeurs d'étalonnage par défaut (ou Valeurs défaut)**, puis appuyez sur OK.
4. Appuyez à nouveau sur OK.

5.4 Mesures d'impédance

Afin d'améliorer la fiabilité du système de mesure du pH, le transmetteur détermine l'impédance des électrodes de verre. Cette mesure est effectuée toutes les minutes. Durant le diagnostic, la mesure du pH est en mode de maintien pendant cinq secondes. Si un message d'erreur apparaît, reportez-vous à [Liste d'erreurs](#) à la page 41 pour de plus amples détails.

Pour activer ou désactiver la mesure d'impédance du capteur :

1. Appuyez sur l'icône de menu principal, puis sélectionnez **Appareils**. Une liste d'appareils installés s'affiche.
2. Sélectionnez l'appareil, puis **Menu de l'appareil > Diagnostic/Test**.
3. Pour les capteurs connectés à un module pH/ORP, sélectionnez **Etat impéd**.

4. Pour les capteurs connectés à une passerelle numérique sc, sélectionnez **Signaux > Etat impéd** .
5. Sélectionnez **Activé** ou **Désactivé** et appuyez sur OK.

Pour consulter les relevés d'impédance des électrodes actives et de référence, sélectionnez **Signaux de capteur** (ou **Signaux**) et appuyez sur OK.

5.5 Registres Modbus

Une liste de registres Modbus est disponible pour la communication réseau. Consultez le site Internet du fabricant de l'instrument pour plus d'informations.

Section 6 Maintenance

▲ AVERTISSEMENT



Dangers multiples. Seul le personnel qualifié doit effectuer les tâches détaillées dans cette section du document.

▲ AVERTISSEMENT



Risque d'explosion. Ne connectez ou ne déconnectez pas l'instrument si l'environnement n'est pas connu pour être non dangereux. Reportez-vous à la documentation du contrôleur Classe 1, Division 2 pour les instructions relatives aux emplacements dangereux.

▲ AVERTISSEMENT



Danger lié à la pression du fluide. Le retrait d'un capteur d'une enceinte pressurisée peut s'avérer dangereux. Réduisez la pression du processus à moins de 7,25 psi (50 kPa) avant le retrait. Si cela n'est pas possible, procédez avec d'extrêmes précautions. Pour plus d'informations, reportez-vous à la documentation fournie avec le matériel de montage.

▲ AVERTISSEMENT



Risque d'exposition chimique. Respectez les procédures de sécurité du laboratoire et portez tous les équipements de protection personnelle adaptés aux produits chimiques que vous manipulez. Consultez les fiches de données de sécurité (MSDS/SDS) à jour pour connaître les protocoles de sécurité applicables.

▲ ATTENTION



Risque d'exposition chimique. Mettez au rebut les substances chimiques et les déchets conformément aux réglementations locales, régionales et nationales.

6.1 Calendrier de maintenance

Le [Tableau 3](#) présente le calendrier recommandé pour les tâches de maintenance. Les exigences du site et les conditions d'utilisation peuvent augmenter la fréquence de certaines tâches.

Tableau 3 Echancier de maintenance

Tâche d'entretien	1 an	Au besoin
Nettoyage du capteur à la page 37		X
Remplacement du pont salin à la page 37	X	
Étalonner le capteur à la page 31	Défini par les organismes notifiés ou par l'expérience	

6.2 Nettoyage du capteur

Prérequis : Préparer une solution savonneuse douce avec un détergent pour vaisselle non abrasif ne contenant pas de lanoline. La lanoline laisse un film sur la surface de l'électrode qui peut dégrader les performances du capteur.

Contrôlez régulièrement le capteur pour y détecter les débris et dépôts. Nettoyez le capteur en cas d'accumulation de dépôts ou de dégradation des performances.

1. Utiliser un chiffon doux et propre pour éliminer les débris faciles à décoller de l'extrémité du capteur. Rincer le capteur à l'eau propre et tiède.
2. Immergez le capteur dans la solution savonneuse pendant 2 à 3 minutes.
3. Utiliser une brosse à poils doux pour frotter la totalité de l'extrémité de mesure du capteur.
4. S'il reste des débris, laisser tremper l'extrémité du capteur dans une solution d'acide dilué telle que <5% HCl pendant 5 minutes au maximum.
5. Rincer le capteur à l'eau puis le ramener dans la solution de savon pendant 2 à 3 minutes.
6. Rincez le capteur à l'eau propre.

Remarque : Les capteurs avec électrodes d'antimoine pour application HF peuvent imposer un nettoyage supplémentaire. Contactez l'assistance technique.

Procédez toujours à l'étalonnage du capteur une fois les procédures de maintenance effectuées.

6.3 Remplacement du pont salin

Remplacez le pont salin et la solution tampon interne chaque année ou lorsque l'étalonnage échoue après le nettoyage du capteur.

Remarque : Une vidéo indiquant comment remplacer le pont salin est disponible sur www.Hach.com. Accédez à la page Web du pont salin, puis cliquez sur l'onglet Vidéo.

Éléments à réunir :

- Clé à molette réglable
- Grandes pinces
- Pont salin
- Solution tampon interne
- Poudre de gel³, 1/4 cuillère à café

1. Nettoyez le capteur. Reportez-vous à la section [Nettoyage du capteur](#) à la page 37.
2. Remplacez le pont salin et la solution tampon interne. Reportez-vous aux étapes illustrées ci-dessous.

Si le réservoir pour la solution tampon interne contient un gel (non habituel), utilisez un jet d'eau d'un dispositif à eau de type canule pour retirer l'ancien gel comme illustré à l'étape 2.

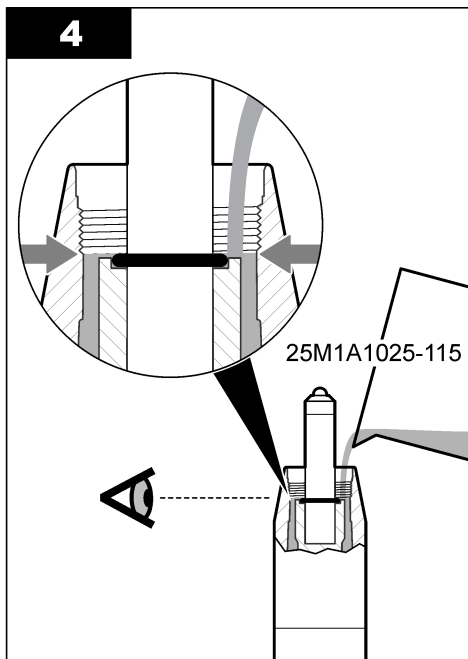
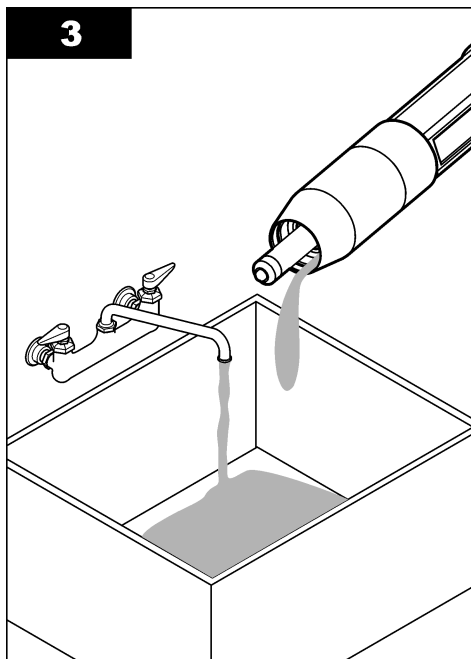
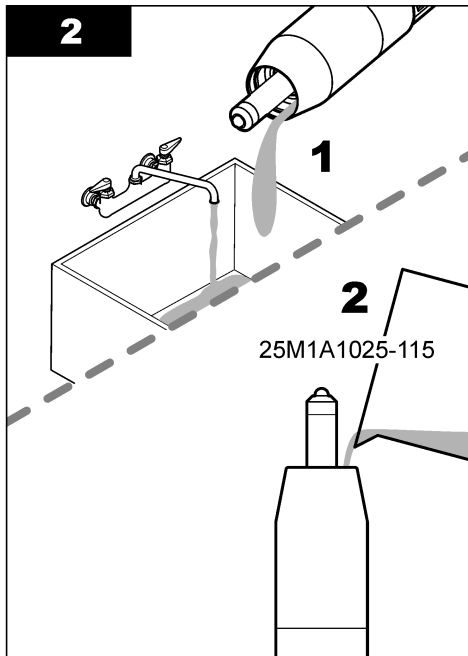
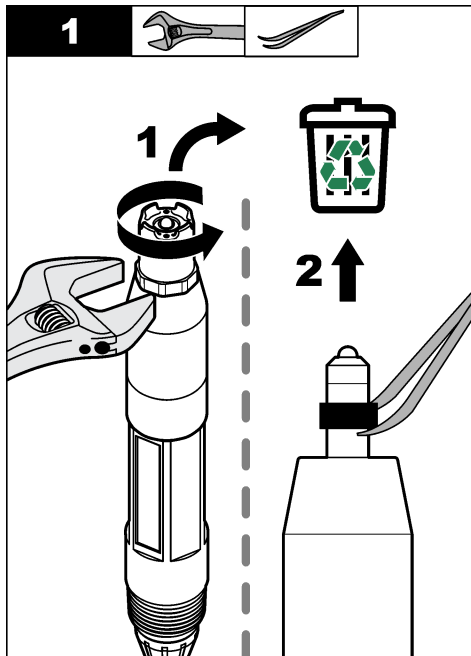
(Facultatif) Si l'eau de traitement est proche de la température d'ébullition, ajoutez de la poudre de gel à la nouvelle solution tampon interne comme illustré à l'étape 4, comme suit :

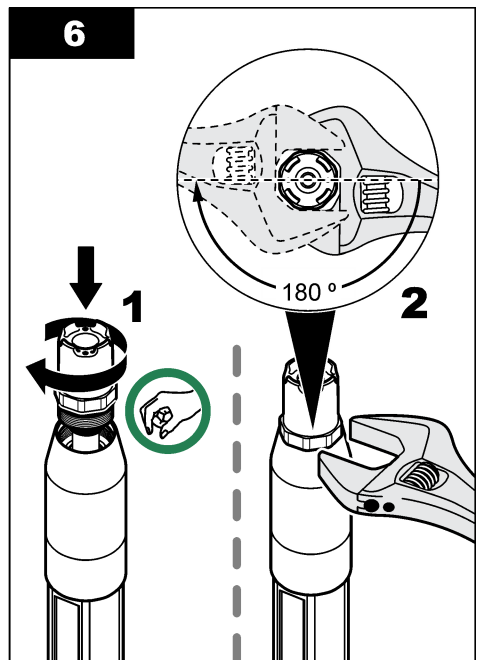
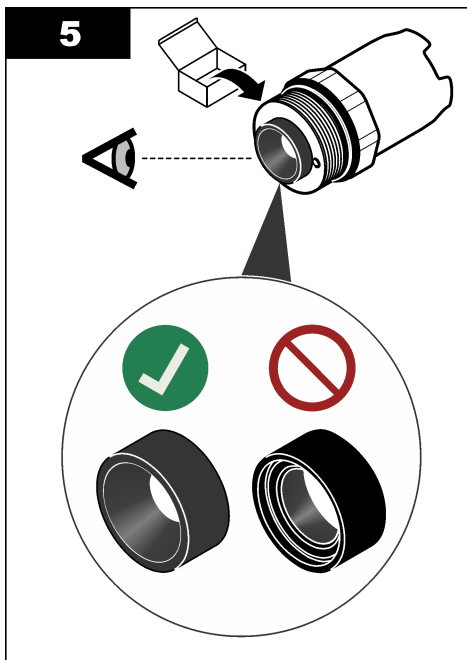
- a. Versez 1 bouchon de flacon (1/4 cuillère à café) de poudre de gel dans le réservoir pour la solution tampon interne.
- b. Versez un peu de solution tampon interne neuve dans le réservoir.
- c. Mélangez avec la poudre jusqu'à épaississement de la solution.
- d. Ajoutez de petites quantités de solution et mélangez jusqu'à ce que le niveau du gel se trouve au fond des filetages du pont salin.

³ (Facultatif) Ajoutez la poudre de gel à la solution tampon interne si l'eau de traitement est proche de la température d'ébullition. La poudre de gel diminue le taux d'évaporation de la solution tampon interne.

e. Vérifiez le niveau correct du gel en installant et déposant le nouveau pont salin. Une empreinte du pont salin doit rester sur la surface du gel.

3. Etalonnez le capteur.





6.4 Préparation du stockage

Pour le stockage à court terme (lorsque le capteur est sorti du processus pendant plus d'une heure), remplissez le capuchon protecteur d'une solution tampon de pH 4, puis replacez le capuchon sur le capteur. Veillez à ce que l'électrode du processus et le pont salin de la jonction de référence restent humides pour éviter un temps de réponse trop long lorsque vous remettez le capteur en fonctionnement.

Pour le stockage à plus long terme, répétez la procédure de stockage à court terme toutes les 2 à 4 semaines, en fonction des conditions environnementales. Reportez-vous à la section [Caractéristiques](#) à la page 23 pour connaître les limites de température de stockage.

Section 7 Dépannage

7.1 Données intermittentes

Pendant l'étalonnage, les données ne sont pas envoyées dans le journal. Le journal de données peut donc comporter des zones où les données sont intermittentes.

7.2 Test du capteur de pH

Prérequis : Deux tampons de pH et un multimètre.

En cas d'échec d'étalonnage, commencer par effectuer les opérations d'entretien décrites dans [Maintenance](#) à la page 36.

1. Placez le capteur dans une solution tampon de pH 7 et attendez que le capteur et le tampon atteignent la température ambiante.
2. Débranchez les câbles du capteur rouge, vert, jaune et noir du module ou de la passerelle numérique.
3. Mesurez la résistance entre les fils jaune et noir pour vérifier le fonctionnement de l'élément de température. La résistance doit être comprise entre 250 et 350 ohms à environ 25 °C. Si l'élément de température est bon, rebrancher les fils jaune et noir sur le module.

- Mesurer la tension continue mV CC avec le cordon du multimètre (+) relié au fil rouge et le cordon (-) relié au fil vert. La valeur lue doit être comprise entre -50 et +50 mV.
Si la valeur est en dehors de ces limites, nettoyer le capteur et changer le pont salin et la solution de la cellule standard.
- En laissant le multimètre branché de la même façon, rincer le capteur à l'eau et le placer dans une solution tampon de pH 4 ou pH 10. Attendez que le capteur et le tampon atteignent la température ambiante.
- Comparez les valeurs en mV lues dans le tampon pH 4 ou pH 10 à la valeur lue dans le tampon pH 7. La valeur lue doit être différente d'environ 160 mV.
Si la différence est inférieure à 160 mV, appelez le support technique.

7.3 Test du capteur REDOX

Prérequis : solution de référence REDOX 200 mV, multimètre.

En cas d'échec d'étalonnage, commencer par effectuer les opérations d'entretien décrites dans [Maintenance](#) à la page 36.

- Placer le capteur dans une solution de référence 200 mV et attendre que le capteur et la solution reviennent à température ambiante.
- Débranchez les câbles du capteur rouge, vert, jaune et noir du module ou de la passerelle numérique.
- Mesurer la résistance entre les fils jaune et noir pour vérifier le fonctionnement de l'élément de température. La résistance doit être comprise entre 250 et 350 ohms à environ 25 °C.
Si l'élément de température est bon, rebrancher les fils jaune et noir sur le module.
- Mesurer la tension continue mV CC avec le cordon du multimètre (+) relié au fil rouge et le cordon (-) relié au fil vert. La valeur lue doit être comprise entre 160 et 240 mV.
Si les valeurs lues sont en dehors de ces limites, appeler le support technique.

7.4 Menu Diagnostic/Test

Le menu Diagnostic/Test affiche les informations actuelles et historiques relatives au capteur. Voir la section [Tableau 4](#). Appuyez sur l'icône de menu principal, puis sélectionnez **Appareils**. Sélectionnez l'appareil, puis **Menu de l'appareil > Diagnostic/Test**.

Tableau 4 Menu Diagnostic/Test

Option	Description
Module information (Informations sur le module)	Uniquement pour les capteurs connectés à un module pH/ORP ; permet d'afficher la version et le numéro de série du module de capteur.
Informations du capteur	Uniquement pour les capteurs connectés à un module pH/ORP ; permet d'afficher le nom et le numéro de série du capteur saisis par l'utilisateur. Uniquement pour les capteurs connectés à une passerelle numérique sc ; permet d'afficher le numéro de modèle et le nom du capteur saisis par l'utilisateur, et le numéro de série du capteur. Permet d'afficher la version logicielle et du pilote installée.
Dernière calibration	Uniquement pour les capteurs connectés à un module pH/ORP ; permet d'afficher le nombre de jours depuis le dernier étalonnage.
Historique d'étalonnage	Pour les capteurs connectés à un module pH/ORP ; permet d'afficher la pente d'étalonnage et la date des étalonnages précédents. Pour les capteurs connectés à une passerelle numérique sc ; permet d'afficher la pente d'étalonnage et la date des étalonnages précédents.
Réinitialiser l'historique d'étalonnage	Uniquement pour les capteurs connectés à un module pH/ORP ; à des fins d'entretien uniquement
Etat impédé	Uniquement pour les capteurs de pH ; reportez-vous à Mesures d'impédance à la page 35.

Tableau 4 Menu Diagnostic/Test (suite)

Option	Description
Signaux de capteur (ou Signaux)	<p>Uniquement pour les capteurs de pH connectés à un module pH/ORP ; permet d'afficher le relevé actuel en mV.</p> <p>Uniquement pour les capteurs de pH connectés à une passerelle numérique sc ; permet d'afficher le relevé actuel en mV et les compteurs de convertisseur analogique/numérique.</p> <p>Si le paramètre Etat impéd est défini sur Activé, les impédances des électrodes actives et de référence sont affichées.</p>
Jours capteur (ou Compteur)	<p>Pour les capteurs connectés à un module pH/ORP ; permet d'afficher le nombre de jours de fonctionnement du capteur.</p> <p>Pour les capteurs connectés à une passerelle numérique sc ; permet d'afficher le nombre de jours de fonctionnement du capteur et des électrodes. Le compteur Jours utilisat est réinitialisé lorsque le programme identifie qu'une électrode défectueuse a été remplacée par une électrode qui fonctionne correctement.</p> <p>Pour réinitialiser le compteur Jours capteur, sélectionnez Réinitialiser.</p> <p>Réinitialisez le compteur Jours capteur lorsque le capteur (ou pont salin) est remplacé.</p>

7.5 Liste d'erreurs

Lorsqu'une erreur se produit, le relevé clignote sur l'écran de mesure, et toutes les sorties sont maintenues lorsqu'elles sont spécifiées dans le menu TRANSMETTEUR > Sorties L'écran devient rouge. La barre de diagnostic indique l'erreur. Appuyez sur la barre de diagnostic pour afficher les erreurs et les avertissements. Vous pouvez également appuyer sur l'icône de menu principale, puis sélectionnez **Notifications > Erreurs**.

A list of possible errors is shown in [Tableau 5](#).

Tableau 5 Liste d'erreurs

Erreur	Description	Résolution
La valeur du pH est trop élevée !	Le pH mesuré est > 14.	Étalonner ou remplacer le capteur.
La valeur ORP est trop élevée !	La valeur ORP mesurée est > 2 100 mV.	
La valeur du pH est trop faible !	Le pH mesuré est < 0.	Étalonner ou remplacer le capteur.
La valeur ORP est trop faible !	La valeur de potentiel ORP mesurée est < -2 100 mV.	
La valeur du décalage est trop élevée.	Le décalage est > 9 (pH) ou 200 mV (ORP).	Suivre les procédures d'entretien pour le capteur puis répéter l'étalonnage, ou remplacer le capteur.
La valeur du décalage est trop faible.	Le décalage est < 5 (pH) ou -200 mV (ORP).	
La pente est trop importante.	La pente est > 62 (pH)/1,3 (ORP).	Répéter l'étalonnage avec un tampon ou un échantillon neuf, ou remplacer le capteur.
La pente est trop faible.	La pente est < 50 (pH)/0,7 (ORP).	Nettoyer le capteur, répéter l'étalonnage ou remplacer le capteur.
La température est trop élevée !	La température mesurée est > 130 °C.	Assurez-vous que l'élément de température sélectionné est correct.
La température est trop faible !	La température mesurée est < -10 °C.	

Tableau 5 Liste d'erreurs (suite)

Erreur	Description	Résolution
L'écart entre les tampons est trop petit !	La valeur des tampons pour la correction automatique à 2 points est identique.	Complete the steps in Test du capteur de pH à la page 39.
Capteur manquant	Le capteur est manquant ou débranché.	Contrôlez le câblage et les connexions du capteur et du module (ou de la passerelle numérique).
Le capteur de température est manquant !	Le capteur de température est manquant.	Contrôler le câblage du capteur de température. Assurez-vous que l'élément de température sélectionné est correct.
L'impédance verre est trop faible.	L'ampoule de verre est cassée ou en fin de vie.	Remplacez le capteur. Contactez l'assistance technique.

7.6 Liste d'avertissements

Un avertissement n'affecte pas le fonctionnement des menus, relais et sorties. L'écran devient orange. La barre de diagnostic affiche l'avertissement. Appuyez sur la barre de diagnostic pour afficher les erreurs et les avertissements. Vous pouvez également appuyer sur l'icône de menu principale, puis sélectionnez **Notifications > Avertissements**.

A list of possible warnings is shown in [Tableau 6](#).

Tableau 6 Liste avertissements

Avertissement	Description	Résolution
Le pH est trop élevé.	Le pH mesuré est > 13.	Étalonner ou remplacer le capteur.
La valeur ORP est trop élevée.	La valeur de potentiel ORP mesurée est > 2 100 mV.	
Le pH est trop faible.	Le pH mesuré est < 1.	Étalonner ou remplacer le capteur.
La valeur ORP est trop faible.	La valeur de potentiel ORP mesurée est < -2 100 mV.	
La valeur du décalage est trop élevée.	Le décalage est > 8 (pH) ou 200 mV (ORP).	Suivre les procédures d'entretien pour le capteur puis répéter l'étalonnage.
La valeur du décalage est trop faible.	Le décalage est < 6 (pH) ou -200 mV (ORP).	
La pente est trop importante.	La pente est > 60 (pH)/1,3 (ORP).	Répéter l'étalonnage avec un tampon ou un échantillon neuf.
La pente est trop faible.	La pente est < 54 (pH)/0,7 (ORP).	Nettoyer le capteur, puis répéter l'étalonnage.
La température est trop élevée.	La température mesurée est > 100 °C.	S'assurer que l'élément de température utilisé est correct.
La température est trop faible.	La température mesurée est < 0 °C.	
La température est hors plage.	La température mesurée est > 100 °C ou < 0 °C.	
Le délai d'étalonnage est dépassé.	Le délai de rappel d'étalonnage est écoulé.	Étalonner le capteur.
L'appareil n'est pas étalonné.	Le capteur n'a pas été étalonné.	Étalonner le capteur.

Tableau 6 Liste avertissements (suite)

Avertissement	Description	Résolution
Rempl. capteur	La valeur du compteur Jours capteur est supérieure à l'intervalle sélectionné pour le remplacement du capteur. Voir Configuration du capteur à la page 28.	Remplacez le capteur (ou le pont salin). Réinitialisez le compteur Jours capteur dans le menu Diagnostic/Test > Réinitialiser (ou le menu Diagnostic/Test > Compteur).
Étalonnage en cours...	Un étalonnage a été commencé mais n'a pas été achevé.	Revenir à l'étalonnage.
La température n'est pas étalonnée.	Le capteur de température n'est pas étalonné	Étalonnez la température.

Tabla de contenidos

- | | |
|---|---|
| 1 Información adicional en la página 44 | 5 Funcionamiento en la página 49 |
| 2 Especificaciones en la página 44 | 6 Mantenimiento en la página 57 |
| 3 Información general en la página 45 | 7 Solución de problemas en la página 61 |
| 4 Instalación en la página 47 | |

Sección 1 Información adicional

En la página web del fabricante dispone de la versión completa del manual de usuario.

Sección 2 Especificaciones

Las especificaciones están sujetas a cambios sin previo aviso.

El producto sólo tiene las homologaciones indicadas y los registros, certificados y declaraciones que se facilitan oficialmente con el producto. El uso de este producto en una aplicación para la que no está permitido no está aprobado por el fabricante.

Especificación	Datos
Dimensiones (longitud/diámetro)	pHD: 271 mm (10,7 pulgadas)/35 mm (1,4 pulgadas); 1 pulgada NPT; LCP (polímero de cristal líquido): 187 mm (7,35 pulgadas)/51 mm (2 pulgadas); 1-½ pulgadas NPT
Peso	316 g (11 oz)
Grado de contaminación	2
Categoría de sobretensión	I
Clase de protección	III
Altitud	2000 m (6562 pies) máximo
Temperatura de funcionamiento	De 5 a 105 °C (23 a 221 °F)
Temperatura de almacenamiento	De 4 a 70 °C (40 a 158 °F), del 0 al 95 % de humedad relativa, sin condensación
Materiales en contacto con el agua	Cuerpo de PEEK o polifenilensulfuro PPS (PVDF), electrodo de proceso de vidrio, electrodo a tierra de titanio y juntas tóricas de FKM/FPM <i>Nota: El sensor de pH con un electrodo de proceso de vidrio resistente a HF opcional tiene un electrodo de tierra de acero inoxidable 316 y juntas tóricas húmedas de perfluoroelastómero.</i>
Rango de medición	Sensor de pH: de -2 a 14 unidades de pH ¹ (O de 2,00 a 14,00) Sensor de ORP: de -1500 a +1500 mV
Cable del sensor	pHD: 5 conductores (más 2 protecciones), 6 m (20 pies); LCP: 5 conductores (más 1 protección), 3 m (10 pies)
Componentes	Materiales resistentes a la corrosión, totalmente sumergibles
Resolución	Sensor de pH: ±0,01 pH Sensor de ORP: ±0,5 mV
Velocidad de muestra	3 m/s (10 pies/s) como máximo
Límite de presión	6,9 bares a 105 °C (100 psi a 221 °F)

¹ La mayoría de las aplicaciones de pH tienen un rango de 2,5 a 12,5. El sensor de pH diferencial pHD con un electrodo de proceso de vidrio de rango amplio tiene un funcionamiento correcto en este intervalo. Hay aplicaciones industriales que necesitan una medición y un control precisos de valores de pH por debajo de 2 o por encima de 12. En estos casos, póngase en contacto con el fabricante para obtener más información.

Especificación	Datos
Distancia de transmisión	100 m (328 pies) como máximo 1000 m (3280 pies) como máximo al utilizarse con una caja de terminación
Elemento de temperatura	Termistor NTC de 300 Ω para compensación automática de la temperatura y lectura de la temperatura del analizador
Compensación de la temperatura	De forma automática de -10 a 105 °C ($14,0$ a 221 °F) con el termistor NTC de 300 Ω , un elemento de temperatura de RTD de Pt 1000 Ω o de Pt 100 Ω , o se puede fijar manualmente en una temperatura especificada por el usuario
Métodos de calibración	De 1 o 2 puntos, automática o manual
Interfaz del sensor	Modbus RTU desde gateway digital SC o módulo de pH/ORP
Certificaciones	Indicados por ETL (EE. UU. y Canadá) para su uso en lugares peligrosos de Clase 1, División 2, Grupos A, B, C, D, código de temperatura T4 con un controlador SC de Hach. Conforme a: CE, UKCA, FCC, ISED, ACMA, KC, CMIM, NM

Sección 3 Información general

El fabricante no será responsable en ningún caso de los daños resultantes de un uso inadecuado del producto o del incumplimiento de las instrucciones del manual. El fabricante se reserva el derecho a modificar este manual y los productos que describen en cualquier momento, sin aviso ni obligación. Las ediciones revisadas se encuentran en la página web del fabricante.

3.1 Información de seguridad

El fabricante no es responsable de ningún daño debido a un mal uso de este producto incluyendo, sin limitación, daños directos, fortuitos o circunstanciales y reclamaciones sobre los daños que no estén recogidos en la legislación vigente. El usuario es el único responsable de identificar los riesgos críticos y de instalar los mecanismos adecuados de protección de los procesos en caso de un posible mal funcionamiento del equipo.

Sírvase leer todo el manual antes de desembalar, instalar o trabajar con este equipo. Ponga atención a todas las advertencias y avisos de peligro. El no hacerlo puede provocar heridas graves al usuario o daños al equipo.

Asegúrese de que la protección proporcionada por el equipo no está dañada. No utilice ni instale este equipo de manera distinta a lo especificado en este manual.

3.1.1 Uso de la información relativa a riesgos

▲ PELIGRO

Indica una situación potencial o de riesgo inminente que, de no evitarse, provocará la muerte o lesiones graves.

▲ ADVERTENCIA

Indica una situación potencial o inminentemente peligrosa que, de no evitarse, podría provocar la muerte o lesiones graves.

▲ PRECAUCIÓN

Indica una situación potencialmente peligrosa que podría provocar una lesión menor o moderada.

AVISO

Indica una situación que, si no se evita, puede provocar daños en el instrumento. Información que requiere especial énfasis.

3.1.2 Etiquetas de precaución

Lea todas las etiquetas y rótulos adheridos al instrumento. En caso contrario, podrían producirse heridas personales o daños en el instrumento. El símbolo que aparezca en el instrumento se comentará en el manual con una declaración de precaución.



Este símbolo (en caso de estar colocado en el equipo) hace referencia a las instrucciones de uso o a la información de seguridad del manual.



En Europa, el equipo eléctrico marcado con este símbolo no se debe desechar mediante el servicio de recogida de basura doméstica o pública. Devuelva los equipos viejos o que hayan alcanzado el término de su vida útil al fabricante para su eliminación sin cargo para el usuario.

3.2 Descripción general del producto

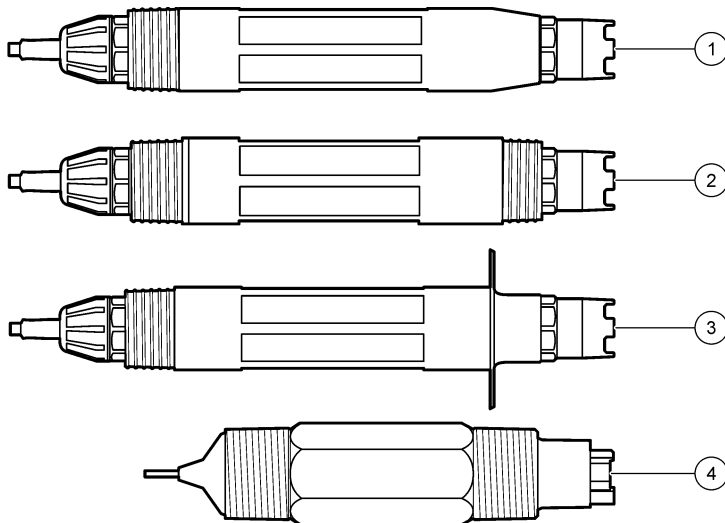
Este sensor está diseñado para trabajar con un controlador para la recolección de datos y operación. Con este sensor se pueden utilizar diferentes controladores. Este documento da por sentado que el sensor tiene instalado y utiliza un controlador SC4500. Para utilizar el sensor con otros controladores, consulte el manual del usuario del controlador que está utilizando.

Los equipos opcionales, como el kit de montaje para el sensor, se suministran con las instrucciones de instalación. Existen varias opciones de montaje que permiten adaptar el sensor para su uso en muchas aplicaciones distintas.

3.3 Tipos de sensores

El sensor se encuentra disponible en diferentes tipos. Consulte [Figura 1](#).

Figura 1 Estilos de sensores



1 De inserción: permite ser sacado sin detener el flujo del proceso	3 Sanitario: para la instalación de un sanitario en T de 2 pulgadas
2 Convertible: para un conector en T de tubos o para sumergirlo en un recipiente abierto	4 Convertible: tipo LCP

Sección 4 Instalación

4.1 Montaje

⚠ ADVERTENCIA



Peligro de explosión. Para la instalación en ubicaciones peligrosas (clasificadas como tales), consulte las instrucciones y los diagramas de control de la documentación del controlador Clase 1, División 2. Instale el sensor de conformidad con los códigos locales, regionales y nacionales. No conecte o desconecte el instrumento a menos que se sepa que el entorno no es peligroso.

⚠ ADVERTENCIA



Peligro de explosión. Asegúrese de que el kit de montaje para el sensor tenga la temperatura y el valor nominal de presión adecuados para el lugar de montaje.

⚠ PRECAUCIÓN



Peligro de lesión personal. El cristal roto puede causar cortes. Utilice herramientas y equipo de protección personal para retirar el cristal roto.

AVISO

El electrodo de proceso situado en el extremo del sensor de pH cuenta con un bulbo de vidrio que se puede romper. No golpee ni apriete el bulbo.

AVISO

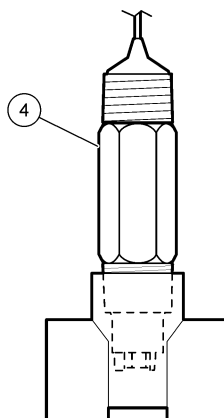
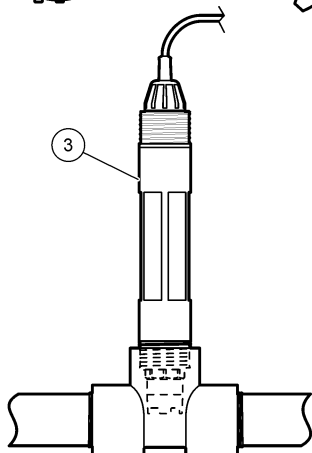
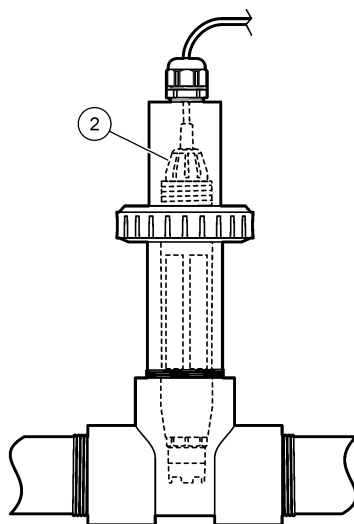
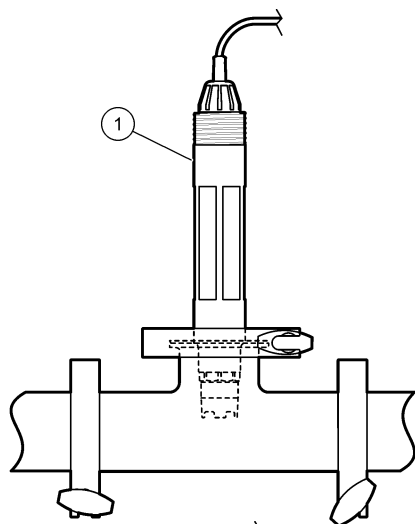
El electrodo de proceso de oro o platino situado en el cabezal del sensor de ORP cuenta con una pieza de cristal (oculta tras el puente salino) que se puede romper. No golpee ni apriete la pieza de cristal.

- Instale el sensor en un lugar donde la muestra que entre en contacto con el sensor sea representativa de todo el proceso.
- Refer to the expanded user manual on the manufacturer's website for the available mounting hardware.
- Consulte las instrucciones suministradas con el kit de montaje para obtener más información sobre la instalación.
- Instale el sensor al menos a 15° sobre la línea horizontal.
- Para instalaciones sumergidas, coloque el sensor a una distancia de al menos 508 mm (20 pulgadas) de la pared en la que se encuentra la balsa de aireación y sumérjala al menos 508 mm (20 pulgadas) en el proceso.
- Retire la tapa protectora del sensor antes de introducirlo en el agua de proceso. Guarde la tapa de protección para usarla posteriormente.
- (Opcional) Si el agua del proceso se acerca a la temperatura de ebullición, añada el gel en polvo² a la solución buffer interna del sensor. Refer to step 2 of [Cambio del puente salino](#) en la página 58. No cambie el puente salino.
- Calibre el sensor antes de usarlo.

For examples of sensors in different applications, refer to [Figura 2](#) and [Figura 3](#).

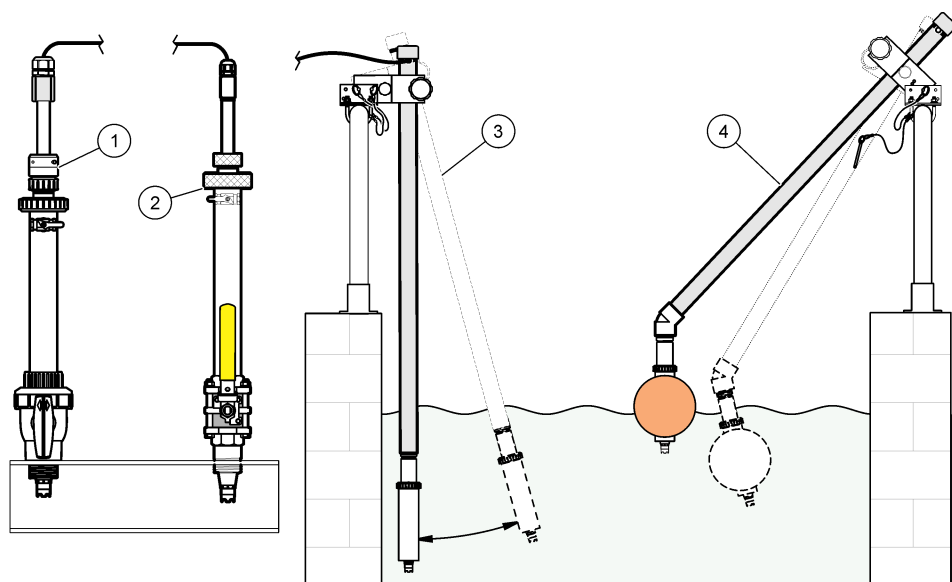
² El gel en polvo disminuye la velocidad de evaporación de la solución buffer interna.

Figura 2 Ejemplos de montaje (1)



1 Montaje sanitario	3 Montaje de flujo directo
2 Montaje de empalme	4 Montaje de flujo directo: sensor LCP

Figura 3 Ejemplos de montaje (2)



1 Montaje de inserción PVS	3 Montaje de inmersión
2 Montaje de inserción	4 Montaje de inmersión, boya flotante

4.2 Conexión del sensor a un controlador SC

Utilice una de las siguientes opciones para conectar el sensor a un controlador SC:

- Conecte el sensor a un gateway digital SC y, seguidamente, conecte el gateway digital SC al controlador SC. El gateway digital convierte la señal analógica del sensor en una señal digital.
- Instale un módulo de sensor en el controlador SC. Seguidamente, conecte el sensor al módulo del sensor. El módulo del sensor convierte la señal analógica del sensor en una señal digital.

Consulte las instrucciones suministradas con el módulo del sensor o el gateway digital SC.

Sección 5 Funcionamiento

5.1 Navegación por los menús

Consulte la documentación del controlador para obtener una descripción de la pantalla táctil e información sobre cómo desplazarse por ella.

5.2 Configuración del sensor

Utilice el menú Configuración para introducir la información de identificación del sensor y para cambiar las opciones para el manejo y almacenamiento de datos.

1. Seleccione el icono del menú principal y, a continuación, seleccione **Dispositivos**. Aparecerá una lista de todos los dispositivos disponibles.
2. Seleccione el sensor y, seguidamente, **Menú del dispositivo > Configuración**.
3. Seleccione una opción.
 - Para los sensores conectados a un módulo de pH/ORP, consulte [Tabla 1](#).

- Para los sensores conectados a un gateway digital SC, consulte [Tabla 2](#).

Tabla 1 Sensores conectados al módulo de pH/ORP

Opción	Descripción
Nombre	Cambia el nombre que corresponde al sensor en la parte superior de la pantalla de medición. El nombre puede contener hasta 16 caracteres en cualquier combinación de letras, números, espacios y signos de puntuación.
N.º serie del sensor	Permite al usuario introducir el número de serie del sensor. El número puede contener hasta 16 caracteres en cualquier combinación de letras, números, espacios y signos de puntuación.
Formato	Para los sensores de pH solamente: cambia la cantidad de posiciones decimales que se pueden ver en la pantalla de medición de XX,XX (configuración predeterminada) o XX,X
Temperatura	Establece las unidades de temperatura en °C (configuración predeterminada) o °F.
Elemento de temperatura	<p>Sensores de pH: configura el elemento de temperatura para la compensación automática de la temperatura en PT100, PT1000 o NTC300 (configuración predeterminada). En caso de no utilizar ningún elemento, el tipo se puede establecer en Manual y se puede introducir un valor para la compensación de la temperatura (configuración predeterminada: 25 °C).</p> <p>Sensores ORP: la compensación de la temperatura no se utiliza. Se puede conectar un elemento de temperatura al controlador para medir la temperatura.</p>
Filtro	Configura una constante de tiempo para incrementar la estabilidad de la señal. La constante de tiempo calcula el valor promedio durante un tiempo determinado: desde 0 (sin efecto, configuración predeterminada) hasta 60 segundos (promedio de valor de la señal para 60 segundos). El filtro incrementa el tiempo de la señal del sensor para responder a los cambios reales del proceso.
Compensación de H2O pura	<p>Solo para sensores de pH: añade una corrección dependiente de la temperatura al valor de pH medido para agua pura con aditivos. Opciones: Ninguno (configuración predeterminada), Amonio, Morfolina o Definido por el usuario.</p> <p>Para temperaturas de proceso por encima de los 50 °C, se utiliza la corrección en 50 °C. Para las aplicaciones definidas por el usuario, se puede introducir una pendiente lineal (configuración predeterminada: 0 pH/°C).</p>
Punto ISO	Solo para sensores de pH: establece el punto isopotencial donde la pendiente de pH es independiente de la temperatura. La mayoría de los sensores tienen un punto isopotencial de 7,00 pH (de forma predeterminada). Sin embargo, los sensores para aplicaciones especiales pueden tener un valor isopotencial diferente.

Tabla 1 Sensores conectados al módulo de pH/ORP (continúa)

Opción	Descripción
Intervalo de registro de datos	Configura el intervalo de tiempo para el almacenamiento de mediciones de sensor y temperatura en el registro de datos: 5, 30 segundos, 1, 2, 5, 10, 15 (configuración predeterminada), 30, 60 minutos.
Restablecer valores predeterminados	Establece los valores predeterminados de fábrica en el menú Configuración y pone a cero los contadores. Se perderá toda la información del sensor.

Tabla 2 Sensores conectados a gateway digital SC

Opción	Descripción
Nombre	Cambia el nombre que corresponde al sensor en la parte superior de la pantalla de medición. El nombre puede contener hasta 12 caracteres en cualquier combinación de letras, números, espacios y signos de puntuación.
Seleccionar sensor	Selecciona el tipo de sensor (pH u ORP).
Formato	Consulte Tabla 1 .
Temperatura	Consulte Tabla 1 .
Intervalo de registro de datos	Configura el intervalo de tiempo para el almacenamiento de mediciones de sensor y temperatura en el registro de datos: 5, 10, 15, 30 segundos, 1, 5, 10, 15 (configuración predeterminada), 30 minutos, 1, 2, 6, 12 horas.
Frecuencia de corriente alterna	Permite seleccionar la frecuencia de la línea de alimentación para obtener la mejor reducción de interferencia. Opciones: 50 o 60 Hz (configuración predeterminada).
Filtro	Consulte Tabla 1 .
Elemento de temperatura	Consulte Tabla 1 .
Seleccionar tampón patrón	Solo para sensores de pH: configura los tampones de pH utilizados para la calibración de corrección automática. Opciones: 4,00, 7,00, 10,00 (configuración predeterminada) o DIN 19267 (pH 1,09; 4,65; 6,79; 9,23; 12,75) <i>Nota: Se pueden utilizar otros tampones si se selecciona la Corrección manual de 2 puntos.</i>
Compensación de H2O pura	Consulte Tabla 1 . También se puede seleccionar una Corrección de matriz de 4 puntos. La Corrección de matriz de 4 puntos consta de métodos de compensación preprogramados en el firmware.

Tabla 2 Sensores conectados a gateway digital SC (continúa)

Opción	Descripción
Última calibración	<p>Establece un recordatorio para la siguiente calibración (configuración predeterminada: 60 días). Aparecerá un recordatorio para calibrar el sensor en la pantalla después del intervalo seleccionado a partir de la fecha de la última calibración.</p> <p>Por ejemplo, si la fecha de la última calibración fue el 15 de junio y la Última calibración se establece en 60 días, aparecerá un recordatorio de calibración en la pantalla el 14 de agosto. Si el sensor se calibra antes del 14 de agosto, el 15 de julio, aparecerá un recordatorio de calibración en la pantalla para el 13 de septiembre.</p>
Días del sensor	<p>Establece un recordatorio para la sustitución del sensor (configuración predeterminada: 365 días). Después del intervalo seleccionado, aparece un recordatorio de sustitución del sensor en la pantalla.</p> <p>El contador de Días del sensor aparece en el menú Diagnóstico/prueba > Contador.</p> <p>Cuando sustituya el sensor, ponga a cero el contador de Días del sensor del menú Diagnóstico/prueba > Contador.</p>
Límites de impedancia	Establece los límites de impedancia alto y bajo para el Electrodo activo y el Electrodo de referencia.
Restablecer configuración	Establece los valores predeterminados de fábrica en el menú Configuración y pone a cero los contadores. Se perderá toda la información del sensor.

5.3 Calibración del sensor

▲ ADVERTENCIA



Peligro de presión de líquido. Extraer un sensor de un recipiente presurizado puede ser peligroso. Reduzca la presión del proceso a menos de 7,25 psi (50 kPa) antes de la extracción. Si esto no es posible, tome todas las precauciones al hacerlo. Consulte la documentación suministrada con el kit de montaje para obtener más información.

▲ ADVERTENCIA



Peligro por exposición química. Respete los procedimientos de seguridad del laboratorio y utilice el equipo de protección personal adecuado para las sustancias químicas que vaya a manipular. Consulte los protocolos de seguridad en las hojas de datos de seguridad actuales (MSDS/SDS).

▲ PRECAUCIÓN



Peligro por exposición a productos químicos. Deshágase de los productos químicos y los residuos de acuerdo con las normativas locales, regionales y nacionales.

5.3.1 Acerca de la calibración del sensor

La calibración regula la lectura del sensor para coincidir con el valor de una o más soluciones de referencia. Las características del sensor cambian lentamente con el tiempo y hacen que pierdan exactitud. El sensor se debe calibrar periódicamente para mantener la exactitud. La frecuencia de calibración varía con la aplicación y la mejor manera de determinarla es mediante la experiencia.

Se utiliza un elemento de temperatura para suministrar lecturas de pH reguladas automáticamente en 25 °C para los cambios de temperatura que afectan el electrodo activo y el de referencia. Si la temperatura del proceso es constante, este ajuste lo puede hacer el cliente de forma manual.

Durante la calibración, los datos no se envían al registro de datos. De este modo, el registro de datos puede tener áreas en las que los datos sean intermitentes.

5.3.2 Cambio de las opciones de calibración

Para sensores conectados a un módulo de pH/ORP, el usuario puede configurar un recordatorio o incluir un identificador de operador con los datos de calibración del menú Opciones de calibración.

Nota: Este procedimiento no es aplicable a los sensores conectados a un gateway digital SC.

1. Seleccione el icono del menú principal y, a continuación, seleccione **Dispositivos**. Aparecerá una lista de todos los dispositivos disponibles.
2. Seleccione el sensor y, seguidamente, **Menú del dispositivo > Calibración**.
3. Seleccione **Opciones de calibración**.
4. Seleccione una opción.

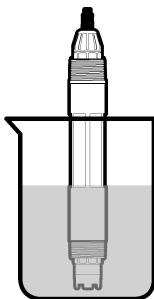
Opción	Descripción
Seleccionar tampón patrón	Solo para sensores de pH: configura los tampones de pH utilizados para la calibración de corrección automática. Opciones: 4,00, 7,00, 10,00 (configuración predeterminada), DIN 19267 (pH 1,09, 4,65, 6,79, 9,23, 12,75) o NIST 4,00, 6,00, 9,00 Nota: Se pueden utilizar otros tampones si se selecciona la Calibración del valor en 2 puntos.
Recordatorio de calibración	Configura un recordatorio para la siguiente calibración (configuración predeterminada: Apagado). Aparecerá un recordatorio para calibrar el sensor en la pantalla después del intervalo seleccionado a partir de la fecha de la última calibración. Por ejemplo, si la fecha de la última calibración fue el 15 de junio y la Última calibración se establece en 60 días, aparecerá un recordatorio de calibración en la pantalla el 14 de agosto. Si el sensor se calibra antes del 14 de agosto, el 15 de julio, aparecerá un recordatorio de calibración en la pantalla para el 13 de septiembre.
ID de operador para calibración	Incluye una identificación del operador con los datos de calibración: Sí o No (configuración predeterminada). La identificación se ingresa durante la calibración.

5.3.3 Procedimiento de calibración de pH

Calibre el sensor de pH con una o dos soluciones de referencia (calibración de 1 punto o 2 puntos). Las soluciones buffer estándar se reconocen automáticamente.

1. Coloque el sensor en la primera solución de referencia (un tampón o una muestra de valor conocido). Asegúrese de que la parte de la sonda que tiene el sensor quede completamente sumergida en el líquido (Figura 4).

Figura 4 Sensor en solución de referencia



2. Espere a que la temperatura del sensor y de la solución sean uniformes. Esto puede demorar 30 minutos o más si la diferencia de temperatura entre la solución del proceso y la solución de referencia es significativa.
3. Seleccione el icono del menú principal y, a continuación, seleccione **Dispositivos**. Aparecerá una lista de todos los dispositivos disponibles.

4. Seleccione el sensor y, seguidamente, **Menú del dispositivo > Calibración.**
5. Seleccione el tipo de calibración:

Opción	Descripción
Calibración con tampón en 1 punto (o Corrección automática de 1 punto)	Utilice un tampón para la calibración (p. ej. pH 7). El sensor identifica el tampón automáticamente durante la calibración. Nota: No olvide seleccionar el set de tampones en el menú Calibración > Opciones de calibración > Seleccionar tampón patrón (o en el menú Configuración > Seleccionar tampón patrón).
Calibración con tampón en 2 puntos (o Corrección automática de 2 puntos)	Utilice dos tampones para la calibración (p. ej. pH 7 y pH 4). El sensor identifica los tampones automáticamente durante la calibración. Nota: No olvide seleccionar el set de tampones en el menú Calibración > Opciones de calibración > Seleccionar tampón patrón (o en el menú Configuración > Seleccionar tampón patrón).
Calibración del valor en 1 punto (o Corrección manual de 1 punto)	Utilice una muestra de un valor conocido (o un tampón) para la calibración. Calcule el valor de pH de la muestra con un instrumento distinto. Introduzca el valor de pH durante la calibración.
Calibración del valor en 2 puntos (o Corrección manual de 2 puntos)	Utilice dos muestras de valores conocidos (o dos tampones) para la calibración. Calcule el pH de las muestras con un instrumento distinto. Introduzca los valores de pH durante la calibración.

6. Seleccione la opción de la señal de salida durante la calibración:

Opción	Descripción
Activo	Durante el proceso de calibración el instrumento envía el valor de medición actual de salida.
Conservar	Durante el proceso de calibración el valor de salida del sensor se mantiene en el valor de medición actual.
Transferencia	Durante la calibración se envía un valor de salida predeterminado. Consulte el manual del usuario del controlador para cambiar el valor predeterminado.

7. Con el sensor en la primer solución de referencia, pulse ACEPTAR. Aparece el valor de la medición.
8. Espere que el valor se estabilice y pulse ACEPTAR.
Nota: Posiblemente la pantalla avance automáticamente al siguiente paso.
9. Si procede, introduzca el valor de pH y pulse ACEPTAR.
Nota: Si la solución de referencia es un tampón, localice el valor de pH para la temperatura del tampón en la botella del tampón. Si la solución de referencia es una muestra, determine el valor de pH de la muestra con un instrumento diferente.
10. Para una calibración de 2 puntos, mida la segunda solución de referencia de la siguiente manera:
 - a. Saque el sensor de la primer solución y enjuague con agua limpia.
 - b. Coloque el sensor en la siguiente solución de referencia y pulse ACEPTAR.
 - c. Espere que el valor se estabilice y pulse ACEPTAR.
Nota: Puede que la pantalla avance automáticamente al próximo paso.
 - d. Si procede, introduzca el valor de pH y pulse ACEPTAR.
11. Revise el resultado de la calibración:
 - "La calibración finalizó correctamente.": el sensor está calibrado y listo para medir muestras. Aparecen los resultados de la pendiente y/o el offset.
 - "Fallo de calibración.": la pendiente o la compensación se encuentran fuera de los límites aceptados. Vuelva a realizar la calibración con soluciones de referencia nuevas. Limpie el sensor si es necesario.

12. Pulse ACEPTAR.

13. Vuelva el sensor al proceso y pulse ACEPTAR.

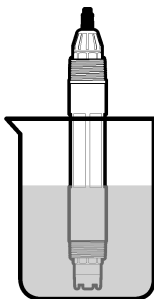
Se vuelve a activar la señal de salida y en la pantalla de medición aparece el valor de medición de la muestra.

5.3.4 Procedimiento de calibración para ORP

Calibre el sensor de pH ORP con una solución de referencia (calibración de 1 punto).

1. Coloque el sensor en la solución de referencia (una solución de referencia o una muestra de valor conocido). Asegúrese de que la parte de la sonda que tiene el sensor quede completamente inmersa en la solución (Figura 5).

Figura 5 Sensor en solución de referencia



2. Seleccione el icono del menú principal y, a continuación, seleccione **Dispositivos**. Aparecerá una lista de todos los dispositivos disponibles.
3. Seleccione el sensor y, seguidamente, **Menú del dispositivo > Calibración**.
4. Seleccione la **Calibración del valor en 1 punto** (o la **Corrección manual de 1 punto**).
5. Seleccione la opción de la señal de salida durante la calibración:

Opción	Descripción
Activo	Durante el proceso de calibración el instrumento envía el valor de medición actual de salida.
Conservar	Durante el proceso de calibración el valor de salida del sensor se mantiene en el valor de medición actual.
Transferencia	Durante la calibración se envía un valor de salida predeterminado. Consulte el manual del usuario del controlador para cambiar el valor predeterminado.

6. Con el sensor en la solución de referencia o muestra, pulse ACEPTAR. Aparece el valor de la medición.
7. Espere que el valor se estabilice y pulse ACEPTAR.
Nota: Posiblemente la pantalla avance automáticamente al siguiente paso.
8. Si se utiliza la muestra para la calibración, mida el valor de ORP de la muestra con un instrumento de verificación auxiliar. Introduzca el valor obtenido en la medición y, a continuación, pulse ACEPTAR.
9. Si se utiliza una solución de referencia para la calibración, introduzca el valor de ORP indicado en la botella. Pulse ACEPTAR.
10. Revise el resultado de la calibración:
 - "La calibración finalizó correctamente.": el sensor está calibrado y listo para medir muestras. Aparecen los resultados de la pendiente y/o el offset.
 - "Fallo de calibración.": la pendiente o la compensación se encuentran fuera de los límites aceptados. Vuelva a realizar la calibración con soluciones de referencia nuevas. Limpie el sensor si es necesario.

11. Pulse ACEPTAR.

12. Vuelva el sensor al proceso y pulse ACEPTAR.

Se vuelve a activar la señal de salida y en la pantalla de medición aparece el valor de medición de la muestra.

5.3.5 Calibración de la temperatura

El instrumento viene calibrado de fábrica para medir la temperatura de forma exacta. Se puede calibrar la temperatura para aumentar la exactitud.

1. Coloque el sensor en un contenedor de agua.
2. Mida la temperatura del agua con un termómetro de exactitud o un instrumento independiente.
3. Seleccione el icono del menú principal y, a continuación, seleccione **Dispositivos**. Aparecerá una lista de todos los dispositivos disponibles.
4. Seleccione el sensor y, seguidamente, **Menú del dispositivo > Calibración**.
5. Para los sensores conectados a un módulo de pH/ORP, siga estos pasos:
 - a. Seleccione **Calibración de 1 punto de la temperatura**.
 - b. Espere hasta que el valor se establezca y pulse ACEPTAR.
 - c. Introduzca el valor exacto y pulse ACEPTAR.
6. Para los sensores conectados a un gateway digital SC, siga estos pasos:
 - a. Seleccione **Ajuste de temperatura**.
 - b. Espere hasta que el valor se establezca y pulse ACEPTAR.
 - c. Seleccione **Editar temperatura**.
 - d. Introduzca el valor exacto y pulse ACEPTAR.
7. Devuelva el sensor al proceso y pulse el botón de inicio.

5.3.6 Salida del procedimiento de calibración

1. Para salir de una calibración, pulse el icono atrás.
2. Seleccione una opción y pulse ACEPTAR (Aceptar).

Opción	Descripción
Salir de la calibración (o Cancelar)	Detiene el proceso de calibración. Se deberá comenzar con una nueva calibración desde el principio.
Volver a la calibración	Vuelve al proceso de calibración.
Salga de la calibración (o Salir)	Sale del proceso de calibración provisionalmente. Se permite el acceso a otros menús. Se puede iniciar la calibración de un segundo sensor (en caso que lo hubiera).

5.3.7 Restablecer la calibración

Se pueden restablecer las opciones predeterminadas de fábrica de la calibración. Se perderá toda la información del sensor.

1. Seleccione el icono del menú principal y, a continuación, seleccione **Dispositivos**. Aparecerá una lista de todos los dispositivos disponibles.
2. Seleccione el sensor y, seguidamente, **Menú del dispositivo > Calibración**.
3. Seleccione **Restablecer valores de calibración predeterminados (o Restablecer configuración)** y, seguidamente, ACEPTAR.
4. Vuelva a pulsar ACEPTAR.

5.4 Mediciones de impedancia

Para aumentar la fiabilidad del sistema de medición de pH, el controlador determina la impedancia de los electrodos de vidrio. La medición se toma cada minuto. Durante el diagnóstico, la lectura de la medición de pH quedará en espera durante cinco segundos. Si aparece un mensaje de error, consulte [Lista de errores](#) en la página 62 para obtener información detallada.

Para activar/desactivar la medición de impedancia del sensor:

1. Seleccione el icono del menú principal y, a continuación, seleccione **Dispositivos**. Aparecerá una lista de todos los dispositivos disponibles.
2. Seleccione el dispositivo y, seguidamente, **Menú del dispositivo > Diagnóstico/prueba**.
3. Para los sensores conectados a un módulo de pH/ORP, seleccione **Estado de impedancia**.
4. Para los sensores conectados a un gateway digital SC, seleccione **Señales > Estado de impedancia**.
5. Seleccione **Activado** o **Deshabilitado** y pulse ACEPTAR.

Para consultar las lecturas de impedancia del electrodo activo y de referencia, seleccione **Señales del sensor** (o **Señales**) y pulse ACEPTAR.

5.5 Registros de Modbus

Está disponible una lista de registros Modbus para comunicación en red. Consulte la página web del fabricante para obtener más información.

Sección 6 Mantenimiento

⚠ ADVERTENCIA



Peligros diversos. Solo el personal cualificado debe realizar las tareas descritas en esta sección del documento.

⚠ ADVERTENCIA



Peligro de explosión. No conecte o desconecte el instrumento a menos que se sepa que el entorno no es peligroso. Consulte la documentación del controlador de Clase 1, División 2 para obtener instrucciones sobre la ubicación peligrosa.

⚠ ADVERTENCIA



Peligro de presión de líquido. Extraer un sensor de un recipiente presurizado puede ser peligroso. Reduzca la presión del proceso a menos de 7,25 psi (50 kPa) antes de la extracción. Si esto no es posible, tome todas las precauciones al hacerlo. Consulte la documentación suministrada con el kit de montaje para obtener más información.

⚠ ADVERTENCIA



Peligro por exposición química. Respete los procedimientos de seguridad del laboratorio y utilice el equipo de protección personal adecuado para las sustancias químicas que vaya a manipular. Consulte los protocolos de seguridad en las hojas de datos de seguridad actuales (MSDS/SDS).

⚠ PRECAUCIÓN



Peligro por exposición a productos químicos. Deshágase de los productos químicos y los residuos de acuerdo con las normativas locales, regionales y nacionales.

6.1 Programa de mantenimiento

Tabla 3 muestra el cronograma de recomendado para las tareas de mantenimiento. Los requerimientos de la instalación y las condiciones de operación pueden aumentar la frecuencia de algunas tareas.

Tabla 3 Programa de mantenimiento

Tarea de mantenimiento	1 año	Según sea necesario
Limpieza del sensor en la página 58		X
Cambio del puente salino en la página 58	X	
Calibración del sensor en la página 52	Dispuesto por los organismos reguladores o por la experiencia	

6.2 Limpieza del sensor

Requisito previo: Prepare una solución jabonosa suave con un detergente no abrasivo que no contenga lanolina. La lanolina deja una película sobre la superficie del electrodo que puede degradar el rendimiento del sensor.

Revise periódicamente el sensor en busca de residuos y sedimentos. Limpie el sensor cuando haya sedimentos acumulados o cuando el rendimiento haya disminuido.

1. Saque los residuos sueltos del extremo del sensor con un paño limpio de tela suave. Enjuague el sensor con agua limpia y tibia.
2. Ponga en remojo el sensor durante 2 o 3 minutos en la solución jabonosa.
3. Cepille todo el extremo de medición del sensor con un cepillo de cerdas suaves.
4. Si los residuos no salen, sumerja el extremo de medición del sensor en una solución ácida diluida como, por ejemplo, < 5% HCl durante 5 minutos como máximo.
5. Enjuague el sensor con agua y luego vuélvalo a colocar en la solución jabonosa durante 2 a 3 minutos.
6. Enjuague el sensor con agua limpia.

Nota: Es posible que los sensores con electrodos de antimonio para aplicaciones HF necesiten una mejor limpieza. Póngase en contacto con el servicio de asistencia técnica.

Calibre siempre el sensor después de realizar los procedimientos de mantenimiento.

6.3 Cambio del puente salino

Sustituya el puente salino y la solución buffer interna en intervalos de 1 año o cuando la calibración falla después de limpiar el sensor.

Nota: Dispone de un vídeo que muestra cómo sustituir el puente salino en www.Hach.com. Visite la página web donde se muestra el puente salino y haga clic en la pestaña vídeo.

Material necesario:

- Llave inglesa ajustable
- Pinzas de gran tamaño
- Puente salino
- Solución buffer interna
- Gel en polvo³, ¼ cucharadita

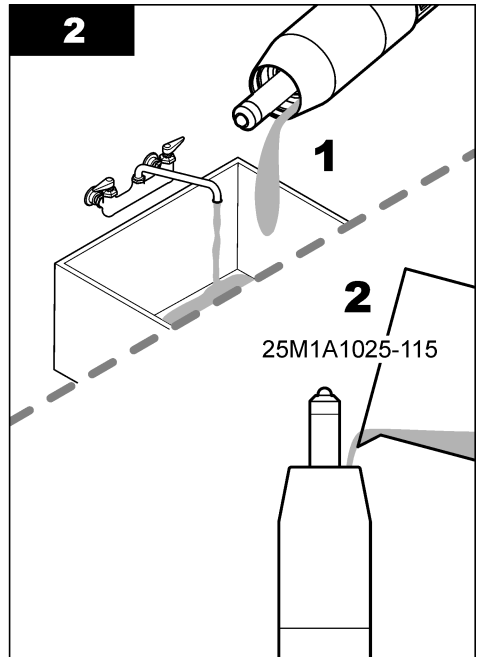
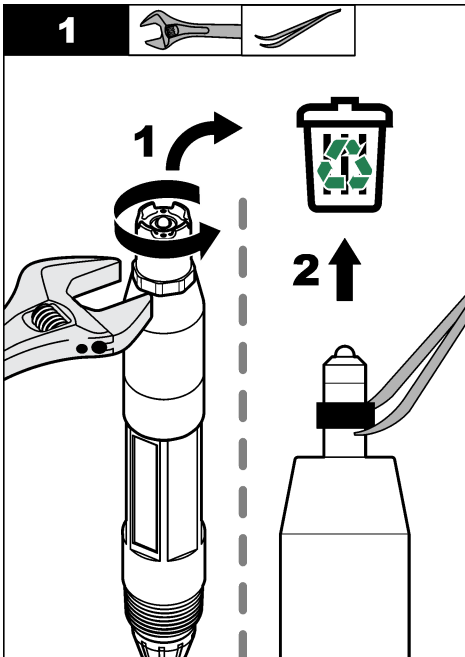
1. Limpie el sensor. Consulte [Limpieza del sensor](#) en la página 58.
2. Sustituya el puente salino y la solución buffer interna. Consulte los pasos que se muestran en las siguientes ilustraciones.

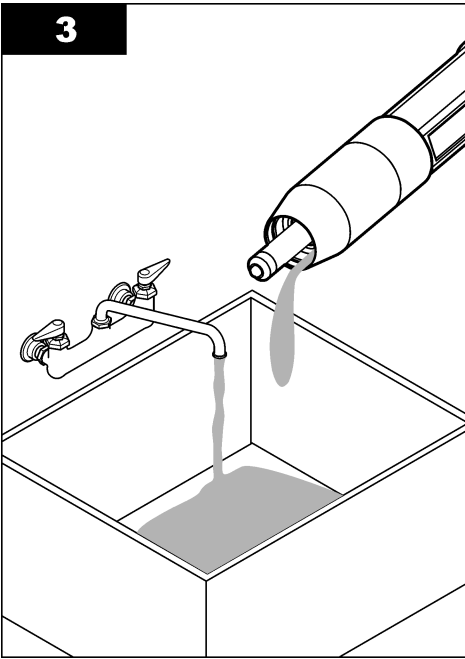
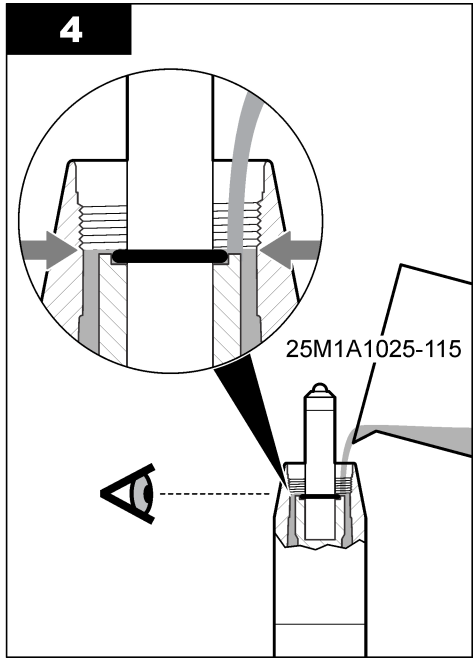
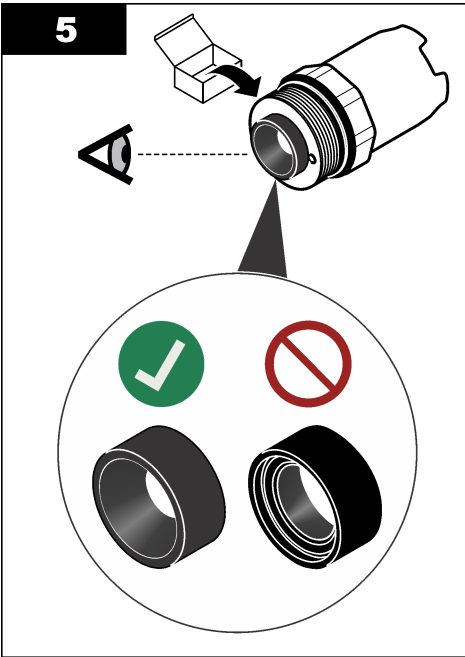
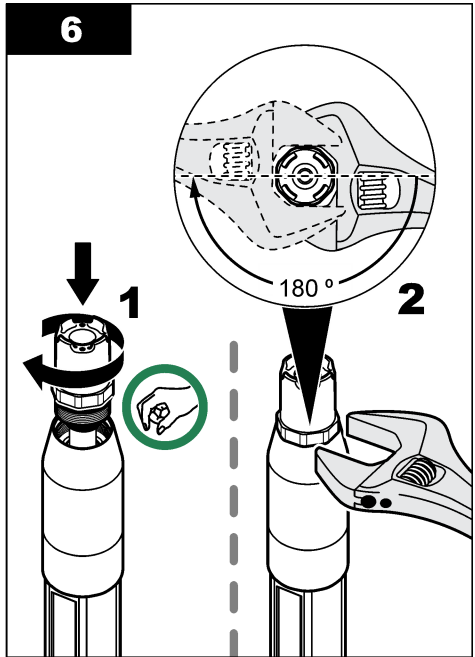
³ (Opcional) Añada gel en polvo a la solución buffer interna si el agua del proceso está cerca de la temperatura de ebullición. El gel en polvo disminuye la velocidad de evaporación de la solución buffer interna.

Si el depósito para la solución buffer interna contiene gel (no es habitual), utilice un chorro de agua de un dispositivo tipo Water Pik para retirar el gel antiguo como se ilustra en el paso 2. (Opcional) Si el agua del proceso está cerca de la temperatura de ebullición, añada gel en polvo a la nueva solución buffer interna como se ilustra en el paso 4:

- a. Vierta 1 tapón de botella (1/8 cucharadita) de gel en polvo en el depósito para la solución buffer interna.
- b. Vierta una pequeña cantidad de solución buffer interna nueva en el depósito.
- c. Mézclela con el polvo hasta que la solución se espese.
- d. Añada pequeñas cantidades de solución y mézclela hasta que el nivel de gel esté en la parte inferior de las roscas del puente salino.
- e. Controle el nivel correcto de gel colocando y sacando el puente salino nuevo. Toda la impresión del puente salino debe estar en la superficie de gel.

3. Calibre el sensor.



3**4****5****6**

6.4 Preparación para el almacenamiento

Para almacenarlo a corto plazo (cuando el sensor se encuentra fuera del proceso más de una hora), llene la tapa protectora con un tampón de pH 4 o agua destilada y vuelva a colocarla en el sensor. Mantenga el electrodo de proceso y el puente salino de unión de referencia húmedos para evitar una respuesta lenta cuando vuelva a funcionar el sensor.

Para un almacenamiento prolongado, repita el procedimiento de almacenamiento a corto plazo cada 2 a 4 semanas, dependiendo de las condiciones medioambientales. Consulte [Especificaciones](#) en la página 44 para obtener información sobre los límites de la temperatura de almacenamiento.

Sección 7 Solución de problemas

7.1 Datos intermitentes

Durante la calibración, los datos no se envían al registro de datos. De este modo, el registro de datos puede tener áreas en las que los datos sean intermitentes.

7.2 Prueba del sensor de pH

Requisitos previos: Dos buffer de pH y un multímetro.

En caso que una calibración no salga bien, primero realice los procedimientos de mantenimiento indicados en [Mantenimiento](#) en la página 57.

1. Coloque el sensor en una solución buffer de pH 7 y espere que la temperatura del mismo y la temperatura del buffer alcancen la temperatura ambiente.
2. Desconecte los cables rojo, verde, amarillo y negro del sensor del módulo o el gateway digital.
3. Mida la resistencia entre los cables amarillo y negro para verificar el funcionamiento del elemento de temperatura. La resistencia debe ser de entre 250 y 350 ohmios a aproximadamente 25 °C. Si el elemento de temperatura está bien, vuelva a conectar al módulo el cable amarillo y el negro.
4. Mida los mV de la CC con el conductor (+) del multímetro conectado al cable rojo y el conductor (-) conectado al cable verde. La lectura debe encontrarse entre los -50 y +50 mV. En caso que la lectura se encuentre fuera de estos límites, limpie el sensor y cambie el puente salino y la solución de cubeta estándar.
5. Con el multímetro todavía conectado de la misma manera, enjuague el sensor con agua y colóquelo en una solución buffer de pH 4 o pH 10. Espere a que la temperatura del sensor y la del tampón alcancen la temperatura ambiente.
6. Compare la lectura de mV del buffer de pH 4 o 10 con la lectura del buffer de pH 7. La lectura debe tener una diferencia de aproximadamente 160 mV. En caso que la diferencia sea menor a 160 mV, póngase en contacto con la asistencia técnica.

7.3 Prueba del sensor ORP

Requisitos previos: solución de referencia ORP de 200 mV, multímetro.

En caso que una calibración no salga bien, primero realice los procedimientos de mantenimiento indicados en [Mantenimiento](#) en la página 57.

1. Coloque el sensor en una solución de referencia de 200 mV y espere a que la temperatura del mismo y la temperatura de la solución alcancen la temperatura ambiente.
2. Desconecte los cables rojo, verde, amarillo y negro del sensor del módulo o el gateway digital.
3. Mida la resistencia entre los cables amarillo y negro para verificar el funcionamiento del elemento de temperatura. La resistencia debe ser de entre 250 y 350 ohmios a aproximadamente 25 °C. Si el elemento de temperatura está bien, vuelva a conectar al módulo el cable amarillo y el negro.
4. Mida los mV de la CC con el conductor (+) del multímetro conectado al cable rojo y el conductor (-) conectado al cable verde. La lectura debe encontrarse entre los 160 y 240 mV. En caso que la lectura se encuentre fuera de estos límites, póngase en contacto con la asistencia técnica.

7.4 Menú Diagnóstico/prueba

En el menú Diagnóstico/prueba se muestra información actual e histórica del sensor. Consulte [Tabla 4](#). Pulse el icono del menú principal y, a continuación, seleccione **Dispositivos**. Seleccione el dispositivo y, seguidamente, **Menú del dispositivo > Diagnóstico/prueba**.

Tabla 4 Menú Diagnóstico/prueba

Opción	Descripción
Información del módulo	Solo para sensores conectados a un módulo de pH/ORP: muestra la versión y el número de serie del módulo del sensor.
Información del sensor	Para sensores conectados a un módulo de pH/ORP: muestra el nombre del sensor y el número de serie que haya introducido el usuario. Para sensores conectados a un gateway digital SC: se muestra el número de modelo del sensor, el nombre del sensor introducido por el usuario y el número de serie del sensor. Muestra la versión de software y la versión del controlador instalados.
Última calibración	Solo para sensores conectados a un módulo de pH/ORP: muestra el número de días transcurridos desde que se realizó la última calibración.
Historial de calibración	Para sensores conectados a un módulo de pH/ORP: muestra la pendiente de calibración y la fecha de las calibraciones anteriores. Para sensores conectados a un gateway digital SC: se muestra la pendiente de calibración y la fecha de la última calibración.
Restablecer historial de calibración	Solo para sensores conectados a un módulo de pH/ORP; solo para uso por dpto. de Servicio
Estado de impedancia	Solo para sensores de pH; consulte Mediciones de impedancia en la página 57.
Señales del sensor (o Señales)	Solo para sensores de pH conectados a un módulo de pH/ORP: muestra la lectura actual en mV. Para sensores de pH conectados a un gateway digital SC: se muestra la lectura de corriente del momento en mV y las cuentas del convertidor analógico-digital. Si la opción Estado de impedancia está establecido en Activado, se muestran las impedancias del electrodo activo y de referencia.
Días del sensor (o Contador)	Para sensores conectados a un módulo de pH/ORP: muestra el número de días que el sensor ha estado en funcionamiento. Para sensores conectados a un gateway digital SC: se muestra el número de días que el sensor y los electrodos han estado en funcionamiento. El contador de Días del electrodo se pone a cero cuando el firmware detecta que se ha sustituido un electrodo averiado por otro electrodo que funciona correctamente. Para poner a cero el contador de Días del sensor, seleccione Reiniciar . Ponga a cero el contador de Días del sensor cuando sustituya el sensor (o el puente salino).

7.5 Lista de errores

Cuando se produce un error, la lectura en la pantalla de medición parpadea y se retienen todas las salidas si se especifica en el menú CONTROLADOR > Salidas. La pantalla cambia a rojo. En la barra de diagnóstico se muestra el error. Pulse la barra de diagnóstico para mostrar los errores y las advertencias. O bien, pulse el icono del menú principal y, a continuación, seleccione **Notificaciones > Errores**.

A list of possible errors is shown in [Tabla 5](#).

Tabla 5 Lista de errores

Error	Descripción	Resolución
El valor de pH es demasiado alto.	La medición del pH es >14.	Calibre o cambie el sensor.
El valor de ORP es demasiado alto.	La medición del ORP es > 2100 mV.	
El valor de pH es demasiado bajo.	La medición del pH es <0.	Calibre o cambie el sensor.
El valor de ORP es demasiado bajo.	La medición del ORP es <-2100 mV.	
Valor de compensación muy alto.	El offset es >9 (pH) o 200 mV (ORP).	Siga los procedimientos de mantenimiento del sensor y luego repita la calibración o cámbielo.
Valor de compensación muy bajo.	La compensación es <5 (pH) o -200 mV (ORP).	
Pendiente muy alta.	La pendiente es >62 (pH)/1,3 (ORP).	Repita la calibración con una muestra o un buffer fresco o cambie el sensor.
Pendiente muy baja.	La pendiente es <50 (pH)/0,7 (ORP).	Limpie el sensor, luego repita la calibración o cambie el sensor.
La temperatura es demasiado alta.	La medición de la temperatura es >130 °C.	Asegúrese de haber seleccionado el elemento de temperatura apropiado.
La temperatura es demasiado baja.	La medición de la temperatura es <-10 °C.	
La diferencia entre los tampones es demasiado pequeña.	Los tampones de la corrección automática de 2 puntos tienen el mismo valor.	Complete the steps in Prueba del sensor de pH en la página 61.
Falta el sensor.	El sensor no está instalado o está desconectado.	Examine el cableado y las conexiones del sensor y del módulo (o el gateway digital).
Falta el sensor de temperatura.	No se detecta un sensor de temperatura.	Revise el cableado del sensor de temperatura. Asegúrese de haber seleccionado el elemento de temperatura apropiado.
Impedancia de vidrio muy baja.	La bombilla de vidrio se ha averiado o fundido.	Sustituya el sensor. Póngase en contacto con el servicio de asistencia técnica.

7.6 Lista de advertencias

Las advertencias no afectan al funcionamiento de los menús, los relés y las salidas. La pantalla cambia a color ámbar. En la barra de diagnóstico se muestra la advertencia. Pulse la barra de diagnóstico para mostrar los errores y las advertencias. O bien, pulse el icono del menú principal y, a continuación, seleccione **Notificaciones > Advertencias**.

A list of possible warnings is shown in [Tabla 6](#).

Tabla 6 Lista de advertencias

Advertencia	Descripción	Resolución
pH muy alto.	La medición del pH es >13.	Calibre o cambie el sensor.
El valor de ORP es muy alto.	La medición del ORP es >2100 mV.	

Tabla 6 Lista de advertencias (continúa)

Advertencia	Descripción	Resolución
pH muy bajo.	La medición del pH es <1.	Calibre o cambie el sensor.
El valor de ORP es muy bajo.	La medición del ORP es <-2100 mV.	
Valor de compensación muy alto.	El offset es >8 (pH) o 200 mV (ORP).	Siga los procedimientos de mantenimiento del sensor y vuelva a realizar la calibración.
Valor de compensación muy bajo.	El offset es < 6 (pH) o -200 mV (ORP).	
Pendiente muy alta.	La pendiente es >60 (pH)/1,3 (ORP).	Vuelva a realizar la calibración con un buffer nuevo o una muestra nueva.
Pendiente muy baja.	La pendiente es <54 (pH)/0,7 (ORP).	Limpie del sensor y vuelva a realizar la calibración.
Temperatura muy baja.	La temperatura obtenida en la medición es >100 °C	Asegúrese de utilizar el elemento de temperatura apropiado.
Temperatura muy baja.	La medición de la temperatura es <0 °C.	
La temperatura está fuera de rango.	La temperatura obtenida en la medición es >100 °C o <0 °C.	
La calibración ha vencido.	Se ha superado el tiempo del recordatorio de calibración.	Calibre el sensor.
El dispositivo no está calibrado.	El sensor no está calibrado.	Calibre el sensor.
Sustituya un sensor.	El valor del contador de Días del sensor es superior al intervalo seleccionado para la sustitución del sensor. Consulte Configuración del sensor en la página 49.	Sustituya el sensor (o el puente salino). Ponga a cero el contador de Días del sensor en el menú Diagnóstico/prueba > Reiniciar o el menú Diagnóstico/prueba > Contador.
Calibración en curso...	La calibración ha iniciado pero aún no ha terminado.	Volver a la calibración.
La temperatura no está calibrada.	El sensor de temperatura no está calibrado.	Efectúe una calibración de la temperatura.

Índice

- | | | | |
|---|-------------------------------------|---|-----------------------------------|
| 1 | Informações adicionais na página 65 | 5 | Operação na página 70 |
| 2 | Especificações na página 65 | 6 | Manutenção na página 77 |
| 3 | Informações gerais na página 66 | 7 | Solução de problemas na página 81 |
| 4 | Instalação na página 68 | | |

Seção 1 Informações adicionais

Um manual completo do usuário está disponível no site do fabricante.

Seção 2 Especificações

As especificações estão sujeitas a alteração sem aviso prévio.

O produto tem apenas as aprovações listadas e os registros, certificados e declarações oficialmente fornecidos com o produto. A utilização deste produto numa aplicação para a qual não é permitido não é aprovada pelo fabricante.

Especificação	Detalhes
Dimensões (altura/diâmetro)	pHD: 271 mm (10,7 pol.)/35 mm (1,4 pol.); 1 pol. NPT; LCP (polímero de cristal líquido): 187 mm (7,35 pol.)/51 mm (2 pol.); 1-½ pol. NPT
Peso	316 g (11 oz)
Grau de poluição	2
Capacidade de sobrecarga	I
Classe de proteção	III
Altitude	Máximo de 2.000 m (6.562 pés)
Temperatura de operação	5 a 105 °C (23 a 221 °F)
Temperatura de armazenamento	4 °C a 70 °C (40 a 158 °F), 0 a 95% de umidade relativa, sem condensação
Materiais molhados	Corpo de sulfeto de polifenileno (PVDF) em PEEK ou PPS, eletrodo de processo de vidro, eletrodo de aterramento de titânio e anéis o-ring FKM/FPM Observação: O sensor de pH com eletrodo de processo de vidro resistente a HF opcional tem 316 eletrodos de aterramento de aço inoxidável e O-rings umedecidos com perfluoroelastômero.
Faixa de medição	Sensor de pH: -2 a 14 pH ¹ (ou 2,00 a 14,00) Sensor de ORP: -1.500 a +1.500 mV
Cabo do sensor	pHD: cabo com 5 condutores (mais 2 blindagens), 6 m (20 pés); LCP: cabo com 5 condutores (mais 1 blindagem), 3 m (10 pés)
Componentes	Materiais resistentes à corrosão, totalmente submersível
Resolução	Sensor de pH: ±0,01 pH Sensor de ORP: ±0,5 mV
Taxa de fluxo máximo	No máximo 3 m/s (10 pés/s)
Limite de pressão	6,9 bar a 105 °C (100 psi a 221 °F)
Distância de transmissão	No máximo 100 m (328 pés) No máximo 1.000 m (3.280 pés) com caixa de terminação

¹ A maioria das aplicações de pH estão na faixa de pH de 2,5 a 12,5. O sensor de pH diferencial da pHD com o eletrodo de processo de vidro amplo funciona muito bem nessa faixa. Algumas aplicações industriais requerem a medição e o controle precisos abaixo do pH 2 ou acima do pH 12. Nesses casos especiais, entre em contato com o fabricante para obter mais detalhes.

Especificação	Detalhes
Elemento de temperatura	Termistor NTC de 300 Ω para a compensação automática da temperatura e para a leitura da temperatura no analisador
Compensação de temperatura	3
Métodos de calibração	Automática ou manual de 1 ou 2 pontos
Interface do sensor	Modbus RTU do gateway digital SC ou módulo pH/ORP
Certificações	Listado pela ETL (EUA/Canadá) para uso na Classe 1, Divisão 2, Grupos A, B, C, D, Código de temperatura T4 - Locais perigosos com controlador Hach SC. Em conformidade com: CE, UKCA, FCC, ISED, ACMA, KC, CMIM, NM

Seção 3 Informações gerais

Em hipótese alguma o fabricante será responsável por danos resultantes de qualquer uso inadequado do produto ou não cumprimento das instruções contidas no manual. O fabricante reserva-se o direito de fazer alterações neste manual e nos produtos aqui descritos a qualquer momento, sem aviso ou obrigação. As edições revisadas podem ser encontradas no site do fabricante.

3.1 Informações de segurança

O fabricante não é responsável por quaisquer danos devido ao uso ou aplicação incorreta deste produto, incluindo, sem limitação, danos diretos, acidentais ou consequenciais, e se isenta desses danos à extensão total permitida pela lei aplicável. O usuário é unicamente responsável por identificar riscos críticos de aplicação e por instalar os mecanismos apropriados para proteger os processos durante um possível mau funcionamento do equipamento.

Leia todo o manual antes de tirar da embalagem, montar ou operar esse equipamento. Preste atenção a todas as declarações de perigo e cuidado. Caso contrário, o operador poderá sofrer ferimentos graves ou o equipamento poderá ser danificado.

Certifique-se de que a proteção oferecida por este equipamento não seja afetada. Não use nem instale este equipamento de nenhuma outra forma além da especificada neste manual.

3.1.1 Uso de informações de risco

▲ PERIGO
Indica uma situação potencial ou iminentemente perigosa que, se não for evitada, resultará em morte ou lesão grave.



▲ ADVERTÊNCIA
Indica uma situação potencialmente perigosa que, se não for evitada, pode resultar em morte ou ferimento grave.

▲ CUIDADO
Indica uma situação potencialmente perigosa que pode resultar em ferimento leve a moderado.

AVISO
Indica uma situação que, se não evitada, pode causar danos ao instrumento. Informações que necessitam de uma ênfase especial.

3.1.2 Etiquetas de precaução

Leia todas as etiquetas e rótulos fixados no instrumento. Caso não sejam observados, podem ocorrer lesões pessoais ou danos ao instrumento. Um símbolo no instrumento tem sua referência no manual com uma medida preventiva.

	<p>Este símbolo, se observado no instrumento, diz respeito ao manual de instruções para operação e/ou informações de segurança.</p>
	<p>O equipamento elétrico marcado com este símbolo não pode ser descartado em sistemas de descarte público ou doméstico europeus. Devolva equipamentos antigos ou no final da vida útil para o fabricante para descarte, sem custo adicional para o usuário.</p>

3.2 Visão geral do produto

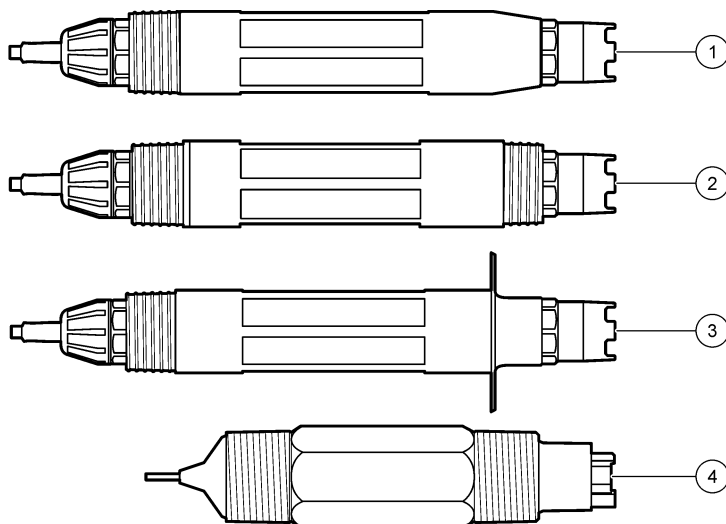
Este sensor foi projetado para funcionar com um controlador para a operação e armazenamento de dados. É possível usar controladores diferentes neste sensor. Este documento presume a instalação e uso do sensor com um Controlador SC4500. Para usar o sensor com outros controladores, consulte o manual do usuário para saber o controlador que é usado.

Equipamentos opcionais, como hardware de montagem do sensor, são fornecidos com instruções de instalação. Várias opções de montagem estão disponíveis, o que permite que o sensor seja adaptado para uso em diversas aplicações.

3.3 Estilos de sensor

O sensor está disponível em estilos diferentes. Consulte [Figura 1](#).

Figura 1 Estilos de sensor



<p>1 Inserção—permite a remoção sem parar o fluxo do processo</p>	<p>3 Sanitário - para a instalação em um T sanitário de 2 polegadas</p>
<p>2 Convertível—para um tubo em T ou imersão em um recipiente aberto</p>	<p>4 Convertível—Tipo de LCP</p>

Seção 4 Instalação

4.1 Montagem

⚠ ADVERTÊNCIA



Perigo de explosão. Para instalação em locais perigosos (classificados), consulte as instruções e desenhos de controle na documentação do controlador Classe 1, Divisão 2 Instale o sensor de acordo com os códigos locais, regionais e nacionais. Não conecte ou desconecte o instrumento, a menos que se saiba que o ambiente não é perigoso.

⚠ ADVERTÊNCIA



Perigo de explosão. Certifique-se de que o hardware de montagem do sensor tenha uma classificação de temperatura e pressão suficiente para o local de montagem.

⚠ CUIDADO



Risco de lesão corporal. Vidro quebrado pode causar cortes. Utilize ferramentas e equipamento de proteção pessoal para remover o vidro quebrado.

AVISO

O eletrodo possui um sensor de pH de vidro, em sua extremidade, que pode se quebrar. Não bata nem empurre a lâmpada.

AVISO

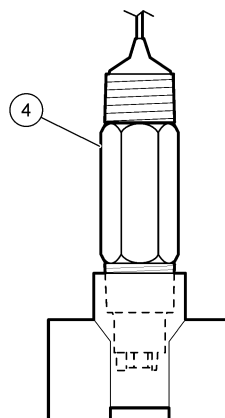
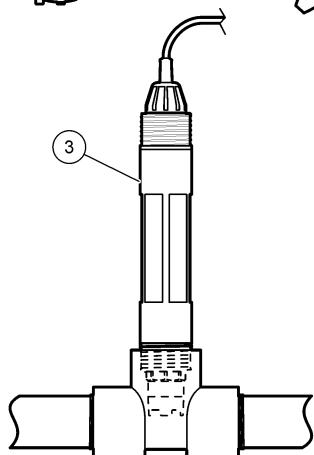
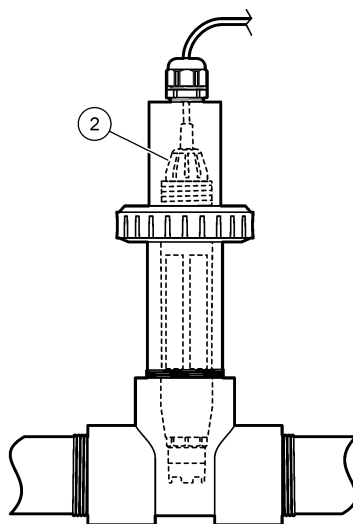
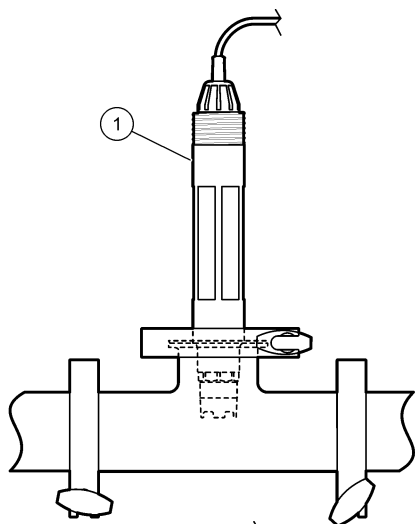
O eletrodo de processo de ouro ou platina na ponta do sensor de ORP tem uma haste de vidro (oculta pela ponte salina), que pode se quebrar. Não bata nem empurre a haste de vidro.

- Instale o sensor onde a amostra em contato com o processo seja representativa do processo inteiro.
- Refer to the expanded user manual on the manufacturer's website for the available mounting hardware.
- Consulte as instruções fornecidas com o hardware de montagem para obter informações sobre instalação.
- Instale o sensor pelo menos 15° acima do plano horizontal.
- Para instalações de imersão, coloque o sensor a pelo menos 508 mm (20 pol.) da parede da bacia de aeração e mergulhe o sensor a pelo menos 508 mm (20 pol.) no processo.
- Remova a tampa protetora antes de colocar o sensor na água do processo. Guarde a tampa de proteção para usá-la posteriormente.
- (Opcional) Se a água de processo estiver perto da temperatura de ebulição, adicione o gel em pó² à solução de células padrão no sensor. Refer to step 2 of [Substituir a ponte salina](#) na página 79. Não substitua a ponte salina.
- Calibre o sensor antes de usar.

For examples of sensors in different applications, refer to [Figura 2](#) and [Figura 3](#).

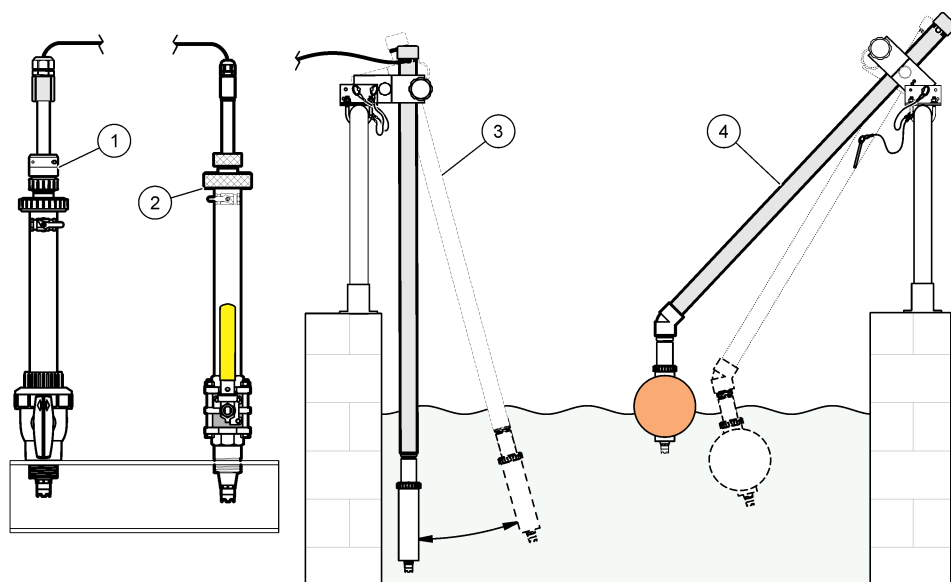
² O gel em pó diminui a taxa de evaporação da solução de células padrão.

Figura 2 Exemplos de montagem (1)



1 Montagem sanitária	3 Montagem através de fluxo
2 Montagem por união	4 Montagem através de fluxo—sensor LCP

Figura 3 Exemplos de montagem (2)



1 Montagem por inserção de PVS	3 Montagem por imersão
2 Montagem por inserção	4 Montagem por imersão, flutuação da bola

4.2 Conectar o sensor a um Controlador SC

Use uma das opções a seguir para conectar o sensor a um Controlador SC:

- Conecte o sensor a um gateway SC digital. Em seguida, conecte o gateway digital SC ao Controlador SC. O gateway digital converte o sinal analógico do sensor em um sinal digital.
- Instale um módulo do sensor no Controlador SC. Em seguida, conecte o sensor ao módulo. O módulo do sensor converte o sinal analógico do sensor para um sinal digital.

Consulte as instruções fornecidas com o módulo do sensor ou do gateway digital SC.

Seção 5 Operação

5.1 Navegação do usuário

Consulte a documentação do controlador para obter uma descrição da tela de toque e informações de navegação.

5.2 Configurar o sensor

Use o menu Definições para inserir as informações de identificação do sensor, e para alterar as opções de armazenamento e manuseio dos dados.

1. Selecione o ícone do menu principal e, em seguida, selecione **Dispositivos**. Você verá uma lista com todos os dispositivos disponíveis.
2. Selecione o sensor e, em seguida, selecione **Menu do dispositivo > Definições**.
3. Selecione uma opção.
 - Consulte [Tabela 1](#) para ver detalhes dos sensores conectados a um módulo pH/ORP.

- Consulte [Tabela 2](#) para ver detalhes dos sensores conectados a um gateway digital SC.

Tabela 1 Sensores conectados ao módulo pH/ORP

Opção	Descrição
Nome	Altera o nome que corresponde ao sensor no topo da tela de medição. O nome é limitado a 16 caracteres com qualquer combinação de letras, números, espaços ou pontuação.
N/S do sensor	Permite que o usuário insira o número de série do sensor. O número de série é limitado a 16 caracteres com qualquer combinação de letras, números, espaços ou pontuação.
Formato	Somente para sensores de pH: altera o número de casas decimais que são mostradas na tela de medição para XX.XX (padrão) ou XX.X
Temperatura	Define a unidade de temperatura para °C (padrão) ou °F.
Elemento de temperatura	Sensores de pH: definem o elemento da temperatura para compensação de temperatura automática para PT100, PT1000 ou NTC300 (padrão). Se nenhum elemento for utilizado, é possível definir o tipo para Manual e inserir um valor para a compensação da temperatura (padrão: 25 °C). Sensores de ORP: a compensação da temperatura não é usada. É possível conectar um elemento de temperatura ao controlador para medição da temperatura.
Filtro	Define uma constante de tempo para incrementar a estabilidade do sinal. A constante de tempo calcula o valor médio durante o tempo especificado - 0 (nenhum efeito, padrão) para 60 segundos (média do valor do sinal para 60 segundos). O filtro incrementa o tempo de resposta do sinal do sensor para responder às alterações atuais no processo.
Compensação de H2O pura	Apenas para sensores de pH: adiciona uma correção dependente de temperatura ao valor de pH medido para água pura com aditivos. Opções: Nenhum (padrão), Amônia, Morfolina ou Definido pelo utilizador. Para temperaturas de processo maiores que 50 °C, é usada a correção a 50 °C. Para aplicações definidas pelo usuário, pode ser digitada uma inclinação linear (padrão: 0 pH/°C).
Ponto ISO	Apenas para sensores de pH: define o ponto isopotencial onde a inclinação do pH é independente da temperatura. A maioria dos sensores tem um ponto isopotencial de 7,00 pH (padrão). No entanto, sensores usados em aplicações especiais podem ter um valor isopotencial diferente.
Intervalo do registrador de dados	Define o intervalo de tempo para armazenamento de medição de sensor e temperatura no registro de dados: 5, 30 segundos, 1, 2, 5, 10, 15 (padrão), 30, 60 minutos.
Repor os valores predefinidos	Define o menu de Definições aos padrões de fábrica e restaura os contadores. Todas as informações do sensor serão perdidas.

Tabela 2 Sensores conectados ao gateway digital SC

Opção	Descrição
Nome	Altera o nome que corresponde ao sensor no topo da tela de medição. O nome é limitado a 12 caracteres com qualquer combinação de letras, números, espaços ou pontuação.
Selecionar um sensor	Selecione o tipo de sensor (pH ou ORP).ORP
Formato	Consulte Tabela 1 .
Temperatura	Consulte Tabela 1 .
Intervalo do registrador de dados	Define o intervalo de tempo para armazenamento de medição de sensor e temperatura no registro de dados: 5, 10, 15, 30 segundos, 1, 5, 10, 15 (padrão), 30 minutos, 1, 2, 6, 12 horas.
Frequência da corrente alternada	Seleciona a frequência da linha de alimentação para obter a melhor rejeição de ruído. Opções: 50 ou 60 Hz (padrão).
Filtro	Consulte Tabela 1 .
Elemento de temperatura	Consulte Tabela 1 .
Selecionar padrão de solução tampão	Apenas para sensores de pH: define os tampões de pH usados para a calibração de correção automática. Opções: 4.00, 7.00, 10.00 (definido como padrão) ou DIN 19267 (pH 1.09, 4.65, 6.79, 9.23, 12.75) <i>Observação: É possível usar outros tampões se a Correção manual de 2 pontos estiver selecionada para calibração.</i>
Compensação de H2O pura	Consulte Tabela 1 . Também é possível selecionar a Correção de matriz de 4 pontos. A Correção de matriz de 4 pontos é um método de compensação pré-programado no firmware.
Última calibração	Define um lembrete para a próxima calibração (padrão: 60 dias). Um lembrete para calibrar o sensor aparece na tela após o intervalo selecionado a partir da data da última calibração. Por exemplo, se a data da última calibração for 15 de junho e a Última calibração estiver definida para 60 dias, um lembrete de calibração será exibido na tela em 14 de agosto. Se o sensor for calibrado antes de 14 de agosto, em 15 de julho, um lembrete de calibração será exibido na tela em 13 de setembro.
Dias do sensor	Define um lembrete para a substituição do sensor (padrão: 365 dias). Um lembrete para substituir o sensor aparece na tela após a seleção do intervalo. O contador Dias do sensor aparece no menu Diagnóstico/Teste > Contador. Quando o sensor for substituído, redefina o contador Dias do sensor no menu Diagnóstico/Teste > Contador.
Limites de impedância	Define os limites superior e inferior de impedância do Elétrodo ativo e do Elétrodo de referência.
Repor configuração	Define o menu de Definições aos padrões de fábrica e restaura os contadores. Todas as informações do sensor serão perdidas.

5.3 Calibrar o sensor

⚠ ADVERTÊNCIA



Perigo de pressão do fluido A remoção do sensor de um compartimento pressurizado pode ser perigosa. Antes de fazer a remoção, reduza a pressão do processo para menos de 7,25 psi (50 kPa). Se isso não for possível, tenha muito cuidado. Consulte a documentação fornecida com o hardware de montagem para obter mais informações.

⚠ ADVERTÊNCIA



Risco de exposição a produtos químicos. Obedeça aos procedimentos de segurança laboratoriais e use todos os equipamentos de proteção individual adequados aos produtos químicos que estão sendo manipulados. Consulte as planilhas de dados de segurança (MSDS/SDS) atuais para verificar os protocolos de segurança.

⚠ CUIDADO



Risco de exposição a produtos químicos. Descarte produtos químicos e dejetos de acordo com as regulamentações locais, regionais e nacionais.

5.3.1 Acerca da calibração do sensor

A calibração ajusta a leitura do sensor para corresponder ao valor de uma ou mais soluções de referência. As características do sensor se alteram lentamente com o passar do tempo e provocam perda de precisão do sensor. O sensor precisa ser calibrado regularmente para a precisão ser mantida. A frequência da calibração varia com a aplicação e deve ser determinada pela experiência.

Um elemento de temperatura é usado para fornecer leituras de pH que são ajustadas automaticamente para 25 °C para alterações da temperatura, que afetam o eletrodo de referência e ativo. Este ajuste pode ser definido manualmente pelo cliente se a temperatura do processo for constante.

Durante a calibragem, os dados não são enviados para o registro de dados. Dessa forma, o registro de dados pode ter áreas nas quais os dados são intermitentes.

5.3.2 Alterar as opções de calibração

Para sensores conectados a um módulo de pH/ORP, o usuário pode definir um lembrete ou incluir uma ID de operador com os dados de calibração do menu Opções de calibração.

Observação: Este procedimento não deve ser usado em sensores conectados a um gateway digital SC.

1. Selecione o ícone do menu principal e, em seguida, selecione **Dispositivos**. Você verá uma lista com todos os dispositivos disponíveis.
2. Selecione o sensor e, em seguida, selecione **Menu do dispositivo > Calibração**.
3. Selecione **Opções de calibração**.
4. Selecione uma opção.

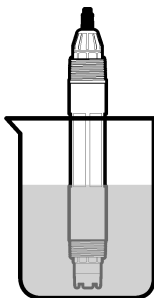
Opção	Descrição
Selecionar padrão de solução tampão	Apenas para sensores de pH: define os tampões de pH usados para a calibração de correção automática. Opções: 4.00, 7.00, 10.00 (definido como padrão), DIN 19267 (pH 1.09, 4.65, 6.79, 9.23, 12.75) ou NIST 4.00, 6.00, 9.00 Observação: É possível usar outros buffers se a Calibração do valor de 2 pontos estiver selecionada para calibração.
Lembrete de calibração	Define um lembrete para a próxima calibração (padrão: Desligado). Um lembrete para calibrar o sensor aparece na tela após o intervalo selecionado a partir da data da última calibração. Por exemplo, se a data da última calibração for 15 de junho e a Última calibração estiver definida para 60 dias, um lembrete de calibração será exibido na tela em 14 de agosto. Se o sensor for calibrado antes de 14 de agosto, em 15 de julho, um lembrete de calibração será exibido na tela em 13 de setembro.
ID do operador para calibração	Inclui uma ID de operador com dados da calibração — Sim ou Não (padrão). A ID é digitada durante a calibração.

5.3.3 Procedimento de calibração de pH

Calibre o sensor de pH com uma ou duas soluções de referência (calibração de 1 ponto ou 2 pontos). As soluções tampão padrão são reconhecidas automaticamente.

1. Coloque o sensor na primeira solução de referência (uma solução tampão ou amostra de valor conhecido). Certifique-se de que a parte do sensor da sonda esteja totalmente imerso no líquido (). [Figura 4](#)

Figura 4 Sensor na solução de referência



2. Aguarde até que a temperatura do sensor e da solução igualem. Isso pode demorar até 30 minutos, ou mais, se a diferença da temperatura entre a solução de referência e o processo for significativa.
3. Selecione o ícone do menu principal e, em seguida, selecione **Dispositivos**. Você verá uma lista com todos os dispositivos disponíveis.
4. Selecione o sensor e, em seguida, selecione **Menu do dispositivo > Calibração**.
5. Selecione o tipo da calibração:

Opção	Descrição
Calibração da solução tampão de 1 ponto (ou Correção automática de 1 ponto).	Use uma solução tampão para calibração (por exemplo, pH 7). O sensor identifica automaticamente a solução tampão durante a calibração. Observação: <i>Certifique-se de selecionar o tampão definido no menu Calibração > Opções de calibração > Selecionar padrão de solução tampão (ou no menu Definições > Selecionar padrão de solução tampão).</i>
Calibração da solução tampão de 2 pontos (ou Correção automática de 2 pontos).	Use duas soluções tampão para a calibração (por exemplo, pH 7 e pH 4). O sensor identifica automaticamente as soluções tampão durante a calibração. Observação: <i>Certifique-se de selecionar o tampão definido no menu Calibração > Opções de calibração > Selecionar padrão de solução tampão (ou no menu Definições > Selecionar padrão de solução tampão).</i>
Calibração do valor de 1 ponto (ou Correção manual de 1 ponto).	Utilize uma amostra de valor conhecido (ou um tampão) para a calibração. Determine o valor de pH da amostra com um outro instrumento. Insira o valor do pH durante a calibração.
Calibração do valor de 2 pontos (ou Correção manual de 2 pontos).	Use duas amostras de valor conhecido (ou dois tampões) para a calibração. Determine o valor de pH das amostras com um outro instrumento. Insira os valores de pH durante a calibração.

6. Selecione a opção para o sinal de saída durante a calibração:

Opção	Descrição
Ativo	O instrumento envia para a saída o valor medido atual durante o procedimento de calibração.

Opção	Descrição
Manter	O valor de saída é mantido no valor medido no início do processo de calibração.
Transferir	Um valor de saída pré-definido é enviado para a saída durante a calibração. Consulte o manual do usuário para alterar o valor pré-definido.

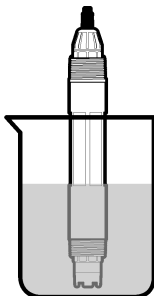
7. Com o sensor na primeira solução de referência, pressione OK.
O valor medido é mostrado.
8. Aguarde que o valor estabilize e pressione OK.
Observação: A tela pode avançar para a etapa seguinte automaticamente.
9. Se for possível, insira o valor de pH e pressione OK.
Observação: Se a solução de referência for uma solução tampão, encontre o valor do pH no frasco da solução tampão para a temperatura da solução tampão. Se a solução de referência for uma amostra, determine o valor de pH da amostra com um instrumento diferente.
10. Para uma calibração de 2 pontos, meça a segunda solução de referência da seguinte maneira:
 - a. Retire o sensor da primeira solução e enxágue com água limpa.
 - b. Coloque o sensor na solução de referência seguinte e pressione OK.
 - c. Aguarde que o valor estabilize e pressione OK.
Observação: A tela pode avançar para a etapa seguinte automaticamente.
 - d. Se for possível, insira o valor de pH e pressione OK.
11. Revise o resultado da calibração:
 - "A calibração foi concluída com sucesso.": o sensor está calibrado e pronto para medir amostras. Os valores da inclinação (slope) e/ou deslocamento (offset) são mostrados.
 - "A calibração falhou.": a inclinação ou desvio da calibração está fora dos limites aceitos. Repita a calibração com novas soluções de referência. Limpe o sensor, se necessário.
12. Pressione OK.OK
13. Retome o processo do sensor e pressione OK.
O sinal de saída retorna ao estado ativo e o valor da amostra medida aparece na tela de medição.

5.3.4 Procedimento da calibragem ORP

Calibre o sensor de ORP com uma solução de referência (calibração de 1 ponto).

1. Coloque o sensor na solução de referência (uma solução de referência ou amostra de valor conhecido). Certifique-se de que a parte do sensor da sonda esteja totalmente imerso na solução (Figura 5).

Figura 5 Sensor na solução de referência



2. Selecione o ícone do menu principal e, em seguida, selecione **Dispositivos**. Você verá uma lista com todos os dispositivos disponíveis.

3. Selecione o sensor e, em seguida, selecione **Menu do dispositivo > Calibração**.
4. Selecione **Calibração do valor de 1 ponto** (ou **Correção manual de 1 ponto**).
5. Selecione a opção para o sinal de saída durante a calibração:

Opção	Descrição
Ativo	O instrumento envia para a saída o valor medido atual durante o procedimento de calibração.
Manter	O valor de saída é mantido no valor medido no início do processo de calibração.
Transferir	Um valor de saída pré-definido é enviado para a saída durante a calibração. Consulte o manual do usuário para alterar o valor pré-definido.

6. Com o sensor na solução de referência ou amostra, pressione OK.
O valor medido é mostrado.
7. Aguarde que o valor estabilize e pressione OK.
Observação: A tela pode avançar para a etapa seguinte automaticamente.
8. Se for usar uma amostra na calibração, meça o valor de ORP da amostra com um instrumento de verificação secundário. Insira o valor medido e aperte OK.
9. Se for usar uma solução de referência na calibração, insira o valor de ORP marcado no frasco.
Pressione OK.OK
10. Revise o resultado da calibração:
 - "A calibração foi concluída com sucesso.": o sensor está calibrado e pronto para medir amostras. Os valores da inclinação (slope) e/ou deslocamento (offset) são mostrados.
 - "A calibração falhou.": a inclinação ou desvio da calibração está fora dos limites aceitos. Repita a calibração com novas soluções de referência. Limpe o sensor, se necessário.
11. Pressione OK.OK
12. Retome o processo do sensor e pressione OK.
O sinal de saída retorna ao estado ativo e o valor da amostra medida aparece na tela de medição.

5.3.5 Calibração de temperatura

O instrumento é calibrado na fábrica para garantir medidas precisas de temperatura. A temperatura pode ser calibrada para melhorar a precisão.

1. Coloque o sensor em um recipiente de água.
2. Meça a temperatura da água com um termômetro preciso ou instrumento independente.
3. Selecione o ícone do menu principal e, em seguida, selecione **Dispositivos**. Você verá uma lista com todos os dispositivos disponíveis.
4. Selecione o sensor e, em seguida, selecione **Menu do dispositivo > Calibração**.
5. Para sensores conectados a um módulo pH/ORP, siga as etapas a seguir:
 - a. Selecione **Calibração de temperatura de 1 ponto**.
 - b. Aguarde o valor se estabilizar e pressione OK.
 - c. Insira o valor exato e pressione OK.
6. Para sensores conectados a um gateway digital SC, siga as etapas a seguir:
 - a. Selecione **Ajuste da temperatura**.
 - b. Aguarde o valor se estabilizar e pressione OK.
 - c. Selecione **Editar temperatura**.
 - d. Insira o valor exato e pressione OK.
7. Retome o processo do sensor e pressione o ícone de início.

5.3.6 Sair do procedimento de calibração

1. Para encerrar uma calibração, pressione o ícone de retorno.
2. Selecione uma opção e, em seguida, pressione OK.

Opção	Descrição
Sair da calibração (ou Cancelar)	Interrompe a calibração. Uma nova calibração precisa ser reiniciada.
Voltar à calibração	Retornar à calibração.
Abandonar a calibração (ou Sair)	Sair temporariamente da calibração. O acesso a outros menus é permitido. Uma calibração para um segundo sensor (se presente) pode ser iniciada.

5.3.7 Reajuste a calibragem

A calibração pode ser restaurada aos padrões de fábrica. Todas as informações do sensor serão perdidas.

1. Selecione o ícone do menu principal e, em seguida, selecione **Dispositivos**. Você verá uma lista com todos os dispositivos disponíveis.
2. Selecione o sensor e, em seguida, selecione **Menu do dispositivo > Calibração**.
3. Selecione **Repor os valores de calibração predefinidos** (ou **Repor configuração**), e pressione OK.
4. Pressione OK novamente.

5.4 Medições de impedância

Para aumentar a confiabilidade do sistema de medição de pH, o controlador determina a impedância dos eletrodos de vidro. Essa medição é realizada a cada minuto. Durante o diagnóstico, a leitura de medição de pH permanecerá em espera durante 5 segundos. Se uma mensagem de erro for exibida, consulte [Lista de erros](#) na página 83 para obter mais detalhes.

Para ativar ou desativar a medição de impedância do sensor:

1. Selecione o ícone do menu principal e, em seguida, selecione **Dispositivos**. Você verá uma lista com todos os dispositivos disponíveis.
2. Escolha o dispositivo e selecione **Menu do dispositivo > Diagnóstico/Teste**.
3. Para sensores conectados a um módulo pH/ORP, selecione **Estado de impedância**.
4. Para sensores conectados a um gateway digital SC, selecione **Sinais > Estado de impedância**.
5. Selecione **Ativado** ou **Desativado** e pressione OK.

Para ver as leituras de impedância do eletrodo ativo e de referência, selecione **Sinais do sensor** (ou **Sinais**) e pressione OK.

5.5 Registradores Modbus

Uma lista de registradores Modbus está disponível para comunicação em rede. Consulte o website do fabricante para obter mais informações.

Seção 6 Manutenção

⚠ ADVERTÊNCIA



Vários perigos. Somente pessoal qualificado deve realizar as tarefas descritas nesta seção do manual.

⚠ ADVERTÊNCIA



Perigo de explosão. Não ligar ou desligar o instrumento, a menos que se saiba que o ambiente não é perigoso. Consultar a documentação do controlador Classe 1, Divisão 2 para instruções de localização perigosa.

⚠ ADVERTÊNCIA



Perigo de pressão do fluido A remoção do sensor de um compartimento pressurizado pode ser perigosa. Antes de fazer a remoção, reduza a pressão do processo para menos de 7,25 psi (50 kPa). Se isso não for possível, tenha muito cuidado. Consulte a documentação fornecida com o hardware de montagem para obter mais informações.

⚠ ADVERTÊNCIA



Risco de exposição a produtos químicos. Obedeça aos procedimentos de segurança laboratoriais e use todos os equipamentos de proteção individual adequados aos produtos químicos que estão sendo manipulados. Consulte as planilhas de dados de segurança (MSDS/SDS) atuais para verificar os protocolos de segurança.

⚠ CUIDADO



Risco de exposição a produtos químicos. Descarte produtos químicos e detritos de acordo com as regulamentações locais, regionais e nacionais.

6.1 Rotina de manutenção

A [Tabela 3](#) mostra o cronograma recomendado de tarefas de manutenção. Os requisitos da instalação e as condições operacionais podem aumentar a frequência de algumas tarefas.

Tabela 3 Rotina de manutenção

Tarefa de manutenção	1 ano	Conforme necessário
Limpar o sensor na página 78		X
Substituir a ponte salina na página 79	X	
Calibrar o sensor na página 73	Definido pela experiência ou agências de regulamentação	

6.2 Limpar o sensor

Pré-requisito: Prepare uma solução de limpeza suave com um detergente não abrasivo para lavar loiça que não contenha lanolina. A lanolina deixa uma película na superfície do eletrodo que pode degradar o desempenho do sensor.

Examine periodicamente o sensor para ver se há quaisquer eventuais detritos ou materiais depositados. Limpe o sensor quando houver acúmulo de detritos ou quando o desempenho tiver sido prejudicado ou avariado.

1. Use um pano limpo e macio para remover os detritos soltos da extremidade do sensor. Enxágue o sensor com água limpa e morna.
2. Mergulhe o sensor por 2 a 3 minutos na solução de limpeza.
3. Use uma escova macia para escovar toda a extremidade de medição do sensor.
4. Se existirem detritos restantes, mergulhe a extremidade da medição do sensor em uma solução de ácido diluído, como < 5% HCl durante um máximo de 5 minutos.
5. Enxágue o sensor com água e, então, o coloque de novo na solução de limpeza durante 2 a 3 minutos.
6. Enxágue o sensor com água limpa.

Observação: Os sensores com elétrodos de antimônio para aplicações HF podem requerer limpeza adicional. Entre em contato com o suporte técnico.

Sempre calibre o sensor após os procedimentos de manutenção.

6.3 Substituir a ponte salina

Substitua a ponte salina e a solução de células padrão em intervalos de 1 ano ou quando a calibração falhar após o sensor ter sido limpo.

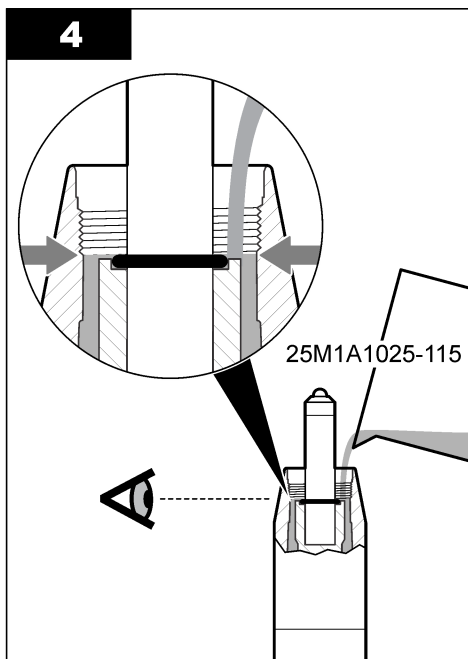
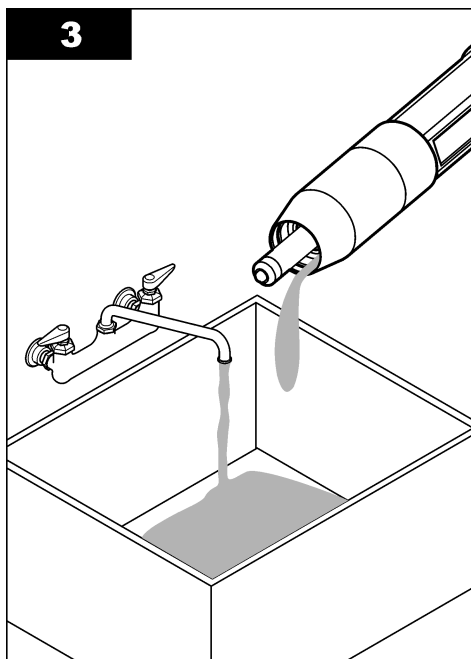
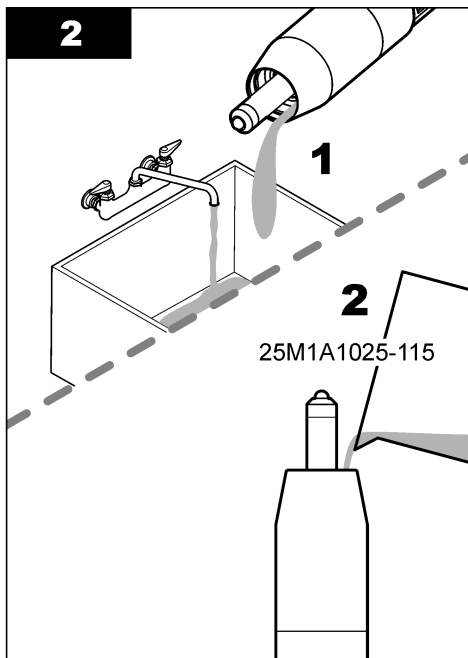
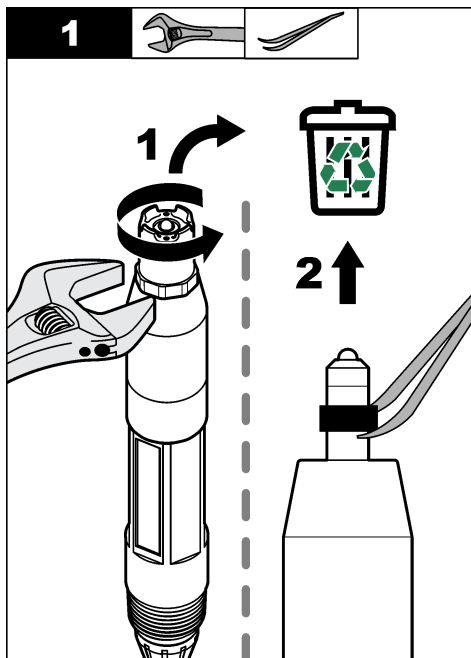
Observação: Um vídeo que mostra como substituir a ponte salina está disponível em www.Hach.com. Vá para a página da Web da ponte salina e clique na guia Video (Vídeo).

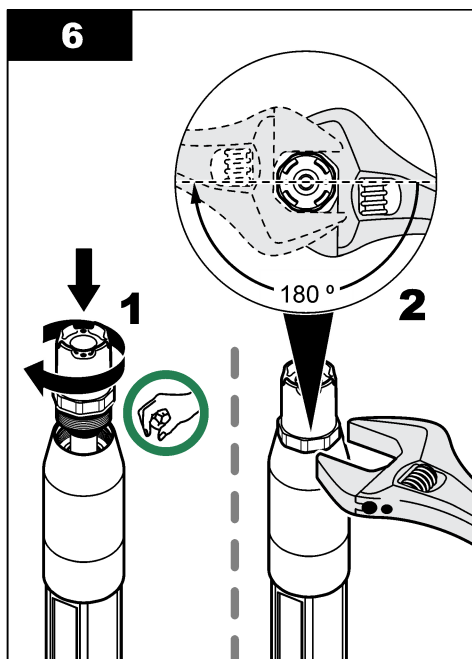
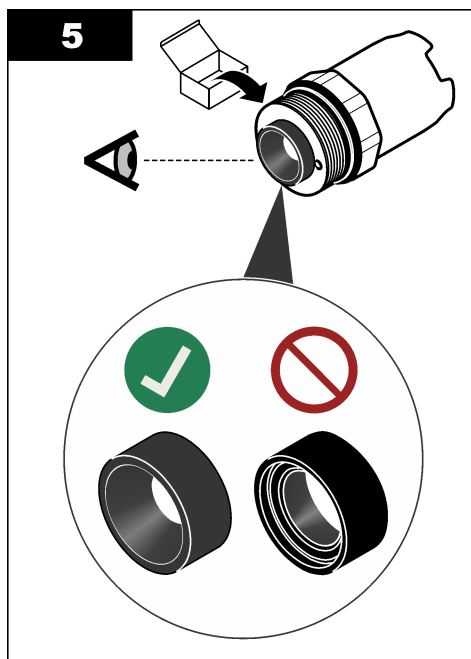
Ferramentas necessárias:

- Chave inglesa ajustável
- Pinças grandes
- Ponte salina
- Solução de célula padrão
- Gel em pó³, 1/8 colher de chá

1. Limpar o sensor. Consulte [Limpar o sensor](#) na página 78.
2. Substitua a ponte salina e a solução de células padrão. Consulte as etapas ilustradas a seguir.
Se o reservatório para a solução de células padrão tiver um gel (não habitual), use um jato de água a partir de um dispositivo do tipo water pik para remover o gel antigo na etapa 2 ilustrada. (Opcional) Se a água de processo estiver perto da temperatura de ebulição, adicione o gel em pó à nova solução de célula padrão na etapa 4 ilustrada a seguir:
 - a. Despeje 1 tampa medidora do frasco (1/8 colher de chá) de gel em pó no reservatório para a solução de células padrão.
 - b. Coloque uma pequena quantidade da nova solução de células padrão no reservatório.
 - c. Misture o pó até a solução se tornar grossa.
 - d. Adicione pequenas quantidades de solução e misture até que o gel fique na parte inferior das roscas da ponte salina.
 - e. Verifique o nível correto do gel, instalando e removendo a nova ponte salina. Uma impressão da ponte salina deve permanecer na superfície do gel.
3. Calibre o sensor.

³ (Opcional) Adicione o gel em pó à solução de células padrão se a água do processo estiver perto da temperatura de ebulição. O gel em pó diminui a taxa de evaporação da solução de células padrão.





6.4 Preparo para armazenamento

Para armazenamento por um curto período de tempo (quando o sensor estiver fora do processo por mais de uma hora), preencha a capa de proteção com tampão pH 4 ou água destilada e coloque a tampa novamente no sensor. Mantenha o eletrodo e a ponte salina úmidos para evitar lentidão de resposta quando o sensor retornar ao processo.

Para armazenamento por um longo período de tempo, repita o procedimento de armazenamento acima no intervalo de 2-4 semanas, dependendo das condições ambientais. Consulte [Especificações](#) na página 65 para ver os limites de armazenamento de temperatura.

Seção 7 Solução de problemas

7.1 Dados intermitentes

Durante a calibragem, os dados não são enviados para o registro de dados. Dessa forma, o registro de dados pode ter áreas nas quais os dados são intermitentes.

7.2 Testar o sensor de pH

Pré-requisitos: Duas soluções tampão de pH e um multímetro.

Se uma calibração falhar, complete primeiramente os procedimentos de manutenção em [Manutenção](#) na página 77.

1. Coloque o sensor em uma solução tampão de pH 7 e aguarde até que a temperatura do sensor e da solução tampão atinjam a temperatura da sala.
2. Desconecte, do módulo ou do gateway digital, os fios vermelho, verde, amarelo e preto do sensor.
3. Efetue a medição da resistência entre os fios amarelo e preto, para verificar a operação do elemento da temperatura. A resistência deve ser entre 250 e 350 ohms, a aproximadamente 25 °C.
Se o elemento da temperatura estiver OK, reconecte os fios amarelo e preto no módulo.

- Meça o DC mV com o terminal (+) do multímetro conectado no fio vermelho e com o terminal (-) conectado no fio verde. A leitura deve ser entre -50 e + 50 mV.
Se a leitura estiver fora destes limites, limpe o sensor e altere a ponte salina e a solução de células padrão.
- Com o multímetro ainda conectado do mesmo modo, enxágüe o sensor com água e coloque em uma solução tampão de pH 4 ou pH 10. Aguarde que a temperatura do sensor e da solução tampão atinjam a temperatura da sala.
- Compare a leitura de mV na solução tampão de pH 4 ou 10 com a leitura na solução tampão de pH 7. A leitura deve diferir em, aproximadamente, 160 mV.
Entre em contato com o suporte técnico se a diferença for inferior a 160 mV.

7.3 Testar o sensor ORP

Pré-requisitos: solução de referência ORP de 200 mV, multímetro.

Se uma calibragem falhar, complete primeiro os procedimentos de manutenção em [Manutenção](#) na página 77.

- Coloque o sensor em uma solução de referência de 200 mV e aguarde que a temperatura do sensor e da solução atinjam a temperatura da sala.
- Desconecte, do módulo ou do gateway digital, os fios vermelho, verde, amarelo e preto do sensor.
- Efetue a medição da resistência entre os fios amarelo e preto, para verificar a operação do elemento da temperatura. A resistência deve ser entre 250 e 350 ohms, a aproximadamente 25 °C.
Se o elemento da temperatura estiver OK, reconecte os fios amarelo e preto no módulo.
- Meça o DC mV com o terminal (+) do multímetro conectado no fio vermelho e com o terminal (-) conectado no fio verde. A leitura deve ser entre 160 e 240 mV.
Se a leitura estiver fora destes limites, contate o suporte técnico.

7.4 Menu Diagnóstico/Teste

O menu Diagnóstico/Teste exibe as informações atuais e históricas do analisador. Consulte [Tabela 4](#). Pressione o ícone do menu principal e selecione **Dispositivos**. Escolha o dispositivo e selecione **Menu do dispositivo > Diagnóstico/Teste**.

Tabela 4 Menu Diagnóstico/Teste

Opção	Descrição
Informação do módulo	Apenas para sensores conectados a um módulo pH/ORP: mostra a versão e o número de série do módulo do sensor.
Informações do sensor	Para sensores conectados a um módulo pH/ORP: mostra o nome e número de série do sensor, inseridos pelo usuário. Para sensores conectados a um gateway digital SC: mostra o nome, número do modelo e número de série do sensor, inseridos pelo usuário. Mostra a versão do software e do driver instalados.
Última calibração	Apenas para sensores conectados a um módulo pH/ORP: mostra o número de dias desde a conclusão da última calibração.
Histórico de calibrações	Para sensores conectados a um módulo pH/ORP: mostra o desvio de calibração e data das últimas calibrações. Para sensores conectados a um gateway digital SC: mostra o desvio de calibração e data da última calibração.
Repor histórico de calibração	Apenas para sensores conectados a um módulo pH/ORP: apenas para uso da assistência técnica
Estado de impedância	Apenas para sensores de pH: Consulte Medições de impedância na página 77.

Tabela 4 Menu Diagnóstico/Teste (continuação)

Opção	Descrição
Sinais do sensor (ou Sinais)	<p>Apenas para sensores de pH conectados a um módulo pH/ORP: mostra a leitura atual, em mV.</p> <p>Para sensores de pH conectados a um gateway digital SC: mostra a leitura atual em mV e os contadores do conversor analógico digital.</p> <p>Se Estado de impedância estiver definido como Ativado, mostra as impedâncias dos eletrodos ativo e de referência.</p>
Dias do sensor (ou Contador)	<p>Para sensores conectados a um módulo pH/ORP: mostra o número de dias de operação do sensor.</p> <p>Para sensores conectados a um gateway digital SC: mostra o número de dias de operação do sensor e dos eletrodos. O contador de Dias do eletrodo é restaurado para zero quando o firmware identifica que um eletrodo defeituoso foi substituído por um em funcionamento.</p> <p>Para restaurar o contador de Dias do sensor para zero, selecione Repor.</p> <p>Restaurar o contador de Dias do sensor ao substituir o sensor (ou ponte salina).</p>

7.5 Lista de erros

Quando ocorre um erro, a leitura da tela de medição pisca e todas as saídas são interrompidas quando especificado no menu CONTROLADOR > Saídas. A tela fica vermelha. A barra de diagnóstico mostra o erro. Pressione a barra de diagnóstico para ver os erros e avisos. Como alternativa, pressione o ícone do menu principal e selecione **Notificações > Erros**.

A list of possible errors is shown in [Tabela 5](#).

Tabela 5 Lista de erros

Erro	Descrição	Resolução
O valor de pH é demasiado elevado!	O pH medido é > 14.	Calibre ou substitua o sensor.
O valor de ORP é demasiado elevado!	O valor de ORP medido é > 2.100 mV.	
O valor de pH é demasiado baixo!	O pH medido é < 0.	Calibre ou substitua o sensor.
O valor de ORP é demasiado baixo!	O valor de ORP medido é < -2100 mV.	
O valor de desvio é demasiado alto.	O deslocamento é > 9 (pH) ou 200 mV (ORP).	Siga os procedimentos de manutenção para o sensor e, então, repita a calibração ou substitua o sensor.
O valor de desvio é demasiado baixo.	O deslocamento é < 5 (pH) ou -200 mV (ORP).	
O declive é demasiado elevado.	A inclinação é > 62 (pH)/1,3 (ORP).	Repita a calibração com uma amostra ou solução tampão nova, ou substitua o sensor.
O declive é demasiado baixo.	A inclinação é < 50 (pH)/0,7 (ORP).	Limpe o sensor e, então, repita a calibração ou substitua o sensor.
A temperatura é demasiado elevada!	A temperatura medida é > 130 °C.	Certifique-se de que o elemento de temperatura correto esteja selecionado.
A temperatura é demasiado baixa!	A temperatura medida é < -10 °C.	
A diferença entre as soluções tampão é demasiado pequena!	Os tampões da correção automática de 2 pontos têm o mesmo valor.	Complete the steps in Testar o sensor de pH na página 81.

Tabela 5 Lista de erros (continuação)

Erro	Descrição	Resolução
O sensor está em falta.	O sensor está faltando ou desconectado.	Examine a fiação e as conexões do sensor e do módulo (ou gateway digital).
O sensor de temperatura está em falta!	O sensor de temperatura está faltando.	Examine a fiação do sensor de temperatura. Certifique-se de que o elemento de temperatura correto esteja selecionado.
A impedância do vidro é demasiado baixa.	A lâmpada está quebrada ou alcançou o fim de vida útil.	Substitua o sensor. Entre em contato com o suporte técnico.

7.6 Lista de aviso

Um aviso não afeta a operação dos menus, relês e saídas. A tela muda para a cor âmbar. A barra de diagnóstico mostra o aviso. Pressione a barra de diagnóstico para ver os erros e avisos. Como alternativa, pressione o ícone do menu principal e selecione **Notificações > Avisos**.

A list of possible warnings is shown in [Tabela 6](#).

Tabela 6 Lista de aviso

Advertência	Descrição	Resolução
O pH é demasiado alto.	O pH medido é > 13.	Calibre ou substitua o sensor.
O valor de ORP é demasiado elevado.	O valor de ORP medido é > 2100 mV.	
O pH é demasiado baixo.	O pH medido é < 1.	Calibre ou substitua o sensor.
O valor de ORP é demasiado baixo.	O valor de ORP medido é < -2100 mV.	
O valor de desvio é demasiado alto.	O deslocamento é > 8 (pH) ou 200 mV (ORP).	Siga os procedimentos de manutenção para o sensor e, então, repita a calibração.
O valor de desvio é demasiado baixo.	O deslocamento é < 6 (pH) ou -200 mV (ORP).	
O declive é demasiado elevado.	A inclinação é > 60 (pH)/1,3 (ORP).	Repita a calibração com uma nova solução tampão ou amostra.
O declive é demasiado baixo.	A inclinação é < 54 (pH)/0,7 (ORP).	Limpe o sensor e, então, repita a calibração.
A temperatura é demasiado alta.	A temperatura medida é > 100 °C.	Certifique-se de que o elemento de temperatura correto é usado.
A temperatura é demasiado baixa.	A temperatura medida é < 0 °C.	
A temperatura está fora do intervalo.	A temperatura medida é > 100 °C ou < 0 °C.	
A calibração está em atraso.	O tempo do Lembrete da calibração expirou.	Calibre o sensor.
O dispositivo não está calibrado.	O sensor não foi calibrado.	Calibre o sensor.
Substituir um sensor.	O contador de Dias do sensor é maior que o intervalo definido para substituição do sensor. Consulte Configurar o sensor na página 70.	Substituir o sensor (ou ponte salina). Restaure o contador de Dias do sensor no menu Diagnóstico/Teste > Repor (ou no menu Diagnóstico/Teste > Contador

Tabela 6 Lista de aviso (continuação)

Advertência	Descrição	Resolução
Calibração em curso...	Uma calibração foi iniciada mas não completada.	Retornar à calibração.
A temperatura não está calibrada.	O sensor de temperatura não está calibrado.	Faça a calibração de temperatura.

目录

- 1 附加信息 第 86 页
- 2 规格 第 86 页
- 3 基本信息 第 87 页
- 4 安装 第 88 页
- 5 操作 第 91 页
- 6 维护 第 97 页
- 7 故障排除 第 101 页

第 1 节 附加信息

可以在制造商网站上查看扩充的用户手册。

第 2 节 规格

规格如有更改，恕不另行通知。

该产品只有列出的批准，以及与产品一起正式提供的注册、证书和声明。制造商没有批准在不允许的情况下使用该产品。

规格	详细信息
尺寸（长度/直径）	pHD: 271 mm (10.7 in.)/35 mm (1.4 in.); 1-in. NPT; LCP（液晶聚合物）: 187 mm (7.35 in.)/51 mm (2 in.); 1-½ in. NPT
重量	316 g (11 oz)
污染等级	2
过电压类别	I
保护等级	III
海拔	最高 2000 m (6562 ft)
操作温度	5 至 105 °C（23 至 221 °F）
储存温度	4 至 70 °C（40 至 158 °F），0 至 95% 相对湿度，无冷凝
过流材料	PEEK 或 PPS 硫化聚苯醚 (PVDF) 主体、玻璃工艺电极、接地钛电极和 FKM/FPM O 型圈密封 注： 对于选装了耐 HF 玻璃工艺电极的 pH 传感器，则配有 316 不锈钢接地电极和全氟橡胶浸渍 O 型圈。
测量范围	pH 传感器: -2 至 14 pH ¹ （或 2.00 至 14.00） ORP 传感器: -1500 至 +1500 mV
传感器电缆	pHD: 5 个导体（外加 2 个防护罩），6 m (20 ft); LCP: 5 个导体（外加 1 个防护罩），3 m (10 ft)
部件	防腐蚀材料，全浸式
分辨率	pH 传感器: ±0.01 pH ORP 传感器: ±0.5 mV
最大流速	最大 3 m/s (10 ft/s)
压力限制	105 °C 下 6.9 巴（221 °F 下 100 psi）
传输距离	最远 100 m (328 ft) 与接线盒配合使用时最远 1000 m (3280 ft)
温度元件	NTC 300 Ω 热敏电阻，用于自动补偿温度和分析仪读取温度

¹ 在大多数 pH 应用中，pH 范围为 2.5 至 12.5。配有大量程玻璃工艺电极的 pHD 差分 pH 传感器在此范围内运行良好。某些工业应用要求准确测量和控制低于 2 或高于 12 的 pH 值。对于这些特殊情况，请联系制造商了解更多详情。

规格	详细信息
温度补偿	通过 NTC 300 Ω 热敏电阻、Pt 1000 Ω RTD 或 Pt 100 Ω RTD 温度元件在 -10 至 105 °C (14.0 至 221 °F) 范围内自动补偿, 或者手动固定在用户输入的温度下
校准方法	1 点或 2 点自动或手动
传感器接口	来自 sc 数字网关或 pH/ORP 模块的 Modbus RTU
认证	Hach SC 控制器适用于 ETL (美国 / 加拿大) 规定的类别 1, 第 2 子类, A、B、C、D 组和温度代码为 T4 的危险场所。 获得下述认证: CE、UKCA、FCC、ISED、ACMA、KC、CMIM、NM

第 3 节 基本信息

在任何情况下, 对于因产品使用不当或未能遵守手册中的说明而造成的损害, 制造商概不负责。制造商保留随时更改本手册和手册中描述的产品的权利, 如有更改恕不另行通知或承担有关责任。修订版可在制造商的网站上找到。

3.1 安全信息

对于误用或滥用本产品造成的任何损坏, 包括但不限于直接、附带和从属损害, 制造商概不负责, 并且在适用法律允许的最大范围内拒绝承认这些损害。用户自行负责识别关键应用风险并安装适当的保护装置, 以确保在设备可能出现故障时保护工艺流程。

请在拆开本设备包装、安装或使用前, 完整阅读本手册。特别要注意所有的危险警告和注意事项。否则, 可能导致操作员受到严重伤害或设备受到损坏。



请确保产品拆开时的完整无损伤。请勿以本手册指定方式之外的其它方式使用或安装本设备。

3.1.1 危害指示标识说明

▲ 危险
表示潜在的或紧急的危险情况, 如果不加以避免, 将会导致死亡或严重伤害。
▲ 警告
表示潜在的或紧急的危险情况, 如果不加以避免, 将会导致死亡或严重伤害。
▲ 警告
表示潜在的危险情形, 可能导致轻度或中度人身伤害。
注意
表明如不加以避免可能会导致仪器损坏的情况。此信息需要特别强调。

3.1.2 警示标签

请阅读贴在仪器上的所有标签和标记。如未遵照这些安全标签的指示操作, 则可能造成人身伤害或仪器损坏。仪器上的符号在手册中通过警告说明参考。

	当仪器上标示此符号时, 表示需要遵守说明手册中的操作和/或安全信息。
	标有此符号的电气设备在欧洲不能通过家庭或公共垃圾系统进行处理。请将老旧或报废设备寄回至制造商处进行处置, 用户无需承担费用。

3.2 产品概述

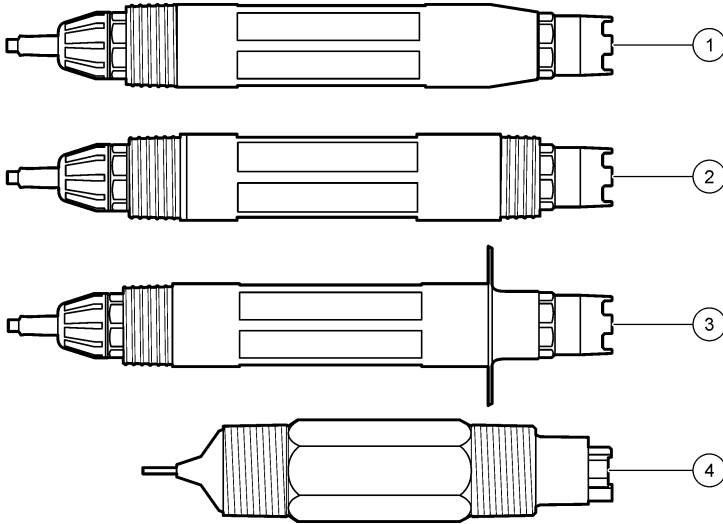
此传感器旨在配合控制器使用，用于数据收集和操作。该传感器可与不同控制器配合使用。本文档假定已安装传感器且与 SC4500 控制器配合使用。要将传感器配合其他控制器使用，请参阅所用控制器的用户手册。

可选设备（例如传感器的安装固件）随附安装说明书。提供多种安装选项，可使传感器适用于多种不同的应用。

3.3 传感器款式

有不同款式的传感器可供选择。请参阅图 1。



图 1 传感器款式



1 插件—无需停止过程流，即可取下	3 卫生级—安装在 2 英寸的卫生级三通中
2 转换式—用于三通管或浸入开式容器	4 转换式—LCP 类型

第 4 节 安装

4.1 安装方式

警告	
	爆炸危险。对于在危险（分类）场所安装，请参阅控制器 1 类 2 区文件中的说明和控制图。安装传感器时，请遵守当地、地区和国家法规。切勿连接或断开仪器，除非已知环境无危险。
警告	
	爆炸危险。确保传感器安装紧固件的温度和压力等级足以适合安装场所。

警告



人身伤害危险。破碎玻璃可导致割伤。请使用工具和个人保护装置清除破碎玻璃。

注意

pH 值传感器头部的过程电极具有玻璃泡。玻璃泡容易破裂。不要敲击或按压玻璃泡。

注意

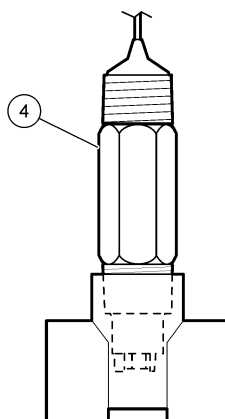
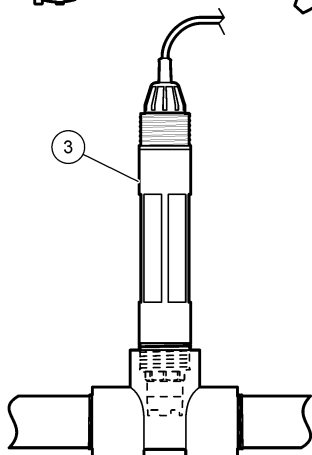
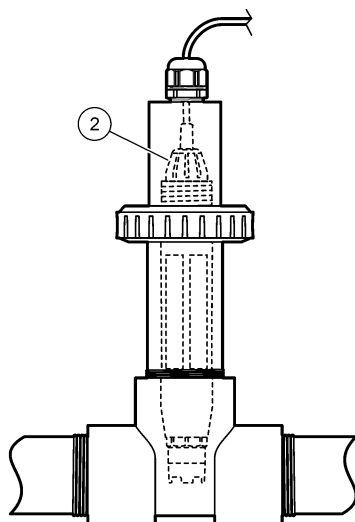
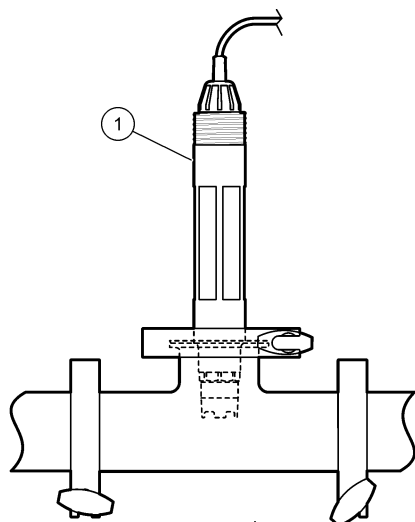
ORP 传感器尖端的金或铂过程电极具有一个容易破裂的玻璃柄（被盐桥遮挡）。不要敲击或按压玻璃柄。

- 将传感器安装在过程溶液中有代表性的并与传感器接触的样品处。
- Refer to the expanded user manual on the manufacturer's website for the available mounting hardware.
- 请参阅安装紧固件随附说明书了解安装信息。
- 将传感器安装在水平夹角至少 15° 的位置。
- 对于浸入式安装，将传感器放在距曝气池壁至少 508 mm（20 英寸）的位置并将传感器浸入工艺溶液中至少 508 mm（20 英寸）。
- 将传感器放入工艺用水前取下护帽。保留保护帽，以供将来使用。
- （可选）如果工艺用水接近沸点，则向传感器²标准电解液中添加凝胶粉³。Refer to step 2 of [更换盐桥](#) 第 98 页。不要更换盐桥。
- 使用传感器之前，应先进行校准。

For examples of sensors in different applications, refer to [图 2](#) and [图 3](#).

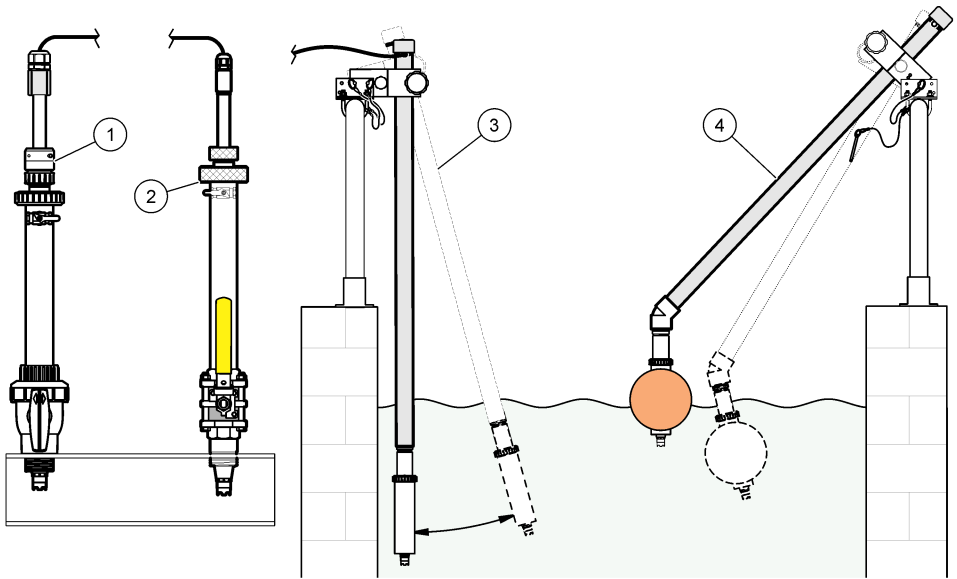
² 凝胶粉可以降低标准电解液的蒸发速率。

图 2 安装示例 (1)



1 卫生级安装	3 流通安装
2 联合安装	4 流通安装—LCP 传感器

图 3 安装示例 (2)



1 PVS 插入式安装	3 浸入式安装
2 插入式安装	4 浸入式安装, 浮球式

4.2 将传感器连接 SC 控制器

使用以下选项之一将传感器连接 SC 控制器：

- 将传感器连接 sc 数字网关，然后将 sc 数字网关连接 SC 控制器。数字网关将传感器的模拟信号转换为数字信号。
- 在 SC 控制器中安装传感器模块。然后，将传感器连接传感器模块。传感器模块将传感器的模拟信号转换为数字信号。

请参阅传感器模块或 sc 数字网关随附的说明书。

第 5 节 操作

5.1 用户导航

有关触摸屏说明和导航信息，请参阅控制器文档。

5.2 配置传感器

使用设置菜单输入传感器的识别信息，或更改数据处理和存储的选项。

1. 选择主菜单图标，然后选择**设备**。所有可用设备的列表随即显示。
2. 选择传感器并选择**设备菜单 > 设置**。
3. 选择一个选项。
 - 对于连接 pH/ORP 模块的传感器，请参阅表 1。
 - 对于连接 sc 数字网关的传感器，请参阅表 2。

表 1 连接 pH/ORP 模块的传感器

选项	说明
名称	更改测量屏幕顶端上传感器对应的名称。名称最多可包含 16 个字符，可以是字母、数字、空格或标点的任意组合。
传感器 S/N	供用户输入传感器序列号。序列号最多可包含 16 个字符，可以是字母、数字、空格或标点的任意组合。
格式	仅限 pH 传感器 — 将测量屏幕上显示的小数位数为更改为 XX.XX（默认值）或 XX.X
温度	将温度单位设为 °C（默认值）或 °F。
温度元件	pH 传感器 — 将自动温度补偿的温度元件设为 PT100、PT1000 或 NTC300（默认值）。如果没有使用温度元件，该类型可设为手动并且可输入温度补偿值（默认值：25 °C）。 ORP 传感器 — 不使用温度补偿。温度元件可以连接控制器以测量温度。
过滤器	设置时间常数，以增加信号的稳定性。时间常数可计算特定时间内的平均值—0（无影响，默认值）至 60 秒（60 秒的信号平均值）。过滤器将增加传感器信号响应过程中实际变化的时间。
纯 H2O 补偿	仅适用于 pH 传感器—为含添加剂的纯水的 pH 测量值增加与温度有关的校正。选项：无（默认值）、氨、吗啉或用户定义。 对于高于 50 °C 的过程温度，应使用 50 °C 时的校正。对于用户定义的应用，可输入线性斜率（默认值：0 pH/°C）。
ISO 点	仅适用于 pH 传感器—设置 pH 斜率与温度无关的等电位点。大多数传感器的等电位点为 7.00 pH（默认值）。然而，特定应用的传感器可能有不同的等电位点值。
数据记录器间隔	设置在数据日志中存储传感器和温度测量的时间间隔—5 秒、30 秒、1 分钟、2 分钟、5 分钟、10 分钟、15 分钟（默认值）、30 分钟和 60 分钟。
重置为默认值	将设置菜单设为默认出厂设置并重置计数器。届时，所有的传感器信息将会丢失。




表 2 连接 sc 数字网关的传感器

选项	说明
名称	更改测量屏幕顶端上传感器对应的名称。名称最多可包含 12 个字符，可以是字母、数字、空格或标点的任意组合。
选择传感器	选择传感器类型（pH 或 ORP）。
格式	请参阅表 1。
温度	请参阅表 1。
数据记录器间隔	设置在数据日志中存储传感器和温度测量的时间间隔—5 秒、10 秒、15 秒、30 秒、1 分钟、5 分钟、10 分钟、15 分钟（默认值）、30 分钟、1 小时、2 小时、6 小时和 12 小时。
交流电频率	选择电力线频率以实现最佳噪音抑制。选项：50 或 60 Hz（默认值）。

表 2 连接 sc 数字网关的传感器（续）

选项	说明
过滤器	请参阅表 1。
温度元件	请参阅表 1。
选择缓冲标准以进行 pH 测量。	仅适用于 pH 传感器—设置用于自动校正校准的 pH 缓冲液。选项：4.00、7.00、10.00（默认设置）或 DIN 19267（pH 1.09、4.65、6.79、9.23、12.75） 注： 如果针对校准选择 1-点或 2-点手动校正，则可以使用其他缓冲液。
纯 H2O 补偿	请参阅表 1。 也可选择 1-点、2-点、3-点或 4-点矩阵校正。1-点、2-点、3-点或 4-点矩阵校正是在固件中预设的补偿方法。
上次校准	设置下次校准的提醒（默认：60 天）。自上次校准日期起，在选定的间隔后，显示屏会显示校准传感器的提醒。 例如，如果上次校准日期是 6 月 15 日且上次校准被设置为 60 天，显示屏会在 8 月 14 日显示校准提醒。若在 8 月 14 日前（如 7 月 15 日）对传感器进行校准，显示屏会在 9 月 13 日显示校准提醒。
传感器天数	设置更换传感器提醒（默认：365 天）。在选定的间隔后，显示屏会显示更换传感器的提醒。 传感器天数计数器在诊断/测试 > 计数器菜单上显示。 更换传感器时，重置诊断/测试 > 计数器菜单上的传感器天数计数器。
阻抗限值	设置有源电极和参考电极的阻抗上限和下限。
重置设置	将设置菜单设为默认出厂设置并重置计数器。届时，所有的传感器信息将会丢失。

5.3 校准传感器

▲ 警告	
	液压危险。从压力容器中卸下传感器可能存在危险。在拆卸前，将工艺压力降到 7.25 psi (50 kPa) 以下。如果无法做到这一点，要极为小心操作。请参阅安装紧固件随附的文档，了解更多信息。
▲ 警告	
	化学品暴露风险。遵守实验室安全规程，穿戴适用于所处理化学品的所有个人防护装备。有关安全规程，请参阅当前安全数据表(MSDS/SDS)。
▲ 警告	
	化学品暴露风险。请遵循地方、区域和国家法规处置化学品和废弃物。

5.3.1 关于传感器校准

校准调整传感器读数，以匹配一个或多个参考溶液的值。传感器特性随着时间缓慢转变，并导致传感器丧失准确性。传感器必须定期校准以保持准确性。校准频率根据应用而有所不同，且最好根据经验确定校准频率。

温度元件用于提供 pH 读数，该读数可将影响有源电极和参考电极的温度变屏化自动调整到 25 °C。如果过程温度恒定不变，客户可手动设置此调整。

校准过程中，不会发送数据到数据记录。因此，数据记录可以有间歇数据区域。

5.3.2 更改校准选项

对于连接 pH/ORP 模块的传感器，用户可以在校准选项菜单中设置提醒或添加操作员 ID 和校准数据。

注： 该步骤不适用于连接 sc 数字网关的传感器。

1. 选择主菜单图标，然后选择**设备**。所有可用设备的列表随即显示。
2. 选择传感器并选择**设备菜单 > 校准**。
3. 选择**校准选项**。
4. 选择一个选项。

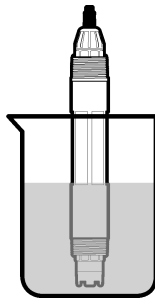
选项	说明
选择缓冲标准以进行 pH 测量。	仅适用于 pH 传感器—设置用于自动校正校准的 pH 缓冲液。选项：4.00、7.00、10.00（默认设置），DIN 19267（pH 1.09、4.65、6.79、9.23、12.75）或 NIST 4.00、6.00、9.00 注： 如果针对校准选择 1-点或 2-点值校准，则可以使用其他缓冲液。
校准提醒	设置下次校准的提醒（默认：关）。自上次校准日期起，在选定的间隔后，显示屏会显示校准传感器的提醒。 例如，如果上次校准日期是 6 月 15 日且上次校准被设置为 60 天，显示屏会在 8 月 14 日显示校准提醒。若在 8 月 14 日前（如 7 月 15 日）对传感器进行校准，显示屏会在 9 月 13 日显示校准提醒。
校准操作者 ID	包括操作员 ID 和校准数据 - Yes（是）或 No（否）（默认值）。在校准过程中输入 ID。

5.3.3 pH 值校准程序

使用一种或两种参考溶液（1 点或 2 点校准）校准 pH 传感器。将自动识别标准缓冲液。

1. 将传感器放入第一种参考溶液中（缓冲液或已知数值的试样）。确保探头的传感器部分完全浸入液体中（图 4）。

图 4 传感器放入参考溶液



2. 等待传感器与溶液温度相等。如果过程溶液与参考溶液的温差很大，此过程可能需要 30 分钟或以上。
3. 选择主菜单图标，然后选择**设备**。所有可用设备的列表随即显示。
4. 选择传感器并选择**设备菜单 > 校准**。
5. 选择校准类型：

选项	说明
1-点缓冲液校准（或 1-点自动校正）	使用一种缓冲液进行校准（例如 pH = 7 的缓冲液）。传感器在校准期间自动识别缓冲液。 注： 确保在校准 > 校准选项 > 选择缓冲标准以进行 pH 测量。菜单（或设置 > 选择缓冲标准以进行 pH 测量。菜单）中选择缓冲液组。

选项	说明
2-点缓冲液校准 (或 2-点自动校正)	使用两种缓冲液进行校准(例如 pH = 7 和 4 的缓冲液)。传感器在校准期间自动识别缓冲液。 注: 确保在校准 > 校准选项 > 选择缓冲标准以进行 pH 测量。菜单(或设置 > 选择缓冲标准以进行 pH 测量。菜单)中选择缓冲液组。
1-点值校准 (或 1-点手动校正)	使用一种已知值的试样(或一种缓冲液)进行校准。使用另一仪器测定试样的 pH 值。在校准期间输入 pH 值。
2-点值校准 (或 2-点手动校正)	使用已知值的两种试样(或两种缓冲液)进行校准。使用另一仪器测定试样的 pH 值。在校准期间输入 pH 值。

6. 在校准过程中选择输出信号的选项:

选项	说明
活动	仪器在校准过程中发送当前测量的输出值。
保持	传感器输出值在校准过程中保持为当前测量值。
传输	在校准过程中发送预设的输出值。要更改预设值, 请参阅控制器用户手册。

7. 将传感器放入第一种参考溶液中, 然后按确定。
测量值随即显示。

8. 等待值稳定后按确定。

注: 屏幕可能自动进入下一步。

9. 如果适用, 输入 pH 值, 然后按确定。

注: 如果参考溶液是缓冲液, 请在缓冲液瓶上找到缓冲液温度所对应的 pH 值。如果参考溶液是试样, 请使用另一台仪器测定试样的 pH 值。

10. 对于 2 点校准, 按以下方式测量第二种参考溶液:

- 从第一种溶液中取出传感器, 然后用干净水冲洗。
- 将传感器放入第二种参考溶液中, 然后按确定。
- 等待值稳定后按确定。
注: 屏幕可能自动显示下一步。
- 如果适用, 输入 pH 值, 然后按确定。

11. 查看校准结果:

- "成功完成校准。"— 传感器已经校准并准备测量试样。将显示斜率和/或偏移值。
- "校准失败。"— 校准斜率或偏移值超出接受的限值。用新的参考溶液重复校准。必要时清洁传感器。

12. 按确定。

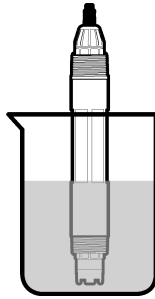
13. 将传感器放回工艺溶液, 然后按确定。
输出信号恢复激活状态且测量屏幕上将显示测得的试样值。

5.3.4 ORP 校准程序

使用一种参考溶液(1 点校准)校准 ORP 传感器。

1. 将传感器放入参考溶液中(参考溶液或已知值的试样)。确保传感器的探头部分完全浸入溶液中(图 5)。

图 5 传感器放入参考溶液



2. 选择主菜单图标，然后选择**设备**。所有可用设备的列表随即显示。
3. 选择传感器并选择**设备菜单 > 校准**。
4. 选择**1-点值校准**（或**1-点手动校正**）。
5. 在校准过程中选择输出信号的选项：

选项	说明
活动	仪器在校准过程中发送当前测量的输出值。
保持	传感器输出值在校准过程中保持为当前测量值。
传输	在校准过程中发送预设的输出值。要更改预设值，请参阅控制器用户手册。

6. 将传感器放入参考溶液或试样后，按确定。
测量值随即显示。
7. 等待值稳定后按确定。
注：屏幕可能自动进入下一步。
8. 如果使用试样进行校准，则通过辅助验证仪器来测量试样的 ORP 值。输入测量的值，然后按确定。
9. 如果使用参考溶液进行校准，请输入瓶上标注的 ORP 值。按确定。
10. 查看校准结果：
 - "成功完成校准。"— 传感器已经校准并准备测量试样。将显示斜率和/或偏移值。
 - "校准失败。"— 校准斜率或偏移值超出接受的限值。用新的参考溶液重复校准。必要时清洁传感器。
11. 按确定。
12. 将传感器放回工艺溶液，然后按确定。
输出信号恢复激活状态且测量屏幕上将显示测得的试样值。

5.3.5 温度校准

仪器出厂时已经校准为精确的温度测量值。校准温度可以提高精度。

1. 将传感器放入一个含水容器中。
2. 使用精确的温度计或单独的仪器测量水温。
3. 选择主菜单图标，然后选择**设备**。所有可用设备的列表随即显示。
4. 选择传感器并选择**设备菜单 > 校准**。
5. 对于连接 pH/ORP 模块的传感器，请执行以下步骤：
 - a. 选择**1 点温度校准**。
 - b. 等待值稳定后按确定。
 - c. 输入精确值，然后按确定。

6. 对于连接 sc 数字网关的传感器，请执行以下步骤：
 - a. 选择**温度调节**。
 - b. 等待值稳定后按确定。
 - c. 选择**编辑温度**。
 - d. 输入精确值，然后按确定。
7. 将传感器放回工艺溶液中，并按主页图标。

5.3.6 退出校准过程

1. 要退出校准，请按返回图标。
2. 选择一个选项，然后按确定。

选项	说明
退出校准 (或取消)	停止校准。新校准必须从头开始。
返回校准	返回到校准。
退出校准 (或退出)	暂时退出校准。可访问其他菜单。可开始另一个传感器（如有）的校准。

5.3.7 重置校准

校准可重置为默认出厂设置。届时，所有的传感器信息将会丢失。

1. 选择主菜单图标，然后选择**设备**。所有可用设备的列表随即显示。
2. 选择传感器并选择**设备菜单 > 校准**。
3. 选择**重置为默认校准值**（或**重置设置**），然后按确定。
4. 再按一次确定。

5.4 阻抗测量

为了提高 pH 测量系统的可靠性，控制器将确定玻璃电极的阻抗。此测量每分钟进行一次。在诊断期间，pH 测量读数将保持五秒钟。如果显示错误消息，请参阅**错误列表**第 102 页了解详细信息。

要启用或禁用传感器阻抗测量，请执行以下操作：

1. 选择主菜单图标，然后选择**设备**。所有可用设备的列表随即显示。
2. 选择设备并选择**设备菜单 > 诊断/测试**。
3. 对于连接 pH/ORP 模块的传感器，选择**阻抗状态**。
4. 对于连接 sc 数字网关的传感器，选择**信号 > 阻抗状态**。
5. 选择**已启用**或**已禁用**并按确定。

要查看有源电极和参考电极阻抗读数，请选择**传感器信号**（或**信号**）并按确定。

5.5 Modbus 寄存器

Modbus 寄存器列表可供网络通信使用。请参阅制造商的网站了解更多信息。

第 6 节 维护

▲ 警告



多重危险。只有符合资质的专业人员才能从事文档本部分所述的任务。

警告



爆炸危险。除非已知环境无危险，否则不要连接或断开仪器。有关危险场所的说明，请参考控制器 1 类 2 区的文件。

警告



液压危险。从压力容器中卸下载感器可能存在危险。在拆卸前，将工艺压力降到 7.25 psi (50 kPa) 以下。如果无法做到这一点，要极为小心操作。请参阅安装紧固件随附的文档，了解更多信息。

警告



化学品暴露风险。遵守实验室安全规程，穿戴适用于所处理化学品的所有个人防护装备。有关安全规程，请参阅当前安全数据表(MSDS/SDS)。

警告



化学品暴露风险。请遵循地方、区域和国家法规处置化学品和废弃物。

6.1 维护计划

表 3 列出了建议的维护任务计划。不同的设施要求和工作条件可能要求更频繁地执行某些任务。

表 3 维护计划

维护任务	1 年	按需要
清洗传感器 第 98 页		X
更换盐桥 第 98 页	X	
校准传感器 第 93 页	由管制机构或凭经验设置	

6.2 清洗传感器

事先准备：准备温和的肥皂溶液与不含羊毛脂、无磨蚀成分的餐具洗涤剂。羊毛脂会在电极表面形成薄膜，而薄膜会降低传感器性能。

定期检查传感器是否存在污垢和沉淀物。当形成沉淀物或性能降低时，清洗传感器。

1. 使用干净的软布清除传感器端壁上的污垢。使用干净的温水冲洗传感器。
2. 将传感器浸入肥皂溶液中 2 到 3 分钟。
3. 使用软毛刷刷洗传感器的整个测量端。
4. 如果仍有污垢，将传感器的测量端浸入稀酸溶液（如 < 5% HCl）不超过 5 分钟。
5. 用水冲洗传感器，然后将传感器放回肥皂溶液中 2 到 3 分钟。
6. 使用净水冲洗传感器。

注：用于 HF 应用的带铂电极传感器可能需要额外清洁。请联系技术支持部门。

维护操作完成后应始终校准传感器。

6.3 更换盐桥

每隔 1 年更换一次盐桥和标准电解液，或者在清洁传感器之后校准失败时更换。

注：www.Hach.com 网站上提供了如何更换盐桥的视频。转到“盐桥”网页，单击“视频”选项卡。

需准备的物品：

- 可调节月牙扳手
- 大镊子
- 盐桥
- 标准电解液
- 凝胶粉³， $\frac{1}{8}$ 茶匙

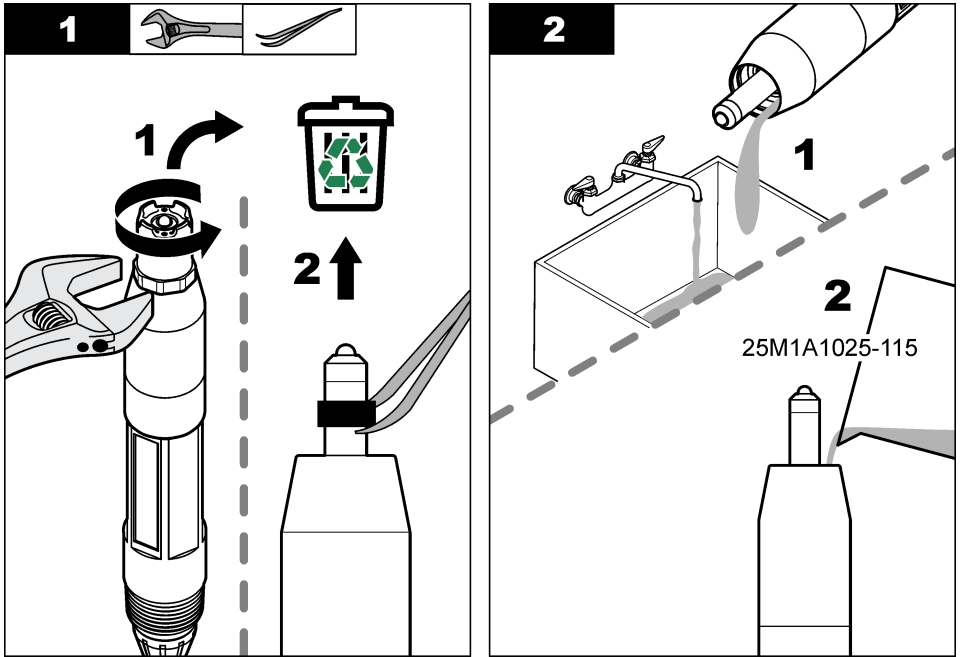
1. 清洗传感器。请参阅[清洗传感器](#)第 98 页。
2. 更换盐桥和标准电解液。请参阅以下图示步骤。

如果标准电解池内残留有凝胶（不常见），则在图示步骤 2 中使用细流喷射型设备的喷射水流除去旧凝胶。

（可选）如果工艺用水接近沸点，则在下面的图示步骤 4 中向新的标准电解液添加凝胶粉：

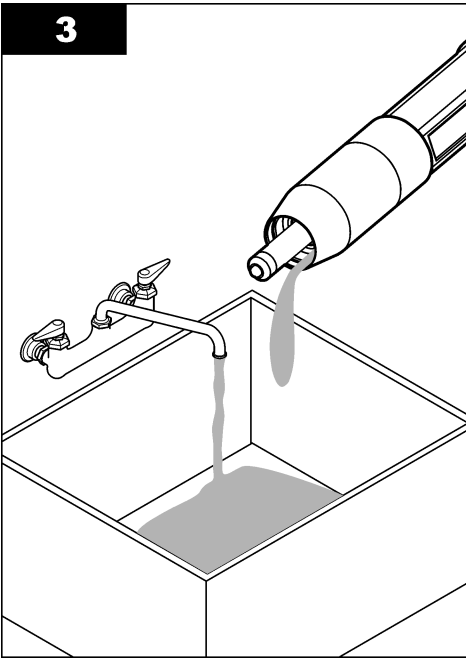
- a. 将 1 水平瓶盖（ $\frac{1}{8}$ 茶匙）的凝胶粉倒入标准电解池中。
- b. 将少量新的标准电解液倒入电解池中。
- c. 使溶液与凝胶粉混合，直到溶液变稠。
- d. 加入少量溶液并混合，直到凝胶液位到达盐桥螺纹的底部。
- e. 通过安装和拆除新盐桥，检查凝胶水平是否适当。盐桥印记应保留在凝胶表面上。

3. 校准传感器。

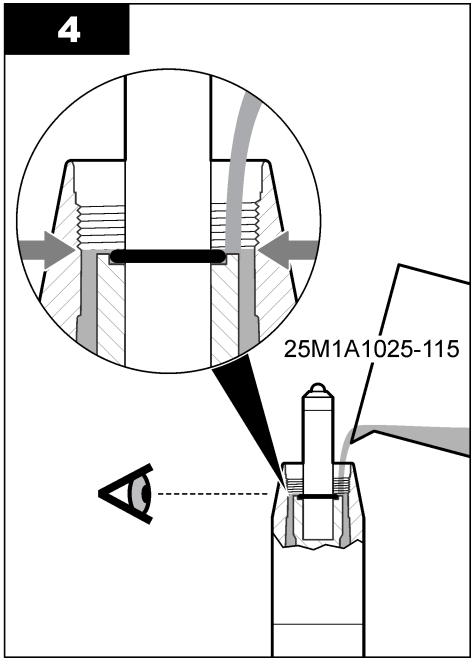


³ （可选）如果工艺用水接近沸点，则将凝胶粉添加到标准电解液中。凝胶粉可以降低标准电解液的蒸发速率。

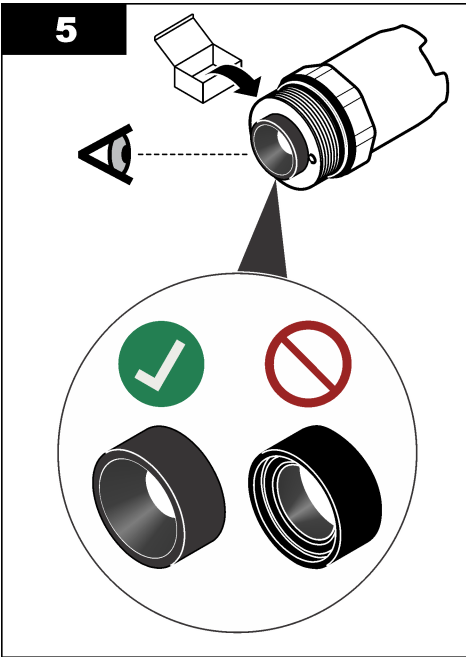
3



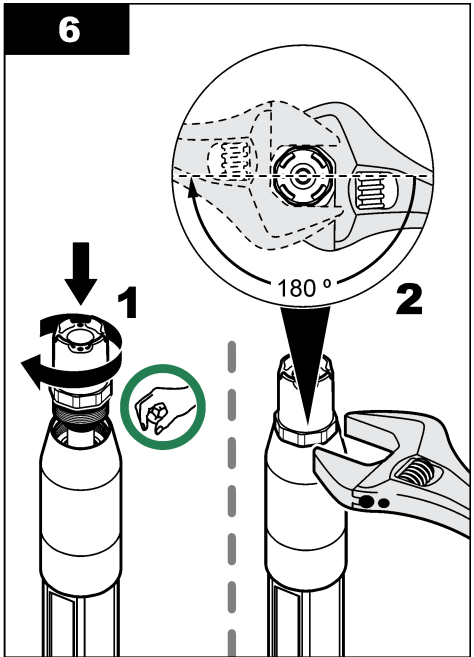
4



5



6



6.4 存放准备

进行短期存储时（传感器不工作的时间超过一个小时），请用 pH 4 缓冲液或蒸馏水填充护帽，然后将护帽装回到传感器。使过程电极和参比电极结合处盐桥保持潮湿，以避免传感器恢复工作时反应缓慢。

要长期存储，请每 2 至 4 周重复一次短期存储操作步骤，具体情况取决于环境条件。请参阅 [规格](#) 第 86 页以了解存储温度限制。

第 7 节 故障排除

7.1 间歇数据

校准过程中，不会发送数据到数据记录。因此，数据记录可以有间歇数据区域。

7.2 测试 pH 传感器

事先准备：两种 pH 缓冲液和一部万用表。

如果校准失败，先完成[维护](#) 第 97 页中的维护步骤。

1. 将传感器放入 pH 7 缓冲溶液中，然后等待传感器和缓冲液的温度达到室温。
2. 从模块或数字网关上拔下红色、绿色、黄色和黑色传感器电线。
3. 测量黄色与黑色电线之间的电阻，以验证温度元件的运行情况。在 25 °C 左右时，电阻应介于 250 至 350 欧姆之间。
如果温度元件正常，则将黄色与黑色电线重新连接到控制器。
4. 将万用表 (+) 引线连接到红色电线，并将 (-) 引线连接到绿色电线，测量直流电压 (mV)。读数应该介于 -50 至 + 50 mV 之间。
如果读数超出上述限值，则清洗传感器，并更改盐桥和标准电极溶液。
5. 以相同方式连接万用表后，用水冲洗传感器，然后将传感器放入 pH 4 或 pH 10 缓冲溶液中。等待传感器和缓冲液的温度达到室温。
6. 比较 pH 4 或 10 缓冲液中的 mV 读数与 pH 7 缓冲液中的读数。读数应相差约 160 mV。
如果差值小于 160 mV，请致电技术支持部门。

7.3 测试 ORP 传感器

事先准备：200 mV ORP 参考溶液和万用表。

如果校准失败，先完成[维护](#) 第 97 页中的维护步骤。

1. 将传感器放入 200 mV 参考溶液中，然后等待传感器和溶液的温度达到室温。
2. 从模块或数字网关上拔下红色、绿色、黄色和黑色传感器电线。
3. 测量黄色与黑色电线之间的电阻，以验证温度元件的运行情况。在大约 25 °C 时，电阻应介于 250 至 350 欧姆之间。
如果温度元件正常，则将黄色与黑色电线重新连接到控制器。
4. 将万用表 (+) 引线连接红色电线并将 (-) 引线连接绿色电线，测量直流电压 (mV)。读数应介于 160 至 240 mV 之间。
如果读数超出上述限值，请致电技术支持部门。

7.4 诊断/测试菜单

诊断/测试菜单显示有关传感器的当前和历史信息。请参阅表 4。按主菜单图标，然后选择**设备**。选择设备并选择**设备菜单 > 诊断/测试**。

表 4 诊断/测试菜单

选项	说明
模块信息	仅适用于连接 pH/ORP 模块的传感器 — 显示传感器模块的版本和序列号。
传感器信息	适用于连接 pH/ORP 模块的传感器 — 显示传感器名称和用户输入的序列号。 对于连接 sc 数字网关的传感器 — 显示传感器型号、用户输入的传感器名称和传感器序列号。显示已安装的软件版本和驱动程序版本。
上次校准	仅适用于连接 pH/ORP 模块的传感器 — 显示自上次校准后的天数。
校准记录	适用于连接 pH/ORP 模块的传感器 — 显示校准斜率 and 此前校准日期。 适用于连接 sc 数字网关的传感器 — 显示校准斜率和上次校准的日期。
重置校准历史记录	仅适用于连接 pH/ORP 模块的传感器 — 仅供服务使用
阻抗状态	仅适用于 pH 传感器 — 请参阅 阻抗测量 第 97 页。
传感器信号 (或信号)	仅适用于连接 pH/ORP 模块的 pH 传感器 — 显示当前读数 (mV)。 适用于连接 sc 数字网关的 pH 传感器 — 显示当前读数 (mV) 和模数转换器计数器。 如果阻抗状态设置为已启用，显示有源电极和参考电极阻抗。
传感器天数 (或计数器)	适用于连接 pH/ORP 模块的传感器 — 显示传感器已运行的天数。 适用于连接 sc 数字网关的传感器 — 显示传感器和电极已运行的天数。当固件识别到故障电极已被替换为可正常工作的电极时，电极天数计数器将被重置为零。 如需将传感器天数重置为零，请选择 重置 。 在更换传感器（或盐桥）时，重置传感器天数计数器。

7.5 错误列表

当发生错误时，测量屏幕上的读数会闪烁，所有输出将保留（如果在控制器 > 输出菜单中指定）。屏幕变为红色。诊断栏显示错误。按诊断栏以显示错误和警告。或者，也可以按主菜单图标，然后选择**通知 > 错误**。

可能出现的错误列表如 所示。表 5。

表 5 错误列表

错误	说明	分辨率
pH 值过高!	测量的 PH 值大于 14.	校准或更换传感器。
ORP 值过高!	测得的 ORP 值 > 2100 mV。	
pH 值过低!	测量的 PH 值小于 0。	校准或更换传感器。
ORP 值过低!	测得的 ORP 值小于 -2100 mV。	
偏差值过高。	偏移值大于 9 (pH) 或 200 mV (ORP)。	请按照传感器的维护步骤操作，然后重复校准或更换传感器。
偏差值过低。	偏移值小于 5 (pH) 或 -200 mV (ORP)。	
斜率过高。	斜率大于 62 (pH)/1.3 (ORP)。	使用新的缓冲液或试样重复校准，或更换传感器。
斜率过低。	斜率小于 50 (pH)/0.7 (ORP)。	清洗传感器，然后重复校准或更换传感器。

表 5 错误列表 (续)

错误	说明	分辨率
温度过高!	测量的温度值高于 130 °C。	确保选择了正确的温度元件。
温度过低!	测得的温度值 < -10 °C。	
不同缓冲液之间的差异太小!	2-点自动校正的缓冲液具有相同值。	Complete the steps in 测试 pH 传感器 第 101 页。
传感器缺失。	传感器丢失或断开。	检查传感器和模块 (或数字网关) 的接线及连接。
温度传感器丢失!	温度传感器丢失。	检查温度传感器的接线。确保选择了正确的温度元件。
玻璃阻抗过低。	玻璃灯泡已损坏或超过使用寿命。	更换传感器。请联系技术支持部门。

7.6 传感器

警告不会影响对菜单、继电器和输出的操作。屏幕变为琥珀色。诊断栏显示警告。按诊断栏以显示错误和警告。或者，也可以按主菜单图标，然后选择**通知 > 警告**。

可能的警告列表如 [表 6](#)。

表 6 警告列表

警告	说明	分辨率
pH 过高。	测量的 PH 值大于 13。	校准或更换传感器。
ORP 值过高。	测量的 ORP 值大于 2100 mV。	
pH 过低。	测量的 PH 值小于 1。	校准或更换传感器。
ORP 值过低。	测得的 ORP 值小于 -2100 mV。	
偏差值过高。	偏移值大于 8 (pH) 或 200 mV (ORP)。	请按照传感器的维护步骤操作，然后重复校准。
偏差值过低。	偏移值小于 6 (pH) 或 -200 mV (ORP)。	
斜率过高。	斜率大于 60 (pH)/1.3 (ORP)。	使用新的缓冲液或试样重复校准。
斜率过低。	斜率小于 54 (pH)/0.7 (ORP)。	清洗传感器，然后重复校准。
温度过高。	测得的温度 > 100 °C。	确保使用了正确的温度元件。
温度过低。	测量的温度值低于 0 °C。	
温度超出范围。	测得的温度 > 100 °C 或 < 0 °C。	
校准过期。	校准提醒时间已过。	校准传感器。
设备未校准。	传感器尚未校准。	校准传感器。
更换传感器。	传感器天数计数器超过所选传感器的更换间隔。请参见 配置传感器 第 91 页。	更换传感器 (或盐桥)。在 诊断/测试 > 重置菜单 (或 诊断/测试 > 计数器菜单) 重置传感器天数计数器。
正在进行校准...	校准已开始但尚未完成。	返回校准。
温度未校准。	温度传感器未校准。	进行温度校准。

目次

- | | |
|-------------------|-----------------------|
| 1 より詳しい情報 104 ページ | 5 操作 109 ページ |
| 2 仕様 104 ページ | 6 メンテナンス 116 ページ |
| 3 一般情報 105 ページ | 7 トラブルシューティング 120 ページ |
| 4 設置 107 ページ | |

第1章 より詳しい情報

詳細なユーザーマニュアルは、メーカーの Web サイトから入手できます。

第2章 仕様

この仕様は予告なく変更されることがあります。

本製品は、記載されている承認と、本製品に正式に提供されている登録、証明書、宣言書のみを有しています。本製品を許可されていない用途に使用することは、メーカーは認めていません。

仕様	詳細
外形寸法	pHD: 271 mm (10.7 in.)/35 mm (1.4 in.); 1 in. NPT; LCP (液晶ポリマー): 187 mm (7.35 in.)/51 mm (2 in.); 1-½ in. NPT
重量	316 g
汚染度	2
過電圧区分	I
保護クラス	III
標高	最大 2000 m
使用温度	5 ~ 105 °C (23 ~ 221 °F)
保管温度	4 ~ 70 °C、相対湿度 0 ~ 95 %、結露なきこと
接液部の材質	PEEK または PPS ポリフェニレンサルファイド (PVDF) 本体、ガラス製プロセス電極、チタン製接地電極、および FKM/FPM O リングシール 注: オプションのプロセス用耐 HF ガラス電極付き pH センサには、316 ステンレス鋼のアース電極とパーフロエラストマー接液面 O リングが付いています。
測定範囲	pH センサ: -2 ~ 14 pH ¹ (または 2.00 ~ 14.00) ORP センサ: -1500 ~ +1500 mV
検出器ケーブル	pHD: 5 芯 (プラス 2 シールド)、6 m (20 ft); LCP: 5 芯 (プラス 1 シールド)、3 m (10 ft)
構成品	耐食材料、完全浸漬可
解決方法	pH センサ: ±0.01 pH ORP センサ: ±0.5 mV
最大流量	最大 3 m/s (10 ft/s)
最大圧力	105°C で 6.9 bar (221 °F で 100 psi)
伝送距離	最大 100 m (328 ft) 最大 1000 m (3280 ft) (端子ボックス付き)
温度素子	NTC 300 Ω サーミスター (自動温度補償および分析装置の温度読み出し用)

¹ ほとんどの pH 計を設置する試料水は、2.5 ~ 12.5 pH の範囲内にあります。さまざまなプロセスに適応したガラス電極を使用した pHD 差動 pH センサは、この範囲で非常に効果的に測定することができます。pH 2 未満または 12 を超える場合は、正確な測定と制御が要求されます。特殊な用途で使用する場合は、メーカーにお問い合わせください。

仕様	詳細
温度補正	NTC 300 Ω サーミスター、Pt 1000 Ω RTD、または Pt 100 Ω RTD 温度素子では -10 ~ 105 °C (14.0 ~ 221 °F) で自動、またはユーザーが入力した温度で手動修正
校正方法	自動または手動による、1 点または 2 点校正
センサインターフェイス	SC デジタルゲートウェイまたは pH/ORP モジュールの Modbus RTU
認証	ETL (米国/カナダ) により、クラス 1、ディビジョン 2、グループ A、B、C、D、温度コード T4 - Hach SC 変換器を装備した危険な場所での使用がリストされています。 CE、UKCA、FCC、ISED、ACMA、KC、CMIM、NM に準拠

第 3 章 一般情報

いかなる場合も、製造元は、製品の不適切な使用またはマニュアルの指示に従わなかったことに起因する損害について責任を負いません。製造元は、通知または義務なしに、随時本マニュアルおよび製品において、その記載を変更する権利を有します。改訂版は、製造元の Web サイト上にあります。

3.1 安全情報

メーカーは、本製品の目的外使用または誤用に起因する直接損害、偶発的損害、結果的損害を含むあらゆる損害に対して、適用法で認められている範囲で一切責任を負わないものとします。ユーザーは、適用に伴う危険性を特定したり、装置が誤作動した場合にプロセスを保護するための適切な機構を設けることに関して、全責任を負うものとします。

この機器の開梱、設定または操作を行う前に、このマニュアルをすべてよく読んでください。危険、警告、注意に記載されている内容をよく読み、遵守してください。これを怠ると、使用者が重傷を負う可能性、あるいは機器が損傷を受ける可能性があります。

Make sure that the protection provided by this equipment is not impaired. この装置は本マニュアルで指定されている方法以外の方法で使用したり、取り付けたりしないでください。

3.1.1 危険情報

▲ 危険

回避しないと死亡または重傷につながる潜在的または切迫した危険な状況を示します。

▲ 警告

回避しなければ、死亡または重傷につながるおそれのある潜在的または切迫した危険な状況を示します。

▲ 注意

軽傷または中程度のけがをする事故の原因となる可能性のある危険な状況を示します。

告知

回避しなければ、本製品を損傷する可能性のある状況や、特に強調したい情報を示します。特に注意を要する情報。

3.1.2 使用上の注意ラベル

測定器上に貼付されたラベルや注意書きを全てお読みください。これに従わない場合、人身傷害や装置の損傷につながるおそれがあります。測定器に記載されたシンボルは、使用上の注意と共にマニュアルを参照してください。

	この記号が計器に記載されている場合、操作の指示マニュアル、または安全情報を参照してください。
	このシンボルが付いている電気機器は、ヨーロッパ域内または公共の廃棄処理システムで処分できません。古くなったり耐用年数を経た機器は、廃棄するためにメーカーに無償返却してください。

3.2 製品概要

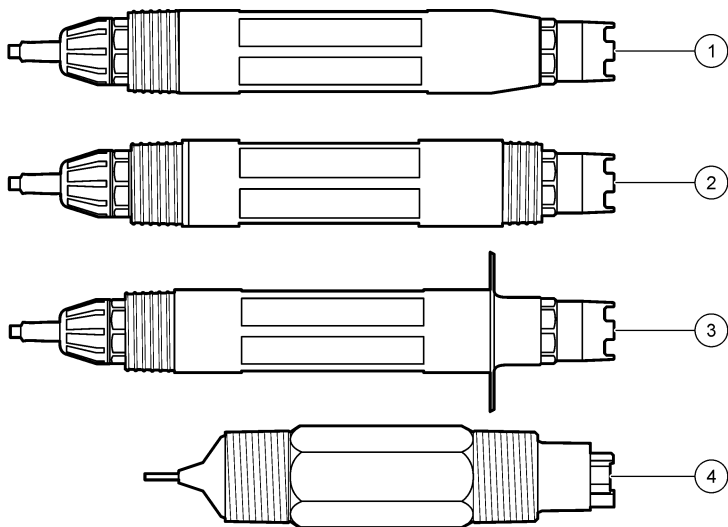
このセンサは変換器と組み合わせて使用するよう設計されています。このセンサは、さまざまな変換器に使用できます。このドキュメントは、SC4500 変換器と組み合わせて使用することを前提としています。他の変換器と組み合わせて使用する場合は、使用する変換器のユーザーマニュアルを参照します。

センサ用の取り付け金具など、オプション装置には、取扱説明書が付属しています。いくつかの取り付けオプションが利用でき、センサをさまざまな用途での使用に適合させることができます。

3.3 センサの外観

さまざまな形状のセンサをご利用いただけます。図 1 を参照します。


図 1 センサの外観





1 挿入式 - 工程を停止せずに取り外し可能	3 サニタリー - 2 インチサニタリー T 字管への取り付け用
2 コンバーチブル - T 字管または開口容器への浸漬用	4 コンバーチブル - LCP タイプ

第4章 設置

4.1 取り付け

▲ 警告	
	爆発の危険性があります。危険な(分類された)場所に設置する場合は、変換器クラス 1、ディビジョン 2 の文書にある説明書と制御図を参照します。現地、地域、および国の規定に従ってセンサを取り付けます。環境が危険でないことがわかっている場合を除き、装置を接続または切断しないでください。

▲ 警告	
	爆発の危険性があります。センサの取り付け金具の温度定格と圧力定格が取り付け位置に対して十分であることを確認してください。

▲ 注意	
	人体損傷の危険。破損したガラスにより切傷を負う可能性があります。破損したガラスを取り除く際には、工具を使用し、個人用保護具を装着してください。

告知	
pH センサの先端のプロセス用電極にはガラス球が付いていて、そこが破損することがあります。ガラス球をたたいたり押ししたりしないでください。	

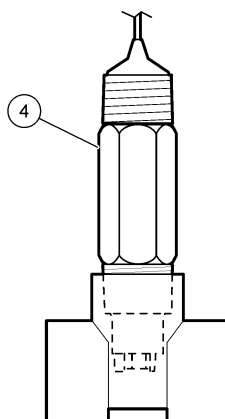
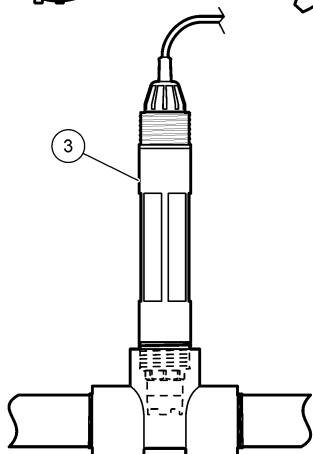
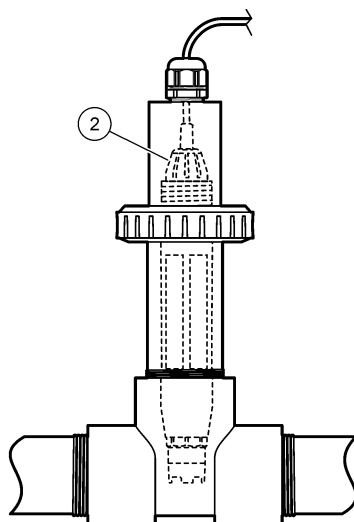
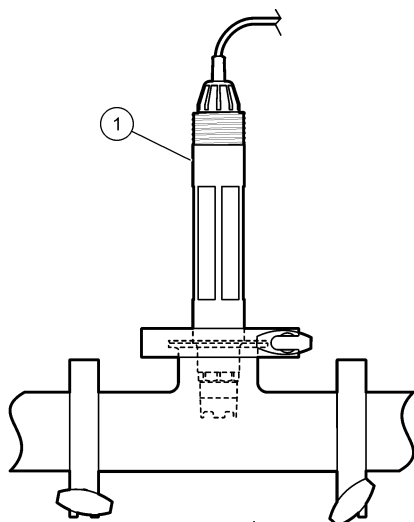
告知	
ORP センサの先端にあるプロセス用またはプラチナ電極には、ガラスシャンク (塩橋で隠れています) が付いていて、そこが破損することがあります。ガラスシャンクをたたいたり押ししたりしないでください。	

- センサと接する試料が全プロセスの代表となるような位置にセンサを取り付けてください。
- Refer to the expanded user manual on the manufacturer's website for the available mounting hardware.
- 取り付け方法については、取り付け金具に付属の取扱説明書を参照します。
- センサは水平線より 15° 以上、上向きに取り付けてください。
- 浸漬取り付けの場合、センサを曝気槽の壁から少なくとも 508 mm (20 インチ) 離し、センサをプロセス水に少なくとも 508 mm (20 インチ) 浸します。
- センサをプロセス水に入れる前に、保護キャップを外してください。保護キャップは保管しておいてください。
- (オプション) プロセス水が沸点付近まで上昇したら、ゲル粉末を² センサの内部液に加ええます。Refer to step 2 of 塩橋の交換 117 ページ。塩橋は交換しないでください。
- センサは使用する前に校正してください。

For examples of sensors in different applications, refer to [図 2](#) and [図 3](#).

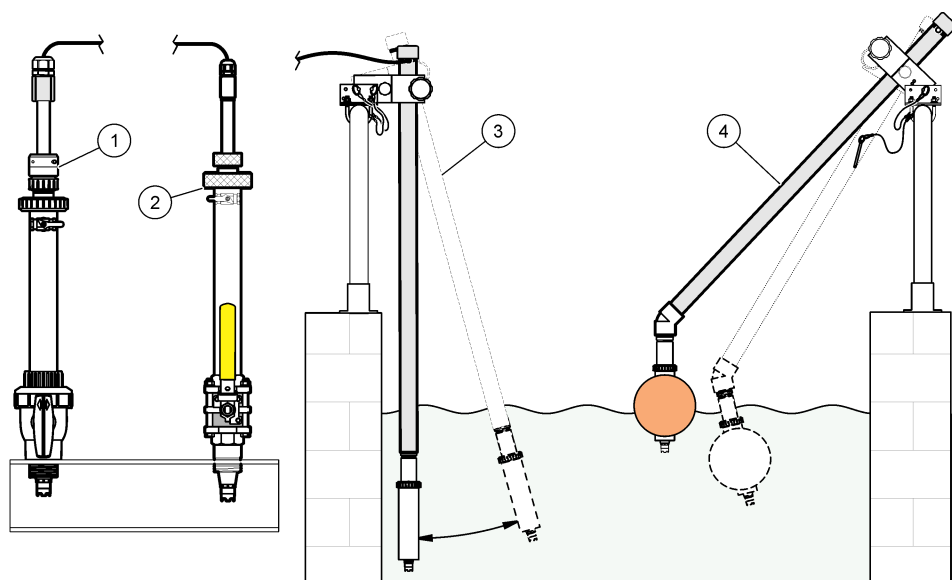
² ゲル粉末は、内部液の蒸発率を減らします。

図2 取り付け例(1)



1	サニタリー取り付け	3	フロースルー取り付け
2	ユニオン取り付け	4	フロースルー取り付け - LCP センサ

図 3 取り付け例 (2)



1 PVS インサクション取り付け	3 浸漬取り付け
2 インサクション取り付け	4 浸漬取り付け、ボールフロート

4.2 センサを SC 変換器に接続する

次のいずれかのオプションを使用して、センサを SC 変換器に接続します。

- センサを SC デジタルゲートウェイに接続し、SC デジタルゲートウェイを SC 変換器に接続します。デジタルゲートウェイは、センサからのアナログ信号をデジタル信号に変換します。
- SC 変換器にセンサモジュールを取り付けます。次に、センサモジュールにセンサを接続します。センサモジュールは、センサからのアナログ信号をデジタル信号に変換します。

センサモジュールまたは SC デジタルゲートウェイに付属の説明書を参照します。

第 5 章 操作

5.1 ユーザーナビゲーション

タッチスクリーンの説明とナビゲーション情報については、変換器の説明書を参照します。

5.2 センサの設定

設定メニューを使って、センサの識別情報を入力し、データの処理と保存に関するオプションを変更します。

1. メインメニューアイコンを選択して、**変換器**を選択します。使用可能なすべての計器のリストが表示されます。
2. センサを選択し、**通知 > 設定**を選択します。
3. オプションを選択します。
 - pH/ORP モジュールにより接続する場合は、**表 1**を参照します。

- SC デジタルゲートウェイにより接続する場合は、表 2 を参照します。

表 1 pH/ORP モジュールに接続する場合

オプション	解説
名前	測定画面の上部に表示されるセンサに対応する名前を変更します。名前は文字、数字、スペース、または句読点の任意の組み合わせで、16 文字に制限されています。
モジュール情報	センサのシリアル番号を入力します。シリアル番号は、文字、数字、スペース、句読点の組み合わせで 16 文字に制限されています。
形式	pH センサの場合のみ — 測定画面に表示される小数点以下の桁数を XX.XX (デフォルト) または XX.X に設定します。
温度	温度単位を °C (デフォルト) または °F に設定します。
温度素子	pH センサ — 自動温度補償の温度素子を PT100、PT1000、または NTC300 (デフォルト) に設定します。温度補償を使用しない場合は、タイプを手動に設定し、温度補償の値を入力します (デフォルト: 25 °C)。 ORP センサ — 温度補償は使用できません。温度素子を変換器に接続して、温度を測定できます。
フィルター	測定値の安定性を向上させる時定数を設定します。時定数により設定時間中の平均値が計算されます — 0 (無効、デフォルト) から 60 秒 (60 秒間の信号値の平均)。フィルター設定により、実際の変化よりも測定値の応答が遅くなります。
純水 H2O 補正	pH センサの場合のみ — 添加剤を含む純水の測定された pH 値に温度依存補正を追加します。オプション: なし (デフォルト)、アンモニア、モルホリン、ユーザー定義。 50 °C 以上のプロセス温度の場合、50 °C での補正を使用します。ユーザー定義アプリケーションの場合、線形勾配 (デフォルト: 0 pH/°C) を入力できます。
ISO ポイント	pH センサの場合のみ — pH 勾配が温度に依存しない等電点を設定します。ほとんどのセンサの等電点は 7.00 pH (デフォルト) です。ただし、特殊用途のセンサは、異なる等電位値を持つ場合があります。
データロガー周期	センサと温度測定値をデータ ログに保存する時間間隔を設定します — 5、30 秒、1、2、5、10、15 (デフォルト)、30、60 分。
センサ情報	設定メニューをデフォルト設定に戻し、カウンタをリセットします。すべてのセンサ情報が失われます。

表 2 SC デジタルゲートウェイに接続する場合

オプション	解説
名前	測定画面の上部に表示されるセンサに対応する名前を入力します。名前は 12 文字以内で指定でき、文字、数字、スペース、記号を組み合わせることができます。
センサの選択	センサのタイプ (pH または ORP) を選択します。
形式	表 1 を参照します。
温度	表 1 を参照します。

表 2 SC デジタルゲートウェイに接続する場合（続き）

オプション	解説
データロガー周期	センサと温度測定値をデータ ログに保存する時間間隔を設定します — 5、10、15、30 秒、1、2、5、10、15 (デフォルト)、30 分、1、2、6、12 時間。
交流周波数	最適なノイズ除去を実現するように、電源ラインの周波数を選択します。オプション: 50 または 60 Hz (デフォルト)。
フィルター	表 1 を参照します。
温度素子	表 1 を参照します。
緩衝標準溶液の選択	pH センサの場合のみ — 自動補正校正に使用する pH 緩衝液を選択します。オプション: 4.00、7.00、10.00 (デフォルトセット)、DIN 19267 (pH 1.09、4.65、6.79、9.23、12.75) 注: 校正に 1 点または 2 点マニュアル補正を選択した場合、他の緩衝液を使用できません。
純水 H2O 補正	表 1 を参照します。 1 点、2 点、3 点、または 4 点マトリックス補正も選択できます。1 点、2 点、3 点、または 4 点マトリックス補正はファームウェアにあらかじめプログラムされている補正方法です。
最終校正	次回の校正通知を設定します (デフォルト: 60 日)。最終校正日から設定した期間が経過すると、センサを校正するための通知が画面に表示されます。 例えば、最終校正日が 6 月 15 日で、最終校正が 60 日に設定されている場合、8 月 14 日に校正通知が画面に表示されます。8 月 14 日より前の 7 月 15 日にセンサを校正した場合、9 月 13 日に校正通知が画面に表示されます。
センサ稼働日数	センサ交換の通知を設定します (デフォルト: 365 日)。設定した期間が経過すると、センサを交換するための通知が画面に表示されます。 センサ稼働日数カウンタは、診断/テスト > カウンタメニューに表示されます。 センサ交換後、診断/テスト > カウンタメニューのセンサ稼働日数カウンタをリセットします。
インピーダンス制限値	有効な電極と比較電極間のインピーダンスの下限と上限を設定します。
設定のリセット	設定メニューをデフォルト設定に戻し、カウンタをリセットします。すべてのセンサ情報が失われます。

5.3 センサの校正

▲ 警告



液圧の危険性があります。センサを圧力容器から外すことは危険を招く恐れがあります。取り外す前に、プロセス圧力を 7.25 psi (50 kPa) 未満に下げてください。これが可能でない場合、特別な注意が必要です。詳細は取り付けるハードウェアに付属のドキュメントを参照します。

▲ 警告



化学物質による人体被害の危険。検査室の安全手順に従い、取り扱う薬品に適した個人用保護具をすべて装着してください。安全手順に関する現在の安全性データシート (MSDS/SDS) を参照してください。

▲ 注意



化学物質による人体被害の危険。化学物質および廃液は、地域、県、または国の環境規制に従って廃棄してください。

5.3.1 センサの校正について

校正によってセンサの読み取り値が1つまたは複数の標準液の値と一致するように調整します。センサの特性は経時的にゆっくり変化するため、センサの精度が損なわれます。センサは精度を維持するために定期的に校正する必要があります。校正の頻度は、アプリケーションによって異なりますので、経験的に判断するのが最適です。

温度素子は、pH/ORP 電極および比較電極に影響を及ぼす温度変化に対し、25℃でのpH測定値へ自動的に調整するために使用されます。この調整は、プロセス温度が一定であれば、お客様が手動で行うこともできます。

校正中はデータはデータログに送信されません。このように、データログはデータが途絶える領域があります。

5.3.2 校正オプションの変更

pH/ORP モジュールに接続したセンサの場合、ユーザーはソフトウェアバージョンメニューから通知設定したり、校正データにオペレータ ID を入力することができます。

注: SC デジタルゲートウェイにより接続したセンサには適用されません。

1. メインメニューアイコンを選択して、**変換器**を選択します。使用可能なすべての計器のリストが表示されます。
2. センサを選択し、**通知 > 校正**を選択します。
3. **ソフトウェアバージョン**を選択します。
4. オプションを選択します。

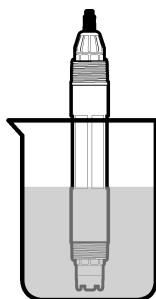
オプション	解説
緩衝標準溶液の選択	pH センサの場合のみ — 自動補正校正に使用する pH 緩衝液を設定します。オプション: 4.00、7.00、10.00 (デフォルトセット)、DIN 19267 (pH 1.09、4.65、6.79、9.23、12.75)、または NIST 4.00、6.00、9.00 注: 校正に 1 点校正または 2 点値校正を選択した場合、他の緩衝液を使用できます。
校正通知	次の校正通知を設定します (デフォルト: オフ)。最終校正日から設定した期間が経過すると、センサを校正するための通知が画面に表示されます。 例えば、前回の校正日が 6 月 15 日で、最終校正が 60 日に設定されている場合、8 月 14 日に校正通知が表示されます。8 月 14 日より前の 7 月 15 日にセンサを校正した場合、9 月 13 日に校正通知が画面に表示されます。
センサ S/N	オペレータ ID を校正データに入力します。はいまたはいいえ (デフォルト)。ID は校正時に入力します。

5.3.3 pH 校正手順

1 種類または 2 種類の標準液で pH センサを校正します (1 点または 2 点校正)。緩衝標準溶液は自動的に認識されます。

1. 最初の標準液 (緩衝液または既知の値の試料) にセンサを入れます。プローブのセンサ部分が液体に完全に浸漬していることを確認します (図 4)。

図 4 標準液中のセンサ



2. センサと試料または標準液の温度が均一になるのを待ちます。試料水と標準液の温度差が大きい場合は、30分以上かかる場合があります。
3. メインメニューアイコンを選択して、**変換器**を選択します。使用可能なすべての計器のリストが表示されます。
4. センサを選択し、**通知 > 校正**を選択します。
5. 次のいずれかの校正の種類を選択します。

オプション	解説
1点緩衝液校正 (または 1点マニュアル補正)	校正に1種類の緩衝液を使用します(例: pH 7)。pH 緩衝液の選択 注: 校正 > ソフトウェアバージョン > 緩衝標準溶液の選択メニュー (または 設定 > 緩衝標準溶液の選択メニュー)で緩衝液セットを選択してください。
2点緩衝液校正 (または 2点自動補正)	校正に2種類の緩衝液を使用します(例: pH 7 および pH 4)。校正中に、センサによって緩衝液が自動的に識別されます。 注: 校正 > ソフトウェアバージョン > 緩衝標準溶液の選択メニュー (または 設定 > 緩衝標準溶液の選択メニュー)で緩衝液セットを選択してください。
1点値校正 (または 1点マニュアル補正)	校正に既知の値のサンプル(または1種類の緩衝液)を使用します。サンプルのpH値は、別の装置で確認してください。校正中にpH値を入力します。
2点値校正 (または 2点マニュアル補正)	校正に基地の値のサンプル(または2種類の緩衝液)を使用します。サンプルのpH値は、別の装置で確認してください。校正中にpH値を入力します。

6. 校正時の出力信号のオプションを選択します。

オプション	解説
アクティブ	校正手順中は、装置は最新の測定出力値を送信します。
ホールド	校正手順中は、センサの出力値は最新の測定値に保持されます。
転送	校正中は、設定されている出力値が送信されます。設定値を変更するには、変換器のユーザーマニュアルを参照します。

7. センサを最初の標準液に入れた状態で、**OK**を押します。測定値が表示されます。
8. 値が安定するまで待つて、**OK**を押します。
注: 画面が自動的に次のステップに進みます。
9. 該当する場合は、pH値を入力して**OK**を押します。
注: 標準液が緩衝液の場合は、緩衝液の瓶で緩衝液の温度のpH値を見つけます。標準液が試料の場合は、異なる装置を使用して試料のpH値を特定します。
10. 2点校正の場合は、次のように2番目の標準液を測定します。
 - a. センサを最初の溶液から取り出して、きれいな水ですすぎます。
 - b. センサを次の標準液に入れて、**OK**を押します。

- c. 値が安定するまで待って、OK を押します。
注: 画面が自動的に次のステップに進みます。
- d. 該当する場合は、pH 値を入力して OK を押します。

11. 校正結果を確認します。

- 「校正の準備ができました。」 — センサは校正済みで、サンプルを測定する準備ができています。傾きまたはオフセット値が表示されます。
- 「センサー不良。テクニカルサポートに連絡してください。」 — 校正スロープまたはオフセットが許容範囲外です。他の標準液で校正を繰り返します。必要に応じて、センサを洗浄してください。

12. OK を押します。

13. センサを測定状態に戻して、OK を押します。

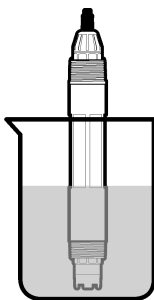
出力信号がアクティブ状態に戻り、測定サンプル値が測定画面に表示されます。

5.3.4 ORP 校正の手順

ORP センサを 1 つの標準液で校正します (1 点校正)。

1. センサを標準液 (標準液または既知の値のサンプル) に入れます。プローブのセンサ部分が溶液 (図 5) に完全に漬かっていることを確認します。

図 5 標準液中のセンサ



2. メインメニューアイコンを選択して、**変換器**を選択します。使用可能なすべての計器のリストが表示されます。
3. センサを選択し、**通知 > 校正**を選択します。
4. **1 点値校正** (または **1 点マニュアル補正**) を選択します。
5. 校正時の出力信号のオプションを選択します。

オプション 解説

アクティブ 校正手順中は、装置は最新の測定出力値を送信します。

ホールド 校正手順中は、センサの出力値は最新の測定値に保持されます。

転送 校正中は、設定されている出力値が送信されます。設定値を変更するには、変換器のユーザーマニュアルを参照します。

6. センサを標準液またはサンプルに入れた状態で、OK を押します。測定値が表示されます。
7. 値が安定するまで待って、OK を押します。
注: 画面が自動的に次のステップに進みます。
8. サンプルを校正に使用する場合は、2 次検証計測器でサンプルの ORP 値を測定します。測定値を入力し、OK を押します。
9. 校正に標準液を使用する場合は、ボトルに記載されている ORP 値を入力してください。OK を押します。

10. 校正結果を確認します。

- 「校正の準備ができました。」 — センサは校正済みで、サンプルを測定する準備ができています。傾きまたはオフセット値が表示されません。
- 「センサー不良。テクニカルサポートに連絡してください。」 — 校正スロープまたはオフセットが許容範囲外です。他の標準液で校正を繰り返します。必要に応じて、センサを洗浄してください。

11. OK を押します。

12. センサを測定状態に戻して、OK を押します。

出力信号がアクティブ状態に戻り、測定サンプル値が測定画面に表示されます。

5.3.5 温度校正

測定器は出荷時に正確な温度測定になるように校正されていますが、精度を高めるために温度校正が可能です。

1. 容器の水にセンサを入れます。
2. 正確な温度計または他の計測器で水の温度を測定します。
3. メインメニューアイコンを選択して、**変換器**を選択します。使用可能なすべての計器のリストが表示されます。
4. センサを選択し、**通知 > 校正**を選択します。
5. pH/ORP モジュールにより接続したセンサの場合は、次の手順を実行します。
 - a. **温度値を入力**を選択します。
 - b. 値が安定するまで待ってから、**OK** を押します。
 - c. 正確な値を入力して **OK** を押します。
6. SC デジタル ゲートウェイにより接続したセンサの場合は、次の手順を実行します。
 - a. **温度調整**を選択します。
 - b. 値が安定するまで待ってから、**OK** を押します。
 - c. **温度の編集**を選択します。
 - d. 正確な値を入力して **OK** を押します。
7. センサを測定状態に戻し、ホームアイコンを押します。

5.3.6 校正手順の終了

1. 校正を終了するには、戻るアイコンを押します。
2. オプションを選択し、**OK** を押します。

オプション	解説
点 2 (またはキャンセル)	校正を停止します。最初から新しい校正を開始しなければなりません。
校正に戻る	校正に戻ります。
点 1 (または終了)	一時的に校正を終了します。他のメニューにアクセスすることができます。2 番目のセンサ (接続されている場合) の校正を開始できます。

5.3.7 校正のリセット

校正設定をデフォルト設定に戻すことができます。すべてのセンサ設定が初期化されます。

1. メインメニューアイコンを選択して、**変換器**を選択します。使用可能なすべての計器のリストが表示されます。
2. センサを選択し、**通知 > 校正**を選択します。

3. 予測される残存寿命 (または設定のリセット) を選択し、OK を押します。
4. OK をもう一度押します。

5.4 インピーダンス測定

pH 測定の信頼性向上のため、変換器によりガラス電極のインピーダンスが測定されます。この測定は毎分実行されます。診断中には、pH 測定の読み取り値が 5 秒間保留の状態になります。エラーのメッセージが表示された場合は、[エラーリスト 121](#) ページを参照して、詳細についてご確認ください。

センサのインピーダンス測定を有効/無効にするには:

1. メインメニューアイコンを選択して、**変換器**を選択します。使用可能なすべての計器のリストが表示されます。
2. 計器を選択し、**通知 > 診断/テスト**を選択します。
3. pH/ORP モジュールにより接続したセンサの場合は、**インピーダンスステータス**を選択します。
4. SC デジタルゲートウェイにより接続したセンサの場合は、**信号 > インピーダンスステータス**を選択します。
5. **有効**または **無効**を選択し、OK を押します。

pH/ORP 電極と比較電極のインピーダンス測定値を表示するには、**温度補償インピーダンス** (または**信号**) を選択し、OK を押します。

5.5 Modbus レジスタ

ネットワーク通信用に Modbus レジスタのリストを用意しています。詳細は、メーカーの Web サイトを参照してください。

第 6 章 メンテナンス

▲ 警告



複合的な危険。本書のこのセクションに記載されている作業は、必ず資格のある作業員が行う必要があります。

▲ 警告



爆発の危険性があります。危険でないことが分かっている環境では、機器の接続や取り外しを行わないでください。危険な場所での使用方法については、コントローラのクラス 1、ディビジョン 2 の説明書を参照してください。

▲ 警告



液圧の危険性があります。センサを圧力容器から外すことは危険を招く恐れがあります。取り外す前に、プロセス圧力を 7.25 psi (50 kPa) 未満に下げてください。これが可能でない場合、特別な注意が必要です。詳細は取り付けるハードウェアに付属の説明書を参照します。

▲ 警告



化学物質による人体被害の危険。検査室の安全手順に従い、取り扱う薬品に適した個人用保護具をすべて装着してください。安全手順に関する現在の安全性データシート (MSDS/SDS) を参照してください。

▲ 注意



化学物質による人体被害の危険。化学物質および廃液は、地域、県、または国の環境規制に従って廃棄してください。

6.1 メンテナンス計画

表 3 に、メンテナンス作業の推奨スケジュールを示します。設備条件および運用条件によっては、一部の作業頻度が多くなる可能性があります。

表 3 メンテナンススケジュール

メンテナンス タスク	1 年	必要に応じて
センサの洗浄 117 ページ		X
塩橋の交換 117 ページ	X	
センサの校正 111 ページ	規制機関や経験による設定	

6.2 センサの洗浄

必要条件: ラノリンを含まず表面を傷付けない食器用洗剤を薄めた溶液を用意します。ラノリンを使用すると、電極面に皮膜が発生し、センサの性能を低下させます。

センサを定期的に点検して、汚れや沈殿物がないことを確認してください。沈殿物が付着していたり、性能が低下した場合は、センサを清掃してください。

- きれいなやわらかい布を使ってセンサの先端部からごみを取り除いてください。センサを温水ですすぎ洗います。
- センサを石鹼液に 2、3 分浸漬します。
- やわらかい毛ブラシを使ってセンサの測定部全体をこすってください。
- 汚れが残っている場合は、< 5% HCl などの希酸溶液にセンサの測定端を最大 5 分間浸漬してください。
- センサを水ですすぎ、2、3 分間石鹼液に再度浸漬します。
- センサを清潔な水ですすぎ洗います。

注: HF アプリケーション用のアンチモン電極付きセンサの場合は、さらに清掃が必要になることがあります。技術サポートにお問い合わせください。

メンテナンス作業後は必ずセンサの校正を行ってください。

6.3 塩橋の交換

塩橋と内部液は 1 年に 1 回、またはセンサの洗浄後に校正が失敗したときに交換してください。

注: www.Hach.com で、塩橋の交換方法を示すビデオを視聴できます。塩橋の Web ページに移動し、[ビデオ] タブをクリックします。

用意するもの:

- 調整可能なモンキーレンチ
- 大型のピンセット
- 塩橋
- 内部液
- ゲル粉末³、小さじ 1/8

- センサを洗浄します。[センサの洗浄 117 ページ](#) を参照してください。
- 塩橋と内部液を交換します。下図に示す手順を参照してください。

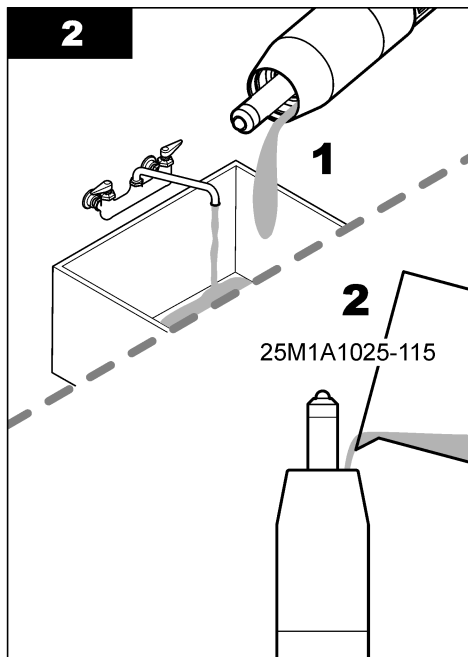
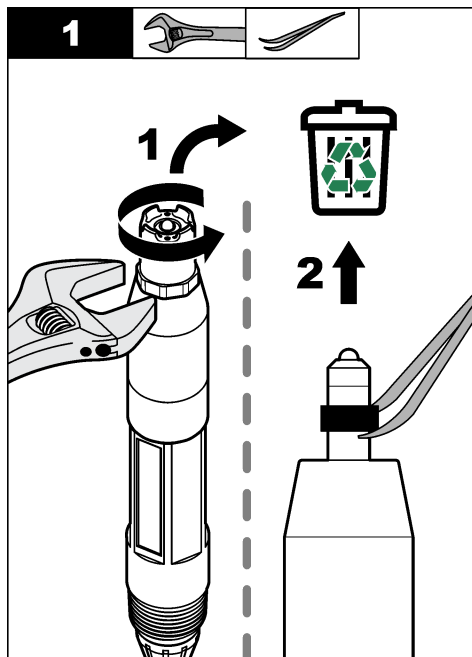
通常とは異なり内部液の容器にゲルが含まれている場合、図の手順 2 に示すようにウォーターピックタイプの器具からの水の噴射を使用して古いゲルを取り除きます。

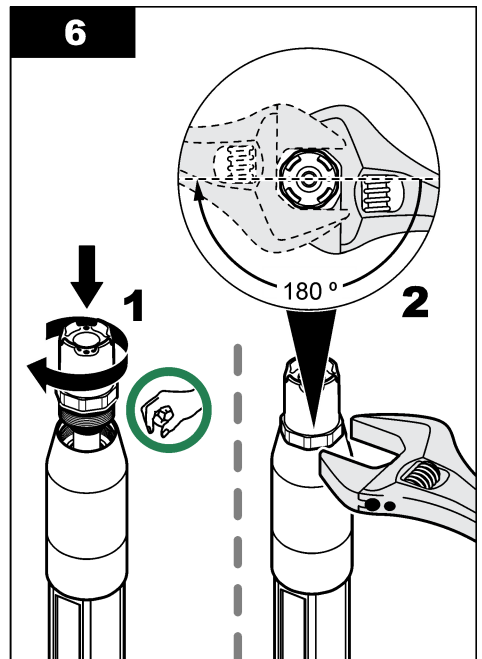
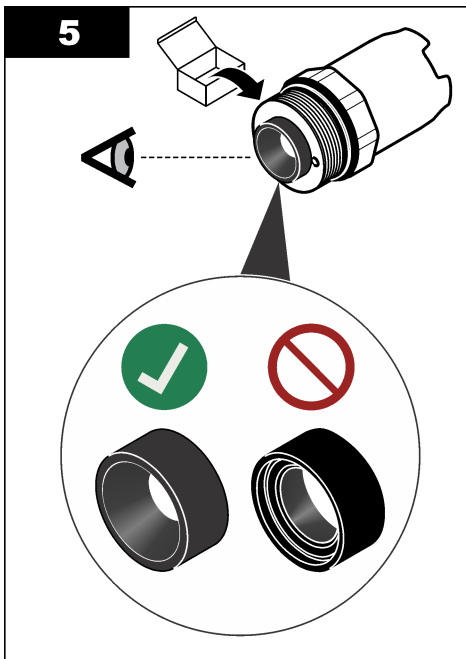
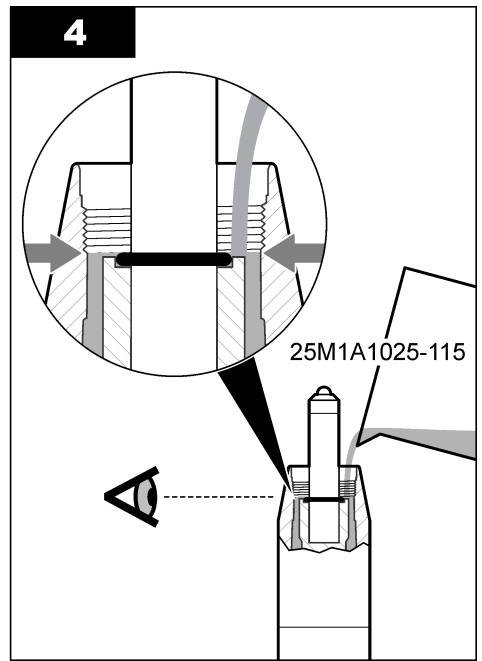
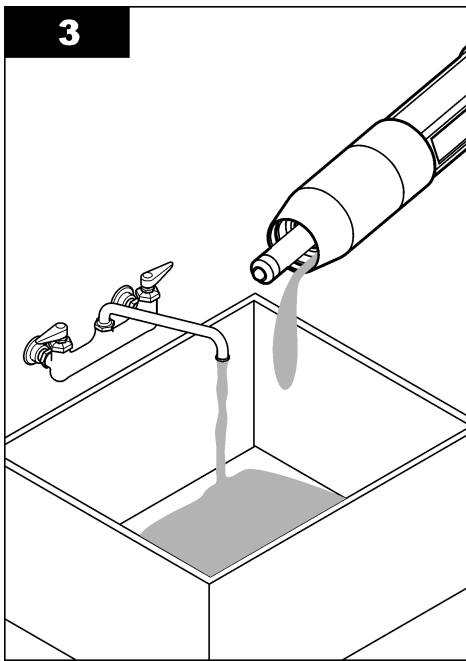
³ (オプション) プロセス水が沸点近くになったら、内部液にゲル粉末を加えます。ゲル粉末は、内部液の蒸発率を減らします。

プロセス水が沸点近くになったら、図の手順 4 に示すように新しい内部液にゲル粉末を加えます。

- a. 内部液の容器にゲル粉末をボトルキャップの 1 レベル分 (小さじ $\frac{1}{8}$) 注ぎます。
- b. 少量の未使用の内部液を容器に注ぎます。
- c. 溶液がどろどろになるまで粉末を混ぜ合わせます。
- d. 少量の溶液を加え、ゲルレベルが塩橋のネジの最下部に達するまでかき混ぜます。
- e. 新しい塩橋を取り付けてから取り外して、適切なゲルレベルになっているかをチェックします。塩橋の跡がゲルの表面に残るはずではありません。

3. センサを校正します。





6.4 保管準備

短期間保管する場合 (センサを 1 時間以上動作させない場合) は、保護キャップに pH 4 の緩衝液または蒸留水を入れて、センサに取り付けます。センサを動作させたときに応答が遅くならないよう、プロセス用電極とジャンクション参照電極の塩橋を湿った状態に保ってください。

長期間保管の場合は、短期間保管手順を 2 ~ 4 週間ごとに実施してください (環境条件によって異なります)。保管温度の制限については、仕様 104 ページを参照してください。

第 7 章 トラブルシューティング

7.1 間歇的データ

校正中はデータはデータログに送信されません。このように、データログはデータが途絶える領域があります。

7.2 pH センサのテスト

準備: 2 つの pH 緩衝液とマルチメーター

校正が失敗した場合は、最初に [メンテナンス 116](#) ページのメンテナンス手順を完了してください。

1. センサを pH 7 緩衝液に入れて、センサと緩衝液の温度が室温に達するまで待ちます。
2. モジュールまたはデジタルゲートウェイから赤、緑、黄色、および黒のセンサワイヤを抜きます。
3. 黄色と黒の配線間の抵抗を測定し、温度素子の動作を確認します。抵抗は約 25°C で 250 オームから 350 オームの間にあるはずです。
温度エレメントが良好であれば、黄色と黒のワイヤをモジュールに再度接続します。
4. マルチメーターの (+) リード線を赤いワイヤ、(-) リード線を緑のワイヤに接続して、DC mV を測定します。読み取り値は -50 mV ~ +50 mV の間になるはずです。
読み取り値がこれらのリミットから外れている場合は、センサを清掃し、ソルトブリッジと標準セル溶液を交換してください。
5. マルチメーターをそのまま接続した状態で、センサを水ですすぎ、pH 4 または pH 10 の緩衝液に入れます。センサと緩衝液の温度が室温に達するまで待ちます。
6. pH 4 または pH 10 緩衝液の mV の読み取り値と、pH 7 緩衝液の mV の読み取り値を比較します。読み取り値の差が約 160mV でなければなりません。
差が 160 mV 未満の場合は、技術サポートにお問い合わせください。

7.3 ORP センサのテスト

準備: 200 mV ORP 標準液、マルチメーター

校正が失敗した場合は、最初に [メンテナンス 116](#) ページのメンテナンス手順を完了してください。

1. センサを 200 mV の標準液に入れて、センサと溶液の温度が室温に達するまで待ちます。
2. モジュールまたはデジタルゲートウェイから赤、緑、黄色、および黒のセンサワイヤを抜きます。
3. 黄色と黒のワイヤ間の抵抗を測定して、温度エレメントの動作を確認します。抵抗は約 25°C で 250 ~ 350 オームになるはずです。
温度エレメントが良好であれば、黄色と黒のワイヤをモジュールに再度接続します。
4. マルチメーターの (+) リード線を赤いワイヤ、(-) リード線を緑のワイヤに接続して、DC mV を測定します。読み取り値は 160 mV から 240 mV の間になるはずです。
読み取り値がこれらのリミットから外れている場合は、技術サポートにお電話ください。

7.4 診断/テストメニュー

診断/テストメニューには、センサの現在の情報と履歴情報が表示されます。表 4 を参照します。メインメニューアイコンを押して、**変換器**を選択します。デバイスを選択し、**通知 > 診断/テスト**を選択します。

表 4 診断/テストメニュー

オプション	解説
30 分	pH/ORP モジュールにより接続したセンサの場合のみ — センサモジュールのバージョンとシリアル番号を表示します。
センサ情報	pH/ORP モジュールにより接続したセンサの場合のみ — ユーザーが入力したセンサ名とシリアル番号を表示します。 SC デジタル ゲートウェイにより接続したセンサの場合のみ — センサのモデル番号、ユーザーが入力したセンサ名、およびセンサのシリアル番号を表示します。インストールされているソフトウェアのバージョンとドライバのバージョンを表示します。
最終校正	pH/ORP モジュールにより接続したセンサの場合のみ — 前回の校正が行われてからの日数を表示します。
校正履歴	pH/ORP モジュールにより接続したセンサの場合 — 前回の校正の校正スロープと日付を表示します。 SC デジタルゲートウェイにより接続したセンサの場合 — 前回の校正の校正スロープと日付を表示します。
センサが接続されました	pH/ORP モジュールにより接続したセンサの場合のみ — サービス専用
インピーダンスステータス	pH センサの場合のみ — インピーダンス測定 116 ページを参照します。
温度補償インピーダンス (または信号)	pH/ORP モジュールにより接続した pH センサの場合のみ — 現在の読み取り値を mV で表示します。 SC デジタルゲートウェイにより接続した pH センサの場合のみ — 現在の読み取り値 (mV) とアナログ/デジタル変換器のカウントを表示します。 インピーダンスステータスが有効に設定されている場合、pH/ORP 電極と比較電極のインピーダンスを表示します。
センサ稼働日数 (またはカウンタ)	pH/ORP モジュールにより接続したセンサの場合のみ — センサが稼働している日数を表示します。 SC デジタル ゲートウェイにより接続したセンサの場合のみ — センサが稼働している日数を表示します。不具合のある電極が正常な電極と交換されると判別されると、電極稼働日数カウンタがゼロにリセットされます。 センサ稼働日数カウンタをゼロにリセットするには、 リセット を選択します。 センサ (または塩橋) を交換した場合も、センサ稼働日数カウンタをリセットします。

7.5 エラーリスト

エラーが発生すると、測定画面の測定値が点滅し、**変換器 > 警告メニュー**で指定した場合は、すべての出力が保持されます。画面が赤に変わります。診断バーにエラーが表示されます。診断バーを押すと、エラーや警告が表示されます。別の方法として、メインメニューアイコンを押して、**情報 > 一般**を選択します。

A list of possible errors is shown in 表 5.

表 5 エラーリスト

エラー	説明	解決方法
活性電極のインピーダンスが低すぎます。	測定 pH が > 14。	センサの校正を行うか、交換してください。
活性電極のインピーダンスが高すぎます。	測定された ORP 値が > 2100 mV です。	
ORP 値が高すぎます。	測定 pH が < 0。	センサの校正を行うか、交換してください。
基準電極のインピーダンスが高すぎます。	測定 ORP 値が < -2100 mV。	
オフセット値が高すぎます。	オフセットが > 9 (pH) または 200 mV (ORP)。	センサのメンテナンス手順に従ってから校正を繰り返すか、センサを交換してください。
オフセット値が低すぎます。	オフセットが < 5 (pH) または -200 mV (ORP) です。	
勾配が高すぎます。	スロープが > 62 (pH)/1.3 (ORP)。	未使用の緩衝液か試料で校正を繰り返すか、センサを交換してください。
勾配が低すぎます。	スロープが < 50 (pH)/0.7 (ORP)。	センサを清掃してから校正を繰り返すか、センサを交換してください。
pH 値が高すぎます。	測定温度が > 130°C です。	正しい温度素子を選択してあることを確認します。
pH 値が低すぎます。	測定温度が < -10 °C です。	
オフセットが低すぎます。	2 点自動補正用の緩衝液が同じ値です。	Complete the steps in pH センサのテスト 120 ページ。
センサが見つかりません。	センサが見つからないか接続されていません。	センサとモジュール (またはデジタルゲートウェイ) の配線と接続を確認します。
温度が低すぎます。	温度センサが見つかりません。	温度センサの配線を調べてください。正しい温度素子を選択してあることを確認してください。
ガラスインピーダンスが低すぎます。	ガラス球が破損しているか寿命に達しました。	センサを交換します。技術サポートにお問い合わせください。

7.6 警告リスト

警告は、メニュー、リレー、出力の操作には影響を与えません。画面が黄褐色に変わります。診断バーに警告が表示されます。診断バーを押すと、エラーや警告が表示されます。別の方法として、メインメニューアイコンを押して、**情報 > パスワード**を選択します。

A list of possible warnings is shown in 表 6.

表 6 警告リスト

Warning(警告)	説明	解決方法
pH が高すぎます。	測定 pH が > 13。	センサの校正を行うか、交換してください。
活性電極のインピーダンスが高すぎます。	測定 ORP 値が > 2100 mV。	
pH が低すぎます。	測定 pH が < 1。	センサの校正を行うか、交換してください。
基準電極のインピーダンスが高すぎます。	測定 ORP 値が < -2100 mV。	

表 6 警告リスト (続き)

Warning(警告)	説明	解決方法
オフセット値が高すぎます。	オフセットが > 8 (pH) または 200 mV (ORP)。	センサのメンテナンス手順に従ってから校正を繰り返してください。
オフセット値が低すぎます。	オフセットが < 6 (pH) または -200 mV (ORP)。	
勾配が高すぎます。	スロープが > 60 (pH)/1.3 (ORP)。	未使用の緩衝液か試料で校正を繰り返してください。
勾配が低すぎます。	スロープが < 54 (pH)/0.7 (ORP)。	センサを清掃してから校正を繰り返してください。
温度が高すぎます。	測定温度が > 100 °C です。	正しい温度素子を選択してあることを確認してください。
温度が低すぎます。	測定温度が < 0 °C。	
温度が範囲外です。	測定温度が > 100 °C または < 0 °C です。	
温度が高すぎます。	校正通知時期が過ぎました	センサを校正します。
TDS 単位	センサが校正されていません。	センサを校正します。
センサを交換します。	センサ稼働日数カウンタが、センサ交換に選択された間隔を超えています。を参照してください センサの設定 109 ページ。	センサ (または塩橋) を交換します。診断/テスト > リセットメニュー (または診断/テスト > カウンタメニューでセンサ稼働日数カウンタをリセットします)。
[OK] を押して、ユーザー 校正をデフォルト校正に置き換えます。	校正が開始されましたが、完了していません。	校正に戻ります。
新しいセンサですか?	温度センサが校正されていません。	温度校正を行います。

목차

- 1 추가 정보 124 페이지
- 2 사양 124 페이지
- 3 일반 정보 125 페이지
- 4 설치 127 페이지
- 5 작동 129 페이지
- 6 유지 보수 136 페이지
- 7 문제 해결 140 페이지

섹션 1 추가 정보

세부 사용 설명서는 제조업체 웹 사이트에서 제공합니다.

섹션 2 사양

사양은 사전 예고 없이 변경될 수 있습니다.

제품에는 승인 목록과 제품과 함께 공식적으로 제공된 등록, 인증서 및 선인만 있습니다. 허용되지 않은 용도로 이 제품을 사용하는 것은 제조업체의 승인을 받지 않았습니다.

사양	세부 사항
크기(길이/직경)	pHD: 271mm(10.7인치)/35mm(1.4인치); 1인치 NPT; LCP(액정 고분자): 187mm(7.35인치)/51mm(2인치); 1½인치 NPT
무게	316g(11온스)
오염도	2
과전압 범주	I
보호 등급	III
사용 고도	최대 2000 m(6562 ft)
작동 온도	5~105°C(23~221°F)
보관 온도	4~70°C(40~158°F), 상대 습도 0~95%, 비응축
습식 재질	PEEK 또는 PPS 폴리페닐렌설파이드(PVDF) 물체, 유리 공정 전극, 티타늄 접지 전극 및 FKM/FPM O링 실링 참고: 선택 사항인 HF-저항 유리 공정 전극이 포함된 pH 센서에는 316 스테인리스강 접지 전극 및 파블화탄성 체 습윤 오링이 제공됩니다.
측정 범위	pH 센서: -2~14pH ¹ (또는 2.00~14.00) ORP 센서: -1,500~+1,500mV
센서 케이블	pHD: 5-전도체(및 차폐 2개), 6m(20피트); LCP: 5-전도체(및 차폐 1개), 3m(10피트)
구성 부품	부식 방지 재질, 완전 침수형
분해능	pH 센서: ±0.01pH ORP 센서: ±0.5mV
최대 유량	최대 3m/s(10피트/초)
압력 한도	105°C에서 6.9bar(221°F에서 100psi)
전송 거리	최대 100m(328피트) 최대 1,000m(3,280피트), 종료 상자 포함
온도 요소	작동 온도 보정 및 분석 온도 관독용 NTC 300Q 서미스터

¹ 대부분의 pH는 2.5~12.5pH에서 작동됩니다. 광범위한 유리 공정 전극을 사용한 pHD 차등 pH 센서는 이 범위에서 가장 잘 작동합니다. 일부 산업용 응용 분야에서는 정확한 측정 및 2pH 미만 또는 12pH 이상의 제어가 필요합니다. 이런 특수 경우에는 자세한 내용을 제조업체에 문의하십시오.

사양	세부 사항
온도 보정	NTC 300Ω 서미스터에서 -10~105°C(14.0~221°F), Pt 1,000Ω RTD 또는 Pt 100Ω RTD 온도 요소에서 자동 또는 사용자 설정 온도에서 수동 고정
교정법	1 또는 2 지점 자동 또는 수동
센서 인터페이스	sc 디지털 게이트웨이에서 Modbus RTU 또는 pH/ORP 모듈
인증	ETL(미국/캐나다)가 나열한 클래스 1, 부문 2, 그룹 A, B, C, D에 사용하는 온도 코드 T4 - 위험 영역(Hach SC 컨트롤러의 경우). 다음을 준수합니다. CE, UKCA, FCC, ISED, ACMA, KC, CMIM, NM

섹션 3 일반 정보

어떠한 경우에도 제조업체는 제품의 부적절한 사용 또는 설명서의 지침을 준수하지 않아 발생하는 손해에 대해 책임을 지지 않습니다. 제조업체는 본 설명서와 여기에 설명된 제품을 언제라도 통지나 추가 가격 책임 없이 변경할 수 있습니다. 개정본은 제조업체 웹 사이트에서 확인할 수 있습니다.

3.1 안전 정보

제조사는 본 제품의 잘못된 적용 또는 잘못된 사용으로 인한 직접, 우발적 또는 간접적 손해에 국한하지 않는 모든 손해에 대한 어떠한 책임도 지지 않으며, 관계 법령이 최대한 허용하는 손해에 관한 면책이 있습니다. 사용자는 사용상 중대한 위험을 인지하고 장비 오작동이 발생할 경우에 대비하여 적절한 보호 장치를 설치하여야 합니다.

장치 포장을 풀거나 설치하거나 작동하기 전에 본 설명서를 모두 읽으십시오. 모든 위험 및 주의사항 설명에 유의하시기 바랍니다. 이를 지키지 않으면 사용자가 중상을 입거나 장치가 손상될 수 있습니다.

본 장치의 보호 기능이 손상되지 않도록 본 설명서에서 설명하는 방법이 아닌 다른 방법으로 본 장치를 사용하거나 설치하지 마십시오.

3.1.1 위험 정보 표시

▲ 위험
지키지 않을 경우 사망하거나 또는 심각한 부상을 초래하는 잠재적 위험이나 긴급한 위험 상황을 뜻합니다.
▲ 경고
피하지 않을 경우에 사망이나 심각한 부상을 유발할 수 있는 잠재적 위험이나 긴급한 위험 상황을 나타냅니다.
▲ 주의
경미하거나 심하지 않은 부상을 초래할 수 있는 잠재적인 위험 상황을 뜻합니다.
주의사항
지키지 않으면 기기에 손상을 일으킬 수 있는 상황을 나타냅니다. 특별히 강조할 필요가 있는 정보.

3.1.2 주의 라벨

본 기기에 부착된 모든 라벨 및 태그를 참조하시기 바랍니다. 지침을 따르지 않을 경우 부상 또는 기기 손상이 발생할 수 있습니다. 기기에 있는 기호는 주의사항에 대한 설명과 함께 설명서에서 참조합니다.

	기기에 이 심볼이 표시되어 있으면 지침서에서 작동 및 안전 주의사항을 참조해야 합니다.
	이 심볼이 표시된 전기 장비는 유럽 내 공공 폐기 시스템에 따라 폐기할 수 없습니다.

3.2 제품 개요

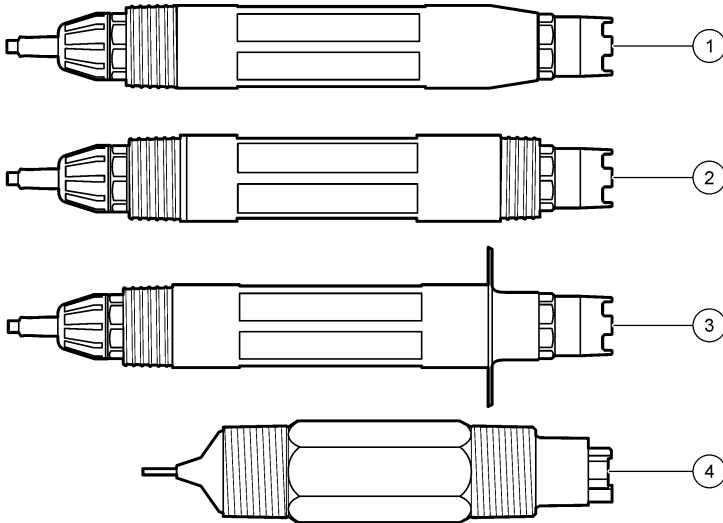
본 센서는 컨트롤러와 함께 사용하여 데이터를 수집하고 작업을 수행하도록 설계되었습니다. 다양한 컨트롤러를 이 센서와 함께 사용할 수 있습니다. 본 문서는 센서가 설치되었고 SC4500 컨트롤러와 함께 사용하는 조건에 맞게 작성되었습니다. 센서를 다른 컨트롤러와 함께 사용하려면 사용하는 컨트롤러의 사용 설명서를 참조하십시오.

센서 장착 하드웨어 등 옵션 장비에 대한 설치 지침이 함께 제공됩니다. 여러 장착 옵션을 사용할 수 있으며 매우 다양한 환경에서 센서를 사용할 수 있습니다.

3.3 센서 스타일

센서는 여러 스타일로 제공됩니다. **그림 1**을(를) 참조하십시오.


그림 1 센서 스타일





1 삽입—공정 흐름을 중단하지 않고 제거가 가능	3 위생—2인치 위생 터에 설치
2 컨버터블—파이프 티 또는 개방 용기의 침적에 사용	4 컨버터블—LCP 유형

섹션 4 설치

4.1 장착

▲ 경고	
	폭발 위험 위험 위치로 분류된 곳에 설치하는 경우 컨트롤러 클래스 1, 부문 2 설명서에 나와 있는 관리도면 및 지침을 참조하십시오. 현지, 지역, 국가 코드에 따라 센서를 설치하십시오. 안전한 환경으로 확인되지 않으면 기기를 연결하거나 분리하지 마십시오.

▲ 경고	
	폭발 위험 센서에 장착된 하드웨어의 온도 및 압력 등급이 장착 위치에 충분한지 확인합니다.

▲ 주의	
	신체 부상 위험. 깨진 유리에 베일 수 있습니다. 도구와 개인보호장비를 사용하여 깨진 유리를 제거합니다.

주의사항	
pH 센서 팁의 프로세스 전극에 있는 유리구가 깨질 수 있습니다. 유리 전구를 누르거나 밀지 마십시오.	

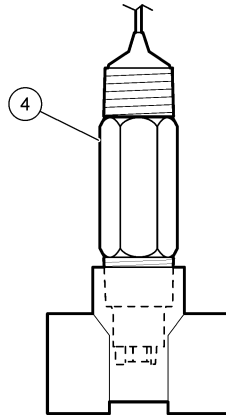
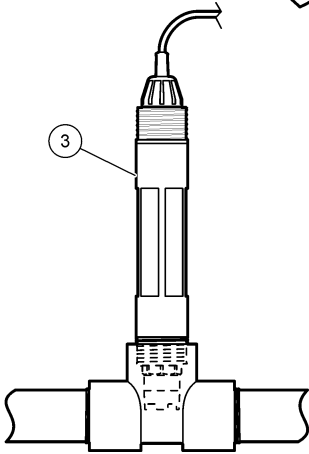
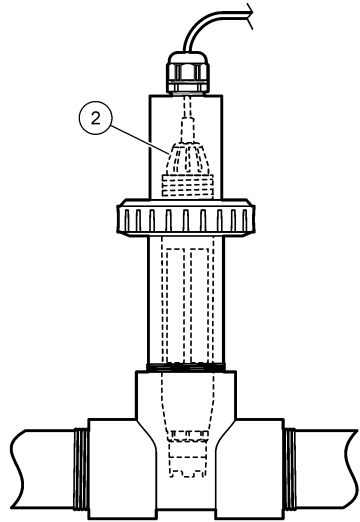
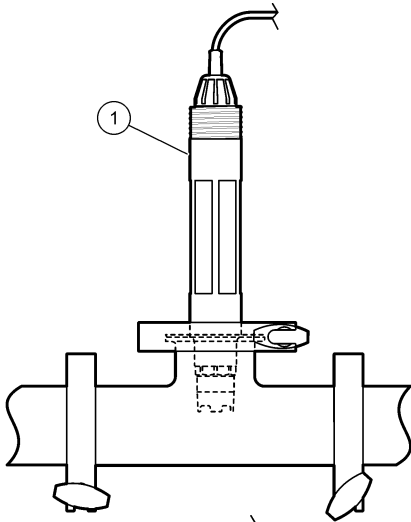
주의사항	
ORP 센서 끝의 Gold 또는 Platinum 공정 전극에는 유리 생크(염다리에 의해 숨겨짐)가 있어 파손될 수 있습니다. 유리 생크를 누르거나 밀지 마십시오.	

- 샘플 중 전체 공정처리 부분의 주요부에 센서를 설치합니다.
- Refer to the expanded user manual on the manufacturer's website for the available mounting hardware.
- 설치 정보는 장착 하드웨어와 함께 제공된 설명서를 참조하십시오.
- 센서를 수평에서 최소 15° 이상의 각도로 설치합니다.
- 침적 설치의 경우 센서를 폭기조 벽에서 최소 508mm(20인치) 이상 띄우고 배치하여 공정에 최소 508mm(20인치) 이상까지 센서를 담급니다.
- 센서를 공정에 사용하기 전에 보호 캡을 제거합니다. 나중에 사용할 수 있도록 보호 캡을 보관해 두십시오.
- (선택 사항) 공정 용수가 끓는 온도 근처에 있을 경우 젤 파우더를 추가합니다.² 센서에 있는 표준 셀 용액에. Refer to step 2 of **염다리 교체** 137 페이지. 염다리를 교체하지 마십시오.
- 사용하기 전에 센서를 교정합니다.

For examples of sensors in different applications, refer to **그림 2** and **그림 3**.

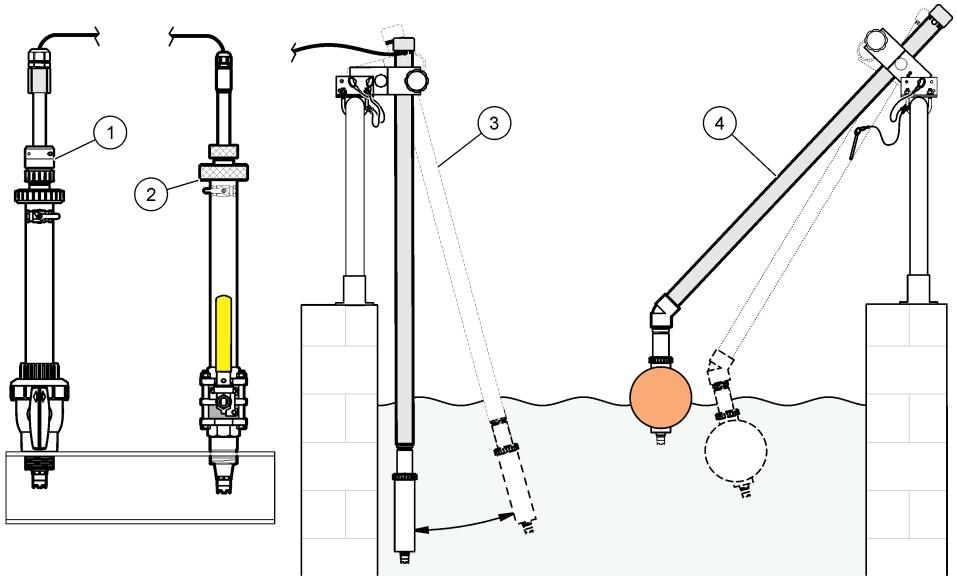
² 젤 파우더는 표준 셀 솔루션의 증발 속도를 감소시킵니다.

그림 2 장착 예(1)



1 위생 장착	3 흐름 통과 장착
2 유니언 장착	4 흐름 통과 장착—LCP 센서

그림 3 장착 예(2)



1 PVS 삽입 장착부	3 침적형 장착부
2 삽입 장착부,	4 침적형 장착부, 볼 부동

4.2 센서를 SC 컨트롤러에 연결

다음의 옵션에서 하나를 사용하여 센서를 SC 컨트롤러에 연결합니다.

- 센서를 sc 디지털 게이트웨이에 연결한 다음, sc 디지털 게이트웨이를 SC 컨트롤러에 연결합니다. 디지털 게이트웨이는 센서의 아날로그 신호를 디지털 신호로 변환합니다.
- 센서 모듈을 SC 컨트롤러에 설치합니다. 그런 다음 센서를 센서 모듈에 연결합니다. 센서 모듈은 센서에서 아날로그 신호를 디지털 신호로 변환합니다.

센서 모듈이나 sc 디지털 게이트웨이와 함께 제공되는 지침을 참조하십시오.

섹션 5 작동

5.1 사용자 탐색

터치스크린 설명 및 탐색 정보에 대한 컨트롤러 설명서를 참조하십시오.

5.2 센서 구성

설정 메뉴를 사용하여 센서 ID 정보를 입력하고 데이터 처리 및 보관에 필요한 옵션을 변경합니다.

1. 기본 메뉴 아이콘을 선택한 다음 **컨트롤러**를 선택합니다. 사용할 수 있는 모든 장치 목록이 표시됩니다.
2. 센서를 선택하고 **알림 > 설정**을 선택합니다.
3. 옵션을 선택합니다.
 - 센서가 pH/ORP 모듈에 연결된 경우 표 1을(를) 참조하십시오.
 - 센서가 sc 디지털 게이트웨이에 연결된 경우 표 2을(를) 참조하십시오.

표 1 pH/ORP 모듈에 연결된 센서

옵션	설명
이름	측정 화면 상단에서 센서에 해당하는 이름을 변경합니다. 이름은 문자, 숫자, 공백, 문장 부호를 조합하여 16자를 넘지 않아야 합니다.
현재 조정	사용자가 센서의 시리얼 번호를 입력합니다. 시리얼 번호는 문자, 숫자, 공백, 문장 부호를 조합하여 16자를 넘지 않아야 합니다.
형식	pH 센서만 해당하는 경우 — 측정 화면에 표시되는 소수점 자릿수를 XX.XX(기본값) 또는 XX.X로 변경합니다.
온도	온도 단위를 °C(기본값) 또는 °F로 설정합니다.
온도 요소	pH 센서 — 자동 온도 보상용 온도 요소를 PT100, PT1,000 또는 NTC300(기본값)으로 설정합니다. 요소가 사용되지 않은 경우에는 유형을 Manual(수동)으로 설정하고 온도 보상용 값을 입력할 수 있습니다(기본값: 25°C). ORP 센서 — 온도 보상이 사용되지 않습니다. 온도를 측정하기 위해 온도 요소를 연결할 수 있습니다.
필터	신호 안정도를 높이는 시간 상수를 설정합니다. 시간 상수는 지정된 시간 동안 평균값을 계산합니다. 0(효과 없음, 기본값) ~ 60초(60초에 대한 신호 값의 평균) 필터는 센서 신호가 프로세스의 실제 변화에 반응하는 시간을 늘립니다.
순수 H2O 보상	pH 센서만 해당하는 경우 — 온도 종속 보정을 첨가제가 포함된 순수에서 측정된 pH 값에 추가합니다. 옵션: 없음(기본값), 암모니아, 모트폴린, 사용자 정의. 공정 온도가 50 °C보다 높은 경우, 50 °C에서 보정을 사용합니다. 사용자 정의 적용 환경에서는 선행 기울기(기본값: 0 pH/°C)를 입력할 수 있습니다.
ISO 지점	pH 센서만 해당하는 경우 — pH 기울기가 온도 종속성인 등전위 지점을 설정합니다. 대부분 센서의 등전위 지점은 7.00pH(기본값)입니다. 다만 특수 응용 분야 센서의 등전위 값은 다를 수도 있습니다.
데이터 로거 간격	센서와 데이터 로그의 온도 측정 저장에 적용할 시간 간격을 5초, 30초, 1분, 2분, 5분, 10분, 15분(기본값), 30분, 60분으로 설정합니다.
모듈 정보	설정 메뉴를 통해 출고 기본값으로 설정하여 카운터를 재설정합니다. 그러면 모든 센서 정보가 손실됩니다.



표 2 sc 디지털 게이트웨이에 연결된 센서

옵션	설명
이름	측정 화면 상단에서 센서에 해당하는 이름을 변경합니다. 이름은 문자, 숫자, 공백, 문장 부호를 조합하여 12자를 넘지 않아야 합니다.
센서 선택	센서 유형(pH 또는 ORP)을 선택합니다.
형식	표 1을(를) 참조하십시오.
온도	표 1을(를) 참조하십시오.
데이터 로거 간격	센서와 데이터 로그의 온도 측정 저장에 적용할 시간 간격을 5초, 10초, 15초, 30초, 1분, 5분, 10분, 15분(기본값), 30분, 1시간, 2시간, 6시간, 12시간으로 설정합니다.

표 2 sc 디지털 게이트웨이에 연결된 센서 (계속)

옵션	설명
교류 주파수	전력 라인 주파수를 선택하여 노이즈를 완전 제거합니다. 옵션: 50Hz 또는 60Hz(기본값).
필터	표 1을(를) 참조하십시오.
온도 요소	표 1을(를) 참조하십시오.
완충제 표준 선택	pH 센서만 해당하는 경우 — 자동 보정 교정에 사용되는 pH 버퍼를 설정합니다. 옵션: 4.00, 7.00, 10.00(기본 설정) 또는 DIN 19267(pH 1.09, 4.65, 6.79, 9.23, 12.75) 참고: 교정에서 1이나 2-지점 수동 보정이 선택되면 다른 버퍼가 사용될 수 있습니다.
순수 H2O 보상	표 1을(를) 참조하십시오. 1, 2, 3 또는 4-지점 매트릭스 보정이 선택될 수도 있습니다. 1, 2, 3 또는 4-지점 매트릭스 보정은 펌웨어에 기본으로 프로그래밍된 보상 방식입니다.
마지막 교정	다음 교정을 위해 알람을 설정합니다(기본값: 60일). 센서 교정 알람은 마지막 교정 날짜로부터 선택된 주기가 지난 다음 화면에 표시됩니다. 가령 마지막 교정 날짜가 6월 15일이고 마지막 교정을 60일로 설정한 경우 교정 알람은 8월 14일 화면에 표시되며 됩니다. 센서가 8월 14일 이전인 7월 15일에 교정 되면 교정 알람이 9월 13일 화면에 표시됩니다.
센서 일	센서 교체 알람을 설정합니다(기본값: 365일). 센서 교체 알람은 선택된 주기가 지난 다음 화면에 표시됩니다. 센서 일 카운터는 진단/테스트 > 카운터 메뉴에 표시됩니다. 센서가 교체되면 센서 일 카운터를 진단/테스트 > 카운터 메뉴에서 재설정합니다.
임피던스 한계	활성 전극 및 기준 전극의 임피던스 한계를 높거나 낮게 설정합니다.
설정 재설정	설정 메뉴를 통해 출고 기본값으로 설정하여 카운터를 재설정합니다. 그러면 모든 센서 정보가 손실됩니다.

5.3 센서 교정

▲ 경고	
	액체 압력 위험. 가압 용기로부터 센서를 제거하는 작업은 위험할 수 있습니다. 제거하기 전에 공정 압력을 7.25psi(50kPa)보다 낮게 줄이십시오. 압력을 줄이는 것이 불가능하다면 각별한 주의가 기울어집니다. 자세한 내용은 장작 하드웨어와 함께 제공된 설명서를 참조하십시오.
▲ 경고	
	화학물질에 노출될 위험이 있습니다. 실험실의 안전절차를 준수하고, 취급하는 화학 물질에 맞는 개인 보호장비를 안전하게 착용하십시오. 최신 물질안전보건자료(MSDS/SDS)에서 안전 규정을 참조하십시오.

주의



화학물질에 노출될 위험이 있습니다. 화학물질 및 폐기물은 국가 및 지역 규정에 따라 폐기하십시오.

5.3.1 센서 교정 설명

교정을 통해 하나 이상의 기준 용액 값과 일치하도록 센서 판독값을 조정합니다. 시간에 따라 센서 특성이 천천히 변하여 센서의 정확도가 떨어집니다. 센서의 정확도를 유지하려면 주기적으로 교정해야 합니다. 교정 주기는 사용 환경에 따라 다르며 노련한 경험에 의한 판단이 가장 좋습니다.

활성 및 기준 전극에 영향을 미치는 온도 변화에 대해 25 °C로 자동 조정되는 pH 판독값을 제공하기 위해 온도 요소가 사용됩니다. 공정 온도가 일정한 경우에는 고객이 이 조정을 수동으로 설정할 수 있습니다.

교정하는 동안 데이터가 데이터로그로 전송되지 않습니다. 따라서 데이터가 불연속적인 영역이 데이터로그에 있을 수 있습니다.

5.3.2 교정 옵션 변경

pH/ORP 모듈에 연결된 센서의 경우 사용자가 알림을 설정하거나 소프트웨어 버전 메뉴에서 교정 데이터를 사용하는 작업자 ID를 포함할 수 있습니다.

참고: 이 절차는 센서가 sc 디지털 게이트웨이에 연결된 경우에는 적용되지 않습니다.

1. 기본 메뉴 아이콘을 선택한 다음 **컨트롤러**를 선택합니다. 사용할 수 있는 모든 장치 목록이 표시됩니다.
2. 센서를 선택하고 **알림 > 교정**을 선택합니다.
3. **소프트웨어 버전**을 선택합니다.
4. 옵션을 선택합니다.

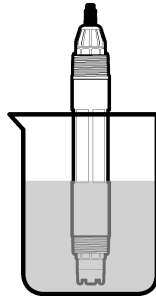
옵션	설명
완충제 표준 선택	pH 센서만 해당하는 경우 — 자동 보정 교정에 사용되는 pH 버퍼를 설정합니다. 옵션: 4.00, 7.00, 10.00(기본 설정), DIN 19267(pH 1.09, 4.65, 6.79, 9.23, 12.75) 또는 NIST 4.00, 6.00, 9.00 참고: 교정에서 1이나 2-지점 값 교정이 선택되면 다른 버퍼가 사용될 수 있습니다.
교정 알림	다음 교정을 위해 알림을 설정합니다(기본값: 꺼짐). 센서 교정 알림은 마지막 교정 날짜로부터 선택된 주기가 지난 다음 화면에 표시됩니다. 가령 마지막 교정 날짜가 6월 15일이고 마지막 교정을 60일로 설정한 경우 교정 알림은 8월 14일 화면에 표시되게 됩니다. 센서가 8월 14일 이전인 7월 15일에 교정되면 교정 알림이 9월 13일 화면에 표시됩니다.
센서 정보	작업자 ID를 교정 데이터에 포함합니다(예 또는 아니오(기본값)). ID는 교정 중에 입력됩니다.

5.3.3 pH 교정 절차

하나 또는 두 개의 참조 솔루션을 사용하여 pH 센서를 교정합니다(1점 또는 2점 보정). 표준 버퍼는 자동으로 인식됩니다.

1. 센서를 첫 번째 참조 솔루션(버퍼 또는 알려진 값의 샘플)에 넣습니다. 프로브의 센서 부분이 액체(그림 4)에 완전히 잠겼는지 확인합니다.

그림 4 기준 용액에 담긴 센서



2. 센서와 용액 온도가 안정될 때까지 기다립니다. 공정과 기준 용액의 온도차가 큰 경우 온도가 같아 지려면 30분 이상 걸리 수 있습니다.
3. 기본 메뉴 아이콘을 선택한 다음 **컨트롤러**를 선택합니다. 사용할 수 있는 모든 장치 목록이 표시됩니다.
4. 센서를 선택하고 **알림 > 교정**을 선택합니다.
5. 교정 유형을 선택합니다.

옵션	설명
1-지점 완충제 교정 (또는 1-지점 자동 보정)	보정 시 한 개의 버퍼 사용(예: pH 7). 센서는 보정 중 버퍼를 자동으로 식별합니다. 참고: 교정 > 소프트웨어 버전 > 완충제 표준 선택 메뉴(또는 설정 > 완충제 표준 선택 메뉴)에서 설정한 버퍼를 선택했는지 확인합니다.
2-지점 완충제 교정 (또는 2-지점 자동 보정)	보정 시 두 개의 버퍼 사용(예: pH 7 및 pH 4). 센서는 보정 중 버퍼를 자동으로 식별합니다. 참고: 교정 > 소프트웨어 버전 > 완충제 표준 선택 메뉴(또는 설정 > 완충제 표준 선택 메뉴)에서 설정한 버퍼를 선택했는지 확인합니다.
1-지점 값 교정 (또는 1-지점 매트릭스 보정)	기존 샘플 값 1개(또는 버퍼 1개)를 교정에 사용합니다. 다른 기기로 샘플의 pH 값을 확인합니다. 교정 중 pH 값을 입력합니다.
2-지점 값 교정 (또는 2-지점 수동 보정)	기존 샘플 값 2개(또는 버퍼 2개)를 교정에 사용합니다. 다른 기기로 샘플의 pH 값을 확인합니다. 보정 중 pH 값을 입력합니다.

6. 교정 중의 출력 신호 옵션을 선택합니다.

옵션	설명
활성	교정 절차 중에 현재 측정된 출력 값이 전송됩니다.
대기	센서 출력 값이 교정 절차 중에 현재 측정된 값으로 유지됩니다.
전송	사전 설정한 출력 값이 교정 중에 전송됩니다. 사전 설정 값을 변경하려면 컨트롤러의 사용 설명서를 참조하십시오.

7. 센서를 첫 번째 기준 용액에 담긴 상태로 정상을 누릅니다. 측정 값이 표시됩니다.
8. 값이 안정적으로 표시될 때까지 기다린 다음 정상을 누릅니다.
참고: 화면이 다음 단계로 자동으로 넘어갈 수 있습니다.
9. 이 경우에 해당되면 pH 값을 입력하고 정상을 누릅니다.
참고: 기준 용액이 버퍼일 경우 pH 값은 버퍼 온도가 표시된 버퍼 용기에서 확인하십시오. 기준 용액이 샘플인 경우 다른 기기로 샘플의 pH 값을 확인하십시오.
10. 2 지점 교정의 경우 보조 기준 용액을 다음과 같이 측정합니다.
 - a. 첫 번째 용액에서 센서를 꺼내 깨끗한 물로 헹굽니다.
 - b. 센서를 다음 기준 용액에 넣고 정상을 누릅니다.

c. 값이 안정적으로 표시될 때까지 기다린 다음 정상을 누릅니다.

참고: 화면이 다음 단계로 자동으로 넘어갑니다.

d. 이 경우에 해당되면 pH 값을 입력하고 정상을 누릅니다.

11. 교정 결과를 검토합니다.

- "보정에 성공했습니다." — 센서가 교정되어 샘플을 측정할 수 있습니다. 기울기 및/또는 오프셋 값이 표시됩니다.
- "작동 시간" — 교정 기울기 또는 오프셋 값이 허용 한도를 벗어났습니다. 새 기준 용액으로 교정 작업을 반복합니다. 필요한 경우 센서를 세척합니다.

12. 정상을 누릅니다.

13. 센서를 해당 공정으로 되돌리고 정상을 누릅니다.

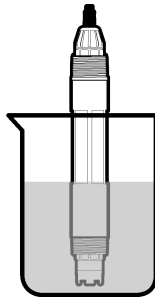
출력 신호가 활성 상태로 돌아가고 측정 샘플 값이 측정 화면에 표시됩니다.

5.3.4 ORP 교정 절차

ORP 센서와 기준 용액으로 교정합니다(1 지점 교정).

1. 센서를 기준 용액에 넣습니다(기준 용액 또는 기존 샘플 값으로). 탐침의 센서 부분이 용액에 완전히 잠겨야 합니다(그림 5).

그림 5 기준 용액에 담긴 센서



2. 기본 메뉴 아이콘을 선택한 다음 **컨트롤러**를 선택합니다. 사용할 수 있는 모든 장치 목록이 표시됩니다.
3. 센서를 선택하고 **알림 > 교정**을 선택합니다.
4. **1-지점 값 교정**(또는 **1-지점 매트릭스 보정**)을 선택합니다.
5. 교정 중의 출력 신호 옵션을 선택합니다.

옵션 설명

활성 교정 절차 중에 현재 측정된 출력 값이 전송됩니다.

대기 센서 출력 값이 교정 절차 중에 현재 측정된 값으로 유지됩니다.

전송 사전 설정한 출력 값이 교정 중에 전송됩니다. 사전 설정 값을 변경하려면 컨트롤러의 사용 설명서를 참조하십시오.

6. 기준 용액이나 샘플에 센서를 담긴 상태로 정상을 누릅니다. 측정 값이 표시됩니다.

7. 값이 안정적으로 표시될 때까지 기다린 다음 정상을 누릅니다.

참고: 화면이 다음 단계로 자동으로 넘어갈 수 있습니다.

8. 교정에 샘플을 사용하는 경우 보조 검증 장비로 ORP 샘플 값을 측정합니다. 측정 값을 입력하고 정상을 누릅니다.

9. 기준 용액을 교정에 사용한 경우 용기에 표시된 ORP 값을 입력합니다. 정상을 누릅니다.

10. 교정 결과를 검토합니다.

- "보정에 성공했습니다." — 센서가 교정되어 샘플을 측정할 수 있습니다. 기울기 및/또는 오프셋 값이 표시됩니다.
- "작동 시간" — 교정 기울기 또는 오프셋 값이 허용 한도를 벗어났습니다. 새 기준 용액으로 교정 작업을 반복합니다. 필요한 경우 센서를 세척합니다.

11. 정상을 누릅니다.

- ## 12. 센서를 해당 공정으로 되돌리고 정상을 누릅니다.
- 출력 신호가 활성 상태로 돌아가고 측정 샘플 값이 측정 화면에 표시됩니다.

5.3.5 온도 교정

정확한 온도 측정을 위해 공장에서 장비를 교정합니다. 정확도를 높이기 위해 온도를 교정할 수 있습니다.

1. 물이 담긴 용기에 센서를 넣습니다.
2. 정확한 온도계 같은 별도의 장비를 사용하여 수용액 온도를 측정합니다.
3. 기본 메뉴 아이콘을 선택한 다음 **컨트롤러**를 선택합니다. 사용할 수 있는 모든 장치 목록이 표시됩니다.
4. 센서를 선택하고 **알림 > 교정**을 선택합니다.
5. pH/ORP 모듈에 연결된 센서의 경우 다음 절차를 따르십시오.
 - a. **DD 펌웨어**를 선택합니다.
 - b. 값이 안정적으로 표시될 때까지 기다린 다음 정상을 누릅니다.
 - c. 추가 값을 입력하고 정상을 누릅니다.
6. sc 디지털 게이트웨이에 연결된 센서의 경우 다음 절차를 따르십시오.
 - a. **온도 조정**을 선택합니다.
 - b. 값이 안정적으로 표시될 때까지 기다린 다음 정상을 누릅니다.
 - c. **온도 편집**을 선택합니다.
 - d. 추가 값을 입력하고 정상을 누릅니다.
7. 센서를 해당 공정으로 되돌리고 홈 아이콘을 누릅니다.

5.3.6 교정 절차 종료

1. 교정을 종료하려면 뒤로 아이콘을 누릅니다.
2. 옵션을 선택한 다음 정상을 누릅니다.

옵션	설명
샘플 pH 입력 (또는 취소)	교정을 중단합니다. 새 교정을 처음부터 시작해야 합니다.
교정으로 돌아가기	교정으로 돌아갑니다.
지침 2 (또는 종료)	교정을 일시적으로 종료합니다. 다른 메뉴에 접근할 수 있습니다. 보조 센서(있는 경우)에 대한 교정을 시작할 수 있습니다.

5.3.7 교정 재설정

교정을 출고 기본 설정값으로 재설정할 수 있습니다. 그러면 모든 센서 정보가 손실됩니다.

1. 기본 메뉴 아이콘을 선택한 다음 **컨트롤러**를 선택합니다. 사용할 수 있는 모든 장치 목록이 표시됩니다.
2. 센서를 선택하고 **알림 > 교정**을 선택합니다.
3. **조정 옵션**(또는 **설정 재설정**)을 선택한 다음 정상을 누릅니다.
4. 정상을 다시 누릅니다.

5.4 임피던스 측정

pH 측정 시스템의 신뢰도를 높이기 위해 컨트롤러에서 유리 전극의 임피던스를 결정합니다. 이 측정은 매 분마다 수행됩니다. 진단 도중 pH 측정 관독이 5초간 보류됩니다. 오류 메시지가 나타나는 경우, [오류 목록 141](#) 페이지의 에서 자세한 내용을 참조하십시오.

센서 임피던스 측정을 활성화 또는 비활성화하려면 다음을 따르십시오.






1. 기본 메뉴 아이콘을 선택한 다음 **컨트롤러**를 선택합니다. 사용할 수 있는 모든 장치 목록이 표시됩니다.
2. 장치를 선택하고 **알림 > 진단/테스트**를 선택합니다.
3. pH/ORP 모듈에 연결된 센서의 경우 **임피던스 상태**를 선택합니다.
4. sc 디지털 게이트웨이에 연결된 센서의 경우 **신호 > 임피던스 상태**를 선택합니다.
5. **활성화됨** 또는 **비활성화됨**를 선택하고 정상을 누릅니다.

활성 및 기준 전극 임피던스 관독값을 보려면 **시간이 만료되었습니다.**(또는 **신호**)를 선택하고 정상을 누릅니다.

5.5 Modbus 레지스터

Modbus 레지스터 목록을 네트워크 통신에 사용할 수 있습니다. 자세한 내용은 제조업체의 웹사이트를 참조하십시오.

섹션 6 유지 보수

▲ 경고	
	여러 가지 위험이 존재합니다. 자격을 부여받은 담당자만 본 문서에 의거하여 작업을 수행해야 합니다.
▲ 경고	
	폭발 위험 환경이 위험하지 않은 것으로 알려진 경우가 아니면 기기를 연결하거나 분리하지 마십시오. 위험 장소 지침은 컨트롤러 Class 1, Division 2 문서를 참조하십시오.
▲ 경고	
	액체 압력 위험. 가압 용기로부터 센서를 제거하는 작업은 위험할 수 있습니다. 제거하기 전에 공정 압력을 7.25psi(50kPa) 보다 낮게 줄이십시오. 압력을 줄이는 것이 불가능하다면 각별한 주의 기울이십시오. 자세한 내용은 장착 하드웨어와 함께 제공된 설명서를 참조하십시오.
▲ 경고	
	화학물질에 노출될 위험이 있습니다. 실험실의 안전절차를 준수하고, 취급하는 화학 물질에 맞는 개인 보호장비를 안전하게 착용하십시오. 최신 물질안전보건자료(MSDS/SDS)에서 안전 규정을 참조하십시오.
▲ 주의	
	화학물질에 노출될 위험이 있습니다. 화학물질 및 폐기물은 국가 및 지역 규정에 따라 폐기하십시오.

6.1 유지관리 일정

표 3 유지관리 작업에 대한 권장 일정이 나와 있습니다. 일부 태스크의 빈도는 시설의 요구 사항 및 작동 조건에 따라 늘어날 수 있습니다.

표 3 유지관리 일정

정비 작업	1년	필요한 경우
센서 세정 137 페이지		X
염다리 교체 137 페이지	X	
센서 교정 131 페이지	규제 기관의 규정 또는 경험에 따라 설정합니다.	

6.2 센서 세정

사전 조건: 라놀린을 함유하지 않은 비연마성 주방 세제로 연한 비눗물을 준비합니다. 라놀린은 전극 표면에 센서 성능을 저하시킬 수 있는 막을 남깁니다.

센서를 정기적으로 검사하여 부스러기와 침전물이 쌓여 있는지 확인합니다. 찌꺼기가 끼었거나 성능이 저하되는 경우 센서를 세정합니다.

- 깨끗하고 부드러운 헝겊을 사용하여 센서 끝에서 불순물 조각을 털어냅니다. 깨끗하고 미지근한 물로 센서를 헹구십시오.
- 비눗물에 센서를 2~3분 동안 담가 놓습니다.
- 부드러운 솔 브러시를 사용하여 센서 끝의 측정 부위를 전체적으로 문지릅니다.
- 불순물이 남아 있으면 센서의 측정 끝부분을 < 5% HCl 등의 희석시킨 산성 용액에 최대 5분간 담급니다.
- 센서를 물로 헹군 다음 다시 비눗물에 2~3분 동안 담급니다.
- 센서를 깨끗한 물로 헹굽니다.

참고: HF 용으로 사용하기 위해 안티본 전극이 사용된 센서에는 추가적인 세정이 필요할 수 있습니다. 기술 지원 부에 문의하십시오.

유지관리 절차 후에 항상 센서를 교정하십시오.

6.3 염다리 교체

염다리 및 표준 셀 용액을 1년 간격이나 센서 청소 후 교정 실패했을 때 교체하십시오.

참고: 염다리를 교체하는 방법을 보여주는 동영상은 www.Hach.com에서 시청할 수 있습니다. 염다리 웹 페이지로 이동하여 비디오 탭을 클릭합니다.

Items to collect(준비 항목):

- 조정 가능한 크레센트 렌치
- 대형 핀셋
- Salt Bridge
- 표준 셀 용액
- 젤 파우더³, 스틱스폰

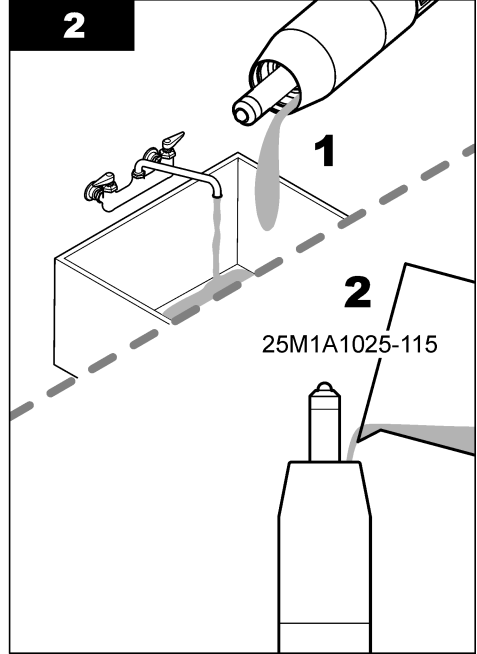
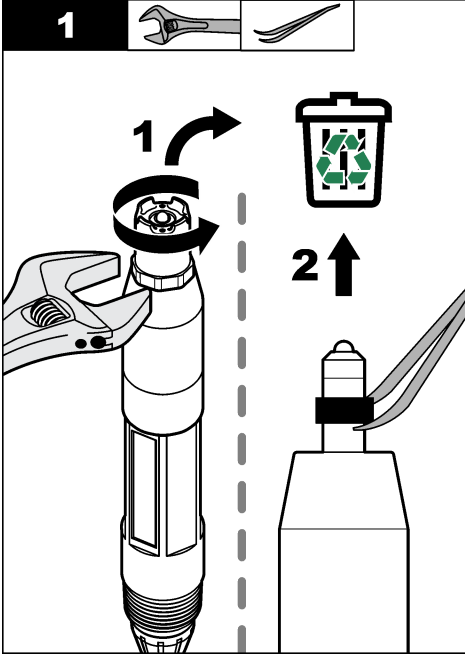
1. 센서를 세척합니다. [센서 세정 137 페이지](#)(를) 참조하십시오.
2. 염다리 및 표준 셀 용액을 교체하십시오. 아래의 단계별 그림 설명을 참조하십시오.
표준 셀 용액에 젤이 들어 있는 경우(비정상), 2단계에 나타난 그림과 같이 분수식 세척기 장치의 물을 사용하여 오래된 젤을 제거합니다.

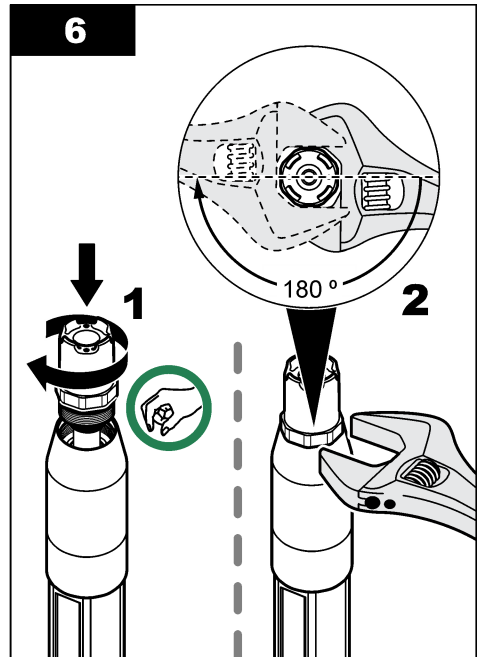
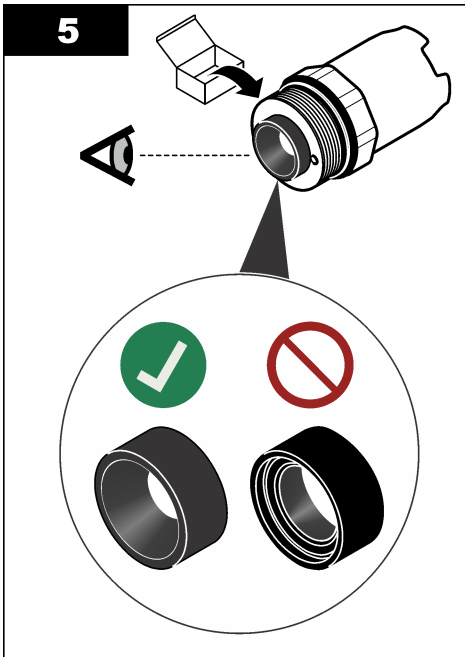
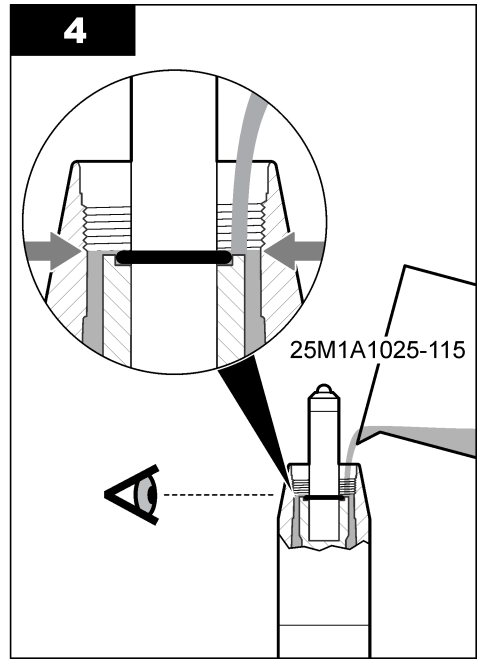
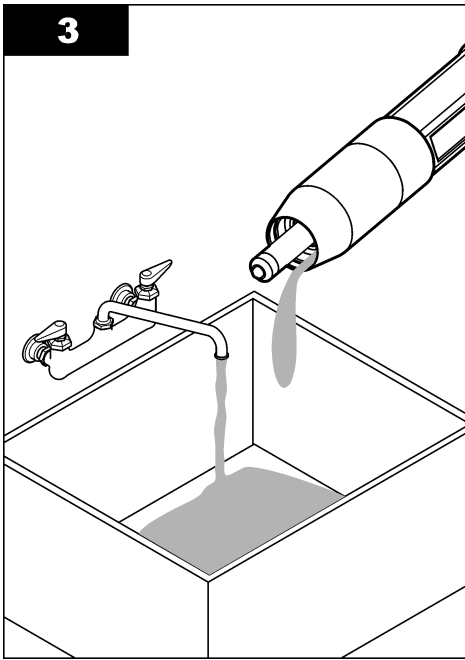
³ (선택 사항) 공정 용수가 끓는 온도에 가까울 경우 표준 셀 솔루션에 젤 파우더를 추가합니다. 젤 파우더는 표준 셀 솔루션의 증발 속도를 감소시킵니다.

(선택 사항) 공정 용수가 끓는 온도 근처에 있을 경우 다음과 같이 새로운 표준 셀 용액에 젤 파우더를 추가합니다.

- a. 표준 셀 용액을 위한 저장 탱크에 1단계 병 캡(½티스푼) 분량의 젤 파우더를 붓습니다.
- b. 소량의 새 표준 셀 용액을 저장 탱크에 붓습니다.
- c. 용액이 걸쭉해질 때까지 파우더로 혼합합니다.
- d. 소량의 용액을 넣고 젤 수준이 엄다리 나사산에 올 때까지 섞어줍니다.
- e. 새 엄다리를 설치 및 제거하여 젤 레벨이 적합한지 점검합니다. 엄다리의 흔적이 젤 표면에서 남아야 합니다.

3. 센서를 교정합니다.





6.4 보관 준비

단기 보관(센서가 1시간 이상 프로세스에서 제외되는 경우)의 경우 보호용 캡에 pH 4 버퍼나 증류수를 채우고 센서에 캡을 다시 씌우십시오. 프로세스 전극과 기준 접합부염다리를 촉촉하게 유지하여 센서가 다시 작동할 때 응답이 느려지지 않도록 하십시오.

장기 보관의 경우 환경 조건에 따라 2~4주 간격으로 단기 보관 절차를 반복하십시오. 온도 보관 한도는 [사양 124](#) 페이지를 참조하십시오.

섹션 7 문제 해결

7.1 간헐적 데이터

교정하는 동안 데이터가 데이터로그로 전송되지 않습니다. 따라서 데이터가 불연속적인 영역이 데이터로그에 있을 수 있습니다.

7.2 pH 센서 테스트

사전 조건: 두 개의 pH 버퍼와 멀티미터.

교정이 되지 않으면 먼저 [유지 보수 136](#) 페이지의 유지관리 절차를 수행합니다.

1. pH 7 버퍼 용액 속에 센서를 담그고 센서와 버퍼의 온도가 실온에 도달할 때까지 기다립니다.
2. 모듈 또는 디지털 게이트웨이에서 빨간색, 녹색, 노란색, 검정색 센서 와이어를 분리합니다.
3. 노란색 배선과 검은색 배선 간의 저항을 측정하여 온도 요소의 작동을 확인합니다. 저항은 약 25°C에서 250~350 ohms이어야 합니다.
온도 요소가 양호하면 노란색과 검정색 와이어를 모듈에 다시 연결합니다.
4. 멀티미터(+) 리드를 빨간색 와이어에 연결하고 (-) 리드를 녹색 와이어에 연결하여 DC의 mV를 측정합니다. 판독값은 -50~+50mV 범위여야 합니다.
판독값이 이 한계를 벗어나면 센서를 세정하고 염다리와 표준 셀 용액을 교환하십시오.
5. 멀티미터를 계속 같은 식으로 연결한 상태에서 센서를 물로 헹구고 pH 4 또는 pH 10 버퍼 용액에 넣습니다. 센서와 버퍼의 온도가 실온에 도달할 때까지 기다립니다.
6. pH 4 또는 pH 10 버퍼의 mV 판독값을 pH 7 버퍼의 mV 판독값과 비교합니다. 판독값의 차이는 약 160 mV여야 합니다.
차이가 160 mV 미만이면 기술 지원부에 문의하십시오.

7.3 ORP 센서 테스트

사전 조건: 200 mV ORP 기준 용액, 멀티미터.

교정이 되지 않으면 먼저 [유지 보수 136](#) 페이지의 유지관리 절차를 수행합니다.

1. 센서를 200 mV 기준 용액에 넣고 센서와 용액의 온도가 실온에 도달할 때까지 기다립니다.
2. 모듈 또는 디지털 게이트웨이에서 빨간색, 녹색, 노란색, 검정색 센서 와이어를 분리합니다.
3. 노란색과 검정색 와이어 사이의 저항을 측정하여 온도 요소의 작동을 확인합니다. 저항은 약 25°C에서 250 ~ 350 ohm 범위여야 합니다.
온도 요소가 양호하면 노란색과 검정색 와이어를 모듈에 다시 연결합니다.
4. 멀티미터(+) 리드를 빨간색 와이어에 연결하고 (-) 리드를 녹색 와이어에 연결하여 DC의 mV를 측정합니다. 판독값은 160 ~ 240 mV 범위여야 합니다.
판독값이 이 한계를 벗어나면 기술 지원 부서로 연락하십시오.

7.4 진단/테스트 메뉴

진단/테스트 메뉴에는 센서의 현재 및 기록 정보가 표시됩니다. 표 4을(를) 참조하십시오. 기본 메뉴 아이콘을 누른 다음 **컨트롤러**를 선택합니다. 장치를 선택하고 **알림 > 진단/테스트**를 선택합니다.

표 4 진단/테스트 메뉴

옵션	설명
30분	pH/ORP 모듈에 연결된 센서만 해당되는 경우 — 센서 모듈의 버전과 시리얼 번호가 표시됩니다.
센서 정보	pH/ORP 모듈에 연결된 센서의 경우 — 사용자가 입력한 센서 이름 및 시리얼 번호가 표시됩니다. sc 디지털 게이트웨이에 연결된 센서의 경우 — 센서 모델 번호와 사용자가 입력한 센서 이름, 센서 시리얼 번호가 표시됩니다. 설치된 소프트웨어 버전 및 드라이버 버전이 표시됩니다.
마지막 교정	pH/ORP 모듈에 연결된 센서만 해당되는 경우 — 마지막 교정이 완료된 이후의 일수가 표시됩니다.
교정 내역	pH/ORP 모듈에 연결된 센서의 경우 — 교정 기율기와 이전 교정의 날짜가 표시됩니다. sc 디지털 게이트웨이에 연결된 센서의 경우 — 교정 기율기와 마지막 교정 날짜가 표시됩니다.
센서가 연결되었음	pH/ORP 모듈에 연결된 센서만 해당되는 경우 — 서비스 용도만 해당
임피던스 상태	pH 센서만 해당하는 경우 임피던스 측정 136 페이지을(를) 참조하십시오.
시간이 만료되었습니다. (또는 신호)	pH/ORP 모듈에만 연결된 pH 센서의 경우 — 현재 판독값을 mV로 표시합니다. sc 디지털 게이트웨이에 연결된 pH 센서의 경우 — 현재 판독값을 mV로 표시하고 아날로그-디지털 변환기 카운터를 표시합니다. 임피던스 상태가 활성화되면 설정되면 활성 및 기준 전극 임피던스가 표시됩니다.
센서 일 (또는 카운터)	pH/ORP 모듈에 연결된 센서의 경우 — 센서가 작동된 일수가 표시됩니다. sc 디지털 게이트웨이에 연결된 센서의 경우 — 센서 및 전극이 작동된 일수가 표시됩니다. 전극 일 카운터는 펌웨어에서 결합 전극이 올바르게 작동하는 전극으로 교체되었음을 확인하면 0으로 재설정됩니다. 센서 일 카운터를 0으로 재설정하려면 재설정 을 선택합니다. 센서 일 카운터는 센서(또는 염 다리)가 교체되면 재설정됩니다.

7.5 오류 목록

오류가 발생하면 측정 화면의 판독값이 깜박이며 컨트롤러 > 경고 메뉴에서 지정한 경우 모든 출력이 보류됩니다. 화면이 빨간색으로 변경됩니다. 진단 모음에 오류가 표시됩니다. 진단 모음을 누르면 오류와 경고 메시지가 표시됩니다. 또는 기본 메뉴 아이콘 누른 다음 **정보 > 일반**을 선택합니다.

A list of possible errors is shown in 표 5.

표 5 오류 목록

에러	설명	분해능
ORP 값이 너무 큼니다!	측정 pH 값이 14보다 큼니다.	센서를 교정하거나 교체하십시오.
기준 전극 임피던스가 너무 높습니다!	측정 ORP 값이 2,100mV보다 큼니다.	
ORP 값이 너무 작습니다!	측정 pH 값이 0 미만입니다.	센서를 교정하거나 교체하십시오.
기준 전극 임피던스가 너무 낮습니다!	측정된 ORP 값이 -2,100mV 미만입니다.	

표 5 오류 목록 (계속)

에러	설명	분해능
오프셋 값이 너무 높습니다.	오프셋 값이 9(pH) 또는 200mV(ORP)보다 큼니다.	센서의 유지관리 절차를 수행하고 교정을 반복하거나 센서를 교체하십시오.
오프셋 값이 너무 낮습니다.	오프셋 값이 5(pH) 또는 -200mV(ORP) 미만입니다.	
기울기가 너무 높습니다.	기울기가 62(pH)/1.3(ORP)보다 큼니다.	새 버퍼나 시료로 교정을 반복하거나 센서를 교체하십시오.
기울기가 너무 낮습니다.	기울기가 50(pH)/0.7(ORP) 미만입니다.	센서를 세정한 다음 교정을 반복하거나 센서를 교체하십시오.
pH 값이 너무 작습니다!	측정 온도가 130°C보다 큼니다.	올바른 온도 요소를 선택했는지 확인하십시오.
활성 전극 임피던스가 너무 낮습니다!	측정 온도가 -10°C 미만입니다.	
표준	2 지점 자동 보정의 버퍼에 동일한 값이 존재합니다.	Complete the steps in pH 센서 테스트 140 페이지.
센서가 없습니다.	센서가 없거나 분리되었습니다.	센서 및 모듈 또는 디지털 게이트웨이의 배선과 연결 상태를 검사하십시오.
pH 값이 너무 큼니다!	온도 센서가 없습니다.	온도 센서의 배선을 검사하십시오. 올바른 온도 요소를 선택했는지 확인하십시오.
유리 임피던스가 너무 낮습니다.	유리 전구가 망가졌거나 수명이 다했습니다.	센서를 교체하십시오. 기술 지원부에 문의하십시오.

7.6 경고 목록

경고는 메뉴, 릴레이 및 출력 작동에 영향을 주지 않습니다. 화면이 황색으로 변경됩니다. 진단 모음에 경고가 표시됩니다. 진단 모음을 누르면 오류와 경고 메시지가 표시됩니다. 또는 기본 메뉴 아이콘 누른 다음 **정보 > 압호**를 선택합니다.

A list of possible warnings is shown in 표 6.

표 6 경고 목록

경고	설명	분해능
pH가 너무 높습니다.	측정 pH가 13보다 큼니다.	센서를 교정하거나 교체하십시오.
기준 전극 임피던스가 너무 높습니다.	측정된 ORP 값이 2100mV보다 큼니다.	
pH가 너무 낮습니다.	측정 pH가 1 미만입니다.	센서를 교정하거나 교체하십시오.
기준 전극 임피던스가 너무 낮습니다.	측정된 ORP 값이 -2,100mV 미만입니다.	
오프셋 값이 너무 높습니다.	오프셋 값이 8(pH) 또는 200mV(ORP)보다 큼니다.	센서의 유지관리 절차를 수행한 다음 교정을 반복하십시오.
오프셋 값이 너무 낮습니다.	오프셋이 6(pH) 미만이거나 200mV(ORP)와 같습니다.	
기울기가 너무 높습니다.	기울기가 60(pH)/1.3(ORP)보다 큼니다.	새 버퍼나 시료로 교정을 반복하십시오.
기울기가 너무 낮습니다.	기울기가 54(pH)/0.7(ORP) 미만입니다.	센서를 세정한 다음 교정을 반복하십시오.

표 6 경고 목록 (계속)

경고	설명	분해능
온도가 너무 높습니다.	측정 온도가 100°C보다 큼니다.	올바른 온도 요소를 사용하고 있는지 확인하십시오.
온도가 너무 낮습니다.	측정된 온도가 0 °C 미만입니다.	
온도가 범위를 벗어났습니다.	측정 온도가 100°C보다 크거나 0°C 미만입니다.	
온도가 너무 낮습니다!	교정 알람 기한이 만료되었습니다.	센서를 조정합니다.
카드 일련 번호	센서가 교정되지 않았습니다.	센서를 조정합니다.
센서를 교체하십시오.	센서 일 카운터가 센서 교체용으로 선택된 주기보다 큼니다. 참조: 센서 구성 129 페이지.	센서 또는 얀 다리를 교체하십시오. 센서 일 카운터를 진단/테스트 > 재설정 메뉴 (또는 진단/테스트 > 카운터 메뉴)에서 재설정합니다.
사용자 농도 표가 잘못되었습니다.	교정이 시작되었지만 완료되지 않았습니다.	교정으로 돌아가십시오.
1분	온도 센서가 교정되지 않았습니다.	온도를 교정하십시오.

สารบัญ

- 1 ข้อมูลเพิ่มเติม ในหน้า 144
- 2 รายละเอียดทางเทคนิค ในหน้า 144
- 3 ข้อมูลทั่วไป ในหน้า 145
- 4 การติดตั้ง ในหน้า 147
- 5 การทำงาน ในหน้า 149
- 6 การบำรุงรักษา ในหน้า 156
- 7 การแก้ไขปัญหา ในหน้า 160

หัวข้อที่ 1 ข้อมูลเพิ่มเติม

คู่มือผู้ใช้แบบละเอียดควมให้ควานัโหลคที่เว็บไซค์ของผู้ผลิต

หัวข้อที่ 2 รายละเอียดทางเทคนิค

รายละเอียดทางเทคนิคอาจเปลี่ยนแปลงได้โดยไม่ต้องแจ้งให้ทราบล่วงหน้า

ผลิตภัณฑ์นี้เฉพาะการอนุมัติตามรายการและการลงทะเบียน ในรับรอง และประกาศที่ใหม่กับผลิตภัณฑ์อย่างเป็นทางการ การใช้ผลิตภัณฑ์นี้ในแอปพลิเคชันที่ไม่อนุญาตคือไม่ได้รับการอนุมัติจากผู้ผลิต

รายละเอียดทางเทคนิค	รายละเอียด
ขนาด (ความยาว/เส้นผ่านศูนย์กลาง)	pHD: 271 มม. (10.7 นิ้ว)/35 มม. (1.4 นิ้ว) 1-นิ้ว NPT; LCP (ลิกวิตคริสตัลโพลีเมอร์): 187 มม. (7.35 นิ้ว)/51 มม. (2 นิ้ว); 1-½ นิ้ว NPT
น้ำหนัก	316 ก. (11 ออนซ์)
ระดับของมลภาวะ	2
หมวดหมู่ของการเกิดแรงดันไฟฟ้าเกิน	I
ระดับการป้องกัน	III
ระดับความสูง	สูงสุด 2,000 ม. (6,562 ฟุต)
อุณหภูมิในการทำงาน	5 ถึง 105 °C (23 ถึง 221 °F)
อุณหภูมิสำหรับจัดเก็บ	4 ถึง 70 °C (40 ถึง 158 °F) ความชื้นสัมพัทธ์ 0 ถึง 95% ไม่มีการกลั่นตัวเป็นหยดน้ำ
วัสดุเปลือก	วัสดุ PEEK หรือ PPS Polyphenylensulfid (PVDF), อีเล็กโทรดกระบวนการแก้ว, อีเล็กโทรดกราฟิติไททานเนียม และซิลิโคน FKM/FPM บันทึก: เซ็นเซอร์ pH พร้อมกับขั้วอิเล็กโทรดที่ทนทานต่อ HF ซึ่งเป็นอุปกรณ์เสริม มีอีเล็กโทรดดินสทนเลสสตีล 316 และโอริงพอร์ฟลูออโรอีลาสโตเมอร์แบบเปลือก
ช่วงการตรวจวัด	เซ็นเซอร์ pH: -2 to 14 pH ¹ (หรือ 2.00 ถึง 14.00) เซ็นเซอร์ ORP: -1500 ถึง +1500 mV
สายเคเบิลเซ็นเซอร์	pHD: 5 ตัวนำ (ฉนวนป้องกัน 2 ชุด), 6 ม. (20 ฟุต); LCP: 5 ตัวนำ (1 ฉนวนป้องกัน), 3 ม. (10 ฟุต)
ส่วนประกอบ	วัสดุที่ทนทานการกัดกร่อน สามารถจุ่มลงในน้ำได้
ความละเอียดในการแสดงผลของภาพ	เซ็นเซอร์ pH: ±0.01 pH เซ็นเซอร์ ORP: ±0.5 mV
อัตราการไหลสูงสุด	สูงสุด 3 m/s (10 ft/s)
จำกัดแรงดัน	6.9 บาร์ที่ 105 °C (100 psi ที่ 221 °F)

¹ การทำงานเกี่ยวกับ pH ส่วนใหญ่อยู่ในช่วง pH 2.5 ถึง 12.5 เซ็นเซอร์ pH ลิฟโพเรนเซียล pHD ที่มีขั้วอิเล็กโทรดหลายรูปแบบจึงทำงานในช่วงนี้ได้ดีมาก การใช้งานในอุตสาหกรรมบางประเภทจำเป็นต้องทำการวัดและการควบคุมอย่างแม่นยำที่ pH ต่ำกว่า 2 หรือมากกว่า 12 ในกรณีพิเศษเหล่านี้ โปรดติดต่อผู้ผลิตเพื่อขอรายละเอียดเพิ่มเติม

รายละเอียดทางเทคนิค	รายละเอียด
ระยะการส่งผ่าน	สูงสุด 100 ม. (328 ฟุต) 1000 ม. (3280 ฟุต) สูงสุดด้วยกล่องต่อ
องค์ประกอบเกี่ยวกับอุณหภูมิ	เทอร์มิสเตอร์ NTC 300 Ω สำหรับการชดเชยอุณหภูมิโดยอัตโนมัติและการอ่านอุณหภูมิของเครื่องวิเคราะห์
การชดเชยอุณหภูมิ	อัลโนมิติตั้งแต่ -10 ถึง 105 °C (14.0 ถึง 221 °F) กับเทอร์มิสเตอร์ NTC 300 Ω, เซลล์วัดอุณหภูมิ Pt 1000 Ω RTD หรือ Pt 100 Ω RTD หรือกำหนดให้ทั้งที่ด้วยตนเองที่อุณหภูมิที่ผู้ใช้ป้อน
วิธีการสอบเทียบ	อัลโนมิติหรือเมมวอล 1 หรือ 2 จุด
อินเทอร์เฟซเซ็นเซอร์	Modbus RTU จากเกตเวย์ดิจิทัล SC หรือโมดูล pH/ORP
การรับรอง	กำหนดโดย ETL (US/Canada) สำหรับการใช้งานในตำแหน่งที่อันตราย Class 1, Division 2, Groups A, B, C, D, Temperature Code T4 - กับตัวควบคุม Hach SC สอดคล้องตาม: CE, UKCA, FCC, ISED, ACMA, KC, CMIM, NM

หัวข้อที่ 3 ข้อมูลทั่วไป

ไม่ว่าจะในกรณีใด ผู้ผลิตจะไม่รับผิดชอบต่อความเสียหายที่เกิดจากการใช้งานผลิตภัณฑ์ที่ไม่เหมาะสมใดๆ หรือความล้มเหลวในการปฏิบัติตามคำแนะนำในคู่มือ ผู้ผลิตสงวนสิทธิ์ในการแก้ไขคู่มือและเปลี่ยนแปลงผลิตภัณฑ์ที่อธิบายได้ตลอดเวลา โดยไม่ต้องแจ้งให้ทราบหรือขออนุญาตใดๆ ข้อมูลฉบับแก้ไขจะมีให้ในเว็บไซต์ของผู้ผลิต

3.1 ข้อมูลเพื่อความปลอดภัย

ผู้ผลิตจะไม่รับผิดชอบต่อความเสียหายใดๆ ที่เกิดจากการนำผลิตภัณฑ์ไปใช้หรือการใช้งานที่ผิดวัตถุประสงค์ รวมถึง แต่ไม่จำกัดเพียงความเสียหายทางตรง ความเสียหายที่ไม่ได้ตั้งใจ และความเสียหายที่ต่อเนื่องตามมา และขอปฏิเสธในการรับผิดชอบต่อความเสียหายเหล่านี้ในระดับสูงสุดเท่าที่กฎหมายที่เกี่ยวข้องจะอนุญาต ผู้ใช้เป็นผู้รับผิดชอบแต่เพียงผู้เดียวในการระบุถึงความเสียหายในการนำไปใช้งานที่สำคัญ และการติดตั้งกลไกที่เหมาะสมเพื่อป้องกันกระบวนการต่างๆ ที่เป็นไปได้ในกรณีอุปกรณ์ทำงานผิดพลาด

กรุณาอ่านคู่มือฉบับนี้โดยละเอียดก่อนเปิดกล่อง ติดตั้งหรือใช้งานอุปกรณ์นี้ ศึกษาอันตรายและข้อควรระวังต่าง ๆ ที่แจ้งให้ทราบให้ครบถ้วน หากไม่ปฏิบัติตามอาจทำให้เกิดการบาดเจ็บร้ายแรงต่อผู้ใช้หรือเกิดความเสียหายต่ออุปกรณ์

ตรวจสอบว่าชิ้นส่วนป้องกันของอุปกรณ์นี้มีความเสียหาย ห้ามใช้หรือติดตั้งอุปกรณ์ในลักษณะอื่นใดนอกจากที่ระบุไว้ในคู่มือนี้

3.1.1 การใช้ข้อมูลแจ้งเตือนเกี่ยวกับอันตราย

▲ อันตราย
ระบุอันตรายที่อาจเกิดขึ้น ซึ่งหากไม่หลีกเลี่ยง อาจทำให้เสียชีวิตหรือได้รับบาดเจ็บร้ายแรงได้
▲ คำเตือน
ระบุอันตรายที่อาจเกิดขึ้น ซึ่งหากไม่หลีกเลี่ยง อาจทำให้เสียชีวิตหรือได้รับบาดเจ็บร้ายแรงได้
▲ ข้อควรระวัง
ระบุอันตรายที่อาจเกิดขึ้นซึ่งอาจทำให้เกิดการบาดเจ็บเล็กน้อยถึงปานกลาง
หมายเหตุ
ข้อควรทราบระบุกรณีที่หากไม่หลีกเลี่ยง อาจทำให้อุปกรณ์ได้รับความเสียหายได้ ข้อมูลที่ต้องการเน้นย้ำเป็นพิเศษ

3.1.2 ฉลากระบุข้อควรระวัง

อ่านฉลากและป้ายระบุทั้งหมดที่มีมาให้พร้อมกัอุปกรณ์ อาจเกิดการบาดเจ็บหรือความเสียหายต่ออุปกรณ์ หากไม่ปฏิบัติตาม คู่มืออ้างอิงสัญลักษณ์ที่ตัวอุปกรณ์พร้อมข้อความเพื่อเฝ้าระวังเบื้องต้น

	<p>หากปรากฏสัญลักษณ์นี้บนอุปกรณ์ โปรดดูรายละเอียดจากคู่มือการใช้งานและ/หรือข้อมูลเพื่อความปลอดภัย</p>
	<p>อุปกรณ์อิเล็กทรอนิกส์ที่มีเครื่องหมายนี้ไม่สามารถทิ้งแบบขยะปกติในเขตยุโรปหรือระบบกำจัดขยะสาธารณะได้ ส่งคืนอุปกรณ์เก่าหรือที่หมดอายุการใช้งานให้กับผู้ผลิตเพื่อการกำจัดไม่มีค่าใช้จ่ายใดๆ กับผู้ใช้</p>

3.2 ภาพรวมผลิตภัณฑ์

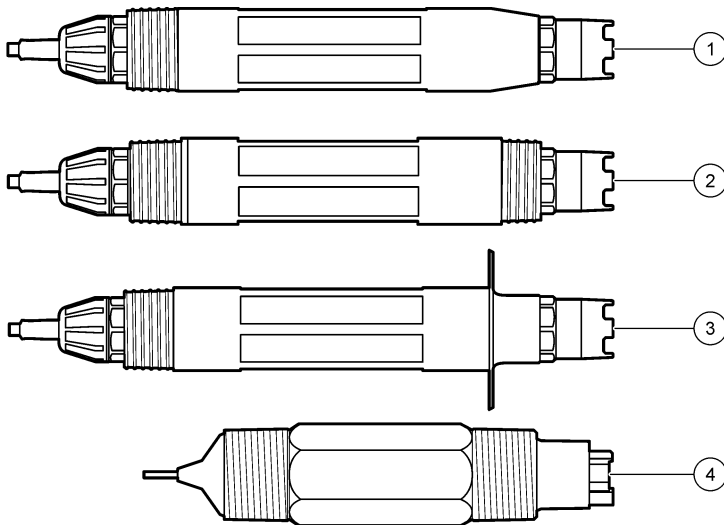
เซ็นเซอร์ออกแบบมาให้สามารถใช้งานร่วมกับชุดควบคุมเพื่อเก็บข้อมูลและเพื่อการประมวลผล สามารถใช้ตัวควบคุมอื่นกับเซ็นเซอร์นี้ เอกสารนี้จัดทำขึ้นโดยถือว่ามีกรคิดตั้งและใช้งานเซ็นเซอร์ร่วมกับตัวควบคุม SC4500 ใช้งานเซ็นเซอร์กับชุดควบคุมอื่น โดยดูรายละเอียดจากคู่มือผู้ใช้สำหรับชุดควบคุมที่ใช้งาน

อุปกรณ์เสริม เช่น อุปกรณ์ติดตั้งสำหรับเซ็นเซอร์มาพร้อมกับคู่มือติดตั้ง มีตัวเลือกการติดตั้งหลายตัวให้เลือกใช้ คุณจึงสามารถปรับเซ็นเซอร์ให้เหมาะสมกับการใช้งานได้หลายรูปแบบ

3.3 รูปแบบของเซ็นเซอร์

เซ็นเซอร์มีจำหน่ายหลายรูปแบบ โปรดดูรายละเอียดใน [รูปที่ 1](#)


รูปที่ 1 รูปแบบของเซ็นเซอร์




<p>1 แบบสอด-สามารถถอดออกได้โดยไม่ต้องหยุดกระบวนการ</p>	<p>3 แบบได้มาตรฐานสูงอนามัย-สำหรับติดตั้งกับท่อตัวที่สแตนเลส 2 นิ้ว</p>
<p>2 แบบปรับได้-สำหรับท่อตัวที่หรือสำหรับจุ่มในภาชนะแบบเปิด</p>	<p>4 แบบปรับได้-แบบ LCP</p>

หัวข้อที่ 4 การติดตั้ง

4.1 การยึด

⚠ คำเตือน	
	อันตรายจากการระเบิด สำหรับการติดตั้งในที่ซึ่งที่เป็นอันตราย (เฉพา) โปรดอ้างอิงคำแนะนำและสภาพการควบคุม Class 1, เอกสาร Division 2 ติดตั้งเซ็นเซอร์ตามกฎหมายของท้องถิ่น ภูมิภาค และของประเทศ ห้ามเชื่อมต่อหรือถอดอุปกรณ์เว้นแต่จะทราบว่าสภาพแวดล้อมไม่เป็นอันตราย

⚠ คำเตือน	
	อันตรายจากการระเบิด แน่ใจว่าฮาร์ดแวร์ติดตั้งสำหรับเซ็นเซอร์มีค่าอุณหภูมิและความดันที่รองรับได้เพียงพอสำหรับตำแหน่งที่ติดตั้ง

⚠ ข้อควรระวัง	
	อันตรายต่อการบาดเจ็บของบุคคล เศษแก้วแตกอาจทำให้เกิดบาดแผล ใช้เครื่องมือและอุปกรณ์ป้องกันต่างๆ ในการกำจัดเศษแก้ว

หมายเหตุ
อิเล็กโทรดกระบวนการที่ปลายเซ็นเซอร์ pH มีหลอดไฟ ซึ่งสามารถแตกได้ อย่างทุบหรือกดหลอดไฟ

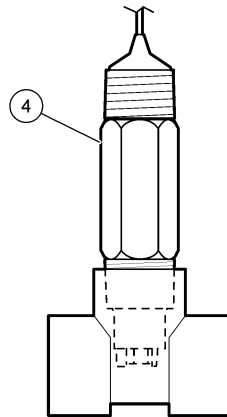
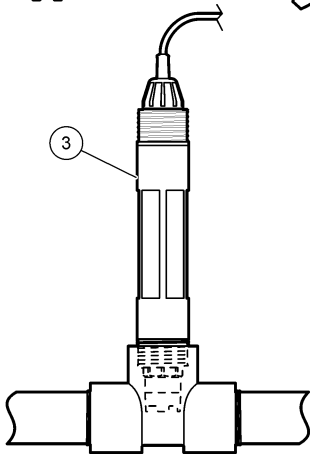
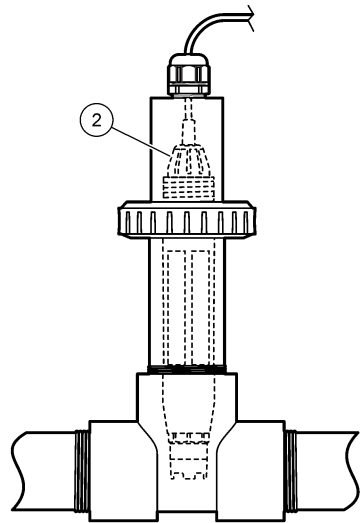
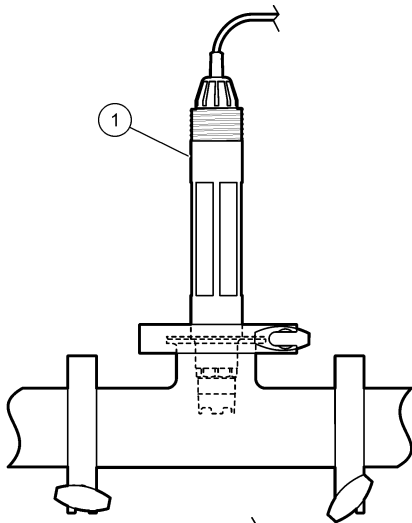
หมายเหตุ
อิเล็กโทรดกระบวนการทองหรือแพลทินัมที่ปลายเซ็นเซอร์ ORP มีก้านแก้ว (สะพานเกลือคบบังอยู่) ซึ่งสามารถแตกได้ อย่างทุบหรือกดก้านแก้ว

- ติดตั้งเซ็นเซอร์ในจุดที่ตัวอย่างซึ่งเป็นตัวแทนของกระบวนการทั้งหมดสัมผัสกับเซ็นเซอร์
- Refer to the expanded user manual on the manufacturer's website for the available mounting hardware.
- โปรดอ่านวิธีติดตั้งที่มากับฮาร์ดแวร์ติดตั้ง
- ติดตั้งเซ็นเซอร์อย่างน้อย 15° เหนือแนวนอน
- สำหรับการติดตั้งแบบจุ่ม ให้วางเซ็นเซอร์อย่างน้อย 508 มม. (20 นิ้ว) ห่างจากผนังอ่างเดิมอากาศ แล้วจุ่มเซ็นเซอร์อย่างน้อย 508 มม. (20 นิ้ว) ลงในกระบวนการ
- ถอดฝาป้องกันออกก่อนใส่เซ็นเซอร์ลงในน้ำเพื่อใช้งาน เก็บฝาครอบป้องกันไว้ใช้งานในอนาคต
- (ไม่บังคับ) ถ้าน้ำใช้ในกระบวนการเข้าสู่ถังอุณหภูมิน้ำเดือด ให้ใส่ผงเจล² ลงในสารละลายเซลล์มาตรฐานในเซ็นเซอร์ Refer to step 2 of เปลี่ยนสะพานเกลือ ในหน้า 157. อย่าเปลี่ยนสะพานเกลือ
- สวมเทียบเซ็นเซอร์ก่อนใช้งาน

For examples of sensors in different applications, refer to รูปที่ 2 and รูปที่ 3.

² ผงเจลจะลดอัตราการระเหยของสารละลายเซลล์มาตรฐาน

รูปที่ 2 ตัวอย่างการยึด (1)



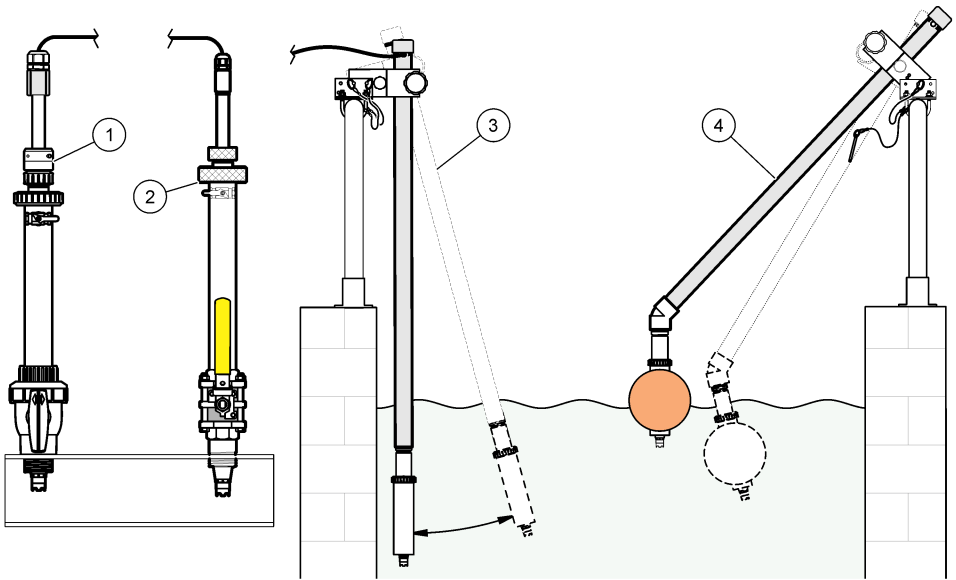
1 ตัวยึดสแตนเลส

3 ยึดแบบไหลผ่าน

2 ตัวยึดยูนิยอน

4 ยึดแบบไหลผ่าน-เซ็นเซอร์ LCP

รูปที่ 3 ตัวอย่างการยึด (2)



1	ชนิดแบบสอดใส่สำหรับ PVS	3	ตัวยึดแบบจุ่ม
2	ตัวยึดสำหรับสอดใส่	4	ตัวยึดแบบจุ่ม ลูกกลิ้ง

4.2 เชื่อมต่อเซ็นเซอร์เข้ากับตัวควบคุม SC

ใช้หนึ่งในตัวเลือกต่อไปนี้เพื่อเชื่อมต่อเซ็นเซอร์เข้ากับตัวควบคุม SC:

- เชื่อมต่อเซ็นเซอร์เข้ากับเกตเวย์ดิจิทัล SC แล้วเชื่อมต่อเกตเวย์ดิจิทัล SC เข้ากับตัวควบคุม SC เกตเวย์ดิจิทัลจะแปลงสัญญาณอะนาล็อกจากเซ็นเซอร์ให้เป็นสัญญาณดิจิทัล
- ติดตั้งโมดูลเซ็นเซอร์ในตัวควบคุม SC จากนั้น เชื่อมต่อเซ็นเซอร์เข้ากับโมดูลเซ็นเซอร์ โมดูลเซ็นเซอร์จะแปลงสัญญาณอะนาล็อกจากเซ็นเซอร์ให้เป็นสัญญาณดิจิทัล

อ้างอิงคำแนะนำที่มาพร้อมกับโมดูลเซ็นเซอร์ หรือเกตเวย์ดิจิทัล SC

หัวข้อที่ 5 การทำงาน

5.1 การนำทางเนื้อหาสำหรับผู้ใช้งาน

ดูเอกสารกำกับชุดควบคุมเพื่อดูคำอธิบายเกี่ยวกับหน้าจอสัมผัสและข้อมูลการนำทางเนื้อหาต่าง ๆ

5.2 กำหนดค่าเซ็นเซอร์

ใช้เมนู Settings (การตั้งค่า) เพื่อป้อนค่าสำหรับเซ็นเซอร์และเพื่อเปลี่ยนแปลงตัวเลือกสำหรับจัดการและจัดเก็บข้อมูล

1. เลือกไอคอนเมนูหลัก แล้วเลือก **Devices (อุปกรณ์)** จะแสดงรายการของอุปกรณ์ทั้งหมดที่พร้อมใช้
2. เลือกเซ็นเซอร์ แล้วเลือก **Device menu (เมนูอุปกรณ์) > Settings (การตั้งค่า)**
3. เลือกตัวเลือก

- สำหรับเซ็นเซอร์ที่เชื่อมต่อกับโมดูล pH/ORP โปรดอ้างอิง [ตาราง 1](#)
- สำหรับเซ็นเซอร์ที่เชื่อมต่อกับเกตเวย์ดิจิทัล SC โปรดอ้างอิง [ตาราง 2](#).

ตาราง 1 เซ็นเซอร์ที่เชื่อมต่อกับโมดูล pH/ORP

ตัวเลือก	คำอธิบาย
Name (ชื่อ)	เปลี่ยนชื่อที่ตรงกับเซ็นเซอร์ที่ด้านบนของหน้าจอตาวจัด ชื่อจำกัดความยาวไว้ที่ 16 ตัวอักษร โดยสามารถใช้ตัวอักษร ตัวเลข ช่องว่างหรือเครื่องหมายวรรคตอน
Sensor S/N (สัญญาณเซ็นเซอร์)	ให้ผู้ใช้ป้อนซีเรียลนัมเบอร์ของเซ็นเซอร์ ซีเรียลนัมเบอร์จำกัดความยาวไว้ที่ 16 ตัวอักษร โดยสามารถใช้ตัวอักษร ตัวเลข ช่องว่างและเครื่องหมายวรรคตอน
Format (รูปแบบ)	เฉพาะสำหรับเซ็นเซอร์ pH—เปลี่ยนจำนวนทศนิยมที่แสดงในหน้าจอตาวจัดเป็น XX.XX (ค่าเริ่มต้น) หรือ XX.X
Temperature (อุณหภูมิ)	กำหนดหน่วยอุณหภูมิเป็น °C (ค่าเริ่มต้น) หรือ °F
Temperature element (องค์ประกอบเกี่ยวกับอุณหภูมิ)	เซ็นเซอร์ pH —กำหนดค่าเซลล์วัดอุณหภูมิสำหรับเซลล์อุณหภูมิอัตโนมัติเป็น PT100, PT1000 หรือ NTC300 (ค่าเริ่มต้น) หากไม่ได้ใช้เซลล์วัดอุณหภูมิ สามารถกำหนดค่าเป็น Manual (แมนนวล) และกรอกค่าสำหรับเซลล์อุณหภูมิ (ค่าเริ่มต้น: 25 °C) เซ็นเซอร์ ORP —ไม่ใช้ค่าเซลล์อุณหภูมิ สามารถต่อเซลล์วัดอุณหภูมิเข้ากับตัวควบคุมเพื่อวัดอุณหภูมิ
Filter (ตัวกรอง)	กำหนดค่าเวลากรองเพื่อเพิ่มความเสถียรของสัญญาณ ค่าเวลาที่จะคำนวณค่าเฉลี่ยระหว่างเวลาที่กำหนด-0 (ไม่มีผล ค่าเริ่มต้น) เป็น 60 วินาที (เฉลี่ยค่าสัญญาณเป็นเวลา 60 วินาที) ตัวกรองจะเพิ่มเวลาสำหรับสัญญาณเซ็นเซอร์เพื่อตอบสนองต่อการเปลี่ยนแปลงจริงที่เกิดขึ้นในกระบวนการ
Pure H2O compensation (การชดเชย H2O บริสุทธิ์)	สำหรับเซ็นเซอร์ pH เท่านั้น—ปรับแก้อุณหภูมิสำหรับค่า pH ที่ตรวจวัดได้สำหรับน้ำบริสุทธิ์ร่วมกับสารเติมแต่ง ตัวเลือก: None (ไม่มี) (ค่าเริ่มต้น), Ammonia (แอมโมเนีย), Morpholine (มอร์โฟลีน) หรือ User defined (ผู้ใช้กำหนด) สำหรับอุณหภูมิที่เกินกว่า 50 °C ค่าปรับแก้ที่ 50 °C จะถูกนำมาใช้ในกรณีที่ผู้ใช้กำหนดเอง จะสามารถรอกค่าแนวลาดความคลาดเคลื่อน (ค่าเริ่มต้น: 0 pH/°C)
ISO point (ค่า ISO)	สำหรับเซ็นเซอร์ pH เท่านั้น ตั้งค่าไอโซเทนเซียล ที่ค่าแนวลาด (ความชัน) pH จะไม่ขึ้นอยู่กับอุณหภูมิ เซ็นเซอร์ส่วนใหญ่จะมีค่าไอโซเทนเซียล 7.00 pH (ค่าเริ่มต้น) อย่างไรก็ตาม เซ็นเซอร์สำหรับการใช้งานพิเศษอาจมีค่าไอโซเทนเซียลที่แตกต่างกันไป
Data logger interval (ช่วงเครื่องมือบันทึกข้อมูล)	กำหนดช่วงเวลาสำหรับเซ็นเซอร์และการจัดเก็บข้อมูลการวัดอุณหภูมิในบันทึกข้อมูล-5, 30 วินาที 1, 2, 5, 10, 15 (ค่าเริ่มต้น) 30, 60 นาที
Reset to default values (รีเซ็ตเป็นค่าเริ่มต้น)	ตั้งเมนู Settings (การตั้งค่า) ให้เป็นการตั้งค่าเริ่มต้นจากโรงงานแล้วรีเซ็ตตัวนับ ข้อมูลเซ็นเซอร์ทั้งหมดจะหายไป



ตาราง 2 เซ็นเซอร์ที่เชื่อมต่อกับเกตเวย์ดิจิทัลของ SC

ตัวเลือก	คำอธิบาย
Name (ชื่อ)	เปลี่ยนชื่อที่ตรงกับเซ็นเซอร์ที่ด้านบนของหน้าจอตาวจัด ชื่อจำกัดความยาวไว้ที่ 12 ตัวอักษร โดยสามารถใช้ตัวอักษร ตัวเลข ช่องว่างหรือเครื่องหมายวรรคตอน
Select sensor (เลือกเซ็นเซอร์)	เลือกประเภทเซ็นเซอร์ (pH หรือ ORP) ORP (ORP)
Format (รูปแบบ)	โปรดดูรายละเอียดใน ตาราง 1
Temperature (อุณหภูมิ)	โปรดดูรายละเอียดใน ตาราง 1
Data logger interval (ช่วงเครื่องมือบันทึกข้อมูล)	กำหนดช่วงเวลาสำหรับเซ็นเซอร์และการจัดเก็บข้อมูลการวัดอุณหภูมิในบันทึกข้อมูล-5, 10, 15, 30 วินาที 1, 5, 10, 15 (ค่าเริ่มต้น) 30 นาที, 1, 2, 6, 12 ชั่วโมง
Alternating current frequency (ความถี่กระแสไฟฟ้าสลับ)	เลือกความถี่ของสายไฟเพื่อการป้องกันการรบกวนที่ดีที่สุด ตัวเลือก: 50 หรือ 60 Hz (ค่าเริ่มต้น)

ตาราง 2 เซ็นเซอร์ที่เชื่อมต่อกับหน่วยดีจิตอล SC (ต่อ)

ตัวเลือก	คำอธิบาย
Filter (ตัวกรอง)	โปรดดูรายละเอียดใน ตาราง 1
Temperature element (องค์ประกอบเกี่ยวกับอุณหภูมิ)	โปรดดูรายละเอียดใน ตาราง 1
Select standard buffer (เลือกบัฟเฟอร์มาตรฐาน)	สำหรับเซ็นเซอร์ pH เท่านั้น—ตั้งบัฟเฟอร์ pH ที่ใช้สำหรับการสอบเทียบ การแก้ไขอัตโนมัติ ตัวเลือก: 4.00, 7.00, 10.00 (ชุดเริ่มต้น) หรือ DIN 19267 (pH 1.09, 4.65, 6.79, 9.23, 12.75) บันทึก: สามารถใช้บัฟเฟอร์อื่นๆ ถ้าเลือกใช้ <i>2-point manual correction</i> (การแก้ไขด้วยตัวเอง 2 จุด) หรือ <i>2-point</i> จุดเพื่อการสอบเทียบ
Pure H2O compensation (การชดเชย H2O บริสุทธิ์)	โปรดดูรายละเอียดใน ตาราง 1 ยังสามารถเลือก <i>4-point matrix correction</i> (การแก้ไขเมทริกซ์ 4 จุด) 1-, -2-, -3 หรือ <i>4-point 4-point matrix correction</i> (การแก้ไขเมทริกซ์ 4 จุด) 1-, -2-, 3 หรือ 4-จุดนั้นเป็นวิธีการชดเชยที่ตั้งโปรแกรมไว้ล่วงหน้าในเฟิร์มแวร์
Last calibration (การสอบเทียบครั้งล่าสุด)	ตั้งการเตือนสำหรับการสอบเทียบครั้งถัดไป (ถ้าเริ่มต้น: 60 วัน) จะแสดงการเตือนให้สอบเทียบเซ็นเซอร์บนหน้าจอ หลังจากผ่านพ้นช่วงเวลาที่ตั้งเลือก ตัวอย่าง เช่น ถ้าวันที่ของการสอบเทียบครั้งล่าสุดคือ 15 มิถุนายน และตั้ง Last calibration (การสอบเทียบครั้งล่าสุด) (การสอบเทียบครั้งล่าสุด) เป็น 60 วัน ระบบจะแสดงการแจ้งเตือนให้สอบเทียบบนหน้าจอในวันที่ 14 สิงหาคม ถ้าสอบเทียบเซ็นเซอร์ก่อนวันที่ 14 สิงหาคม ในวันที่ 15 กรกฎาคมจะแสดงการแจ้งเตือนการสอบเทียบบนหน้าจอในวันที่ 13 กันยายน
Sensor days (วันเซ็นเซอร์)	ตั้งการเตือนสำหรับเปลี่ยนเซ็นเซอร์ (ถ้าเริ่มต้น: 365 วัน) จะแสดงการเตือนให้เปลี่ยนเซ็นเซอร์บนหน้าจอ หลังจากผ่านพ้นช่วงเวลาที่ตั้งเลือก จะแสดงตัวนับ Sensor days (วันเซ็นเซอร์) บนเมนู Diagnostics/Test (การวินิจฉัย/การทดสอบ) > Counter (ตัวนับ) เมื่อเปลี่ยนเซ็นเซอร์ ให้รีเซ็ตตัวนับ Sensor days (วันเซ็นเซอร์) บนเมนู Diagnostics/Test (การวินิจฉัย/การทดสอบ) > Counter (ตัวนับ)
Impedance limits (จำกัดความต้านทานไฟฟ้า)	ตั้งค่าขีดจำกัดความต้านทานสูงและต่ำสำหรับ Active electrode (อิเล็กโทรดที่ทำงานอยู่) และ Reference electrode (อิเล็กโทรดอ้างอิง)
Reset setup (รีเซ็ตการตั้งค่า)	ตั้งเมนู Settings (การตั้งค่า) ให้เป็นการตั้งค่าเริ่มต้นจากโรงงานแล้วรีเซ็ตตัวนับ ข้อมูลเซ็นเซอร์ทั้งหมดจะหายไป

5.3 สอบเทียบเซ็นเซอร์

⚠ คำเตือน	
	อันตรายจากแรงดันของเหลว การนำเซ็นเซอร์ออกจากภาชนะที่มีแรงดันอาจเป็นอันตรายได้ ลดแรงดันให้ต่ำกว่า 7.25 psi (50 kPa) ก่อนเอาออก หากไม่สามารถทำได้ ให้ใช้ความระมัดระวังเป็นอย่างยิ่ง ดูรายละเอียดเพิ่มเติมจากเอกสารกำกับที่จัดมาให้สำหรับอุปกรณ์ที่ติดตั้ง
⚠ คำเตือน	
	อาจได้รับอันตรายจากการสัมผัสสารเคมี ปฏิบัติตามขั้นตอนเพื่อความปลอดภัยในห้องปฏิบัติการ และสวมใส่อุปกรณ์ป้องกันทั้งหมด ให้เหมาะสมในการดำเนินงานกับสารเคมีนี้ๆ โปรดดูกฎระเบียบด้านความปลอดภัยที่ออกสารข้อมูลด้านความปลอดภัยฉบับปัจจุบัน (MSDS/SDS)



อาจได้รับอันตรายจากการสัมผัสสารเคมี การกำจัดสารเคมีและของเสียตามกฎข้อบังคับของท้องถิ่น ภูมิภาค และประเทศ

5.3.1 เกี่ยวกับการสอบเทียบเซ็นเซอร์

การสอบเทียบดำเนินการเพื่อปรับแต่งการอ่านค่าของเซ็นเซอร์ให้สอดคล้องกับค่าอ้างอิงตั้งแต่หนึ่งตัวขึ้นไป การทำงานของเซ็นเซอร์จะมีการเปลี่ยนแปลงเล็กน้อยไปตามระยะเวลา ซึ่งจะทำให้เซ็นเซอร์สูญเสียความแม่นยำไปเล็กน้อย จะต้องมีการสอบเทียบเซ็นเซอร์เป็นประจำเพื่อให้มีความแม่นยำอยู่เสมอ ความถี่ในการสอบเทียบจะแตกต่างกันไปตามรูปแบบการใช้งานและต้องอาศัยประสบการณ์

องค์ประกอบด้านอุณหภูมิถูกนำมาใช้เพื่ออ่านค่า pH ซึ่งจะมีการปรับแต่งอัตโนมัติเป็น 25 °C สำหรับการเปลี่ยนแปลงอุณหภูมิที่ส่งผลต่อขั้วไฟฟ้าที่มีกระแสและขั้วไฟฟ้าอ้างอิง การปรับแต่งนี้สามารถดำเนินการได้เองโดยดูค่าหาอุณหภูมิคงที่

ระหว่างปรับเทียบข้อมูลจะไม่ถูกส่งไปยังบันทึกข้อมูล ดังนั้นบันทึกข้อมูลอาจมีส่วนที่ข้อมูลไม่ต่อเนื่อง

5.3.2 เปลี่ยนตัวเลือกการสอบเทียบ

สำหรับเซ็นเซอร์ที่เชื่อมต่อกับโมดูล pH/ORP ผู้ใช้สามารถตั้งค่าการแจ้งเตือน หรือระบุ ID ผู้ควบคุมที่มีข้อมูลการสอบเทียบจากเมนู Calibration options (ตัวเลือกการสอบเทียบ) (ตัวเลือกการสอบเทียบ)

บันทึก: ไม่สามารถใช้ขั้นตอนนี้ได้กับเซ็นเซอร์ที่เชื่อมต่อกับเกตเวย์ดิจิทัล SC

1. เลือกไอคอนเมนูหลัก แล้วเลือก **Devices (อุปกรณ์)** จะแสดงรายการของอุปกรณ์ทั้งหมดที่พร้อมใช้
2. เลือกเซ็นเซอร์ แล้วเลือก **Device menu (เมนูอุปกรณ์) > Calibration (การสอบเทียบ)**
3. เลือก **Calibration options (ตัวเลือกการสอบเทียบ)** (ตัวเลือกการสอบเทียบ)
4. เลือกตัวเลือก

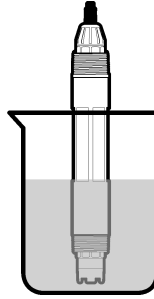
ตัวเลือก	คำอธิบาย
Select standard buffer (เลือกบัฟเฟอร์มาตรฐาน)	สำหรับเซ็นเซอร์ pH เท่านั้น—ตั้งบัฟเฟอร์ pH ที่ใช้สำหรับการสอบเทียบการแก้ไขอัตโนมัติ ตัวเลือก: 4.00, 7.00, 10.00 (ชุดเริ่มต้น), DIN 19267 (pH 1.09, 4.65, 6.79, 9.23, 12.75) หรือ NIST 4.00, 6.00, 9.00 บันทึก: สามารถใช้บัฟเฟอร์อื่นๆ ถ้าเลือกใช้ 2-point value calibration (การสอบเทียบค่า 2 จุด) หรือ 2-point เพื่อการสอบเทียบ
Calibration reminder (แจ้งเตือนสอบเทียบ)	ตั้งการเตือนสำหรับการสอบเทียบครั้งถัดไป (ถ้าเริ่มต้น: Off (ปิด)) จะแสดงการเตือนให้สอบเทียบเซ็นเซอร์บนหน้าจอหลังจากผ่านพ้นช่วงเวลาທີ່เลือกจากวันที่ที่สอบเทียบครั้งล่าสุด ตัวอย่าง เช่น ถ้าวันที่ของการสอบเทียบครั้งล่าสุดคือ 15 มิถุนายน และตั้ง Last calibration (การสอบเทียบครั้งล่าสุด) (การสอบเทียบครั้งล่าสุด) เป็น 60 วัน ระบบจะแสดงการแจ้งเตือนให้สอบเทียบบนหน้าจอในวันที่ 14 สิงหาคม ถ้าสอบเทียบเซ็นเซอร์ก่อนวันที่ 14 สิงหาคม ในวันที่ 15 กรกฎาคมจะแสดงการแจ้งเตือนการสอบเทียบบนหน้าจอในวันที่ 13 กันยายน
Operator ID for calibration (ID ผู้ควบคุมสำหรับการสอบเทียบ)	ระบุ ID ผู้เข้าร่วมกับข้อมูลการสอบเทียบ ใช่ หรือ ไม่ (ถ้าเริ่มต้น) ID จะถูกกรอกระหว่างการสอบเทียบ

5.3.3 ขั้นตอนการสอบเทียบ pH

สอบเทียบเซ็นเซอร์ pH ด้วยสารละลายอ้างอิงหนึ่งตัวหรือสองตัว (การสอบเทียบ 1 จุดหรือ 2 จุด) ระบบจะสามารถตรวจพบบัฟเฟอร์มาตรฐานอัตโนมัติ

1. ใส่เซ็นเซอร์ไว้ในสารละลายอ้างอิงแรก (บัฟเฟอร์หรือตัวอย่างที่รู้ค่า) ตรวจสอบให้แน่ใจว่าส่วนเซ็นเซอร์ของโพรบได้จุ่มอยู่ในของเหลว () ทั้งหมด **รูปที่ 4**

รูปที่ 4 ลักษณะเซ็นเซอร์ในสารละลายอ้างอิง



- รอให้อุณหภูมิเซ็นเซอร์และสารละลายเกิดความเสถียรภาพ อาจต้องใช้เวลาระยะเวลาประมาณ 30 นาทีหรือเกินกว่านี้หากค่าอุณหภูมิระหว่างอุปกรณ์และสารละลายอ้างอิงต่างกันมาก
- เลือกไอคอนเมนูหลัก แล้วเลือก **Devices (อุปกรณ์)** จะแสดงรายการของอุปกรณ์ทั้งหมดที่พร้อมใช้
- เลือกเซ็นเซอร์ แล้วเลือก **Device menu (เมนูอุปกรณ์) > Calibration (การสอบเทียบ)**
- เลือกประเภทการสอบเทียบ:

ตัวเลือก	คำอธิบาย
1-point buffer calibration (การสอบเทียบบัฟเฟอร์ 1 จุด) (หรือ 1-point auto correction (การแก้ไขอัตโนมัติ 1 จุด))	ใช้บัฟเฟอร์หนึ่งตัวสำหรับการสอบเทียบ (เช่น pH 7) เซ็นเซอร์จะระบุบัฟเฟอร์ในระหว่างการสอบเทียบโดยอัตโนมัติ บันทึก: ตรวจสอบให้แน่ใจว่าได้เลือกชุดบัฟเฟอร์ใน Calibration (การสอบเทียบ) > Calibration options (ตัวเลือกการสอบเทียบ) > menu Select standard buffer (เลือกบัฟเฟอร์มาตรฐาน) (หรือ Settings (การตั้งค่า) > menu Select standard buffer (เลือกบัฟเฟอร์มาตรฐาน))
2-point buffer calibration (การสอบเทียบบัฟเฟอร์ 2 จุด) (หรือ 2-point auto correction (การแก้ไขอัตโนมัติ 2 จุด))	ใช้บัฟเฟอร์สองตัวสำหรับการสอบเทียบ (เช่น pH 7 และ pH 4) เซ็นเซอร์จะระบุบัฟเฟอร์ในระหว่างการสอบเทียบโดยอัตโนมัติ บันทึก: ตรวจสอบให้แน่ใจว่าได้เลือกชุดบัฟเฟอร์ใน Calibration (การสอบเทียบ) > Calibration options (ตัวเลือกการสอบเทียบ) > menu Select standard buffer (เลือกบัฟเฟอร์มาตรฐาน) (หรือ Settings (การตั้งค่า) > menu Select standard buffer (เลือกบัฟเฟอร์มาตรฐาน))
1-point value calibration (การสอบเทียบค่า 1 จุด) (หรือ 1-point manual correction (การแก้ไขด้วยตัวเอง 1 จุด))	ใช้ตัวอย่างหนึ่งตัว (หรือบัฟเฟอร์หนึ่งตัว) สำหรับการสอบเทียบ พิจารณาว่า pH ของตัวอย่างกับอุปกรณ์อื่น บ่อนค่า pH ในระหว่างการสอบเทียบ
2-point value calibration (การสอบเทียบค่า 2 จุด) (หรือ 2-point manual correction (การแก้ไขด้วยตัวเอง 2 จุด))	ใช้ตัวอย่างที่รู้ค่าสองตัว (หรือบัฟเฟอร์สองตัว) สำหรับการสอบเทียบ พิจารณาว่า pH ของตัวอย่างกับอุปกรณ์อื่น บ่อนค่า pH ในระหว่างการสอบเทียบ

- เลือกตัวเลือกสำหรับเอาต์พุตระหว่างการสอบเทียบ:

ตัวเลือก	คำอธิบาย
Active (ทำงาน)	อุปกรณ์จะส่งค่ากระแสที่ตรวจวัดได้ระหว่างขั้นตอนการสอบเทียบ
Hold (หยุดชั่วคราว)	กระแสน้ำไหลของเซ็นเซอร์จะคงค้างไว้สำหรับค่าตรวจวัดระหว่างขั้นตอนการสอบเทียบ
Transfer (โอนถ่าย)	ค่าขาออกที่กำหนดไว้เบื้องต้นจะถูกส่งออกระหว่างการสอบเทียบ วิธีการเปลี่ยน/ตั้งค่า จากคู่มือการใช้งานอุปกรณ์ควบคุม

- ขณะเซ็นเซอร์อยู่ในสารละลายอ้างอิงแรก ให้กดปุ่ม OK ค่าตรวจวัดจะปรากฏขึ้น
- รอให้ค่านิ่ง จากนั้นกด OK
บันทึก: หน้าจออาจเข้าสู่ขั้นตอนต่อไปโดยอัตโนมัติ
- ถ้าทำได้ ให้บ่อนค่า pH แล้วกด OK
บันทึก: ถ้าสารละลายอ้างอิงเป็นบัฟเฟอร์ ให้หาค่า pH บนขวดบัฟเฟอร์สำหรับอุณหภูมิของบัฟเฟอร์ ถ้าสารละลายอ้างอิงเป็นตัวอย่าง ให้ตรวจหาค่า pH ของตัวอย่างด้วยเครื่องมืออื่น

10. สำหรับการสอบเทียบ 2 จุด ให้ตรวจวัดสารละลายอ้างอิงชุดที่สองดังนี้:

- a. นำเซ็นเซอร์ออกจากสารละลายชุดแรกและล้างด้วยน้ำสะอาด
- b. ใส่เซ็นเซอร์ในสารละลายอ้างอิงถัดไป จากนั้นกด OK
- c. รอให้ค่านิ่ง จากนั้นกด OK

บันทึก: หน้าจออาจเข้าสู่ขั้นตอนต่อไปโดยอัตโนมัติ

- d. ถ้าทำได้ ให้ป้อนค่า pH แล้วกด OK

11. พิจารณาผลการสอบเทียบ:

- "The calibration was successfully completed. (การสอบเทียบสำเร็จ)" —เซ็นเซอร์ได้รับการสอบเทียบและพร้อมสำหรับตรวจวัดตัวอย่าง ความชื้นและ/หรือค่าออกซิเจนจะปรากฏขึ้น
- "The calibration failed. (การสอบเทียบล้มเหลว)." —ความชื้นการสอบเทียบหรือค่าออกซิเจนอยู่นอกช่วงที่ยอมรับได้ ทำการสอบเทียบซ้ำโดยใช้สารละลายอ้างอิงใหม่ ทำความสะอาดเซ็นเซอร์เมื่อจำเป็น

12. กดOK

13. นำเซ็นเซอร์กลับคืนที่ จากนั้นกดปุ่ม OK

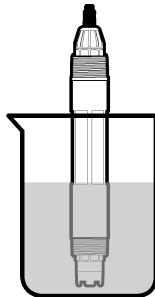
สัญญาณของจอจะปรับเป็นสถานะพร้อมใช้งาน และค่าตัวอย่างตรวจวัดจะปรากฏในหน้าจอการตรวจวัด

5.3.4 ขั้นตอนการสอบเทียบ ORP

สามารถสอบเทียบเซ็นเซอร์ ORP โดยใช้สารละลายอ้างอิงหนึ่ง (การสอบเทียบ 1 จุด)

- 1. ใส่เซ็นเซอร์ไว้ในสารละลายอ้างอิง (สารละลายอ้างอิงหรือตัวอย่างที่รู้ค่า) ตรวจสอบว่าส่วนหัวตรวจของเซ็นเซอร์จุ่มอยู่ในสารละลายอยู่ (รูปที่ 5)

รูปที่ 5 ลักษณะเซ็นเซอร์ในสารละลายอ้างอิง



- 2. เลือกไอคอนเมนูหลัก แล้วเลือก **Devices (อุปกรณ์)** จะแสดงรายการของอุปกรณ์ทั้งหมดที่พร้อมใช้
- 3. เลือกเซ็นเซอร์ แล้วเลือก **Device menu (เมนูอุปกรณ์) > Calibration (การสอบเทียบ)**
- 4. เลือก **1-point value calibration (การสอบเทียบค่า 1 จุด)** (หรือ **1-point manual correction (การแก้ไขด้วยตัวเอง 1 จุด)**)
- 5. เลือกตัวเลือกสำหรับเอาต์พุตระหว่างการสอบเทียบ:

ตัวเลือก	คำอธิบาย
Active (ทำงาน)	อุปกรณ์จะส่งค่ากระแสที่ตรวจวัดได้ระหว่างขั้นตอนการสอบเทียบ
Hold (หยุดชั่วคราว)	กระแสเอาต์พุตของเซ็นเซอร์จะคงไว้สำหรับค่าตรวจวัดระหว่างขั้นตอนการสอบเทียบ
Transfer (โอนถ่าย)	ค่าเอาต์พุตที่กำหนดไว้เบื้องต้นจะถูกส่งออกระหว่างการสอบเทียบ คู่มือการเปลี่ยน/ตั้งค่า จากคู่มือการใช้งานอุปกรณ์ควบคุม

6. ขณะเซ็นเซอร์อยู่ในสารละลายอ้างอิงหรือในตัวอย่าง กดปุ่มOK

ค่าตรวจวัดจะปรากฏขึ้น

7. รอให้ค่านิ่ง จากนั้นกด OK

บันทึก: หน้าจออาจเข้าสู่ขั้นตอนต่อไปโดยอัตโนมัติ

8. หากใช้ตัวอย่างเพื่อสอบเทียบ ให้ตรวจวัดค่า ORP ของตัวอย่างโดยใช้อุปกรณ์ตรวจสอบชิ้นอื่นเสริม ป้อนค่าที่วัดได้ แล้วกด OK

9. ถ้ามีการใช้สารละลายอ้างอิงสำหรับการสอบเทียบ ให้ป้อนค่า ORP บนขวด กดOK

10. พิจารณาผลการสอบเทียบ:

- "The calibration was successfully completed. (การสอบเทียบสำเร็จ)" —เซ็นเซอร์ได้รับการสอบเทียบและพร้อมสำหรับตรวจวัดตัวอย่าง ความชื้นและ/หรือค่าออกซิเจนจะปรากฏขึ้น
- "The calibration failed. (การสอบเทียบล้มเหลว.)" —ความชื้นการสอบเทียบหรือค่าออกซิเจนอยู่นอกช่วงที่ยอมรับได้ ทำการสอบเทียบซ้ำโดยใช้สารละลายอ้างอิงใหม่ ทำความสะอาดเซ็นเซอร์เมื่อจำเป็น

11. กดOK

12. นำเซ็นเซอร์กลับคืนที่ จากนั้นกดปุ่ม OK

สัญญาณขาออกจะปรับเป็นสถานะพร้อมใช้งาน และค่าตัวอย่างตรวจวัดจะปรากฏในหน้าจอการตรวจวัด

5.3.5 การสอบเทียบอุณหภูมิ

อุปกรณ์ได้รับการสอบเทียบจากโรงงานเพื่อให้สามารถตรวจวัดอุณหภูมิได้อย่างแม่นยำ สามารถสอบเทียบอุณหภูมิเพื่อเพิ่มความแม่นยำ

1. ใต้เซ็นเซอร์ลงในภาชนะบรรจุที่มีน้ำ
2. ตรวจวัดอุณหภูมิในน้ำโดยใช้เทอร์โมมิเตอร์ที่เชื่อถือได้หรือเครื่องมือแยกเฉพาะ
3. เลือกไอคอนเมนูหลัก แล้วเลือก **Devices (อุปกรณ์)** จะแสดงรายการของอุปกรณ์ทั้งหมดที่พร้อมใช้
4. เลือกเซ็นเซอร์ แล้วเลือก **Device menu (เมนูอุปกรณ์) > Calibration (การสอบเทียบ)**
5. สำหรับเซ็นเซอร์ที่เชื่อมต่อกับโมดูล pH/ORP ให้ทำขั้นตอนต่อไปนี้:
 - a. เลือก **1-point temperature calibration (การสอบเทียบอุณหภูมิ 1 จุด)**
 - b. รอให้ค่านิ่ง จากนั้นกด OK
 - c. ป้อนค่าที่ต้องการแล้วกด OK
6. สำหรับเซ็นเซอร์ที่เชื่อมต่อกับเคเบิลดิจิทัล SC ให้ทำขั้นตอนต่อไปนี้:
 - a. เลือก **Temperature adjustment (การปรับอุณหภูมิ)**
 - b. รอให้ค่านิ่ง จากนั้นกด OK
 - c. เลือก **Edit Temperature (แก้ไขอุณหภูมิ)**
 - d. ป้อนค่าที่ต้องการแล้วกด OK
7. นำเซ็นเซอร์กลับคืนที่ จากนั้นกดไอคอนหน้าหลัก

5.3.6 ออกจากการสอบเทียบ

1. กดไอคอนย้อนกลับ เพื่อออกจากการสอบเทียบ
2. เลือกตัวเลือกหนึ่ง แล้วกด OK

ตัวเลือก	คำอธิบาย
Quit calibration (ออกจากการสอบเทียบ) (หรือ Cancel (ยกเลิก))	หยุดการสอบเทียบ เริ่มการสอบเทียบใหม่ทั้งหมด
Return to calibration (กลับสู่การสอบเทียบ)	กลับไปทำการสอบเทียบ
Leave calibration (ออกจากการสอบเทียบ) (หรือ Exit (ออก))	ออกจากการสอบเทียบชั่วคราว สามารถเข้าสู่เมนูอื่น ๆ ได้ จะสามารถเริ่มการสอบเทียบสำหรับเซ็นเซอร์ตัวที่สอง (ถ้ามีอยู่)

5.3.7 รีเซ็ตการสอบเทียบ

สามารถรีเซ็ตการสอบเทียบกลับเป็นการตั้งค่าเริ่มต้นจากโรงงาน ข้อมูลเซ็นเซอร์ทั้งหมดจะหายไป

1. เลือกไอคอนเมนูหลัก แล้วเลือก **Devices (อุปกรณ์)** จะแสดงรายการของอุปกรณ์ทั้งหมดที่พร้อมใช้
2. เลือกเซ็นเซอร์ แล้วเลือก **Device menu (เมนูอุปกรณ์) > Calibration (การสอบเทียบ)**
3. เลือก **Reset to default calibration values (รีเซ็ตเป็นค่าการสอบเทียบเริ่มต้น)** (หรือ **Reset setup (รีเซ็ตการตั้งค่า)**) แล้วกด OK
4. กด OK อีกครั้ง

5.4 การวัดค่าความต้านทานไฟฟ้า

ในการเพิ่มความน่าเชื่อถือของระบบการวัดค่า pH อุปกรณ์ควบคุมจะทำการวัดค่าความต้านทานไฟฟ้าของอิเล็กโทรดแก้ว อุปกรณ์จะทำการวัดทุกหนึ่งนาที ในระหว่างการวินิจฉัย การอ่านผลการวัดค่า pH จะถูกพักไว้เป็นเวลา 5 วินาที หากมีข้อความแสดงข้อผิดพลาดปรากฏขึ้น โปรดดูที่ **รายการข้อผิดพลาด** ในหน้า 161 สำหรับรายละเอียดเพิ่มเติม

หากต้องการเปิดใช้หรือปิดเซ็นเซอร์วัดค่าความต้านทานไฟฟ้า:

1. เลือกไอคอนเมนูหลัก แล้วเลือก **Devices (อุปกรณ์)** จะแสดงรายการของอุปกรณ์ทั้งหมดที่พร้อมใช้
2. เลือกอุปกรณ์แล้วเลือก **Device menu (เมนูอุปกรณ์) > Diagnostics/Test (การวินิจฉัย/การทดสอบ)**
3. สำหรับเซ็นเซอร์ที่เชื่อมต่อกับโมดูล pH/ORP ให้เลือก **Impedance status (สถานะความต้านทานไฟฟ้า)**
4. สำหรับเซ็นเซอร์ที่เชื่อมต่อกับเกตเวย์ดิจิทัล SC ให้เลือก **Signals (สัญญาณ) > Impedance status (สถานะความต้านทานไฟฟ้า)**
5. เลือก **Enabled (เปิดใช้งาน)** หรือ **Disabled (ปิด)** แล้วกด OK

เพื่อที่จะดูค่าความต้านทานขั้วไฟฟ้าที่มีกระแส และค่าความต้านทานขั้วไฟฟ้าอ้างอิง ให้เลือก **Sensor signals (ซีเรียลนัมเบอร์ เซ็นเซอร์)** (หรือ **Signals (สัญญาณ)**) แล้วกด OK

5.5 MODBUS รีจิสเตอร์

รายการรีจิสเตอร์ Modbus สำหรับการเชื่อมต่อเครือข่าย สามารถดูรายละเอียดเพิ่มเติมได้ใน CD

หัวข้อที่ 6 การบำรุงรักษา

⚠ คำเตือน	
	อันตรายหลายประการ บุคลากรผู้เชี่ยวชาญเท่านั้นที่ควรดำเนินการตามขั้นตอนที่ระบุในเอกสารส่วนนี้
⚠ คำเตือน	
	อันตรายจากการระเบิด ห้ามเชื่อมต่อหรือถอดอุปกรณ์เว้นแต่จะทราบว่าสภาพแวดล้อมไม่เป็นอันตราย โปรดดูเอกสารประกอบการควบคุม Class 1, Division 2 สำหรับคำแนะนำสถานที่อันตราย
⚠ คำเตือน	
	อันตรายจากแรงดันของเหลว การนำเซ็นเซอร์ออกจากภาชนะที่มีแรงดันอาจเป็นอันตรายได้ ลดแรงดันให้ต่ำกว่า 7.25 psi (50 kPa) ก่อนเอาออก หากไม่สามารถทำได้ ให้ใช้ความระมัดระวังเป็นอย่างยิ่ง ดูรายละเอียดเพิ่มเติมจากเอกสารกำกับที่จัดมาให้สำหรับอุปกรณ์ที่ใช้ติดตั้ง
⚠ คำเตือน	
	อาจได้รับอันตรายจากการสัมผัสสารเคมี ปฏิบัติตามขั้นตอนเพื่อความปลอดภัยในห้องปฏิบัติการ และสวมใส่อุปกรณ์ป้องกันทั้งหมด ให้เหมาะสมในการดำเนินงานกับสารเคมีนั้นๆ โปรดดูกฎระเบียบด้านความปลอดภัยที่เอกสารข้อมูลด้านความปลอดภัยฉบับปัจจุบัน (MSDS/SDS)
⚠ ข้อควรระวัง	
	อาจได้รับอันตรายจากการสัมผัสสารเคมี การกำจัดสารเคมีและของเสียตามกฎหมายบังคับของท้องถิ่น ภูมิภาค และประเทศ

6.1 กำหนดการดูแลรักษา

ตาราง 3 แสดงกำหนดการปฏิบัติงานบำรุงรักษาที่แนะนำ ข้อกำหนดของสิ่งอำนวยความสะดวกต่างๆ และสภาพการทำงานอาจทำให้ความถี่ของงานบางอย่างเพิ่มขึ้น

ตาราง 3 กำหนดการบำรุงรักษา

การดูแลรักษา	1 ปี	ตามความจำเป็น
การทำความสะอาดเซ็นเซอร์ ในหน้า 157		X
เปลี่ยนสะพานเกลือ ในหน้า 157	X	
สอบเทียบเซ็นเซอร์ ในหน้า 151	กำหนดโดยหน่วยงานกำกับดูแลหรือผู้ที่มีความเชี่ยวชาญ	

6.2 การทำความสะอาดเซ็นเซอร์

เงื่อนไขเบื้องต้น: จัดเตรียมน้ำสบู่อ่อน ๆ หรือน้ำยาล้างจานที่ไม่มีฤทธิ์กัดกร่อนซึ่งไม่มีส่วนประกอบของคลอรีน คลอรีนจะทำให้เกิดขึ้นบาง ๆ ที่พื้นผิวขั้วไฟฟ้า และทำให้ประสิทธิภาพของเซ็นเซอร์ลดลง

ตรวจสอบเซ็นเซอร์เป็นระยะว่ามีสิ่งตกค้างหรือคราบสกปรกหรือไม่ ทำความสะอาดเซ็นเซอร์หากมีคราบสะสมหรือเมื่อประสิทธิภาพลดลง

1. ใช้น้ำอุ่นที่สะอาดเพื่อขัดคราบสกปรกออกจากปลายเซ็นเซอร์ ล้างเซ็นเซอร์ด้วยน้ำอุ่นที่สะอาด
2. จุ่มเซ็นเซอร์ 2 ถึง 3 นาทีในน้ำสบู่
3. ใช้แปรงขัดเนื้ออ่อนเพื่อขัดทำความสะอาดทั้งหมดของเซ็นเซอร์
4. หากมีคราบสกปรก ให้จุ่มด้านตรวจวัดของเซ็นเซอร์ในสารละลายกรดเจือจาง เช่น กรด HCl <5% เป็นเวลาไม่เกิน 5 นาที
5. ล้างเซ็นเซอร์ด้วยน้ำ ใช้น้ำสบู่ทำความสะอาด
6. ล้างเซ็นเซอร์โดยใช้น้ำสะอาด

บันทึก: เซ็นเซอร์ที่มีขั้วไฟฟ้าทองสำหรับการใช้งานกลุ่ม HF อาจต้องมีการทำความสะอาดเพิ่มเติม *ติดต่อฝ่ายให้บริการทางเทคนิค*

สอบเทียบเซ็นเซอร์หลังขั้นตอนการดูแลรักษาทุกครั้ง

6.3 เปลี่ยนสะพานเกลือ

เปลี่ยนสะพานเกลือและสารละลายเซลล์มาตรฐานทุกๆ 1 ปีหรือเมื่อการสอบเทียบล้มเหลวหลังจากทำความสะอาดเซ็นเซอร์แล้ว

บันทึก: มีวิดีโอที่แสดงวิธีเปลี่ยนสะพานเกลือใน www.Hach.com ไปที่หน้าเว็บสะพานเกลือ แล้วคลิกที่วิดีโอ (Video)

สิ่งที่ต้องเตรียม:

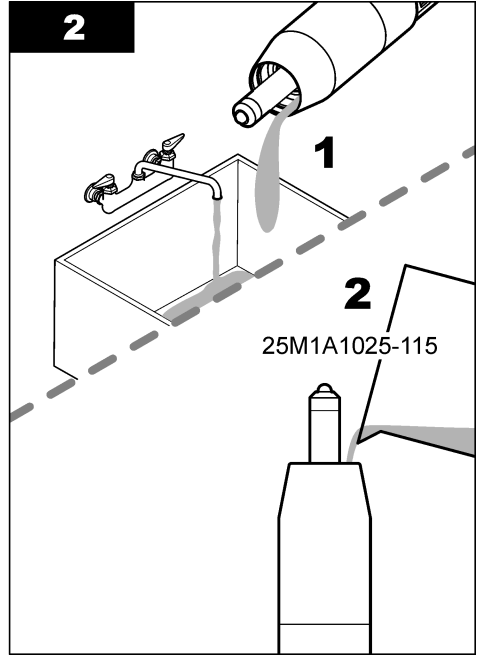
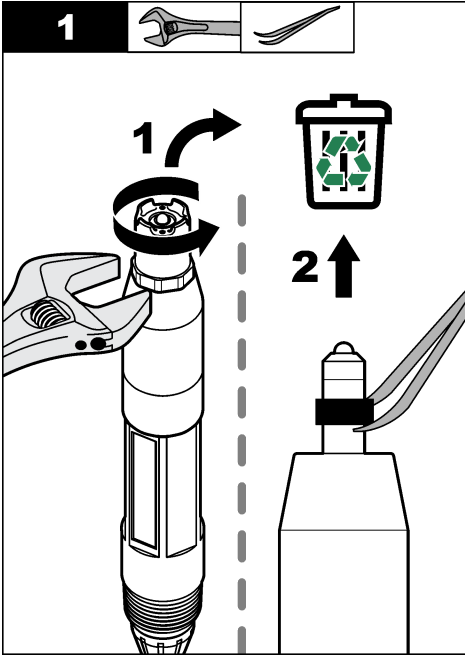
- ประแจเลื่อน Cut Out
- คีมหนีบขนาดใหญ่
- สะพานเกลือ
- สารละลายเซลล์มาตรฐาน
- ผงเจล³ 1/8 ซ้อนชา

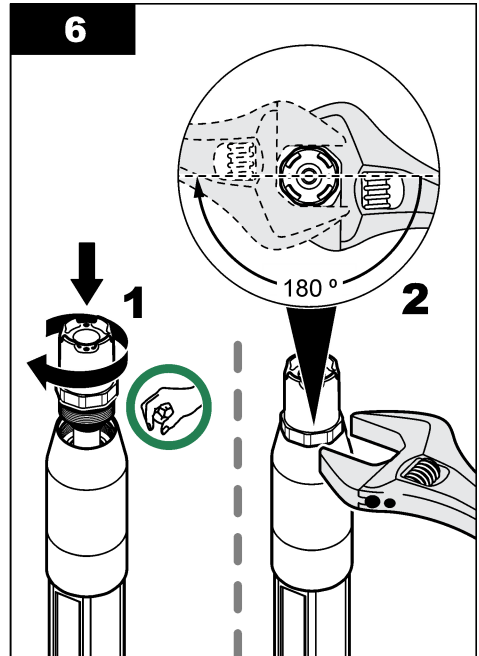
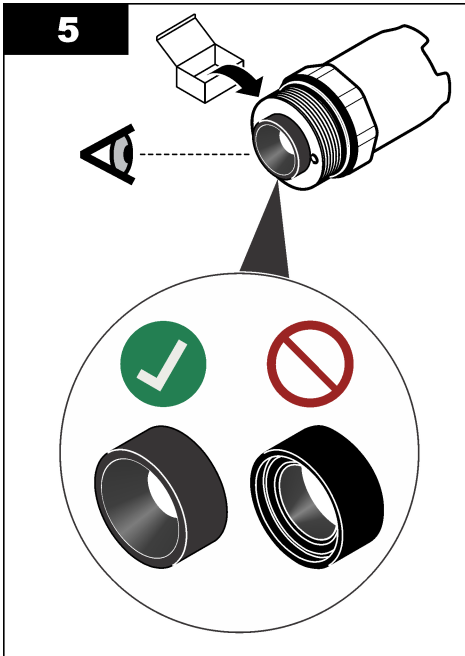
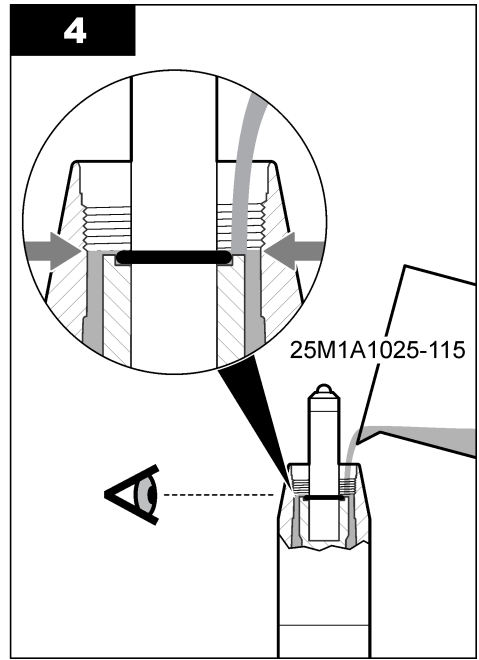
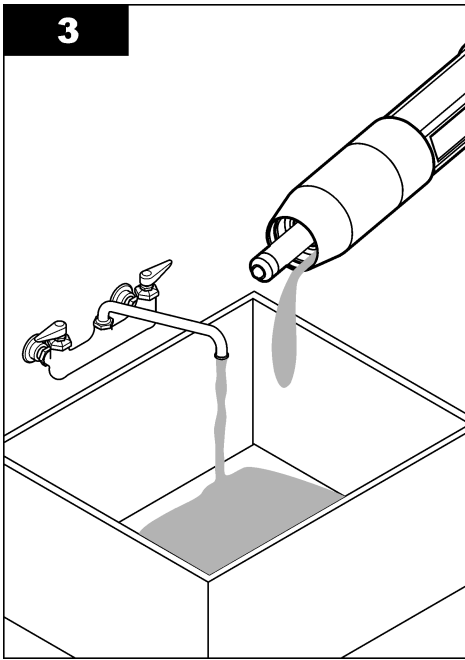
1. เช็ดทำความสะอาดหัววัดด้วยผ้าชุบน้ำหมาด จากนั้นเช็ดให้แห้ง ดูรายละเอียดใน [การทำความสะอาดเซ็นเซอร์](#) ในหน้า 157
2. เปลี่ยนสะพานเกลือและสารละลายเซลล์มาตรฐาน โปรดดูขั้นตอนที่แสดงไว้ในรูปภาพด้านล่าง
ถ้าอ่างเก็บสำหรับสารละลายเซลล์มาตรฐานมีเจลอยู่ภายใน (ไม่ปกติ) ให้ใช้อุปกรณ์พ่นน้ำเพื่อนำเจลเก่าออก ดังที่อธิบายในขั้นตอนที่ 2 (ไม่บังคับ) ถ้าน้ำใช้ในกระบวนการเข้าใกล้อุณหภูมินี้เดือด ให้ใส่ผงเจลงลงในสารละลายเซลล์มาตรฐานใหม่ดังที่อธิบายในขั้นตอนที่ 4 ดังต่อไปนี้:
 - a. เทผงเจระดับ 1 ของฝาขวด (1/8 ซ้อนชา) ลงในอ่างเก็บสำหรับสารละลายเซลล์มาตรฐาน
 - b. เทสารละลายเซลล์มาตรฐานใหม่ปริมาณเล็กน้อยในถัง

³ (ไม่บังคับ) ใส่ผงเจลงในสารละลายเซลล์มาตรฐาน ถ้าน้ำใช้ในกระบวนการเข้าใกล้อุณหภูมินี้เดือด ผงเจจะลดอัตราการระเหยของสารละลายเซลล์มาตรฐาน

- c. ผสมกับผงเจลจนขึ้นเหนียว
- d. ใส่สารละลายปริมาณเล็กน้อยและผสมจนระดับเจลอยู่ที่ด้านล่างของเกลียวสะพานเกลือ
- e. ตรวจสอบระดับความเหนียวของเจลโดยลงใส่และถอดสะพานเกลือ รอยสะพานเกลือควรค้างอยู่ที่พื้นผิวเจล

3. สอบเทียบเซ็นเซอร์





6.4 เตรียมเครื่องสำหรับการจัดเก็บ

สำหรับการจัดเก็บระยะสั้น (เมื่อเซ็นเซอร์ไม่อยู่ในกระบวนการนานกว่าหนึ่งชั่วโมง) เดิมฝาครอบป้องกันด้วยบัพเฟอร์ pH 4 หรือน้ำกลั่น แล้วใส่ฝาครอบกลับบนเซ็นเซอร์ ทำให้อิเล็กโทรดกระบวนการและสะพานเกลือจูดึงขึ้นหมาดๆ อยู่เสมอ เพื่อหลีกเลี่ยงการตอบสนองข้ามเมื่อเซ็นเซอร์กลับสู่การทำงาน

สำหรับการจัดเก็บเป็นเวลานาน ให้ทำซ้ำขั้นตอนการจัดเก็บระยะสั้นทุกๆ 2 ถึง 4 สัปดาห์ ขึ้นอยู่กับสภาพแวดล้อม โปรดดูขีดจำกัดอุณหภูมิจัดเก็บที่ [รายละเอียดทางเทคนิค](#) ในหน้า 144

หัวข้อที่ 7 การแก้ไขปัญหา

7.1 ข้อมูลไม่ต่อเนื่อง

ระหว่างปรับเทียบข้อมูลจะไม่ถูกส่งไปยังบันทึกข้อมูล ดังนั้นบันทึกข้อมูลอาจมีส่วนที่ข้อมูลไม่ต่อเนื่อง

7.2 ทดสอบเซ็นเซอร์ pH

เงื่อนไขเบื้องต้น: บัพเฟอร์ pH สองชุดและมัลติมิเตอร์

หากการสอบเทียบล้มเหลว ให้ทำการดูแลรักษาในเบื้องต้นตามที่ระบุใน [การบำรุงรักษา](#) ในหน้า 156

1. ใส่เซ็นเซอร์ไว้ในน้ำยาบัพเฟอร์ pH 7 และรอให้อุณหภูมิของเซ็นเซอร์และบัพเฟอร์เท่ากับอุณหภูมิห้อง
2. ปลดสายเซ็นเซอร์สีแดง เขียว เหลืองและดำออกจากโมดูลหรือเกดเวย์ดิจิทัล
3. ตรวจสอบความต้านทานระหว่างสายสีเหลืองและสีดำเพื่อยืนยันการทำงานของเซลล์วัดอุณหภูมิ ความต้านทานควรอยู่ระหว่าง 250 และ 350 โอห์ม ที่ประมาณ 25 °C
หากเซลล์วัดอุณหภูมิเป็นปกติ ให้ต่อสายสีเหลืองและสีดำเข้ากับโมดูล
4. วัด DC mV โดยต่อสายมัลติมิเตอร์ (+) เข้ากับสายสีแดง และสาย (-) เข้ากับสายสีเขียว ค่าควรอยู่ระหว่าง -50 และ + 50 mV หากค่าอยู่นอกช่วงที่กำหนดนี้ ให้ทำความสะอาดเซ็นเซอร์และเปลี่ยนสะพานเกลือและสารละลายเซลล์มาตรฐาน
5. ขณะต่อมัลติมิเตอร์ในลักษณะเดียวกัน ให้ล้างเซ็นเซอร์โดยใช้น้ำและใส่เซ็นเซอร์ไว้ในน้ำยาบัพเฟอร์ pH 4 หรือ pH 10 รอให้อุณหภูมิของเซ็นเซอร์และบัพเฟอร์เท่ากับอุณหภูมิห้อง
6. เปรียบเทียบค่า mV ในบัพเฟอร์ pH 4 หรือ pH 10 กับค่าในบัพเฟอร์ pH 7 ค่าควรแตกต่างกันประมาณ 160 mV หากค่าต่างน้อยกว่า 160 mV กรุณาติดต่อฝ่ายบริการทางเทคนิค

7.3 ทดสอบเซ็นเซอร์ ORP

เงื่อนไขเบื้องต้น: สารละลายอ้างอิง ORP 200 mV มัลติมิเตอร์

หากการสอบเทียบล้มเหลว ให้ทำการดูแลรักษาในเบื้องต้นตามที่ระบุใน [การบำรุงรักษา](#) ในหน้า 156

1. ใส่เซ็นเซอร์ไว้ในสารละลายอ้างอิง 200 mV และรอให้อุณหภูมิของเซ็นเซอร์และสารละลายเท่ากับอุณหภูมิห้อง
2. ปลดสายเซ็นเซอร์สีแดง เขียว เหลืองและดำออกจากโมดูลหรือเกดเวย์ดิจิทัล
3. ตรวจสอบความต้านทานระหว่างสายสีเหลืองและสีดำเพื่อยืนยันการทำงานของเซลล์วัดอุณหภูมิ ความต้านทานควรอยู่ระหว่าง 250 และ 350 โอห์ม ที่ประมาณ 25 °C
หากเซลล์วัดอุณหภูมิเป็นปกติ ให้ต่อสายสีเหลืองและสีดำเข้ากับโมดูล
4. วัด DC mV โดยต่อสายมัลติมิเตอร์ (+) เข้ากับสายสีแดง และสาย (-) เข้ากับสายสีเขียว ค่าควรอยู่ระหว่าง 160 และ 240 mV หากค่าอยู่นอกช่วงดังกล่าวนี้ กรุณาติดต่อฝ่ายบริการทางเทคนิค

7.4 เมนู Diagnostics/Test (การวินิจฉัย/การทดสอบ)

เมนู Diagnostics/Test (การวินิจฉัย/การทดสอบ) จะแสดงข้อมูลปัจจุบันและข้อมูลในอดีตของเซ็นเซอร์ โปรดดูรายละเอียดในตาราง 4 กดไอคอนเมนูหลักแล้วเลือก **Devices** (อุปกรณ์) เลือกอุปกรณ์แล้วเลือก **Device menu** (เมนูอุปกรณ์) > **Diagnostics/Test** (การวินิจฉัย/การทดสอบ)

ตาราง 4 เมนู Diagnostics/Test (การวินิจฉัย/การทดสอบ)

ตัวเลือก	คำอธิบาย
Module information (ข้อมูลโมดูล)	สำหรับเซ็นเซอร์ที่เชื่อมต่อกับโมดูล pH/ORP เท่านั้น—แสดงเวอร์ชันและซีเรียลนัมเบอร์สำหรับโมดูลเซ็นเซอร์
Sensor information (ข้อมูลเซ็นเซอร์)	สำหรับเซ็นเซอร์ที่เชื่อมต่อกับโมดูล pH/ORP—แสดงชื่อและซีเรียลนัมเบอร์ของเซ็นเซอร์ที่ป้อนโดยผู้ใช้ สำหรับเซ็นเซอร์ที่เชื่อมต่อกับเกตเวย์ดิจิทัล SC—แสดงหมายเลขรุ่นและชื่อของเซ็นเซอร์ที่ป้อนโดยผู้ใช้ และซีเรียลนัมเบอร์ของเซ็นเซอร์ แสดงเวอร์ชันของซอฟต์แวร์และของไดรเวอร์ที่ติดตั้ง
Last calibration (การสอบเทียบครั้งล่าสุด)	สำหรับเซ็นเซอร์ที่เชื่อมต่อกับโมดูล pH/ORP เท่านั้น—แสดงจำนวนนับตั้งแต่มีการสอบเทียบล่าสุด
Calibration history (ประวัติการสอบเทียบ)	สำหรับเซ็นเซอร์ที่เชื่อมต่อกับโมดูล pH/ORP เท่านั้น—แสดงความถี่ในการสอบเทียบและวันที่ที่สอบเทียบครั้งก่อน สำหรับเซ็นเซอร์ที่เชื่อมต่อกับเกตเวย์ดิจิทัล SC—แสดงความถี่ในการสอบเทียบและวันที่ที่สอบเทียบครั้งล่าสุด
Reset calibration history (ประวัติการสอบเทียบ)	สำหรับเซ็นเซอร์ที่เชื่อมต่อกับโมดูล pH/ORP เท่านั้น—สำหรับการรีเซ็ตค่าเท่านั้น
Impedance status (สถานะความต้านทานไฟฟ้า)	สำหรับเซ็นเซอร์ pH เท่านั้น—โปรดอ้างอิง การวัดค่าความต้านทานไฟฟ้า ในหน้า 156
Sensor signals (ซีเรียลนัมเบอร์เซ็นเซอร์) (หรือ Signals (สัญญาณ))	สำหรับเซ็นเซอร์ pH ที่เชื่อมต่อกับโมดูล pH/ORP เท่านั้น—แสดงค่ากระแสเป็น mV สำหรับเซ็นเซอร์ pH ที่เชื่อมต่อกับเกตเวย์ดิจิทัล SC—แสดงค่ากระแสเป็น mV และค่านับตัวแปลงอะนาล็อกเป็นดิจิทัล ถ้าตั้ง Impedance status (สถานะความต้านทานไฟฟ้า) ให้เป็น Enabled (เปิดใช้งาน), แสดงความต้านทานไฟฟ้าของอิเล็กโทรดที่ทำงานอยู่และที่อ้างอิง
Sensor days (วันเซ็นเซอร์) (หรือ Counter (ตัวนับ))	สำหรับเซ็นเซอร์ที่เชื่อมต่อกับโมดูล pH/ORP—แสดงจำนวนวันที่ใช้งานเซ็นเซอร์ สำหรับเซ็นเซอร์ที่เชื่อมต่อกับเกตเวย์ดิจิทัล SC—แสดงจำนวนวันที่ใช้งานเซ็นเซอร์และอิเล็กโทรด ตัวนับ Electrode days (วันอิเล็กโทรด) จะถูกรีเซ็ตเป็นศูนย์เมื่อไฟร์แวร์ตรวจพบว่าอิเล็กโทรดที่ชำรุดถูกเปลี่ยนแทนที่ด้วยอิเล็กโทรดที่ทำงานอย่างถูกต้อง ในการรีเซ็ตตัวนับ Sensor days (วันเซ็นเซอร์) ให้เป็นศูนย์ ให้เลือก Reset (รีเซ็ต) รีเซ็ตตัวนับ Sensor days (วันเซ็นเซอร์) เมื่อเปลี่ยนเซ็นเซอร์ (หรือสะพานเกลือ)

7.5 รายการข้อผิดพลาด

เมื่อเกิดข้อผิดพลาด ค่าที่อ่านได้ในหน้าจากรวัดจะกะพริบและเอาต์พุตทั้งหมดจะคงการแสดงผลไว้เมื่อกำหนดในเมนู **Controller** (ตัวควบคุม) > **Outputs** (เอาต์พุต) หน้าจอจะเปลี่ยนเป็นสีแดง แถบการวินิจฉัยจะแสดงข้อผิดพลาด กดที่แถบการวินิจฉัยเพื่อแสดงข้อผิดพลาดและการแจ้งเตือน หรือกดไอคอนเมนูหลักแล้วเลือก **Notifications** (การแจ้งเตือน) > **Errors** (ข้อผิดพลาด)

A list of possible errors is shown in ตาราง 5.

ตาราง 5 รายการข้อผิดพลาด

ข้อผิดพลาด	คำอธิบาย	Resolution (ความละเอียด)
pH value is too high! (ค่า pH สูงเกินไป!)	pH ที่ตรวจวัดได้ > 14.	สอบเทียบหรือเปลี่ยนเซ็นเซอร์ใหม่
ORP value is too high! (ค่า ORP สูงเกินไป!)	ค่า ORP ที่วัดได้คือ > 2100 mV	
pH value is too low! (ค่า pH ต่ำเกินไป!)	pH ที่ตรวจวัดได้ < 0.	สอบเทียบหรือเปลี่ยนเซ็นเซอร์ใหม่
ORP value is too low! (ค่า ORP ต่ำเกินไป!)	ค่า ORP ที่ตรวจวัดได้ < -2100 mV.	
Offset value is too high. (ค่าออฟเซตสูงเกินไป)	ค่าออฟเซต > 9 (pH) หรือ 200 mV (ORP).	ทำความสะอาดในการดูแลรักษาเซ็นเซอร์ จากนั้นทำการสอบเทียบใหม่ หรือเปลี่ยนเซ็นเซอร์
Offset value is too low. (ค่าออฟเซตต่ำเกินไป)	ค่าออฟเซต < 5 (pH) หรือ -200 mV (ORP)	
Slope is too high. (ความชันต่ำเกินไป)	ค่าความชัน > 62 (pH)/1.3 (ORP).	ทำการปรับเทียบใหม่โดยใช้น้ำฟอสเฟตหรือตัวอย่างใหม่ หรือเปลี่ยนเซ็นเซอร์
Slope is too low. (ความชันสูงเกินไป)	ความชัน < 50 (pH)/0.7 (ORP).	ทำความสะอาดเซ็นเซอร์ ทำการสอบเทียบใหม่หรือเปลี่ยนเซ็นเซอร์
Temperature is too high! (อุณหภูมิสูงเกินไป!)	อุณหภูมิที่วัดได้คือ > 130°C.	ตรวจสอบว่าเลือกเซลล์อุณหภูมิได้ถูกต้อง
Temperature is too low! (อุณหภูมิต่ำเกินไป!)	อุณหภูมิที่วัดได้ < -10 °C	
The difference between the buffers is too small! (ความแตกต่างระหว่างบัฟเฟอร์น้อยเกินไป!)	บัฟเฟอร์สำหรับการแก้ไขอัตโนมัติ 2 จุดมีค่าเท่ากัน	Complete the steps in ทดสอบเซ็นเซอร์ pH ในหน้า 160.
Sensor is missing. (เซ็นเซอร์ขาดหาย)	ไม่มีเซ็นเซอร์หรือไม่ได้ต่ออยู่	ตรวจสอบสายต่อและการเชื่อมต่อต่าง ๆ ของเซ็นเซอร์และโมดูล (หรือเกตเวย์ดิจิทัล)
Temperature sensor is missing! (ไม่มีเซ็นเซอร์อุณหภูมิ)	ไม่มีเซ็นเซอร์อุณหภูมิ	ตรวจสอบสายต่อสำหรับเซ็นเซอร์วัดอุณหภูมิ ตรวจสอบว่าเลือกเซลล์อุณหภูมิได้ถูกต้อง
Glass impedance is too low. (ความต้านทานไฟฟ้าของแก้วต่ำเกินไป)	หลอดไฟชำรุดหรือหมดอายุการใช้งาน	เปลี่ยนเซ็นเซอร์ ติดต่อฝ่ายให้บริการทางเทคนิค

7.6 รายการแจ้งเตือน

คำเตือนจะไม่ส่งผลการใช้เมนู รีเซ็ตและสัญญาณขาออกต่าง ๆ หน้าที่จะเปลี่ยนเป็นสีอำพัน แถบการวินิจฉัยจะแสดงคำเตือน กดที่แถบการวินิจฉัยเพื่อแสดงข้อผิดพลาดและการแจ้งเตือน หรือคลิกไอคอนเมนูหลักแล้วเลือก **Notifications (การแจ้งเตือน) > Warnings (คำเตือน)**

A list of possible warnings is shown in ตาราง 6.

ตาราง 6 รายการแจ้งเตือน

เหตุการณ์	คำอธิบาย	Resolution (ความละเอียด)
pH is too high. (pH สูงเกินไป)	pH ที่ตรวจวัดได้ > 13.	สอบเทียบหรือเปลี่ยนเซ็นเซอร์ใหม่
ORP value is too high. (ค่า ORP สูงเกินไป)	ค่า ORP ที่วัดได้ > 2100 mV.	
pH is too low. (pH ต่ำเกินไป)	pH ที่ตรวจวัดได้ < 1.	สอบเทียบหรือเปลี่ยนเซ็นเซอร์ใหม่
ORP value is too low. (ค่า ORP ต่ำเกินไป)	ค่า ORP ที่ตรวจวัดได้ < -2100 mV.	
Offset value is too high. (ค่าออฟเซตสูงเกินไป)	ค่าออฟเซต > 8 (pH) หรือ 200 mV (ORP).	ทำตามขั้นตอนการดูแลรักษาสำหรับเซ็นเซอร์และทำการสอบเทียบใหม่
Offset value is too low. (ค่าออฟเซตต่ำเกินไป)	ค่าออฟเซต < 6 (pH) หรือ -200 mV (ORP).	
Slope is too high. (ความชันต่ำเกินไป)	ความชัน > 60 (pH)/1.3 (ORP).	ทำการสอบเทียบใหม่โดยใช้ฟิเฟอร์หรือตัวอย่างใหม่
Slope is too low. (ความชันสูงเกินไป)	ความชัน < 54 (pH)/0.7 (ORP).	ทำความสะอาดเซ็นเซอร์ จากนั้นทำการสอบเทียบใหม่
Temperature is too high. (อุณหภูมิสูงเกินไป)	อุณหภูมิที่วัดได้คือ > 100°C.	ตรวจสอบว่าใช้เซลล์วัดอุณหภูมิอยู่หรือไม่
Temperature is too low. (อุณหภูมิต่ำเกินไป)	อุณหภูมิที่ตรวจวัดได้ < 0 °C.	
Temperature is out of range. (อุณหภูมิอยู่นอกช่วง)	อุณหภูมิที่วัดได้คือ > 100°C หรือ < 0 °C	
Calibration is overdue. (เกินกำหนดการสอบเทียบ)	เกินกำหนดเวลาแจ้งเตือนการสอบเทียบ	ปรับเทียบเซ็นเซอร์
The device is not calibrated. (อุปกรณ์ไม่ได้สอบเทียบ)	ยังไม่ได้สอบเทียบเซ็นเซอร์	สอบเทียบเซ็นเซอร์
Replace a sensor. (เปลี่ยนเซ็นเซอร์)	ตัวนับ Sensor days (วันเซ็นเซอร์) นั้นเป็นมากกว่าช่วงเวลาที่คุณเลือกเพื่อเปลี่ยนเซ็นเซอร์ โปรดดูที่ กำหนดค่าเซ็นเซอร์ ในหน้า 149.	เปลี่ยนเซ็นเซอร์ (หรือสะพานเกลือ) รีเซ็ตตัวนับ Sensor days (วันเซ็นเซอร์) บนเมนู Diagnostics/Test (การวินิจฉัย/การทดสอบ) > Reset (รีเซ็ต) (หรือเมนู Diagnostics/Test (การวินิจฉัย/การทดสอบ) > Counter (ตัวนับ)
Calibration is in progress... (กำลังทำการสอบเทียบ...)	เริ่มการสอบเทียบแล้วแต่ยังไม่เสร็จสิ้น	กลับสู่การสอบเทียบ
Temperature is not calibrated. (ไม่ได้สอบเทียบอุณหภูมิ)	ไม่ได้สอบเทียบเซ็นเซอร์อุณหภูมิ	ทำการสอบเทียบซ้ำคร่าว



HACH COMPANY World Headquarters

P.O. Box 389, Loveland, CO 80539-0389 U.S.A.
Tel. (970) 669-3050
(800) 227-4224 (U.S.A. only)
Fax (970) 669-2932
orders@hach.com
www.hach.com

HACH LANGE GMBH

Willstätterstraße 11
D-40549 Düsseldorf, Germany
Tel. +49 (0) 2 11 52 88-320
Fax +49 (0) 2 11 52 88-210
info-de@hach.com
www.de.hach.com

HACH LANGE Sàrl

6, route de Compois
1222 Vézenaz
SWITZERLAND
Tel. +41 22 594 6400
Fax +41 22 594 6499