

# Eclipse #9700

## Portable Automatic Flushing Device



*For non-freezing temps only!*

- Attached to any 2.5" NST Nozzle
- Maintains Consistently Safe Residuals
- Remove stagnant water before DBPs Form
- Flush at night when demand is low
- Adjustable flow rates up to 200GPM
- Valve rated up to 220 PSI
- Powder-coated aluminum enclosure
- Swivel collar lock
- EPA approved for water conservation
- Approved for GPR funding
- Available in red or yellow

### Sizes Available

2" Valve: flows of approximately 200 GPM

1" Valve: flows of approximately 60 GPM

### Controllers Options

- Handheld Digital Controller

- Bluetooth Controller

Ask about  
our 30-Day  
Pilot Program

Patented  
# 6,820,635  
# 6,048,512

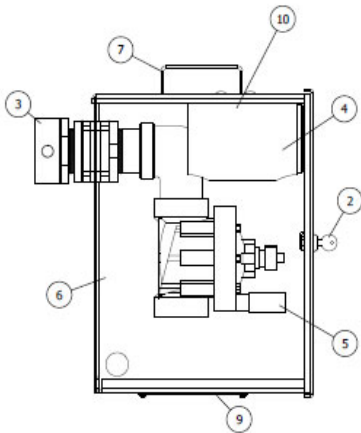
2511 North 9<sup>th</sup> Street / St. Louis, MO 63102

800-231-3990 / [www.hydrants.com](http://www.hydrants.com) / 314-231-2820 fax

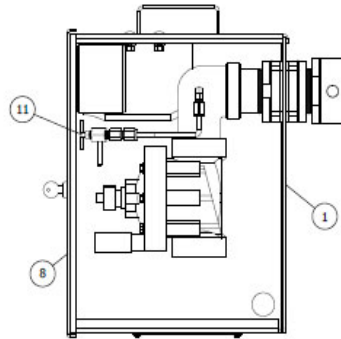


# Eclipse #9700

## #9700 PORTABLE AUTOMATIC FLUSHING DEVICE SPEC SHEET

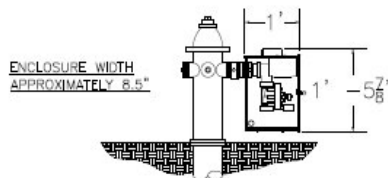


1 STANDARD FLUSHER  
Scale: 1-1/2"=1'-0"

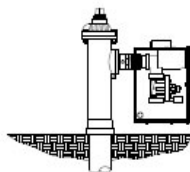


2 FLUSHER WITH SAMPLING  
Scale: 1-1/2"=1'-0"

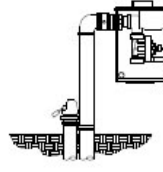
ITEM	ITEM / DESCRIPTION	NOTES
1	POWDER COATED ALUMINUM ENCLOSURE	
2	KEY & LOCK	
3	2-1/2" NST BRASS SWIVEL	
4	VALVE CONTROLLER	
5	DC LATCHING SOLENOID	
6	2" ICV VALVE	
7	HANDLE	
8	ACCESS DOOR	
9	REMOVABLE PLATE	
10	STANDARD CONTROLLER HOLDER	
11	SAMPLING VALVE	OPTIONAL
12	WATER DIFFUSER FLOOR	NOT SHOWN



A FIRE HYDRANT  
Scale: 3/8"=1'-0"



B #2 POST HYDRANT  
Scale: 3/8"=1'-0"



C #77 BLOW-OFF  
Scale: 3/8"=1'-0"

A 2-1/2" NST swivel connection shall lead into a 2" automatic flushing valve. The automatic flushing valve shall control the flow of water through the hydrant and its diaphragm with the extension and retraction of a DC latching solenoid and have a 220 PSI rating. Each unit shall be furnished with a stand-alone valve controller. The valve controller will not require a second hand-held device for programming. Controller must have minimum of 12 possible flushing cycles per day. Controller shall be submersible to 12 feet, operate with a 9 volt battery, and have resin-sealed electrical components. The solenoid shall have no loose parts when removed from the valve.

All components shall be housed in a lockable powder coated (Specify RED or YELLOW upon ordering) aluminum enclosure, with 3/4" perforations in the floor to diffuse discharged water.

A removable floor plate shall allow access to a 2" FIP outlet as needed.

Optional collar lock shall cover the 2-1/2" swivel to prevent any tampering with or removal of the device.

Optional directional diffuser shall be available to be installed via the removable access plate to allow controlled directional flow of discharged water.

Optional dechlorination tablet holder shall sit inside of the enclosure in the path of the discharged water.

Unit model # shall be 9700 as manufactured by Kupferle Foundry Company, St. Louis MO, or approved equal.

#9700 AUTOMATIC FLUSHING DEVICE TO BE INSTALLED AT THE FOLLOWING LOCATIONS:

\_\_\_\_\_

\_\_\_\_\_

\_\_\_\_\_

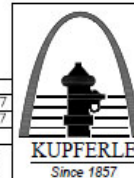
DD/MM/YY	ISSUED FOR REFERENCE
DATE	STATUS / REVISION

PATENTED

9700 AUTOMATIC FLUSHER SPEC SHEET

	INITIALS	DATE
DRAWN	SMS	08/28/17
APPROVED	DCL	11/10/17
MODIFIED		

SCALE VARIES



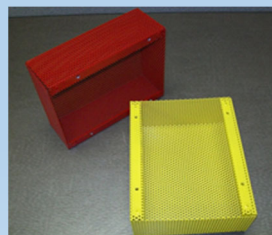
2511 NORTH 9TH STREET  
ST. LOUIS, MO 63102  
1-800-231-3990  
FAX 314-231-2820  
www.hydrants.com

SHEET 1 OF 1

## Optional Accessories:



Sampling Point Bib



Dechlorination Basket



Directional Diverter



Meter Stand

2511 North 9<sup>th</sup> Street / St. Louis, MO 63102

800-231-3990 / [www.hydrants.com](http://www.hydrants.com) / 314-231-2820 fax

# PATENTED

# 9700 CUT SHEET

PARTS LIST				
ITEM	QTY	PART NUMBER	DESCRIPTION	NOTES
1	0.50	4PVC	CONTROLLER HOLDER	
2	4	77Q	HEX NUT FOR FLANGE MOUNT	
3	1	79B	2" S.S. COUPLING	
4	1	290SSL	2" S.S. STREET ELBOW	
5	2	9400A-38	BOLT FOR CONTROLLER HOLDER	
7	1	9434	CONTROLLER COVER BUTTON	C
6	1	9433	SOLENOID COVER	A
8	1	9440-PL	HDPE MOUNTING FLANGE	
9	2	9458	1/4 S.S. LOCK WASHER	
10	4	9461	3/8" S.S. LOCK WASHER	
11	1	9515	2" ICV VALVE	C
12	1	9517	VALVE CONTROLLER	C
13	2	9518	9 VOLT BATTERY	A
14	1	9701-R	ENCLOSURE (RED)	
15	1	9702	CAM LOCK W/ KEY	C
16	1	9703	2-1/2" NST X 2" NPT BRASS SWIVEL	C
17	1	9703-G	GASKET FOR SWIVEL COUPLING	C
18	1	9704	SCREW FOR PLATE	C
19	1	9705	NUT FOR PLATE	
20	4	9706	CARRIAGE BOLT FOR FLANGE MOUNT	
21	4	9707	FLAT WASHER	
22	1	9708-R	COLLAR LOCK FOR SWIVEL (RED)	C
23	1	9711	2" S.S. PIPE THREADED	
24	1	9715	SWIVEL DEBRIS SCREEN	C
25	1	HV458200	DC LATCHING SOLENOID	

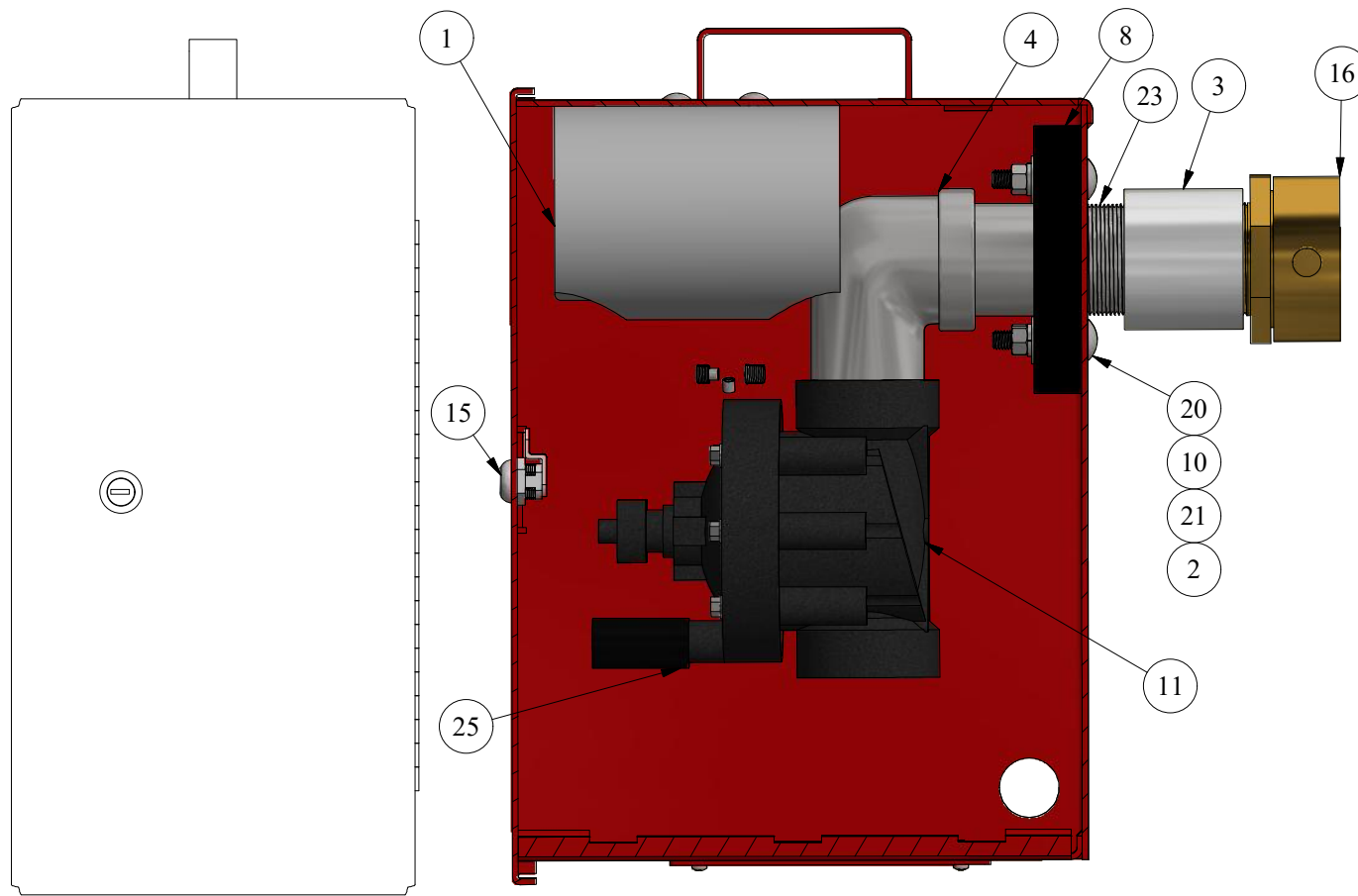
OPTIONAL/REPAIR PARTS ONLY				
26	0	66S01	PETCOCK BODY	
27	0	66S02	PETCOCK NUT	
28	0	66S03	PETCOCK PLUNGER	
29	0	66S04	PETCOCK ROD PIN	
30	0	66S05	PETCOCK NOZZLE	
31	0	66S08	O-RING (PETCOCK NUT)	
32	0	66S10	O-RING (PETCOCK PLUNGER)	
33	0	66S22	PETCOCK CAP	A
34	0	66S33	1/4" COMP. x 1/8" FIP ADAPTER	
35	0	88-7-SS	1/4" S.S. TUBING	
36	0	88-8-SS	1/4" COMP. x 1/8" MIP ELBOW	
37	0	9519	TORO SOLENOID	C
38	0	9700-Y	9700 ENCLOSURE (YELLOW)	S
39	0	9702-K	KEY ONLY FOR 9700 LOCK	A,C
40	0	9708-Y	COLLAR LOCK FOR SWIVEL (YELLOW)	C,S

ICV PARTS LIST (6 BOLTS)				
41	*	HV365400	9515 VALVE SPRING	C
42	*	HV365500	9515 VALVE BODY	C
43	*	HV365900	9515 DIAPHRAGM SUPPORT	C
44	*	HV366700	9515 BONNET BOLT	C
45	*	HV371600	9515 E-CLIP RETAINER	C
46	*	HV374500	9515 DIAPHRAGM ASSEMBLY	C
47	*	HV380600	9515 BONNET	
48	*	HV412700	9515 FLOW CONTROL HANDLE	C
49	*	HV560800	9515 FLOW CONTROL ASSEMBLY	C

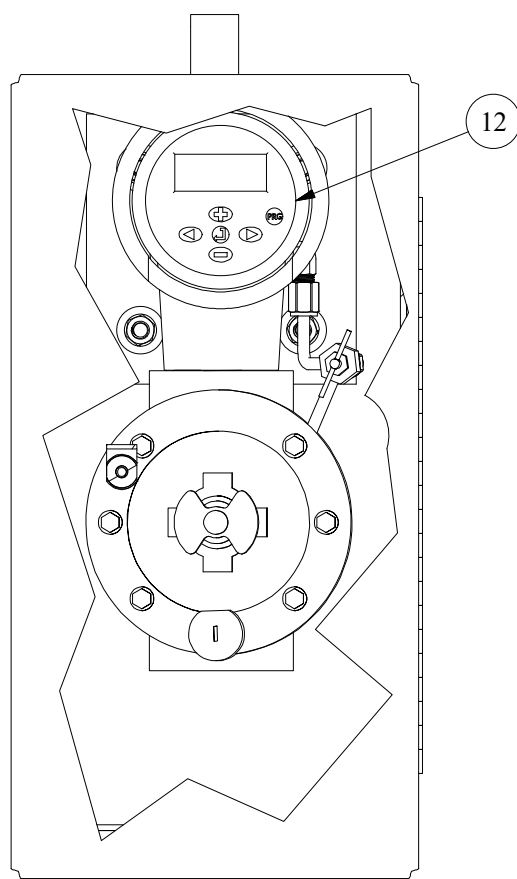
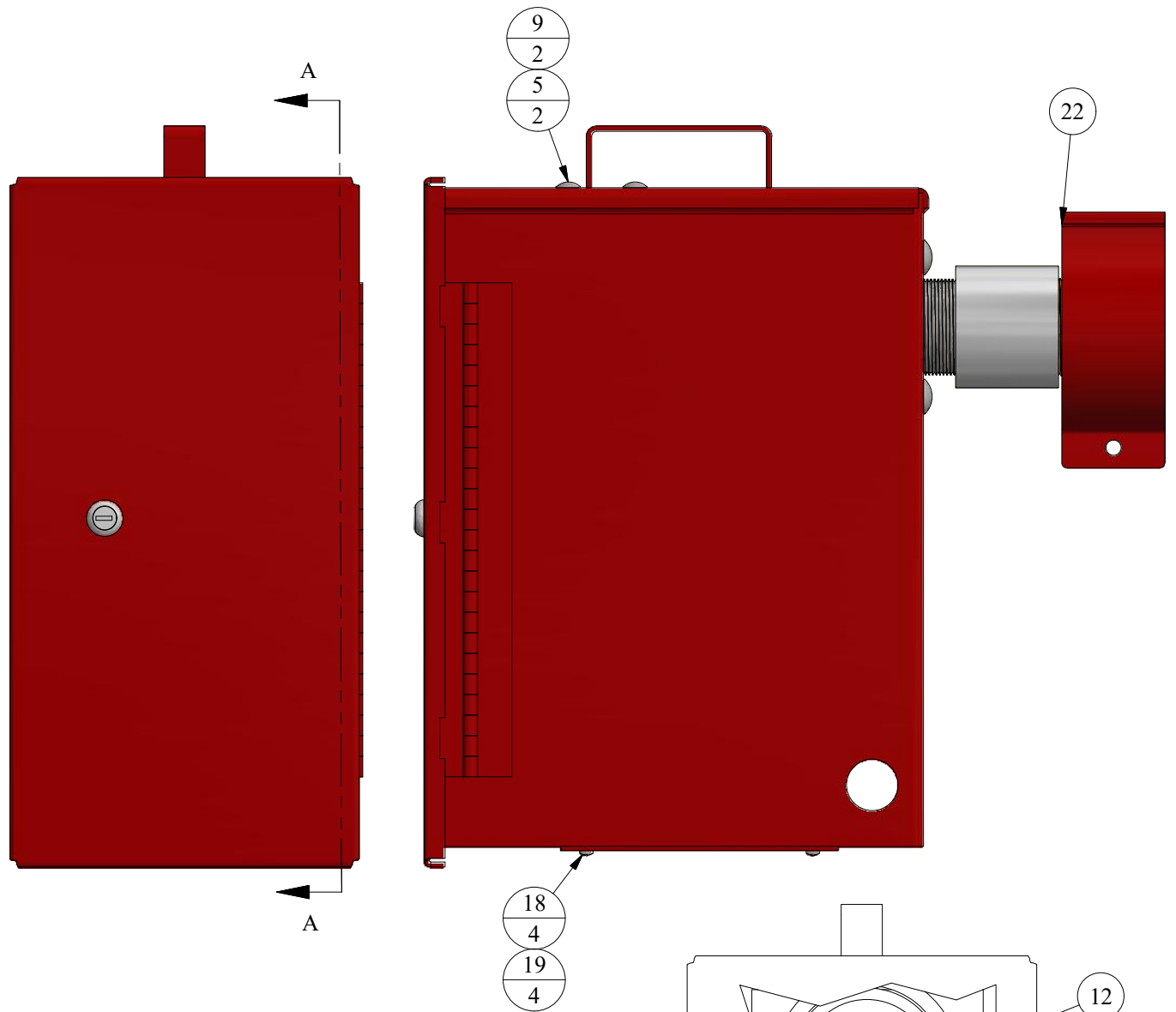
PGV REPAIR PARTS LIST (12 BOLTS)				
50	*	HV414200	9516 VALVE SPRING	C
51	*	HV414600	9516 FLOW CONTROL ASSEMBLY	C
52	*	HV414800	9516 DIAPHRAGM SUPPORT	C
53	*	HV415400	9516 VALVE PLUG O-RING	C
54	*	HV415500	9516 BONNET	
55	*	HV415600	9516 DIAPHRAGM ASSEMBLY	C
56	*	HV419300	9516 BODY PLUG	C
57	*	HV433300	9516 VALVE BODY	C
58	*	HV472800	9516 BONNET SCREW	C
60	*	HV561200	9516 FLOW CONTROL KNOB	C
61	*	HV561500	9515/9516 BLEED SCREW ASSEMBLY	C

OPTIONAL & REPAIR KITS		
PART NUMBER	DESCRIPTION	PARTS INCLUDED
X380600	9515 ICV BONNET COMPLETE	HV380600 BONNET (1), HV561200 KNOB (1), HV561500 BLEED SCREW (1), HV371600 E-CLIP (1), HV560800 FLOW CONTROL (1)
X415500	9516 BONNET COMPLETE	HV415500 BONNET (1), HV412700 KNOB (1), HV561500 BLEED SCREW (1), HV414600 FLOW CONTROL (1)
X66-PETCOCK	STAINLESS STEEL PETCOCK ASSEMBLY	66S01 BODY (1), 66S08 O-RING (1), 66S02 NUT (1), 66S03 PLUNGER (1), 66S10 O-RING (1), 66S04 PIN (1), 66S05 NOZZLE (1), 66S22 CAP (1)
X9517	CONTROLLER WITH BATTERY	9517 CONTROLLER (1), 9518 BATTERY (2), 9434 COVER (1), HV458200 SOLENOID (1)
X9700-RED	ALUMINUM BOX RED	9701-R BOX (1), 9702 LOCK AND KEY (1), 9704 SCREW FOR PLATE (4), 9705 NUT FOR PLATE (4)
X9700-YELLOW	ALUMINUM BOX YELLOW	9701-Y BOX (1), 9702 LOCK AND KEY (1), 9704 SCREW FOR PLATE (4), 9705 NUT FOR PLATE (4)
X9709	DECHLORINATION DIFFUSER COMPLETE	9710 PLATE (1), 9717 RIVET (12)
X9713	WATER DIVERTER (SPECIFY COLOR)	9713 WATER DIVERTER (1), 9722 WATER DIVERTER BRACE (1), 9722-W WASHER, 9723 BOLT FOR DIVERTER BRACE (1), 2SSP S.S. NIPPLE (0.5')
Z9785	CONVERSION KIT	9517 CONTROLLER (1), 9518 BATTERY (1), 9417 BUTT SPLICE (2), 9418 HEAT SHRINK TUBING (0.25), 9434 CONTROLLER COVER (1), 9445 HEAT SHRINK TUBING (0.25), 9519 SOLENOID (1)
Z9700-BLUETOOTH	BLUETOOTH CONVERSION KIT	9530 BLUETOOTH CONTROLLER (1), HV458200 SOLENOID (1) (PRECONNECTED), 9531 BATTERY FOR BLUETOOTH (2)

NOTE	DESCRIPTION
A	NOT SHOWN
C	SOLD AS REPLACEMENT PART
S	SPECIFY COLOR ON ORDER

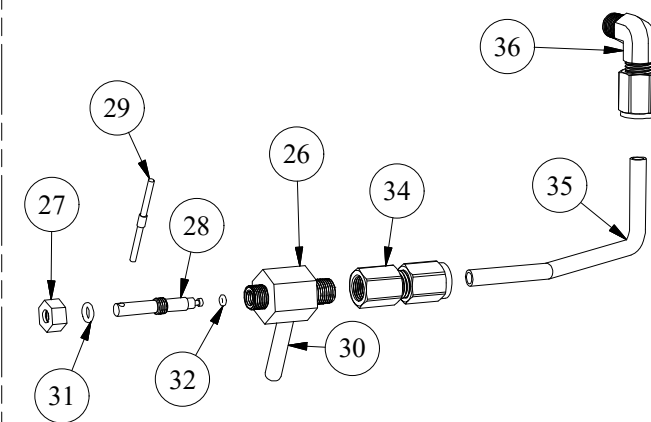


SECTION A-A  
SCALE 1 / 4

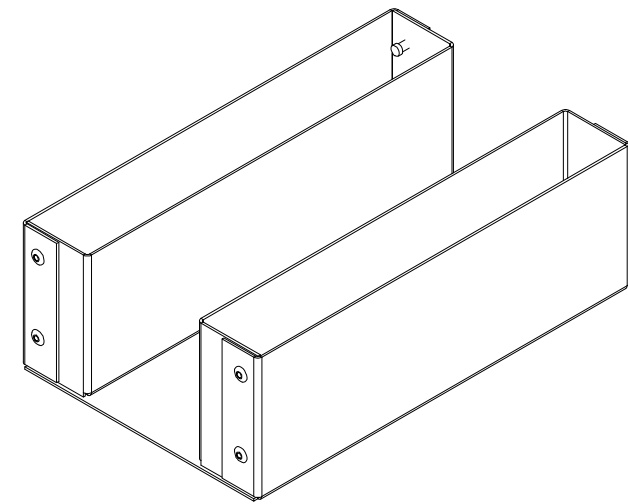


9700 WITH OPTIONAL SAMPLING POINT

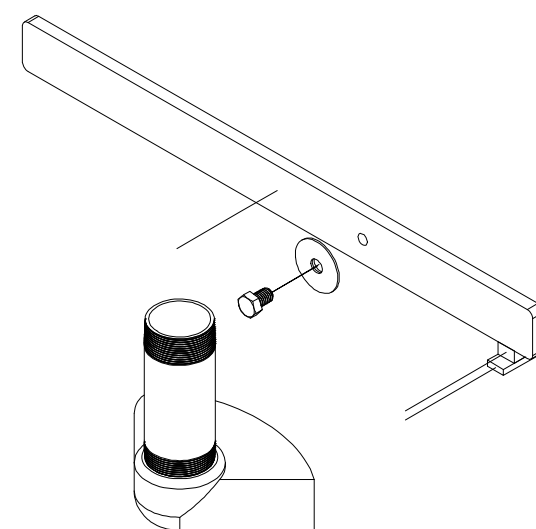
## OPTIONAL SAMPLING POINT



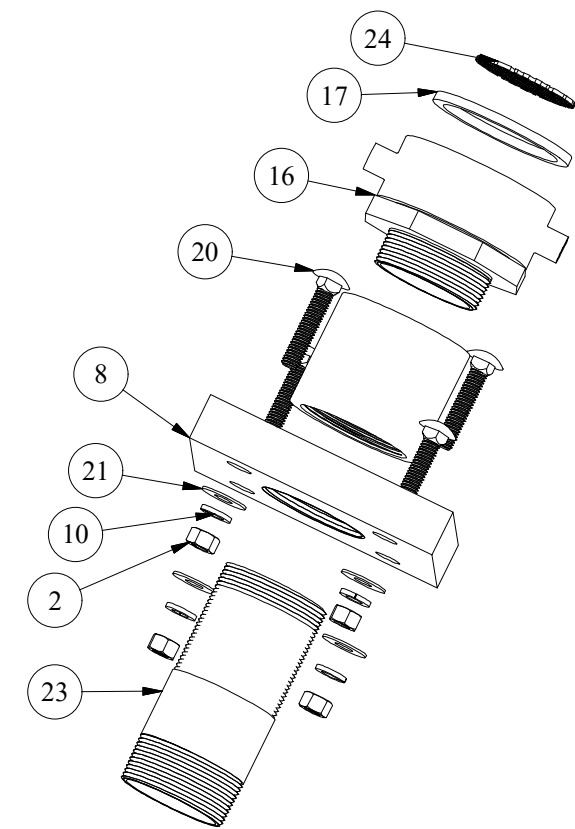
## OPTIONAL X9709



## OPTIONAL X9713 DIVERTER KIT



## INLET ASSEMBLY



## LEGEND

- (X) → STANDARD TAG
- (X/Y) → TAG WITH Y QUANTITY

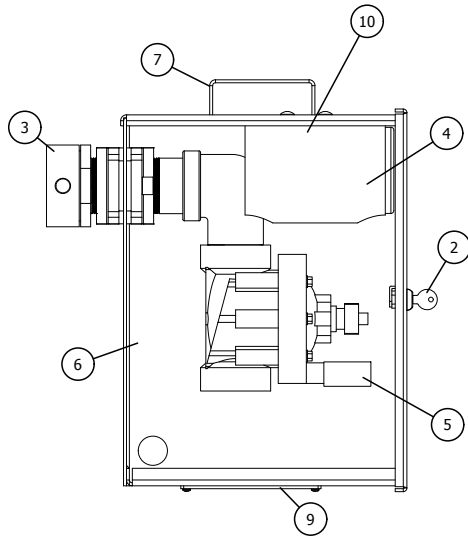
**DISCLAIMER**  
THIS DRAWING IS THE PROPERTY OF THE KUPFERLE FOUNDRY COMPANY. IT IS NOT TO BE USED OR DUPLICATED WITHOUT THE PERMISSION OF THE OWNER

DRAWN	8/18/2017
SMS CHECKED	
DCL	3/26/2018
MODIFIED	
KJW	02/07/2023
SIZE	SCALE
C	1 / 4
DWG NO	#9700

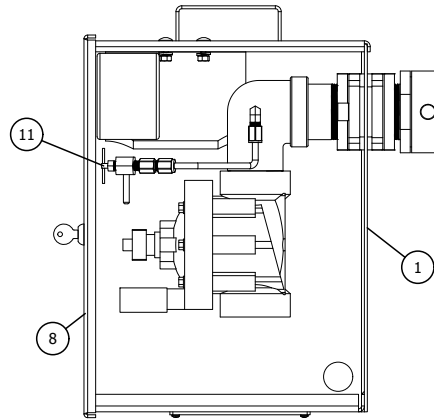


SHEET	REV
1 OF 1	3.6

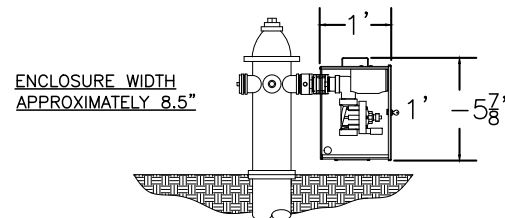
# #9700 PORTABLE AUTOMATIC FLUSHING DEVICE SPEC SHEET



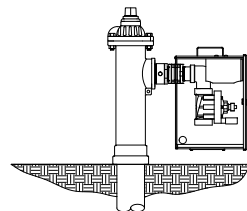
**1 STANDARD FLUSHER**  
Scale: 1-1/2"=1'-0"



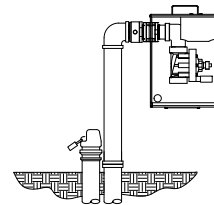
**2 FLUSHER WITH SAMPLING**  
Scale: 1-1/2"=1'-0"



**A FIRE HYDRANT**  
Scale: 3/8"=1'-0"



**B #2 POST HYDRANT**  
Scale: 3/8"=1'-0"



**C #77 BLOW-OFF**  
Scale: 3/8"=1'-0"

A 2-1/2" NST swivel connection shall lead into a 2" automatic flushing valve. The automatic flushing valve shall control the flow of water through the hydrant and its diaphragm with the extension and retraction of a DC latching solenoid and have a 220 PSI rating. Each unit shall be furnished with a stand-alone valve controller. The valve controller will not require a second hand-held device for programming. Controller must have minimum of 12 possible flushing cycles per day. Controller shall be submersible to 12 feet, operate with a 9 volt battery, and have resin-sealed electrical components. The solenoid shall have no loose parts when removed from the valve.

All components shall be housed in a lockable powder coated (Specify RED or YELLOW upon ordering) aluminum enclosure, with 3/4" perforations in the floor to diffuse discharged water.

A removable floor plate shall allow access to a 2" FIP outlet as needed.

Optional collar lock shall cover the 2-1/2" swivel to prevent any tampering with or removal of the device.

Optional directional diffuser shall be available be able to be installed via the removable access plate to allow controlled directional flow of discharged water.

Optional dechlorination tablet holder shall sit inside of the enclosure in the path of the discharged water.

Unit model # shall be 9700 as manufactured by Kupferle Foundry Compay, St. Louis MO, or approved equal.

ITEM	ITEM / DESCRIPTION	NOTES
1	POWDER COATED ALUMINUM ENCLOSURE	
2	KEY & LOCK	
3	2-1/2" NST BRASS SWIVEL	
4	VALVE CONTROLLER	
5	DC LATCHING SOLENOID	
6	2" ICV VALVE	
7	HANDLE	
8	ACCESS DOOR	
9	REMOVABLE PLATE	
10	STANDARD CONTROLLER HOLDER	
11	SAMPLING VALVE	OPTIONAL
12	WATER DIFFUSER FLOOR	NOT SHOWN

#9700 AUTOMATIC FLUSHING DEVICE TO BE INSTALLED AT THE FOLLOWING LOCATIONS:

---



---



---

DD/MM/YY	ISSUED FOR REFERENCE
DATE	STATUS / REVISION

PATENTED

9700 AUTOMATIC FLUSHER SPEC SHEET

	INITIALS	DATE
DRAWN	SMS	08/28/17
APPROVED	DCL	11/10/17
MODIFIED		

SCALE VARIES



2511 NORTH 9TH STREET  
ST. LOUIS, MO 63102  
1-800-231-3990  
FAX 314-231-2820  
www.hydrants.com