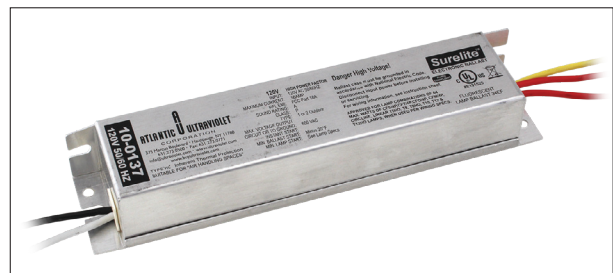


Specifications

Model Number: 10-0137
Input Voltage: 120v AC
Frequency: 50/60 Hz.
Lamp Types: See Chart On Next Page
Certifications: UL #E191525
Size: 6.5" x 1.5" x 1.0"
Weight: 10 oz.
Mounting: Slotted Mounting Tabs



1. Ground case in accordance with the National Electric Code.
2. Remote mounting distance varies with lamp type; consult factory with requirements.
3. When connecting two RED wires, they must be joined to make one wire before connecting to the lampholder.
4. For miniature bipin lamps as well as medium bipin lamps, add jumper between socket contacts, of the lampholder, before connecting the RED and YELLOW wires. (See over)



10-0137
120V 50/60 HZ

ATLANTIC ULTRAVIOLET CORPORATION
 375 Marcus Boulevard • Hauppauge, NY 11788
 (631) 273-0500 • Fax: (631) 273-0771
 Sales@AtlanticUV.com • Ultraviolet.com
 BuyUltraviolet.com
 TYPE "HL" APPROVED
 SUITABLE FOR "AIR HANDLING SPACES"
Danger High Voltage! High Power Factor

WARNING: Install in accordance with the national and local electrical code. Disconnect power before servicing. Ballast must be grounded. ⚠

ATTENTION: L'installation doit être conforme aux normes du code national électrique. Débranchez l'alimentation avant l'entretien. Le ballast doit être mis à la terre.

INPUT: 120VAC, 50/60Hz
MAXIMUM CURRENT: 0.56A
RFI, EMI: FCC Part 18A
SOUND RATING: A
CLASS: P
TYPE: 1 or 2 Outdoor
MAX. VOLTAGE OUTPUT: 600VAC
CIRCUIT OR TO GROUND: INSTANT START:
MIN. BALLAST START: Minus 20°F
MIN. LAMP START: See Lamp Specs

Tc: 70°C max.

APPROVED FOR LAMP COMBINATIONS OF 64 MAX. WATTS OF CFS/4P, CFT/4P, CFQ/4P, CFM/4P, CIRCLINE, LINEAR T5HO, T8, T8HO, T10, T12 & T12HO LAMPS, WHEN USED PER WIRING SPECS

Visit ultraviolet.com/wiringdiagrams/ for instructions and wiring-diagram.

Surelite™
ELECTRONIC BALLAST
Inherent Thermal Protection

Scan QR code to be directed to wiring-diagram

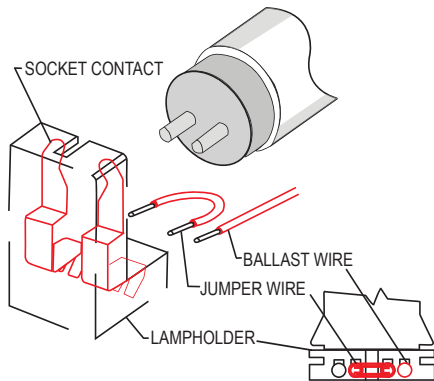
UL US
#E191525
FLUORESCENT LAMP BALLAST 34EF
RoHS COMPLIANT

The information and recommendations contained in this publication are based upon data collected by the Atlantic Ultraviolet Corporation® and are believed to be correct. However, no guarantee or warranty of any kind, expressed or implied, is made with respect to the information contained herein. Specifications and information are subject to change without notice.

Lamp Types

Lamp Types	Wiring Diagram
MIGHTY★PURE® MP16A, SANITRON® S17A Lamp Part No. 05-1098-R	1
MIGHTY★PURE® MP22A, SANITRON® S23A Lamp Part No. 05-1097-R	1
MIGHTY★PURE® MP36C, SANITRON® S37C Lamp Part No. 05-1343-R	2
MIGHTY★PURE® MP49C, SANITRON® S50C Lamp Part No. 05-1334-R	2
G12–G48T5	2
GPH212–GPH1148T5	1

This ballast may be acceptable for use with lamps not listed here. Contact us to discuss your requirement.

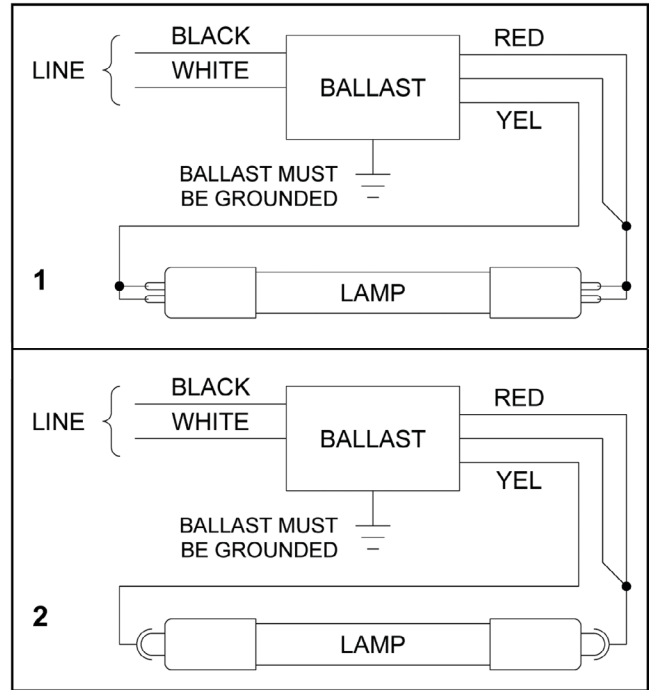


NOTE: For 4-Pin Single Ended Lamps, See Wiring Diagram Below.

Wiring Jumper Detail

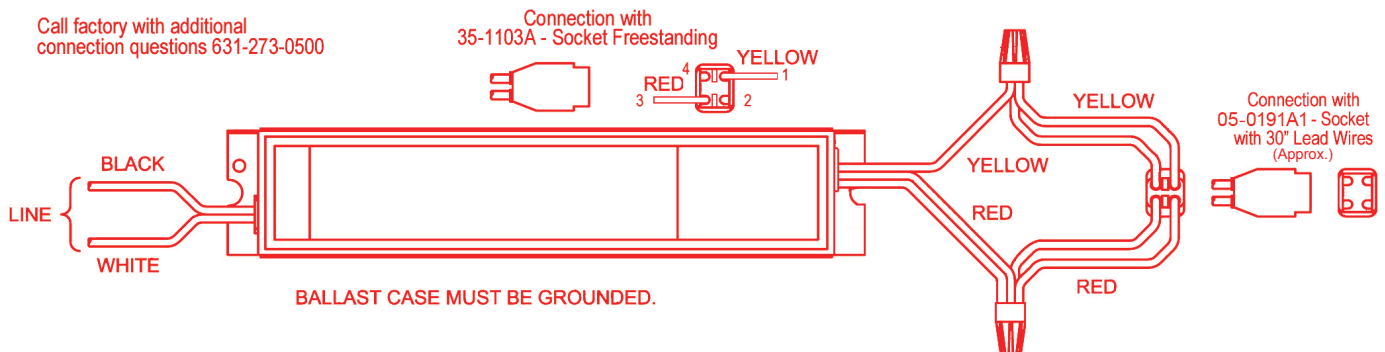
For Miniature Bipin and Medium Bipin Lamps, add jumper between socket contacts of the lampholder before connecting the RED and YELLOW wires.

Wiring Diagrams



Connections

4-Pin Wiring Diagram (Single Ended)



Typical Instant Start Ballast Connections for Preheat Lamps

The information and recommendations contained in this publication are based upon data collected by the Atlantic Ultraviolet Corporation® and are believed to be correct. However, no guarantee or warranty of any kind, expressed or implied, is made with respect to the information contained herein. Specifications and information are subject to change without notice.