

INDIAN SPRINGS MULTIPURPOSE TANK-CAR KIT

INDIAN SPRINGS ERK

THE ERK IS DESIGNED TO CONTAIN LEAKS ON A VARIETY OF TANK-CARS, TRUCKS AND TANKS, INCLUDING CHLORINE.
with Patented Clamping Jaw Technology



FEATURES:

- 1 ONE PIECE ADJUSTABLE, ALUMINUM YOKE ASSEMBLY
- 2 YOKE ASSEMBLY OPENS TO A SPAN OF 38"
- 3 YOKE ASSEMBLY DOES NOT REQUIRE PORT HOLE OPENINGS FOR ATTACHMENT
- 4 YOKE ASSEMBLY CAN BE PLACED ANYWHERE ALONG HOUSING RING
- 5 NO "BRIDGE YOKE" NEEDED TO CONTAIN SAMPLING VALVE AND THERMOWELL
- 6 **PATENTED** CLAMPING JAWS
- 7 3 ALUMINUM, TEFLON LINED CAPPING HOODS AND OUTLET VALVES
- 8 CUSTOM MOLDED VITON AND EPDM GASKETS (2 PCS. OF EACH MATERIAL)
- 9 ALL COMPONENTS FIT INTO ONE POLYETHYLENE TOOL BOX (NOT SHOWN ABOVE)
- 10 YOKE ASSEMBLY WORKS WITH EXISTING TANK CAR KITS IN FIELD



CHLORINE TANK-CAR APPLICATION



INDIAN SPRINGS

P.O. BOX 469 BALDWINVILLE, N.Y. 13027-0469 Phone (315) 635-6101 Fax (315) 635-7473

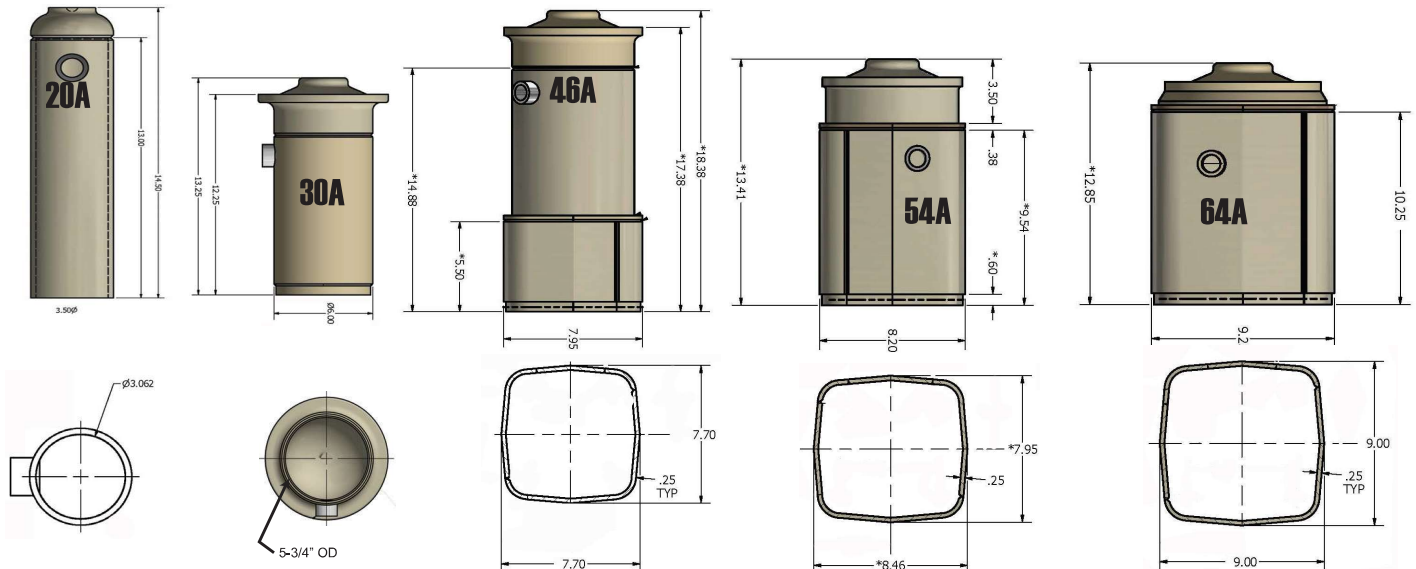
www.indiansprings.com

EMERGENCY KIT Parts List: ERK

Part#	Description	QTY Per Kit
18C	Yoke Assembly, Adjusting, with Clamping Jaws (38" Max Housing OD)	1 <input type="checkbox"/>
20A	Hood Assembly with (20V) Vent Valve: 3" ID x 13" Inside Height	1 <input type="checkbox"/>
20BEP	Gasket Molded EPDM	2 <input type="checkbox"/>
20BMV	Gasket Molded Viton	2 <input type="checkbox"/>
30A	Hood Assembly with (30V) Vent Valve: 5-1/2" ID x 12" Inside Height	1 <input type="checkbox"/>
30BEP	Gasket Molded EPDM	2 <input type="checkbox"/>
30BMV	Gasket Molded Viton	2 <input type="checkbox"/>
46A	Hood Assembly with (46V) Vent Valve: 6-3/4" sq(Inside) x 5-1/2IH + 6-1/2" ID x 12" IH	1 <input type="checkbox"/>
46BEP	Gasket Molded EPDM	2 <input type="checkbox"/>
46BMV	Gasket Molded Viton	2 <input type="checkbox"/>
54A	Hood Assembly with (54V) Vent Valve: 7-1/2" IL x 6-7/8" IW x 9-1/2" IH	1 <input type="checkbox"/>
54BEP	Gasket Molded EPDM	2 <input type="checkbox"/>
54BMV	Gasket Molded Viton	2 <input type="checkbox"/>
64A	Hood Assembly with (64V) Vent Valve: 7-7/8" sq(Inside) x 10-1/4" IH	1 <input type="checkbox"/>
64BEP	Gasket Molded EPDM	2 <input type="checkbox"/>
64BMV	Gasket Molded Viton	2 <input type="checkbox"/>
X-1	Rope and Carabiners (2)	1 <input type="checkbox"/>
X-2	Socket Wrench Set	1 <input type="checkbox"/>
X-3	Wire Brush	1 <input type="checkbox"/>
X-4	Wrench, 15" Adjustable	1 <input type="checkbox"/>
X-5	Hammer, Machinist 1-1/2 lbs	1 <input type="checkbox"/>
X-6	Paint Scraper, 1-1/4" Blade	1 <input type="checkbox"/>
X-7	Kit Box Seals	15 <input type="checkbox"/>
X-8	Bolt Cutter, 18"	1 <input type="checkbox"/>
X-9	Wire Cutter	1 <input type="checkbox"/>
X-10	Gasket Sack	1 <input type="checkbox"/>
X-11	Tool Bucket and Carabiner	1 <input type="checkbox"/>
151-X	Kit-Box: 17"H x 19"W x 44"L	1 <input type="checkbox"/>
IX	Instruction Booklet	2 <input type="checkbox"/>



The Indian Springs ERK ships on a 48" x 40" pallet, 255 lbs.



INDIAN SPRINGS

P.O. BOX 469 BALDWINVILLE, N.Y. 13027-0469 Phone (315) 635-6101 Fax (315) 635-7473

www.indiansprings.com