

# EMERGENCY KIT "B"

FOR ONE TON CHLORINE CONTAINERS DOT 106A500X & W



The Chlorine Institute Emergency Kit "B" is manufactured to the design specifications of the Chlorine Institute. The Emergency Kit "B" contains devices to stop leaks at the valves, fusible plugs, and in the side wall of chlorine one ton containers which conform to specification DOT 106A500X & DOT 106A500W. Two instruction booklets explaining the application of each device are included. An instruction DVD for Kit B is also available.

## EMERGENCY KIT "B" FEATURES:

**Device #14:** Capping device designed to contain leaks in and around ton container fusible plugs without touching the plug itself using the new bar assembly #28C.

**Device #12:** Design to contain leaks in and around the ton container valves with, spring loaded, adjustable yoke assembly.

**Device #9:** Patching device designed for sealing leaks in the ton container side wall with much less torque with fewer pressure points than previous design. Kit "B" also includes a variety of hand tools, inspection seals and additional sealing devices. All items are labeled with a part number, color coded yellow and stored inside a durable polyethylene tool box.

## EMERGENCY KIT "B" TRAINING DEVICES

The Chlorine One Ton Training End is a full size, aluminum replica of the standard DOT 106A500X container designed to simulate valve and fusible plug leaks for training upon, part# **ENDW**.

Training end rotates a full 180° and weighs only 195 lbs.

**NOT INCLUDED IN KIT**

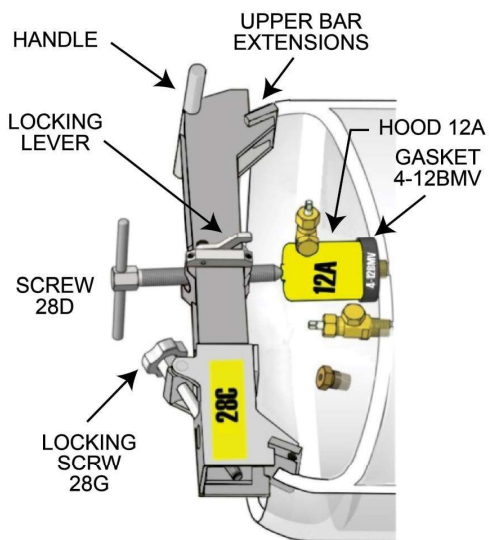


Manufactured to Chlorine Institute Specifications by Indian Springs Mfg. Co., Inc.

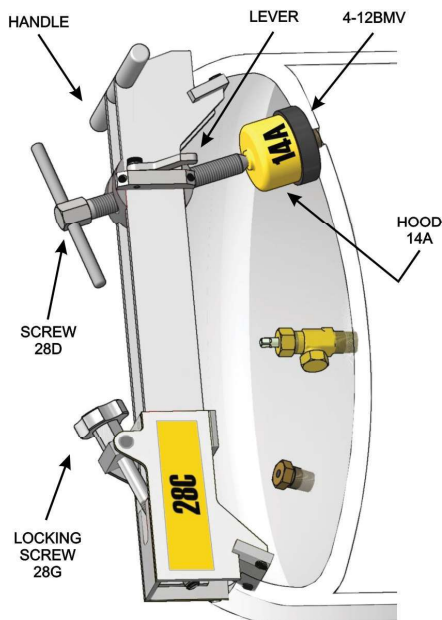
# INDIAN SPRINGS

Indian Springs Manufacturing Co., Inc. PO Box 469 Baldwinsville NY 13027-0469. (315) 635-6101  
www.indiansprings.com

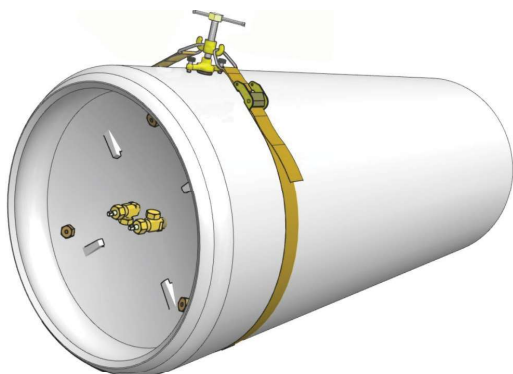
# CHLORINE INSTITUTE EMERGENCY KIT "B" Applications and Parts List



**DEVICE 12**



**DEVICE 14**



**DEVICE 9**

Part Number	Description	Quantity per Kit
	<b>Available as Conversion PKG BC14A</b>	
14A	Hood Assembly	1
28C	Bar Assembly, adjustable with Center Screw 28D	1
	<b>Available as Conversion PKG BC14B</b>	
9S	Strap	1
9B	Yoke, 2 Prong	1
9C1	Screw, with Handle	1
9D1	Patch with Thumb Screws	1
9GV	Gasket, Molded Viton®, 1-1/2" Dia. x 3/4" Th.	2
4A	Hood	1
4C	Yoke with 4E Screw	1
4F	Cap Nut, 1-1/4" Hex	1
4G	Gasket, 15/16"Dia. x 1/16" Th. Durlon®9000	5
12A	Hood, Assembly with (12V) Vent Valve	1
4-12BMV	Gasket, molded Viton®, 4"OD x 2-5/8"ID x 1"Th	2
12BBV	Gasket, molded Viton®, 5"OD x 2"ID x 1/2"Th.	1
12MV	Gasket, molded Viton®, 5-1/4"OD x 2-1/4"ID x 3/4"	1
101	Wrench, Straight Open End, 1-1/4" x 12"Lg.	1
104	Wrench, 1-1/4"Hex x 8"Lg.	1
104B	Wrench Bar, 1"Dia. x 20"Lg.	1
106	Wrench, Crowfoot Special, 1-5/32"Hex x 11"Lg.	1
200B	Wrench, 3/8"Sq. x 1-1/4" Open End, x 7-1/4"Lg.	1
B-1	Drift Pin, 5/32"Dia. - 1/2"Dia. x 6"Lg.	2
B-2	Drift Pin, 7/8" Dia. - 1-1/4"Dia. x 8"Lg.	2
B-3	Drift Pin, 1-1/16"Dia. - 1-7/16"Dia. x 8"Lg.	2
B-4	Ring, Vent Valve Packing, 7/8"OD x 15/31"ID x 1/4"	5
B-5	Paint Scraper, 1-1/4"Blade	1
B-6	Hammer, Machinist 3lbs.	1
B-7	Kit Box Seals, Tags, Inspection Sheets	15
B-8	Gasket Sack	1
B-9	Valve Yoke	1
B-10	Valve Adapter (820 Hose)	1
B-11	Gasket, 15/16"OD x 9/16"ID x 1/16"Th.Durlon®	5
B-12	Plastic Box	1
153	Tool Roll	1
151B	Kit Box, 34"L x 16.25"W x 16.5"H w/sign	1
IB	Instruction Booklet	2
CM	Chlorine Manual	1
PL	Parts List	1

Weight: 105 lbs., Net 90 lbs., 18" x 18-1/2" x 36"Lg.

Viton® is a registered trademark of The Chemours Company.

Durlon® 9000 is a registered trademark of Durabala.

Authorized, trained personnel equipped with suitable respiratory equipment should investigate chlorine leaks promptly. All other persons should be restricted from the affected area. Breathing apparatus or other personal protective equipment are not included in the kits, but must be used when investigating and correcting chlorine leaks and are available from Indian Springs.



Manufactured to Chlorine Institute Specifications by Indian Springs Mfg. Co., Inc.