

Application

Ideal for use where Lead-Free valves are required. Designed for installation on potable water lines to reduce high inlet pressure to a lower outlet pressure. The double male meter thread connections are specifically designed for meter set-ter applications. The direct acting integral by-pass design prevents buildup of excessive system pressure caused by thermal expansion. The balanced piston design enables the regulator to react in a smooth and responsive manner to changes in system flow demand, while at the same time, providing protection from inlet pressure changes. Furnished with sealed cage and stainless steel adjustment bolt.



Standards Compliance

- ASSE® Listed 1003
 - IAPMO® Listed
 - CSA® Certified
 - City of Los Angeles Approved
 - Certified to NSF/ANSI 372* by IAPMO R&T
- *(0.25% MAX. WEIGHTED AVERAGE LEAD CONTENT)



Materials

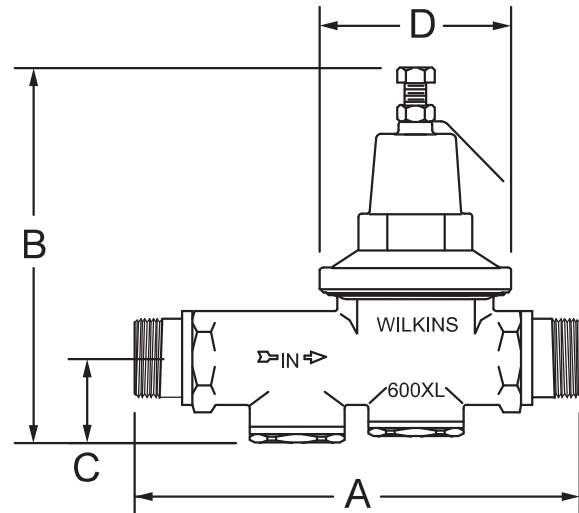
Main valve body	Low Lead Cast Bronze ASTM B 584
Access covers	Low Lead Brass
Fasteners	300 Series Stainless Steel
Stem & plunger	Low Lead Brass
Elastomers	Buna Nitrile, FDA EPDM, FDA
Cap gaskets	Delrin™ 500 Acetal, NSF Listed
Strainer screen	300 Series Stainless Steel

Options

- HR - High Range 75 psi to 125 psi Factory set @ 85 psi
- DM2 - 9 1/2" Lay Length, 1" 600XL only.

Features

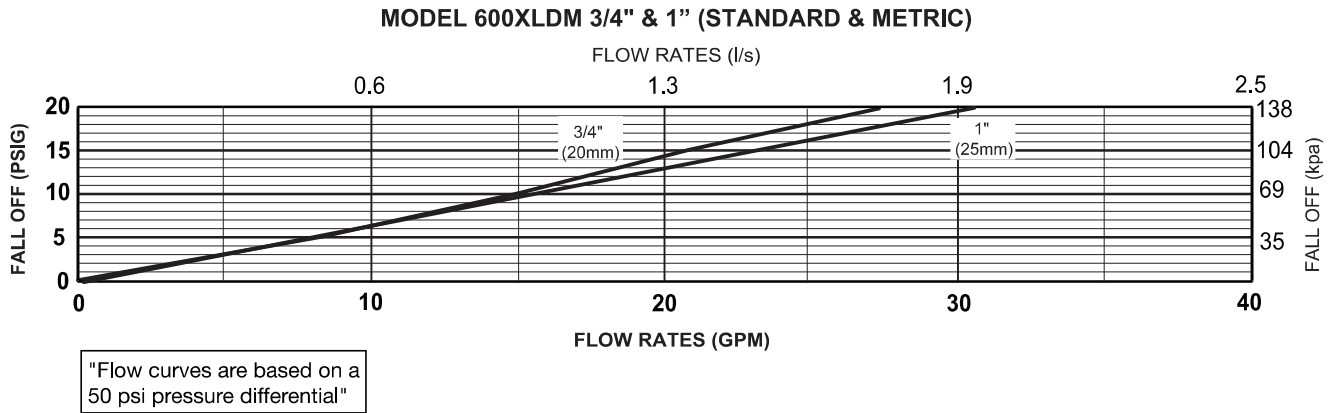
Sizes: 3/4", 1"
 Standard with Sealed Cage Bell Housing and stainless steel adjustment screw
 Maximum working water pressure 300 psi
 Maximum working water temperature 140°F
 Hydrostatic test pressure 300 psi
 End connections Threaded
 ANSI B1.20.1
 Male Meter
 5/8x3/4



Dimensions & Weights (do not include pkg.)

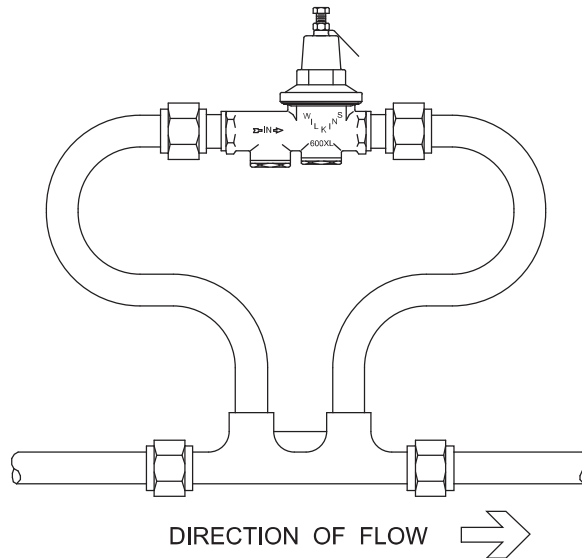
METER THREAD	DIMENSIONS (approximate)								WEIGHT	
	A		B		C		D		lbs.	kg.
	in.	mm	in.	mm	in.	mm	in.	mm		
3/4"	7 1/2	191	5 1/2	140	1 1/4	32	2 3/4	70	3.5	1.58
1" DM	7 1/2	191	7 1/4	184	2	51	35/16	84	6.0	2.72
1" DM2	9 1/2	241	7 1/4	184	2	51	35/16	84	6.5	2.95

Flow Characteristics



Typical Installation

Local codes shall govern installation requirements. Unless otherwise specified, the assembly shall be mounted in accordance with the latest edition of the Uniform Plumbing Code. The Model 600XLDM may be installed in any position. Multiple installations are recommended for wide demand variations or where the desired pressure reduction is more than 4 to 1 (i.e.: 200 psi inlet reduced to 50 psi outlet). **Caution:** Anytime a reducing valve is adjusted, a pressure gauge must be used downstream to verify correct pressure setting. Do not bottom adjustment bolt on bell housing.



Meter Setter Installation

Specifications

The Pressure Reducing Valve shall be certified to NSF/ANSI 372, consist of a low lead bronze body and bronze bell housing, shall have a separate access cover for the plunger and strainer screen and shall have a bolt to adjust the downstream pressure. The Pressure Reducing Valve shall be of the balanced piston design and shall reduce pressure in both flow and no-flow conditions. The bronze bell housing and access caps shall be threaded to the body and shall not require the use of ferrous screws. The Pressure Reducing Valve shall be a ZURN WILKINS Model 600XLDM.