



Model 975XL3

Reduced Pressure Principle Assembly

Application

Ideal for use where Lead-Free* valves are required. Designed for installation on potable water lines to protect against both backsiphonage and backpressure of contaminated water into the potable water supply. Assembly shall provide protection where a potential health hazard exists.

Standards Compliance

- ASSE® Listed 1013
- UPC® Listed
- AWWA Compliant C511
- Approved by the Foundation for Cross Connection Control and Hydraulic Research at the University of Southern California
- Meets the requirements of NSF/ANSI/CAN 61 and 372 *(0.25% MAX. WEIGHTED AVERAGE LEAD CONTENT)
- Not available for sale or use in Canada

Materials

| | |
|--------------------|--|
| Main valve body | Low Lead Cast Bronze ASTM B 584 |
| Access covers | Low Lead Cast Bronze ASTM B 584 |
| Fasteners | Stainless Steel, 300 Series |
| Elastomers | Silicone (FDA Approved) Buna Nitrile (FDA Approved) |
| Polymers | Noryl™ |
| Springs | Stainless Steel, 300 Series |
| Ball valve handles | Stainless Steel |

Features

| | |
|-----------------------------------|------------------------------------|
| Sizes: | 1/2", 3/4", 1", 1 1/4", 1 1/2", 2" |
| Minimum working water pressure | 25 PSI |
| Maximum working water pressure | 175 PSI |
| Minimum working water temperature | 33°F |
| Maximum working water temperature | 180°F |
| Hydrostatic test pressure | 350 PSI |
| Threaded end connections (FNPT) | ANSI B1.20.1 |

Relief Valve discharge port:

| | | |
|-----------------|---|--------------|
| 1/2" - 1" | - | 0.29 sq. in. |
| 1 1/4" - 1 1/2" | - | 0.59 sq. in. |
| 2" | - | 0.93 sq. in. |



NSF/ANSI/CAN 61

Options

(Suffixes can be combined)

- with full port QT ball valves (standard, 1/2" - 2"), and with integral male 45° flare SAE test fitting (standard, 1/2" - 1")
- FT - with integral male 45° flare SAE test fitting (1 1/4" - 2", contact factory for approvals)
- S - with Model SXL lead-free wye type strainer
- SE - with 90° elbows (1/2" - 1")
- U - with union ball valves (3/4" - 2")

Accessories

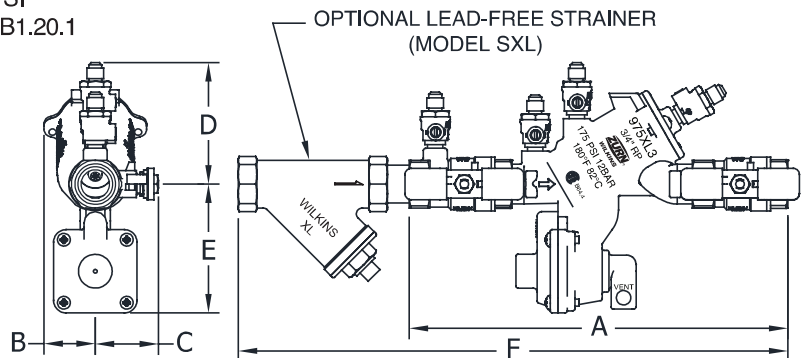
- Air gap (Model AG-X)
- Repair kits (see repair kit guide for full list)
- Thermal expansion tank (Model XT)
- Soft seated check valve (Model 40XL2)
- Shock arrester (Model 1260XL)
- QT-SET Quick Test Fitting Set (1 1/4" - 2")

Air Gap Part Numbers

| | |
|------|-------------------|
| AG-4 | (1 1/4" - 1 1/2") |
| AG-5 | (2") |
| AG-8 | (1/2" - 1") |

Repair Kit Part Numbers

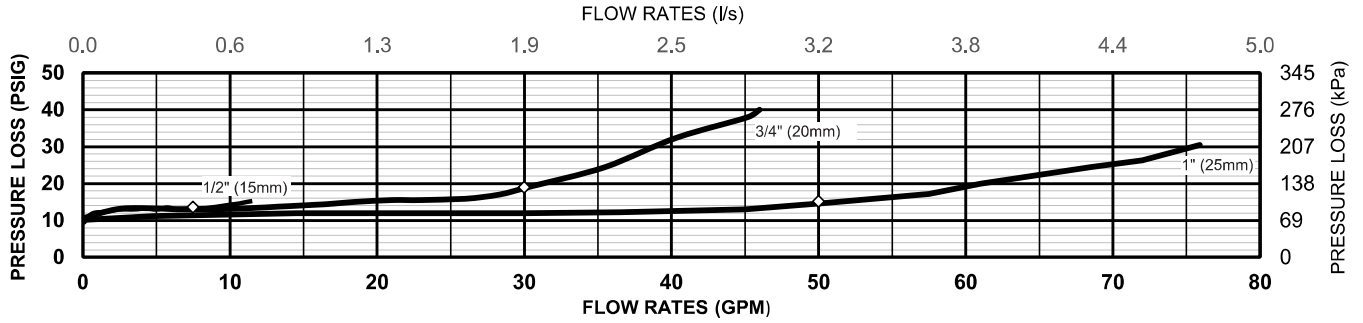
| | |
|--------------|-------------------|
| RK34-975XL3 | (1/2" & 3/4") |
| RK1-975XL3 | |
| RK114-975XL3 | (1 1/4" & 1 1/2") |
| RK2-975XL3 | |



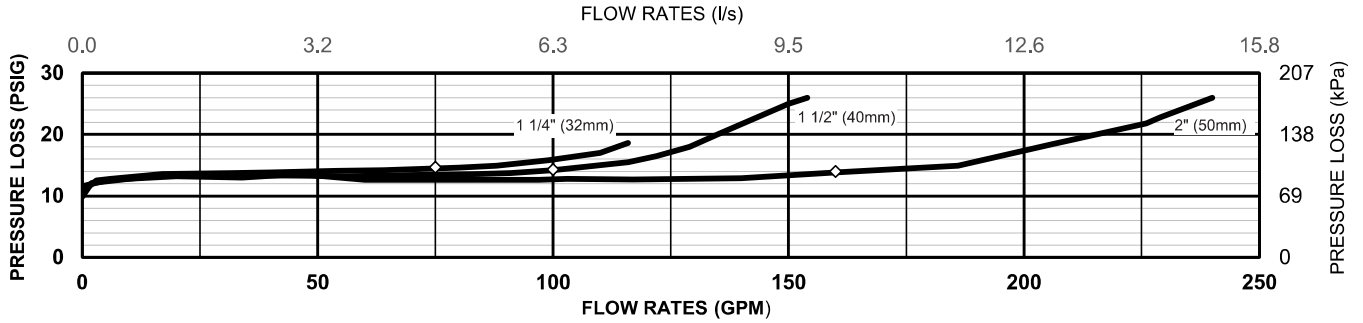
Dimensions & Weights (do not include pkg.)

| MODEL SIZE | DIMENSIONS (approximate) | | | | | | | | | | | | WEIGHT | | |
|------------|--------------------------|----------|-----|---------|-----|---------|-----|---------|-----|--------|-----|---------|------------------|----|-----|
| | A | | B | | C | | D | | E | | F | | WITH BALL VALVES | | |
| | in. | mm | in. | mm | in. | mm | in. | mm | in. | mm | in. | mm | lbs. | kg | |
| 1/2 | 15 | 9 5/16 | 237 | 1 3/8 | 35 | 1 1/2 | 38 | 3 7/32 | 82 | 3 3/8 | 86 | 13 1/16 | 332 | 4 | 1.8 |
| 3/4 | 20 | 10 | 254 | 1 3/8 | 35 | 1 11/16 | 43 | 3 7/32 | 82 | 3 3/8 | 86 | 14 1/8 | 359 | 4 | 1.8 |
| 1 | 25 | 11 13/16 | 300 | 1 9/16 | 40 | 1 15/16 | 49 | 3 7/16 | 87 | 3 1/2 | 89 | 16 3/16 | 412 | 6 | 2.7 |
| 1 1/4 | 32 | 15 9/16 | 396 | 1 9/16 | 40 | 2 1/2 | 64 | 4 1/16 | 104 | 5 3/16 | 133 | 21 1/8 | 537 | 15 | 6.8 |
| 1 1/2 | 40 | 15 11/16 | 399 | 1 9/16 | 40 | 3 1/8 | 79 | 4 1/16 | 104 | 5 3/16 | 133 | 22 3/8 | 569 | 16 | 7.3 |
| 2 | 50 | 17 7/8 | 454 | 1 15/16 | 49 | 3 1/2 | 89 | 4 15/16 | 126 | 6 5/8 | 169 | 25 7/8 | 657 | 22 | 10 |

MODEL 975XL3 1/2", 3/4" & 1" (STANDARD & METRIC)



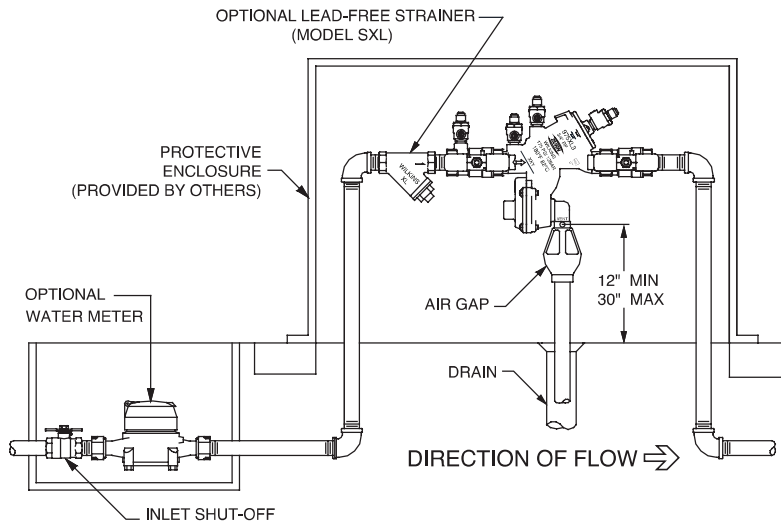
MODEL 975XL3 1 1/4", 1 1/2" & 2" (STANDARD & METRIC)



Typical Installation

Local codes shall govern installation requirements. To be installed in accordance with the manufacturers' instructions and the latest edition of the Uniform Plumbing Code. Unless otherwise specified, the assembly shall be mounted at a minimum of 12" (305mm) and a maximum of 30" (762mm) above adequate drains with sufficient side clearance for testing and maintenance. The installation shall be made so that no part of the unit can be submerged.

| Capacity thru Schedule 40 Pipe | | | | |
|--------------------------------|----------|------------|-----------|-----------|
| Pipe size | 5 ft/sec | 7.5 ft/sec | 10 ft/sec | 15 ft/sec |
| 1/8" | 1 | 1 | 2 | 3 |
| 1/4" | 2 | 2 | 3 | 5 |
| 3/8" | 3 | 4 | 6 | 9 |
| 1/2" | 5 | 7 | 9 | 14 |
| 3/4" | 8 | 12 | 17 | 25 |
| 1" | 13 | 20 | 27 | 40 |
| 1 1/4" | 23 | 35 | 47 | 70 |
| 1 1/2" | 32 | 48 | 63 | 95 |
| 2" | 52 | 78 | 105 | 167 |



OUTDOOR INSTALLATION

Specifications

The Reduced Pressure Principle Backflow Preventer shall be certified to NSF/ANSI/CAN 61, shall be ASSE® Listed 1013, rated to 180°F, and supplied with full port ball valves. The main body and access covers shall be low lead bronze (ASTM B 584), the seat ring and all internal polymers shall be Noryl™ and the seat disc elastomers shall be silicone. The first and second checks shall be at an angle and be accessible for maintenance without removing the relief valve or the entire device from the line. The checks shall share a single access cover and test cocks shall be accessible from the top of the device. If installed indoors, the installation shall be supplied with an air gap adapter. The Reduced Pressure Principle Backflow Preventer shall be a ZURN WILKINS Model 975XL3.