



Excel[®] XR Series

Electronic Metering Pump
Instruction Supplement

Manual No. : 59288

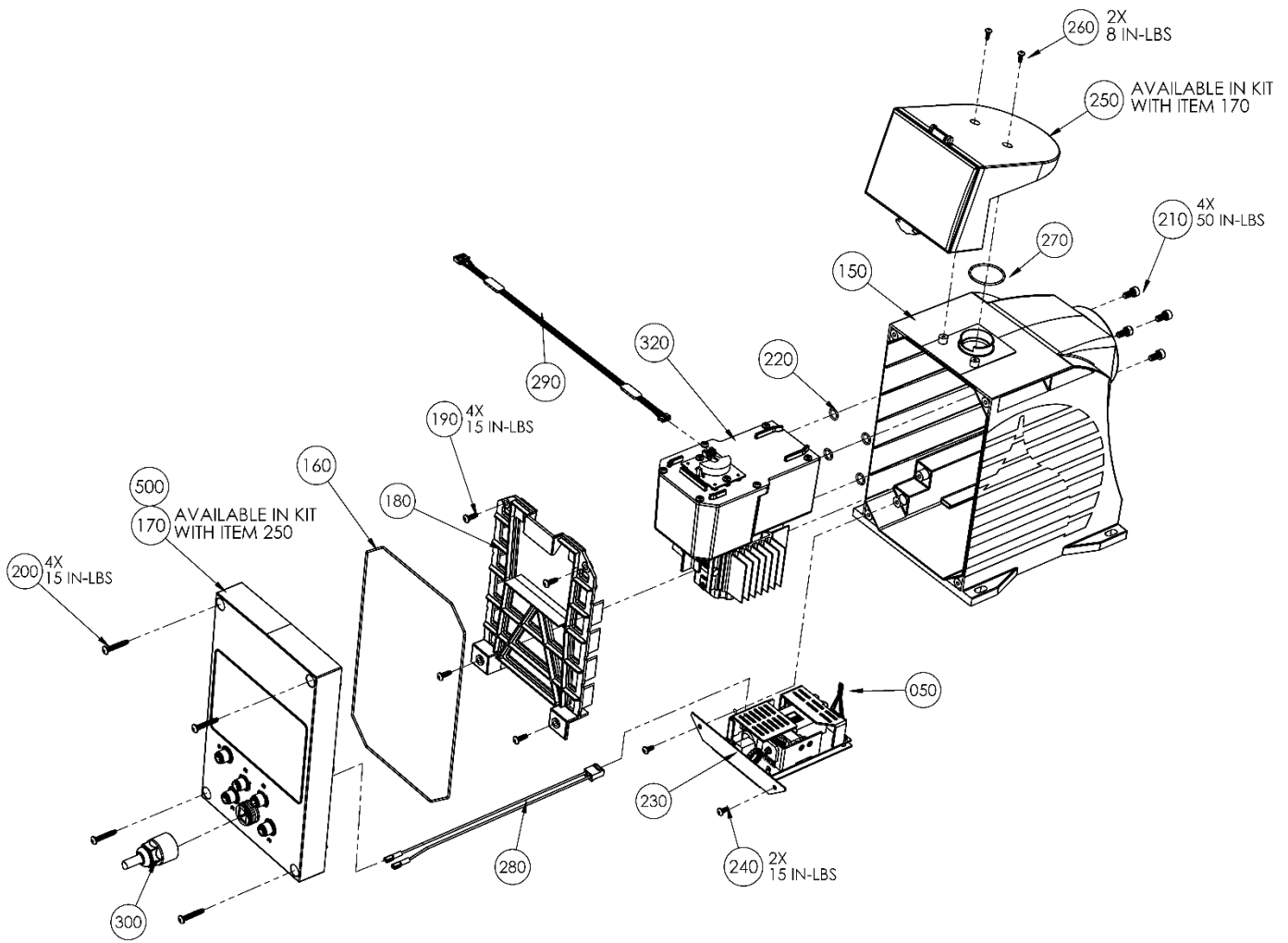
Revision : 02

Rev. Date : 03/2020



MAIN ASSEMBLY

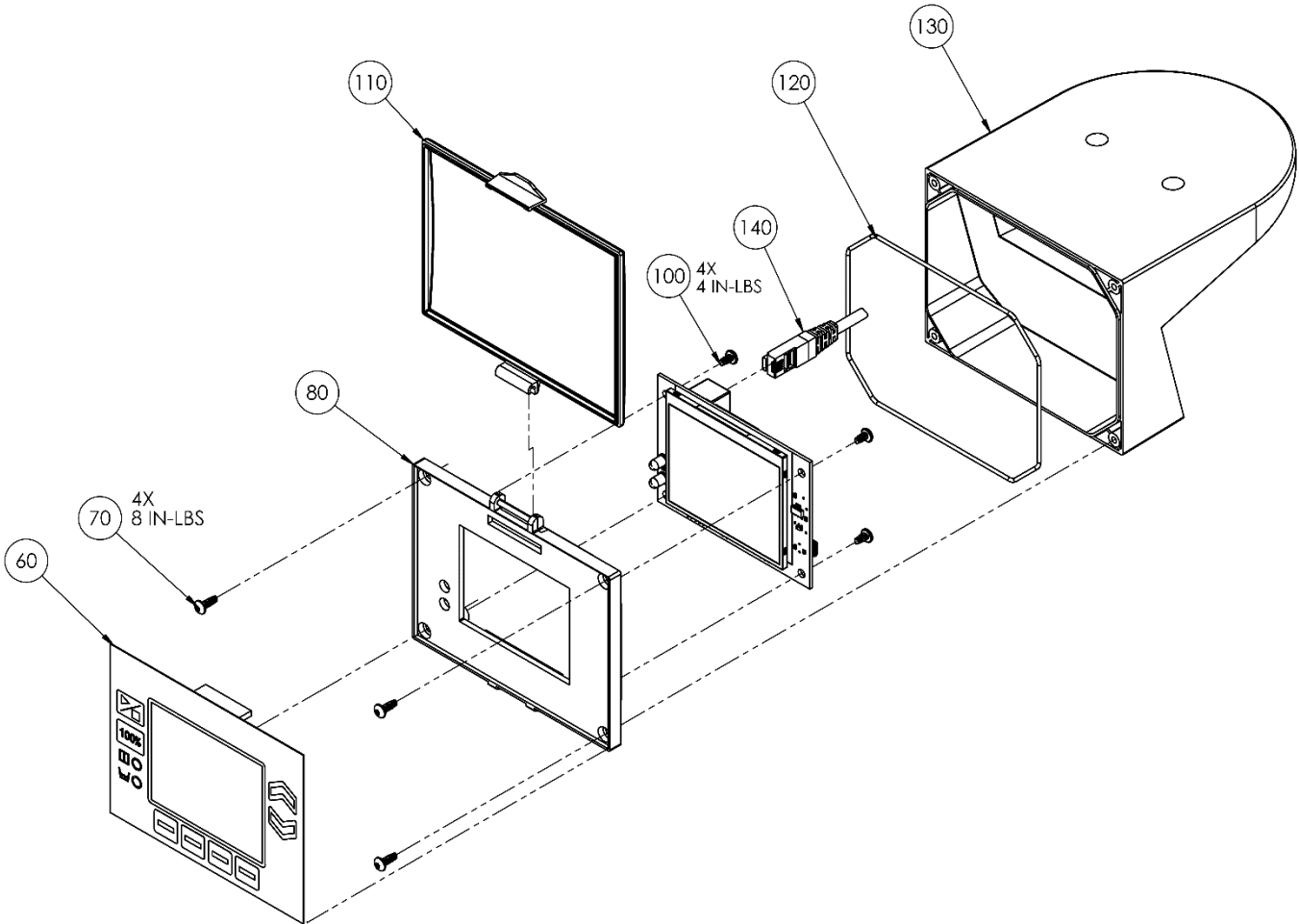
This technical note only applies to pumps manufactured before July 2019 with a serial number that starts with a number less than 1907



MAIN ASSEMBLY

LEVEL	KEY NUMBER	DESCRIPTION	PART NUMBER	QTY
1	50	WIRE HARNESS, DC POWER	54113	1
1	150	HOUSING, MAIN	52702-1660	1
1	160	O-RING, CONTROL PANEL	52702-2550	1
1	180	DRIVE BRACKET	52702-1780	1
1	190	FASTENER, DRIVE BRACKET	54199	4
1	200	FASTENER, CONTROL PANEL	54200	4
1	210	FASTENER, DRIVE	54201	4
1	220	O-RING, DRIVE	54202	4
1	230	ASSEMBLY, POWER SUPPLY	59295	1
1	240	FASTENER, POWER SUPPLY	54204	2
1	260	FASTENER, USER INTERFACE	54116	2
1	270	O-RING, USER INTERFACE	54205	1
1	280	WIRE HARNESS, AC POWER	54211	1
1	290	WIRE HARNESS, STROKE INDICATOR	59022	1
1	300	POWER CORD, US 120V	48851	1
		POWER CORD, US 240V	48852	1
		POWER CORD, DIN	48853	1
		POWER CORD, UK	48855	1
		POWER CORD, AUSTRALIA / NEW ZEALAND	48856	1
		POWER CORD, SWISS	48857	1
		POWER CORD, NO PLUG	48859	1
1	320	ASSEMBLY, DRIVE, OUTPUT CODE 2	54104	1
		ASSEMBLY, DRIVE, OUTPUT CODE 3	54028	1
		ASSEMBLY, DRIVE, OUTPUT CODE 4	54045	1
1	500	CONTROL KIT, BASIC CONTROL	59289	1
		CONTROL KIT, ENHANCED CONTROL	59290	1
2	170	ASSEMBLY, CONTROL PANEL	-	1
2	250	ASSEMBLY, USER INTERFACE	-	1

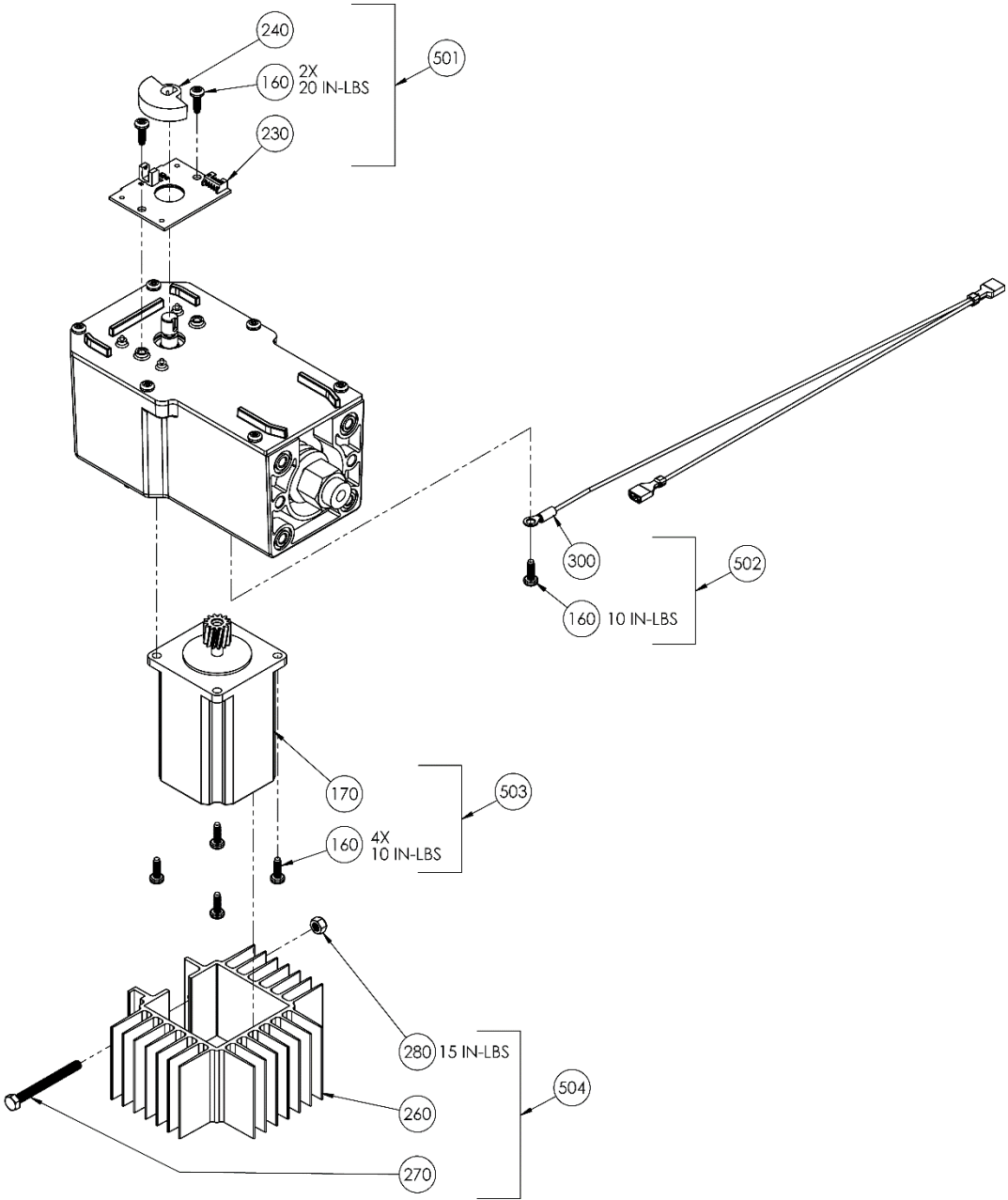
USER INTERFACE ASSEMBLY



USER INTERFACE ASSEMBLY

LEVEL	KEY NUMBER	DESCRIPTION	PART NUMBER	QTY
1	60	DISPLAY MEMBRANE	54195	1
1	70	FASTENER, BEZEL	54116	4
1	80	BEZEL, USER INTERFACE	52702-1680	1
1	100	FASTENER, PCB ASSEMBLY, USER INTERFACE	54196	4
1	110	CLEAR COVER	52702-1810	1
1	120	O-RING, BEZEL	52702-1720	1
1	130	HOUSING, USER INTERFACE	52702-1690	1
1	140	WIRE HARNESS, USER INTERFACE	54210	1

DRIVE ASSEMBLY



DRIVE ASSEMBLY

LEVEL	KEY NUMBER	DESCRIPTION	PART NUMBER	QTY
1	501	KIT, STROKE SENSOR	59291	1
2	160	FASTENER, STROKE SENSOR	-	2
2	230	PCB ASSEMBLY, STROKE SENSOR	-	1
2	240	FLAG, STROKE SENSOR	-	1
1	502	KIT, GROUND WIRE HARNESS	59292	1
2	160	FASTENER, GROUND WIRE HARNESS	-	1
2	300	WIRE HARNESS, GROUND	-	1
1	503	KIT, STEPPER MOTOR	59293	1
2	160	FASTENER, STEPPER MOTOR	-	4
2	170	ASSEMBLY, STEPPER MOTOR	-	1
1	504	KIT, HEAT SINK	59294	1
2	260	HEAK SINK	-	1
2	270	FASTENER, HEAT SINK	-	1
2	280	NUT, HEAT SINK	-	1

INTENTIONALLY LEFT BLANK

INTENTIONALLY LEFT BLANK

About Ingersoll Rand

Ingersoll Rand (NYSE:IR), driven by an entrepreneurial spirit and ownership mindset, is committed to helping make life better. We provide innovative and mission-critical industrial, energy, medical and specialty vehicle products and services across 40+ respected brands designed to excel in even the most complex and harsh conditions where downtime is especially costly. Our employees connect to customers for life by delivering proven expertise, productivity and efficiency improvements. For more information, visit www.IRCO.com.



LMI is a registered trademark of Milton Roy, LLC.
EXCEL is a registered trademark of Milton Roy, LLC

info@lmipumps.com
www.lmipumps.com

© 2017 Milton Roy, LLC

