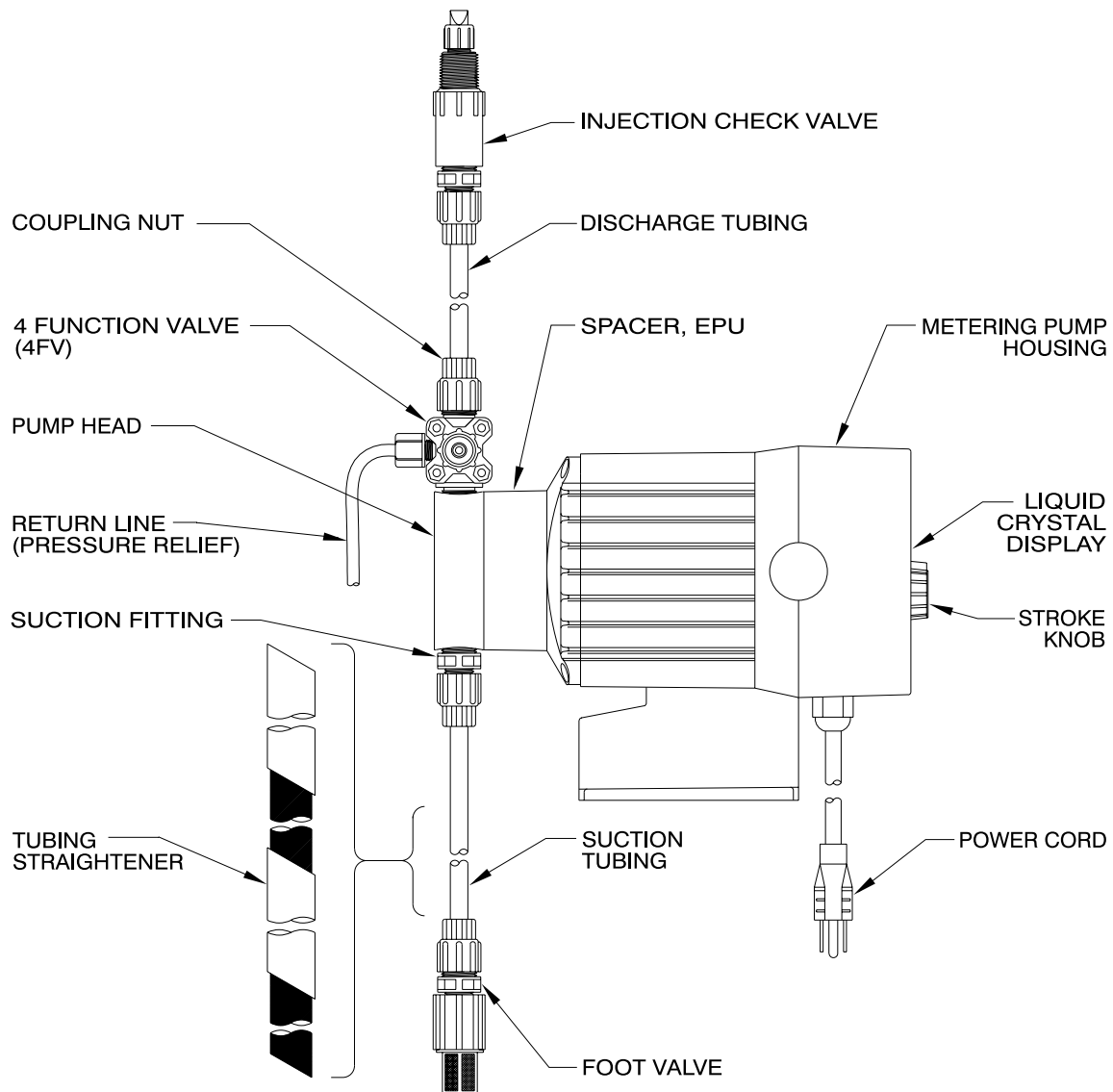


# Instruction **Supplement**

Series C9

## Electronic Metering Pump



**METERING PUMP COMPONENT DIAGRAM**

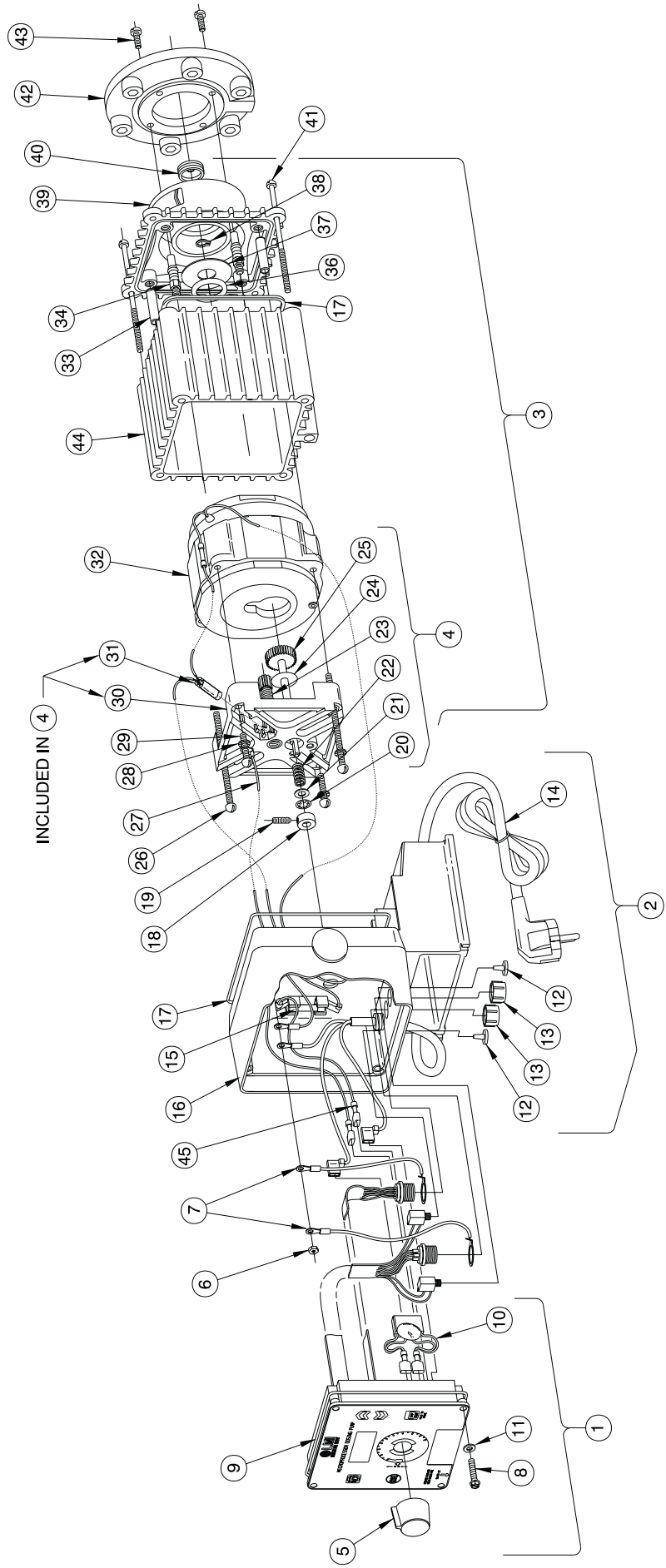


8 Post Office Square  
Acton, MA 01720 USA  
TEL: (978) 263-9800  
FAX: (978) 264-9172  
<http://www.lmipumps.com>



Replaces same of Rev. B 9/97  
1795.C 2/98

# SERIES C9 DRIVE ASSEMBLY EXPLODED VIEW DIAGRAM

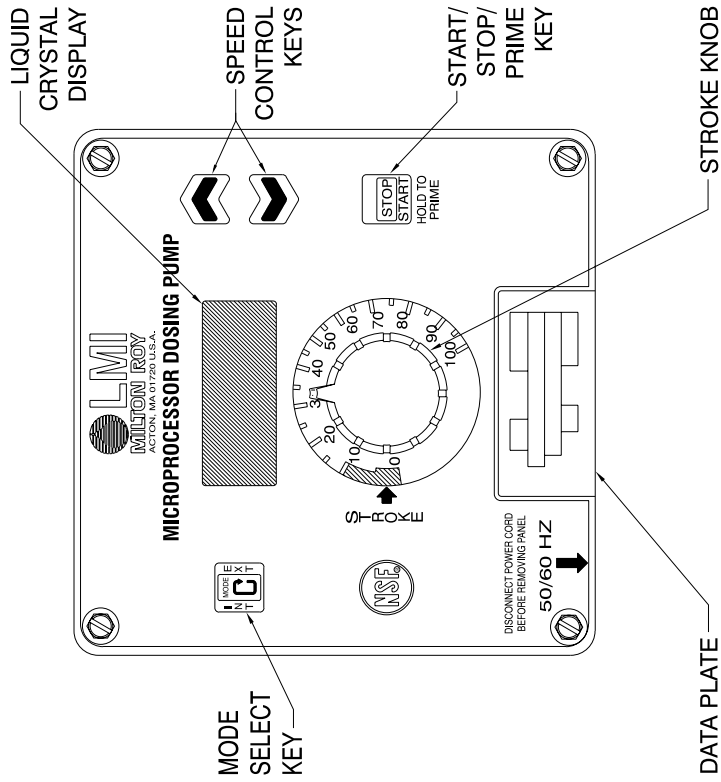


## SERIES C9 DRIVE ASSEMBLY PARTS LIST

Key No	Model Series	Part No.	Description	Qty.
1	C901, C911 C902, C903, C905, C906, C907 C912, C913, C915, C916, C917	35960CE	Control Panel Assembly, 120V	1
		35961CE	Control Panel Assembly, 240V	1
	C921	35962CE	Control Panel Assembly, 120V	1
		35963CE	Control Panel Assembly, 240V	1
	C923, C925, C926, C927	35964CE	Control Panel Assembly, 120V	1
		35965CE	Control Panel Assembly, 240V	1
	C933, C935, C936, C937	35966CE	Control Panel Assembly, 120V	1
		35967CE	Control Panel Assembly, 240V	1
	C942, C943, C945, C946, C947	35949CE	Housing Assembly, 120V	1
		35955CE	Housing Assembly, 230V	1
	C901, C911, C921, C931, C941	35950CE	Housing Assembly, 220-240V DIN	1
		35951CE	Housing Assembly, 220-240V UK	1
	C902, C912, C922, C932, C942	35956CE	Housing Assembly, 220-240V AUSTR	1
		35952CE	Housing Assembly, 220-240C SWISS	1
2	C901	32532CE	EPU & Spacer Asm, w/Stroke Adj, 120V	1
		32533CE	EPU & Spacer Asm, w/Stroke Adj, 240V	1
	C911, C921	32534CE	EPU & Spacer Asm, w/Stroke Adj, 120V	1
		32535CE	EPU & Spacer Asm, w/Stroke Adj, 240V	1
	C931, C941	32536CE	EPU & Spacer Asm, w/Stroke Adj, 120V	1
		32537CE	EPU & Spacer Asm, w/Stroke Adj, 240V	1
	C933, C935, C936, C937	32251CE	Stroke Bracket Assembly	1
		31891	Knob, Stroke	1
	C942, C943, C945, C946, C947	10191	Nut, 6-32	2
		35266	Wire Assembly	2
C9	30306	Screw, 10 x 1 PH S.S.	4	
	10166	O-Ring	1	
C9X1	35254	MOV/CAP Assembly, 120V	1	
	35255	MOV/CAP Assembly, 220-240V	1	
C9X2, C9X3, C9X5, C9X6	33889	Washer	4	
	30307	Plug	2	
C9	25930	Cover	2	
	37213CE	Power Cord, 120V	1	
C9X1	37214CE	Power Cord, 240V	1	
	36001CE	Power Cord, 220-240V DIN	1	
C9X2	37215CE	Power Cord, 220-240V UK	1	
	36002CE	Power Cord, 220-240V AUSTR	1	
C9X3	37216CE	Power Cord, 220-240V SWISS	1	

Key No.	Model Series	Part No.	Description	Qty.
15	C901, C911, C921, C931, C941 C90, C91, C92, C93, C94 All models rated 220-240 Volts	25825	Fuse, 4A Rectifier	2
		25824	Fuse, 2A Rectifier	2
16	C9	35890	Housing	1
17	C9	35269	O-Ring	2
18	C9	25424	Collar	1
19	C9	25423	Set Screw	1
20	C9	10462	Retaining Ring	1
21	C9	32302	Washer	1
22	C9	32221	Spring	1
23	C9	32578	Pinion	1
24	C9	25121	Gasket	1
25	C9	31770	Shaft Assembly	1
26	C9	27552	Screw, 10-24 x 4.0	2
27	C9	36223	Ground Wire Assembly (GRN)	1
28	C9	10415	Washer	4
29	C9	27551	Screw, 10-24 x 1.25	4
30	C9	12064	Bracket (without mating parts)	1
31	C9	27501CE	Thermostat	1
32	C901, C911, C921, C931, C941 C90, C91, C92, C93, C94 All models rated 220-240 Volts	32158CE	EPU Assembly, 120V	1
		32159CE	EPU Assembly, 240V	1
33	C90, C91, C92, C93, C94	27187	Spacing Stud	2
		27641	Stud Assembly	4
34	C90, C91, C92 C93, C94	27641-1	Stud Assembly	4
		26983	O-Ring	1
36	C9	26983	O-Ring	1
37	C9	27586	Shim	1
38	C9	27253	Retaining Ring	1
39	C90 C91, C92 C93, C94	35393	Spacer, 0.9 SI	1
		35394	Spacer, 1.8 SI	1
40	C9	35395	Spacer, 3.0 SI	1
		10973	Seal	1
41	C9	25127	Screw, RH Slotted, S.S.	4
42	C94	25887	Spacer Adapter, 6.0 SI	1
43	C9	10598	Screw	4
44	C90, C91, C92, C93, C94	25068	Sleeve, EPU	1
45	C9	26344CE	Wire Assembly	2
Not Shown	C9	25849	Bushing, Unipulser	1

# SERIES C9 CONTROL PANEL DETAIL



# SERIES C9 WIRING DIAGRAM

