



McElroy Manufacturing, Inc.
The leader by design.
Tulsa, Oklahoma U.S.A.

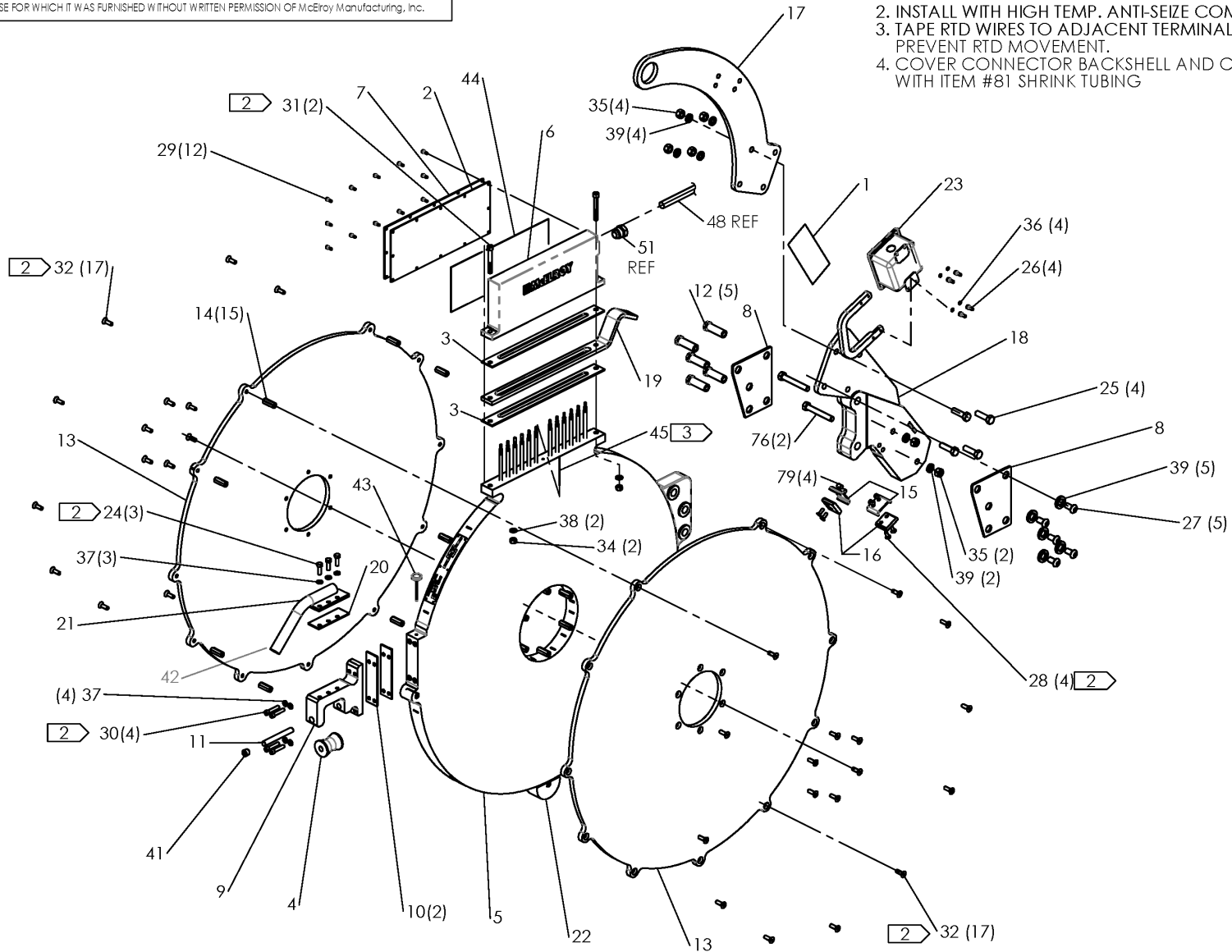
DRAWN: FAW	CHECK: BWJ	APPR'D: DWP	DATE: 04/10/07	SHT No: 1A	REV No: L	PART No: T9001201
------------	------------	-------------	----------------	------------	-----------	-------------------

TracStar® 900 220-240V HEATER ASSEMBLY

NOTE: THIS DRAWING AND THE INFORMATION CONTAINED THEREIN IS THE CONFIDENTIAL AND PROPRIETARY PROPERTY OF McElroy Manufacturing, Inc. THE DRAWING IS NOT TO BE REPRODUCED IN ANY MANNER, SUBMITTED TO OUTSIDE PARTIES FOR EXAMINATION, OR USED DIRECTLY OR INDIRECTLY FOR THE PURPOSES OTHER THAN THOSE FOR WHICH IT WAS FURNISHED WITHOUT WRITTEN PERMISSION OF McElroy Manufacturing, Inc.

NOTES:

1. BURN IN HEATER PER ES370 AND TEST PER ES371.
2. INSTALL WITH HIGH TEMP. ANTI-SEIZE COMPOUND.
3. TAPE RTD WIRES TO ADJACENT TERMINAL TO PREVENT RTD MOVEMENT.
4. COVER CONNECTOR BACKSHELL AND CABLE END WITH ITEM #81 SHRINK TUBING





McElroy Manufacturing, Inc.

The leader by design.

Tulsa, Oklahoma U.S.A.

DRAWN: FAW

CHECK: BWJ

APPRV'D: DWP

DATE: 04/10/07

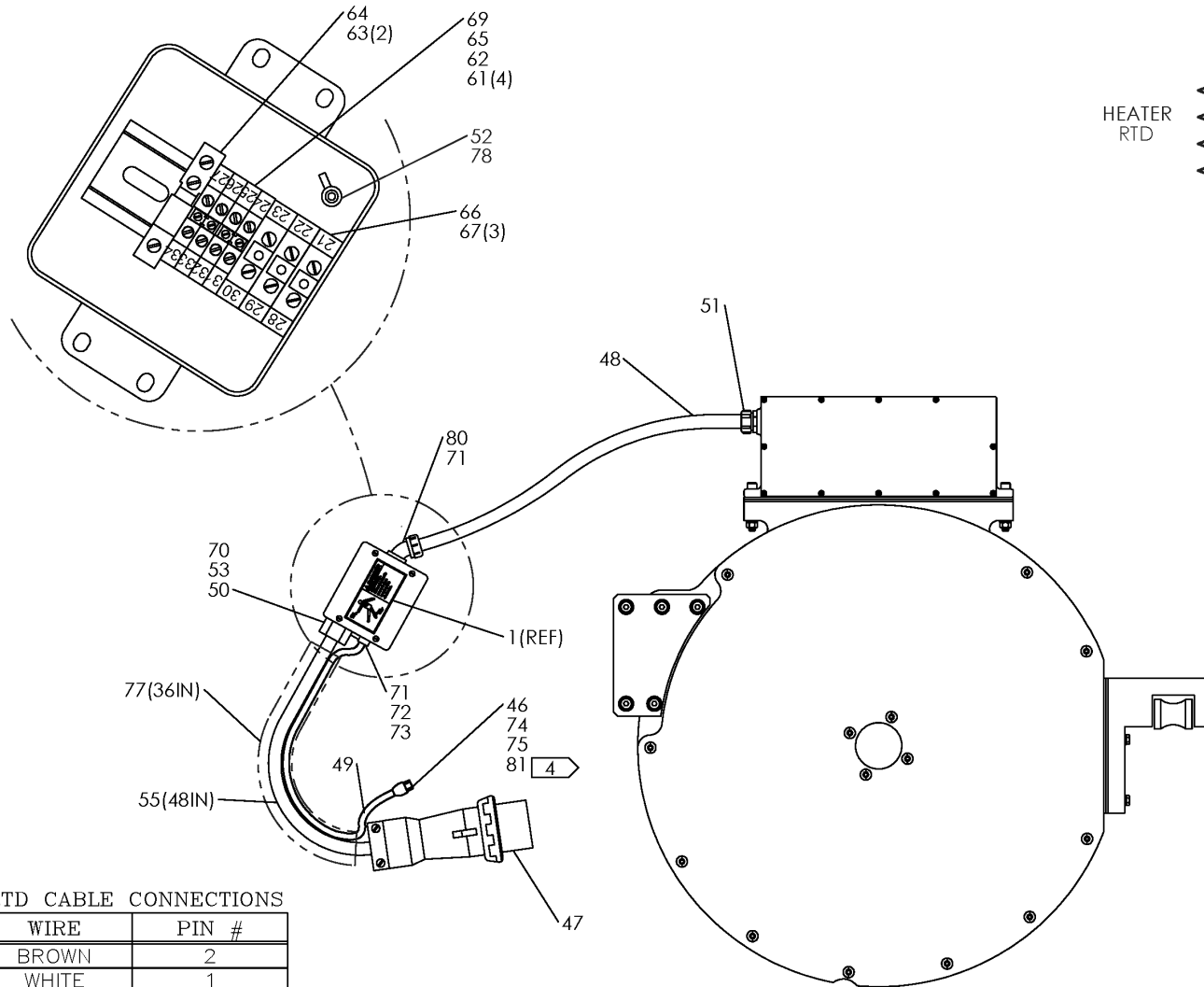
SHT No: 1B

REV No: L

PART No: T9001201

TracStar® 900 220-240V HEATER ASSEMBLY

NOTE: THIS DRAWING AND THE INFORMATION CONTAINED THEREIN IS THE CONFIDENTIAL AND PROPRIETARY PROPERTY OF McElroy Manufacturing, Inc. THE DRAWING IS NOT TO BE REPRODUCED IN ANY MANNER, SUBMITTED TO OUTSIDE PARTIES FOR EXAMINATION, OR USED DIRECTLY OR INDIRECTLY FOR THE PURPOSES OTHER THAN THOSE FOR WHICH IT WAS FURNISHED WITHOUT WRITTEN PERMISSION OF McElroy Manufacturing, Inc.



RTD CABLE CONNECTIONS

WIRE	PIN #
BROWN	2
WHITE	1
GREEN	5
YELLOW	4
PINK	N/C
GRAY	N/C



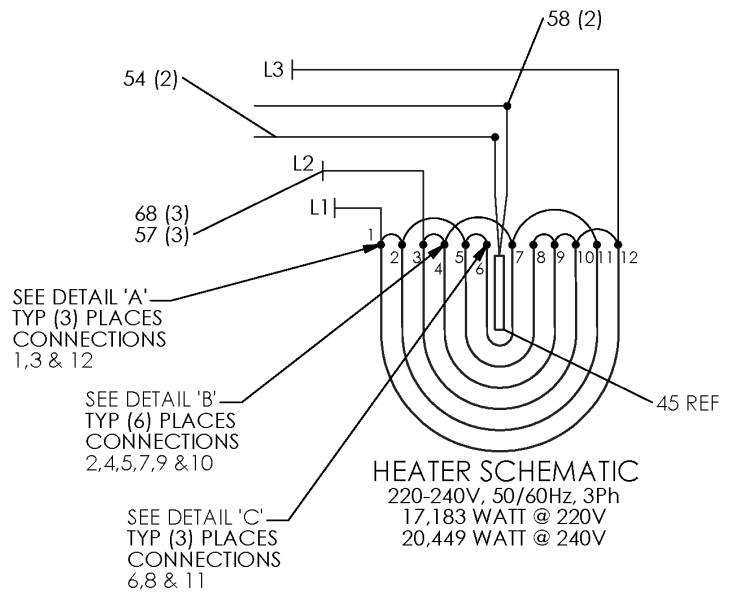
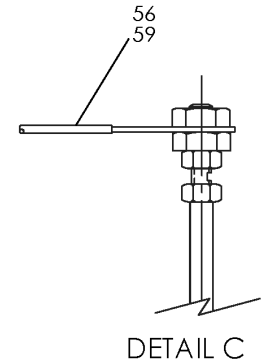
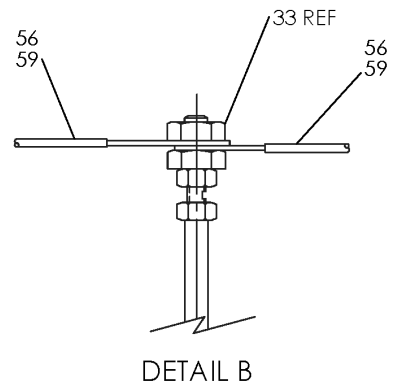
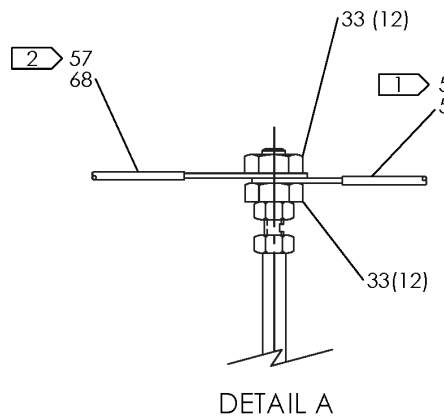
McElroy Manufacturing, Inc.
The leader by design.
Tulsa, Oklahoma U.S.A.

DRAWN: FAW CHECK: BWJ APPR'D: DWP DATE: 04/10/07 SHT No: 1C REV No: L PART No: T9001 201

TracStar® 900 220-240V HEATER ASSEMBLY

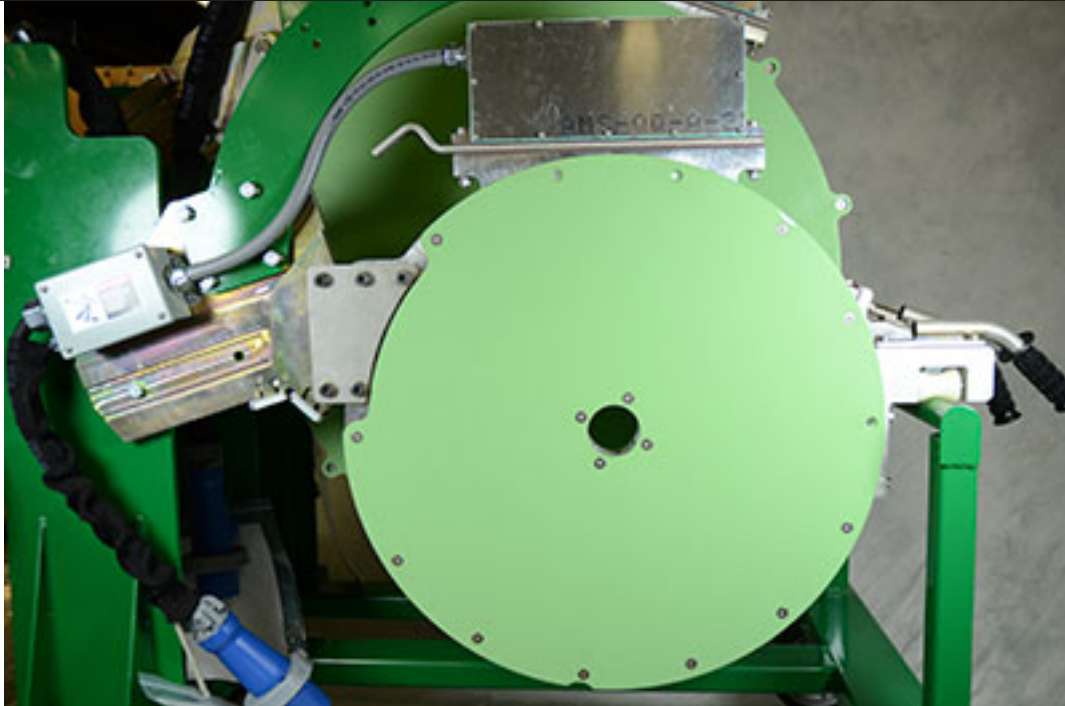
NOTE: THIS DRAWING AND THE INFORMATION CONTAINED THEREIN IS THE CONFIDENTIAL AND PROPRIETARY PROPERTY OF McElroy Manufacturing, Inc. THE DRAWING IS NOT TO BE REPRODUCED IN ANY MANNER, SUBMITTED TO OUTSIDE PARTIES FOR EXAMINATION, OR USED DIRECTLY OR INDIRECTLY FOR THE PURPOSES OTHER THAN THOSE FOR WHICH IT WAS FURNISHED WITHOUT WRITTEN PERMISSION OF McElroy Manufacturing, Inc.

- NOTES:
1. ATTACH ITEM 59 (RING TERMINALS) TO ITEM 56 (WIRE) BY CRIMPING THE SEAM SIDE WITH AMP TOOL #46447 (MMI-CR06).
 2. ATTACH ITEM 68 (RING TERMINALS) TO ITEM 57 (WIRE) BY CRIMPING THE SEAM SIDE WITH AMP TOOL #69355 (MMI-CR26).
 3. ITEMS SHOWN IN PARENTHESIS REFLECT QUANTITIES IN A LOCAL GROUP AND MAY NOT INDICATE TOTAL ASSEMBLY QUANTITIES.



McElroy Manufacturing Parts List

Part Number: T9001201 TracStar 900 220-240V Heater Assembly



TracStar 900 220-240V Heater Assembly

Part Number T9001201 Component List

Item	Component	Description	Quantity	Unit	Price
1	829201	Danger High Voltage Label	1.0	EA	3.97
2	2410602	Term Enclosure Cover Gasket	1.0	EA	36.15
3	2410603	Terminal Enclosure Gasket	2.0	EA	20.93
4	2413401	Support Roller	1.0	EA	66.18
5	3602923	BP Htr Body	1.0	EA	12,552.00
6	3603102	Htr Terminal Enclosure	1.0	EA	572.00
7	3603103	Htr Terminal Enclosure Cover	1.0	EA	116.00
8	3604703	Htr&pivot Arm Splice Plate	2.0	EA	176.00
9	3613001	Htr Roller Housing	1.0	EA	806.00
10	3613102	Htr Gasket	2.0	EA	9.04
11	3613201	Roller Housing Roller Pin	1.0	EA	27.04
12	3613303	Htr Splice Plate Nut	5.0	EA	80.99
13	3617201	Butt Plate	2.0	EA	3,488.00
14	3617301	BP Htr Coupling Nut	14.0	EA	16.51
15	T2403201	Cushion Mounting Bracket	2.0	EA	32.54
16	T2403301	Nylon Pad	2.0	EA	55.54
17	T2403503	Lifting Arm	1.0	EA	295.00
18	T9024901	Heater Arm	1.0	EA	2,754.00
19	T9025701	Stripper Bar Attachment Brkt	1.0	EA	198.00
20	T9026101	Heater Handle Gasket	1.0	EA	58.14
21	T9026001	Heater Handle Wld	1.0	EA	253.00
22	T9026901	Large Heater Coupling Nut	1.0	EA	149.00
23	T9027104	Heater Box Wld	1.0	EA	337.00
24	MAN00054	5/16-18NCX1LG Hhcs SS	3.0	EA	1.01
25	MAB00104	1/2-13NCX1-3/4LG Hhcs	4.0	EA	1.14
26	MAH00046	#10-24NCX1/2LG Shcs SS	4.0	EA	1.07
27	MAE00117	1/2-13NCX1LG Bhscs SS	5.0	EA	1.82
28	MAH00077	1/4-20NCX3/4LG Fhscs SS (Effective to 3/6/17)	4.0	EA	1.09
28	MAN00026	1/4-20NCX1LG Fhscs SS	4.0	EA	0.99
29	MAH00081	#10-32NFX1/2LG Shcs SS	12.0	EA	0.96
30	MAH00084	5/16-18NCX1-1/2LG Shcs SS	4.0	EA	2.68

McElroy Manufacturing Parts List

Part Number: T9001201 TracStar 900 220-240V Heater Assembly

31	MAH00086	3/8-16NCX2-3/4LG Shcs SS (Effective to 3/6/17)	2.0 EA	1.65
31	MAH00071	3/8-16NCX2-1/2LG Shcs SS	2.0 EA	2.18
32	MAH00142	5/16-18NCX1LG Fhscs SS	34.0 EA	0.81
33	MBA00004	#10-24NC Hex Nut Stl PL	24.0 EA	0.31
34	MBA00007	3/8-16NC Fnsh Hex Nut Stl PL	2.0 EA	0.28
35	MBA00009	1/2-13NC Fnsh Hex Nut Stl PL	6.0 EA	0.44
36	MBE00004	#10 Reg Splt Lck Washer Stl PL	4.0 EA	0.10
37	MBE00006	5/16 Reg Splt Lck Wshr Stl PL	7.0 EA	0.10
38	MBE00007	3/8 Reg Splt Lck Wshr Stl PL	2.0 EA	0.11
39	MBE00009	1/2 Reg Splt Lck Washer Stl PL	11.0 EA	0.14
41	MFA00014	6MPT Plug	1.0 EA	4.36
42	MJJ00009	1" Black Gloss Hand Grip	1.0 EA	3.04
43	MJK00002	2.5LG,150-650DEG F Thermometer	1.0 EA	41.71
44	MJQ00287	1/16X5X13-1/4 Gasket	1.0 EA	13.08
45	MKI00002	3X3/16 316SS 100OHM Plat Rtd	1.0 EA	109.00
46	MQF00227	6 Posn Pin Insert	1.0 EA	32.68
47	MLF00044	Elec Plug	1.0 EA	533.00
48	MLI00029	High/low Temp 1/2 Flex Conduit (Effective 10/17/11 to 1/27/16)	1.17 FT	4.93
48	T9049501	1/2" X 16" Flex Conduit	1.0 EA	52.86
49	MLE00059	#20, 3TP Shielded Cable	4.0 FT	4.55
50	MLJ00007	1" Seal Ring	1.0 EA	6.00
51	MLJ00012	1/2 Str Conduit Connector	1.0 EA	13.84
52	MLM00198	6 X #10 Ring Terminal	1.0 EA	4.85
53	MLK00016	1" Strain Relief Connector	1.0 EA	43.53
54	MLL00004	#18 Type Tggt Elec Wire	8.5 FT	2.37
55	MLL00007	#6/4 Type Soow Cable	4.0 FT	12.69
56	MLL00025	#12 Type Tggt Elec Wire	3.0 FT	4.75
57	MLL00043	#8 Type Tggt Elec Wire	14.5 FT	7.61
58	MLM00012	14-16 Hi-temp Butt Splice	2.0 EA	0.95
59	MLM00024	10-12 X #10 Hi-temp Ring Term	18.0 EA	10.95
60	MLM00037	14-1/0AWG X 1/4 Ground Lug	1.0 EA	6.86
61	MLM00051	30A Terminal Block	4.0 EA	7.46
62	MLM00052	Bridge Bar	0.4 EA	8.06
63	MLM00055	End Cover	2.0 EA	3.49
64	MLM00056	End Clamp	1.0 EA	5.00
65	MLU00022	ZB6 Marker 21-30	1.0 EA	3.84
66	MLU00036	ZB10 Marker 21-30	1.0 EA	6.62
67	MLM00068	65A Terminal Block	3.0 EA	18.55
68	MLM00117	8 X #10 Hi-temp Ring Terminal	3.0 EA	8.73
69	MLU00023	ZB6 Marker 31-40	1.0 EA	3.94
70	MLN00350	1" Conduit Lock Nut	1.0 EA	1.37
71	MLJ00004	1/2 Seal Ring	2.0 EA	4.12
72	MLK00022	1/2 Strain Relief Connector	1.0 EA	20.36
73	MLN00100	1/2" Conduit Lock Nut	1.0 EA	1.22
74	MQF00225	Gland & Shield Adapter	1.0 EA	22.62
75	MQF00231	Coupler Connector	1.0 EA	44.69
76	MAB00174	1/2-13NCX3-1/2LG Hhcs	2.0 EA	2.65
77	MFL00042	1.85 ID Hose Sleeve	3.0 FT	6.38
78	MAH00004	#10-32NFX3/8LG Phsms	1.0 EA	0.32
79	MBH00078	Dowel Nut	4.0 EA	1.42
80	MLJ00006	1/2 X 45DEG Conduit Connector	1.0 EA	19.24
81	MLW00057	1" Red 3:1 Adh Shrink Tubing	2.0 IN	1.65

Please visit <https://fusion.mcelroy.com/parts> to purchase parts or for more information.