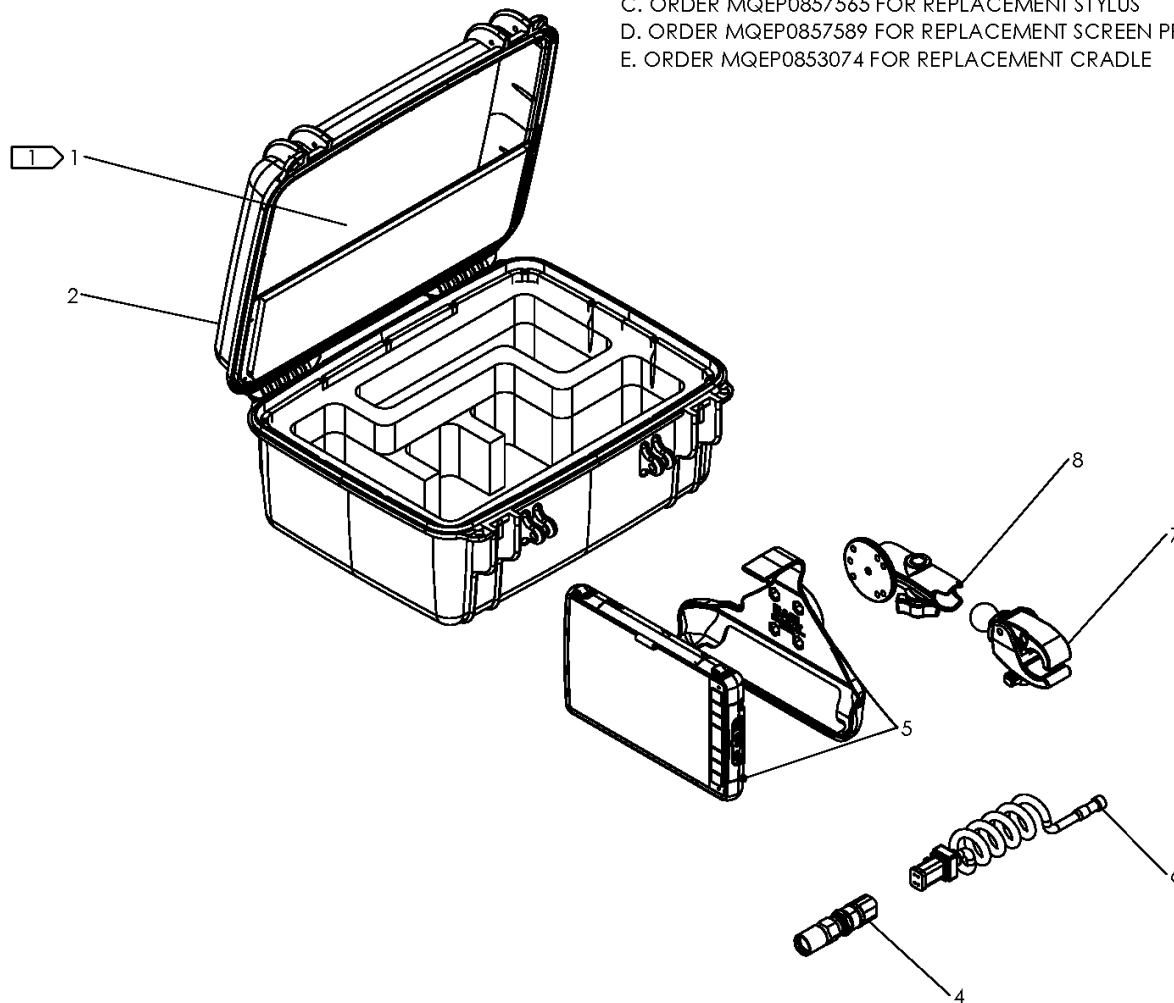


## Datalogger® 7 Package

NOTE: THIS DRAWING AND THE INFORMATION CONTAINED THEREIN IS THE CONFIDENTIAL AND PROPRIETARY PROPERTY OF McElroy Manufacturing, Inc. THE DRAWING IS NOT TO BE REPRODUCED IN ANY MANNER, SUBMITTED TO OUTSIDE PARTIES FOR EXAMINATION, OR USED DIRECTLY OR INDIRECTLY FOR THE PURPOSES OTHER THAN THOSE FOR WHICH IT WAS FURNISHED WITHOUT WRITTEN PERMISSION OF McElroy Manufacturing, Inc.

## NOTES:

1. AFFIX LABEL TO TOP OF CASE IN THE RECESSED AREA.
2. PLACE Datalogger® CALIBRATION SHEET, PROTECTIVE FILM, TABLET QUICK START GUIDE AND STYLUS IN PLASTIC BAG AND PLACE IN LID DIVIDER.
3. PLACE Datalogger® INSERT CARD ON TOP OF Datalogger® SCREEN
  - A. ORDER MQEP0853128 FOR REPLACEMENT BATTERY
  - B. ORDER MQEP0857569 FOR REPLACEMENT AC WALL CHARGER
  - C. ORDER MQEP0857565 FOR REPLACEMENT STYLUS
  - D. ORDER MQEP0857589 FOR REPLACEMENT SCREEN PROTECTOR
  - E. ORDER MQEP0853074 FOR REPLACEMENT CRADLE



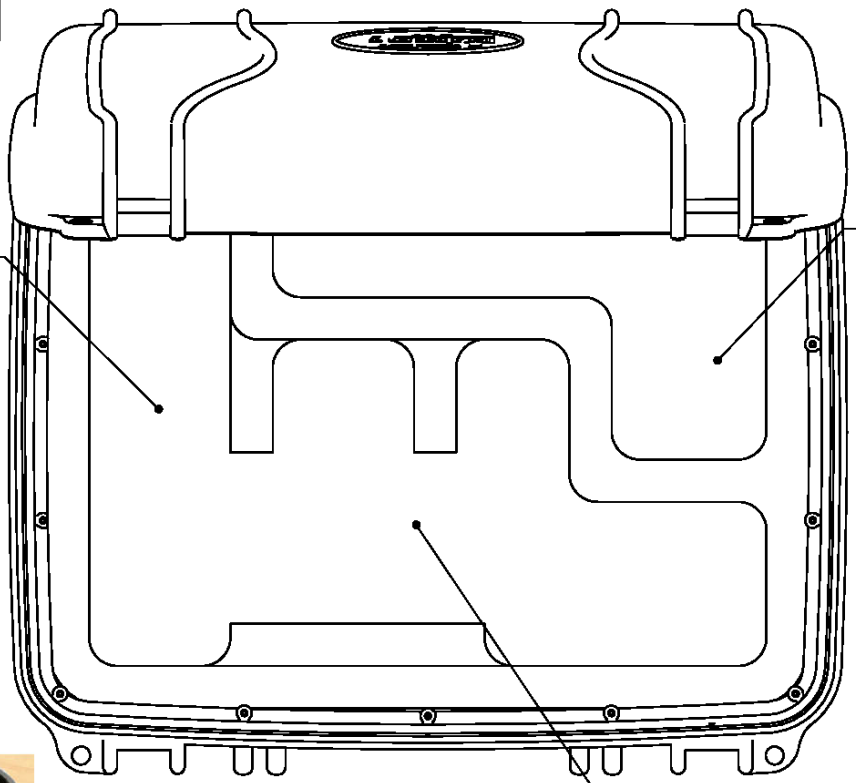
## Datalogger® 7 Package

NOTE: THIS DRAWING AND THE INFORMATION CONTAINED THEREIN IS THE CONFIDENTIAL AND PROPRIETARY PROPERTY OF McElroy Manufacturing, Inc. THE DRAWING IS NOT TO BE REPRODUCED IN ANY MANNER, SUBMITTED TO OUTSIDE PARTIES FOR EXAMINATION, OR USED DIRECTLY OR INDIRECTLY FOR THE PURPOSES OTHER THAN THOSE FOR WHICH IT WAS FURNISHED WITHOUT WRITTEN PERMISSION OF McElroy Manufacturing, Inc.

PLACE PRESSURE AND TRANSDUCER CABLE HERE

PLACE AC WALL ADAPTER AND PLUGS HERE

PLACE TABLET WITH CRADLE AND ARM ATTACHED HERE



## McElroy Manufacturing Parts List

**Part Number:** DLP0857716 Datalogger 7 Package

### Part Number DLP0857716 Component List

| Item | Component   | Description  | Quantity | Unit | Price    |
|------|-------------|--|----------|------|----------|
| 1    | DLP0844217  | DL 7 Case Label                                      | 1.0      | EA   | 4.94     |
| 2    | DLP0855912  | DL 7 Case W/ Foam                                    | 1.0      | EA   | 270.00   |
| 3    | DLP0857596  | Datalogger 7 Quick Start Guide (Effective to 7/6/22) | 1.0      | EA   | 6.89     |
| 3    | DLP0958415  | Datalogger Insert Card                               | 1.0      | EA   | 0.00     |
| 4    | DLP0857704  | Datalogger 7 Pressure Transducer Assembly            | 1.0      | EA   | 642.00   |
| 5    | DLP0857708  | Datalogger 7 Tablet                                  | 1.0      | EA   | 6,502.00 |
| 6    | MLEP0853152 | Datalogger Transducer Cable                          | 1.0      | EA   | 227.00   |
| 7    | MQE00222    | Claw Mount   | 1.0      | EA   | 48.00    |
| 8    | MQE00223    | Arm With Round Base                                  | 1.0      | EA   | 33.17    |

Please visit <https://fusion.mcelroy.com/parts> to purchase parts or for more information.

