



McElroy Manufacturing, Inc.
The leader by design.
Tulsa, Oklahoma U.S.A.

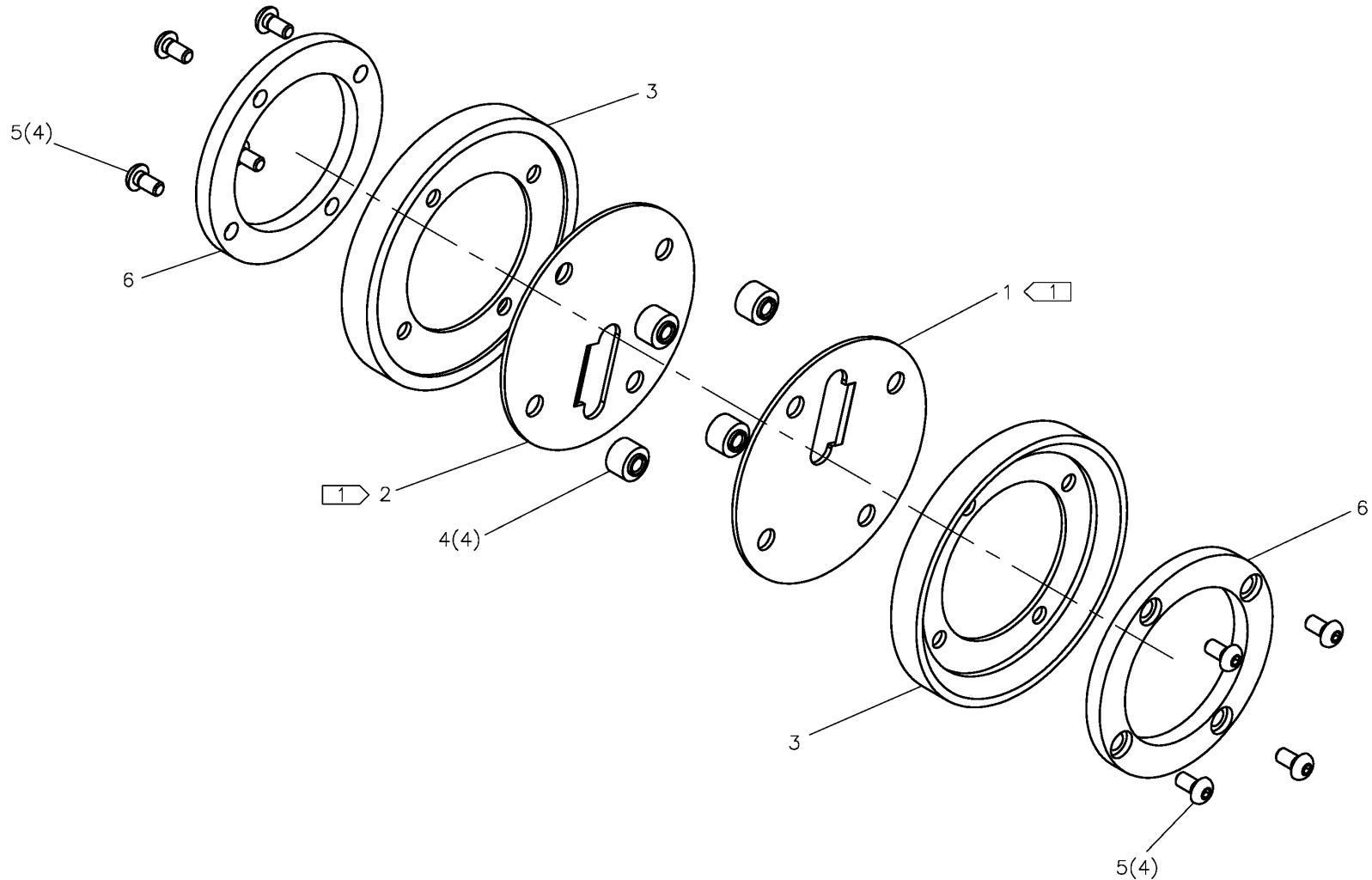
DRAWN: ALK CHECK: MLM APPRV'D: SWB DATE: 01/07/02 SHT No: 1 REV No: B PART No: CTS01701

Mini-Mc FACER ASSEMBLY

NOTE: THIS DRAWING AND THE INFORMATION CONTAINED THEREIN IS THE CONFIDENTIAL AND PROPRIETARY PROPERTY OF McElroy Manufacturing, Inc. THE DRAWING IS NOT TO BE REPRODUCED IN ANY MANNER, SUBMITTED OUTSIDE PARTIES FOR EXAMINATION, OR USED DIRECTLY OR INDIRECTLY FOR THE PURPOSES OTHER THAN THOSE FOR WHICH IT WAS FURNISHED WITHOUT WRITTEN PERMISSION OF McElroy Manufacturing, Inc.

NOTES:

- 1. INSTALL SHARP EDGE OF CUTTER HOLE NEXT TO HUB.
- 2. ITEMS SHOWN IN PARENTHESIS REFLECT QUANTITIES IN A LOCAL GROUP AND MAY NOT INDICATE TOTAL ASSEMBLY QUANTITIES.



McElroy Manufacturing Parts List

Part Number: CTS01701 MiniMc Facer Assembly

Part Number CTS01701 Component List

Item	Component	Description	Quantity	Unit	Price
1	CTS06801	Facer Cutter Disc	1.0	EA	70.28
2	CTS06802	Facer Cutter Disc	1.0	EA	78.51
3	CTS01801	Facer Hub	2.0	EA	0.00
4	CTS15004	Ratchet Fcr Spacer	4.0	EA	18.45
5	MAN00034	#5-40NCX1/4LG Bhscs SS	8.0	EA	0.77
6	CTS15001	Ratchet Fcr Hub	2.0	EA	84.30

Please visit <https://fusion.mcelroy.com/parts> to purchase parts or for more information.

