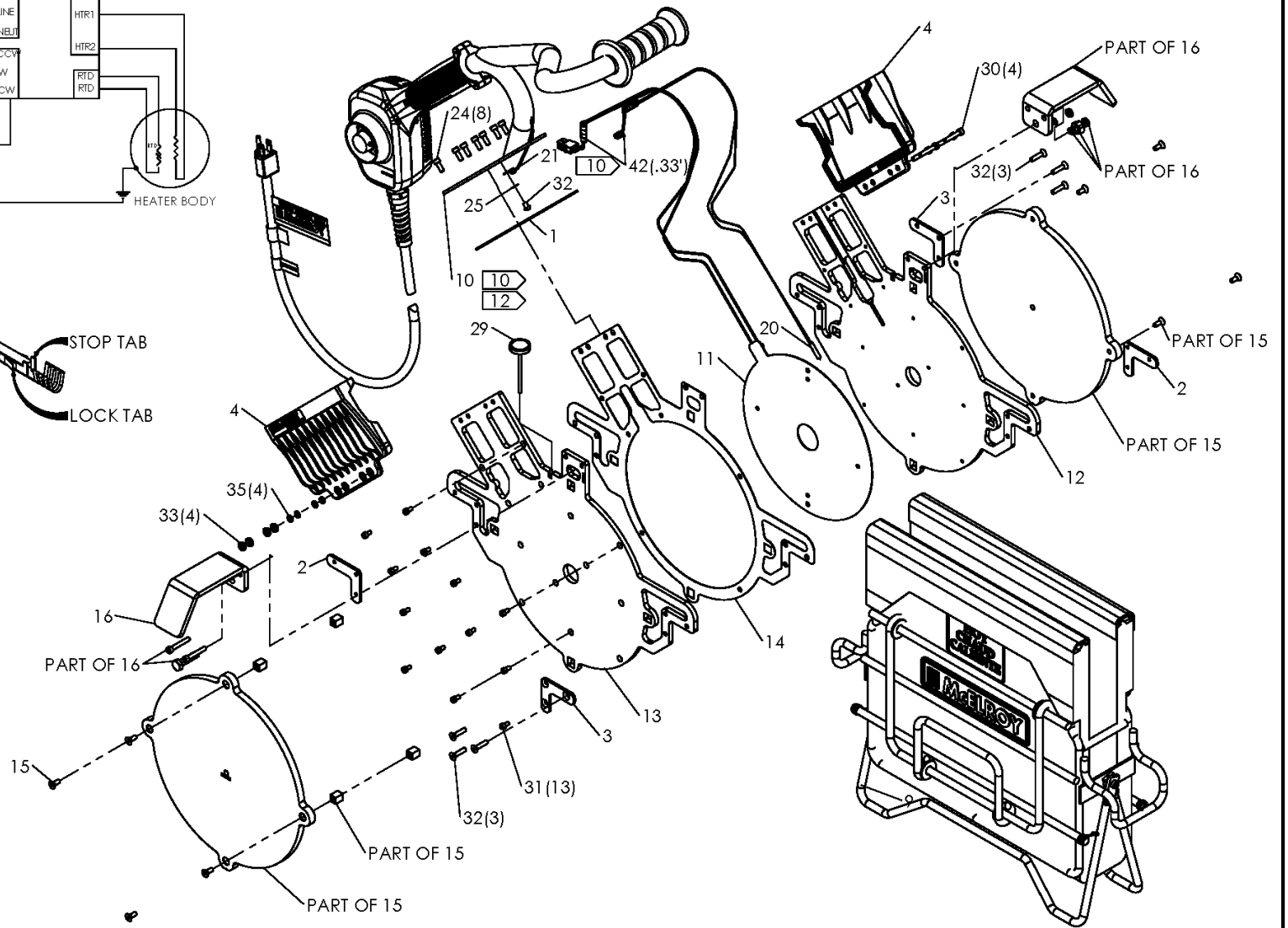
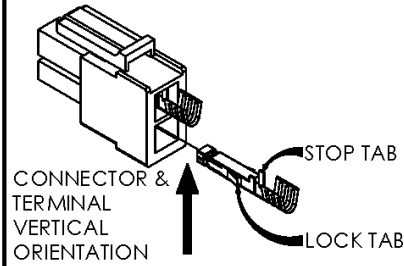
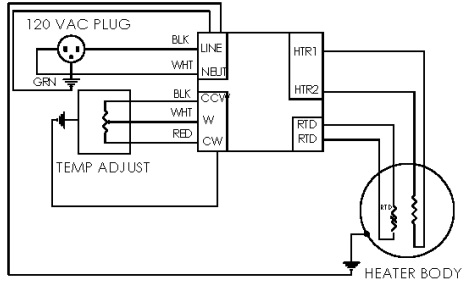


#28 DIPS HEATER ASSEMBLY 100-120V, 50/60HZ, 1Ph

NOTE: THIS DRAWING AND THE INFORMATION CONTAINED THEREIN IS THE CONFIDENTIAL AND PROPRIETARY PROPERTY OF McElroy Manufacturing, Inc. THE DRAWING IS NOT TO BE REPRODUCED IN ANY MANNER, SUBMITTED TO OUTSIDE PARTIES FOR EXAMINATION, OR USED DIRECTLY OR INDIRECTLY FOR THE PURPOSES OTHER THAN THOSE FOR WHICH IT WAS FURNISHED WITHOUT WRITTEN PERMISSION OF McElroy Manufacturing, Inc.



McElroy Manufacturing Parts List

Part Number: 901601 28 DIPS 100-120V,50/60Hz Heater Assembly

Part Number 901601 Component List

Item	Component	Description	Quantity	Unit	Price
1	1808102	Htr Gasket	1.0	EA	4.31
2	1852011	Tapped Htr Guide Rod Sprt Bkt	2.0	EA	22.53
3	1852012	C'sunk Htr Guide Rod Sprt Bkt	2.0	EA	22.53
4	1863102	Htr Terminal Enclosure Half	2.0	EA	44.10
5	437401	Heat Sink Gasket	1.0	EA	0.00
6	8163210	Electrical Safety Test Label	1.0	EA	0.00
7	8163408	Model 901601/02 Part NO Label	1.0	EA	18.44
8	816382	Temperature Scale Label	1.0	EA	6.00
9	821802	Heater Bag Assembly	1.0	EA	631.00
10	838007	Heater Handle Wld	1.0	EA	162.00
11	838027	120V Mica/foil Htr Elem W/conn	1.0	EA	300.00
12	848703	Right Heater Body	1.0	EA	611.00
13	848704	Left Heater Body	1.0	EA	611.00
14	848705	Heater O.d. Spacer	1.0	EA	153.00
15	A848706	8 DIPS Heater Butt Plate Kit	1.0	EA	504.00
16	A848707	Heater Stripper Bar Kit	1.0	EA	130.00
17	T5030006	Heater Control Pcb Assy (Effective to 12/15/20)	1.0	EA	0.00
17	T5030009	Heater Control Pcb Assy	1.0	EA	0.00
18	T5030007	Potentiometer Assy	1.0	EA	20.85
19	T5030108	Heater Handle/enclosure	1.0	EA	19.78
20	T5077603	Rtd W/ Conn X 26"	1.0	EA	79.61
21	T5077902	Ground Wire W/ Term X 17"	1.0	EA	25.51
22	T5078102	15A/125V Pwr Cord W/plug&conn	1.0	EA	148.52
23	MAH00030	#10-24NCX1/4LG Rhsms SS	1.0	EA	0.29
24	MAH00046	#10-24NCX1/2LG Shcs SS	8.0	EA	1.07
25	MAH00296	#6-32X1/4 Phil Pan Sealg Scr	1.0	EA	1.58
26	MAL00010	#6-19X3/4LG Torx T15 Pan Hdscr	4.0	EA	0.49
27	MAL00011	#6-19X1/4LG Torx T15 Pan Hdscr (Effective to 1/15/20)	2.0	EA	0.63
27	MAL00034	#6-19X1/4LG Phil Pan Hdscr	2.0	EA	0.06
28	MAL00030	#6-19X3/8LG Torx T15 Pan Hdscr (Effective to 1/15/20)	4.0	EA	0.07
28	MAL00035	#6-19X3/8LG Phil Pan Hdscr	4.0	EA	0.08
29	MAL00031	#6-19X1-1/2'LG Torx T15 Panscr	2.0	EA	0.19
30	MAN00008	#10-24NCX1LG Shcs SS	4.0	EA	1.04
31	MAN00023	#8-32NCX5/16LG Shcs SS	13.0	EA	0.59
32	MAN00036	#10-32NFX7/8LG Fhscs SS	6.0	EA	0.79
33	MBA00004	#10-24NC Hex Nut Stl PL	4.0	EA	0.31
34	MBA00067	3/8-32NEF X 0.22 X 1/4 Sealnut	1.0	EA	3.45
35	MBE00004	#10 Reg Splt Lck Washer Stl PL	4.0	EA	0.10
36	MBG00072	#10 Int Tooth Lock Washer	1.0	EA	0.29
37	MDL00018	O-ring	1.0	EA	0.56
38	MDL00373	.040DIA Buna O-ring Cord Stock	2.3	FT	1.42
39	MJJ00009	1" Black Gloss Hand Grip	1.0	EA	3.04
40	MJJ00023	Control Knob	1.0	EA	4.12
41	MJK00002	2.5LG,150-650DEG F Thermometer	1.0	EA	41.71
42	MLN00219	Fiberglass Tape (per Ft)	0.66	FT	0.44
43	MQI00111	Heatsink	1.0	EA	0.00

Please visit <https://fusion.mcelroy.com/parts> to purchase parts or for more information.