



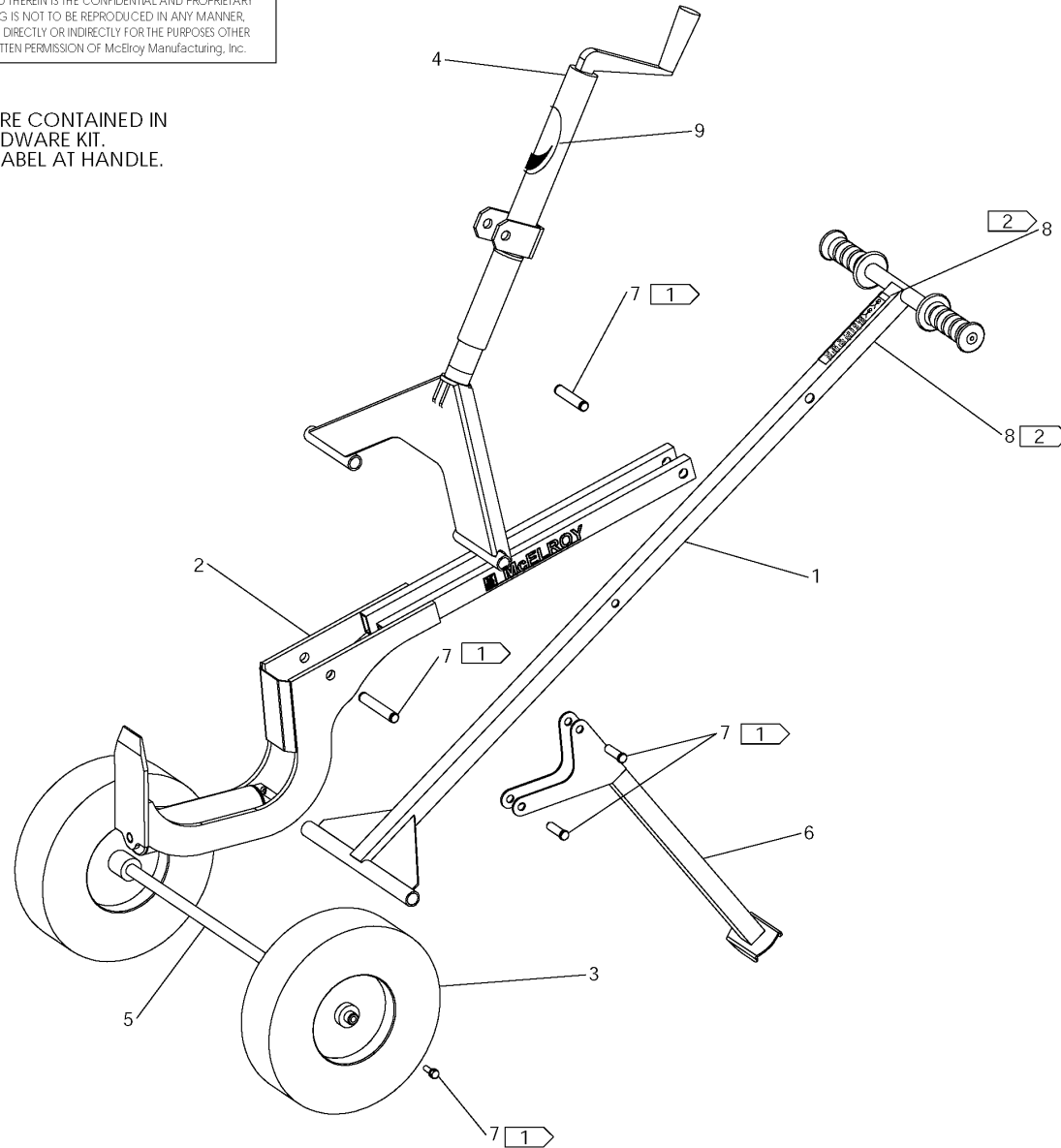
McElroy Manufacturing, Inc.
The leader by design.
Tulsa, Oklahoma U.S.A.

DRAWN: RLE	CHECK: DWP	APPRV'D: JRP	DATE: 5/2/03	DWG No: 864200	SHT No: 1	REV No: F	PART No: 864201
2-8" PolyPorter™ PIPE HANDLER							CAD No: 864201

NOTE: THIS DRAWING AND THE INFORMATION CONTAINED THEREIN IS THE CONFIDENTIAL AND PROPRIETARY PROPERTY OF McElroy Manufacturing, Inc. THE DRAWING IS NOT TO BE REPRODUCED IN ANY MANNER, SUBMITTED TO OUTSIDE PARTIES FOR EXAMINATION, OR USED DIRECTLY OR INDIRECTLY FOR THE PURPOSES OTHER THAN THOSE FOR WHICH IT WAS FURNISHED WITHOUT WRITTEN PERMISSION OF McElroy Manufacturing, Inc.

NOTES:

1. ALL HARDWARE ITEMS ARE CONTAINED IN A864201 PolyPorter HARDWARE KIT.
2. POSITION WITH TOP OF LABEL AT HANDLE.



McElroy Manufacturing Parts List

Part Number: 864201 2-8" PolyPorter Pipe Handler

Part Number 864201 Component List

Item	Component	Description	Quantity	Unit	Price
1	864202	Polyporter Handle Assy W/grips	1.0	EA	58.05
2	864203	Polyporter Hook Arm W/r/r Assy	1.0	EA	155.00
3	864206	Polyporter Wheel Assy W/ Brg	2.0	EA	92.11
4	864204	Polyporter Jack Assy	1.0	EA	174.00
5	864207	Polyporter Axle	1.0	EA	17.24
6	864205	Polyporter Leg Assy	1.0	EA	50.24
7	A864201	Polyporter Hardware Kit	1.0	EA	80.00
8	865201	Safety Label	2.0	EA	29.59
9	865301	Logo Label	1.0	EA	18.00

Please visit <https://fusion.mcelroy.com/parts> to purchase parts or for more information.

