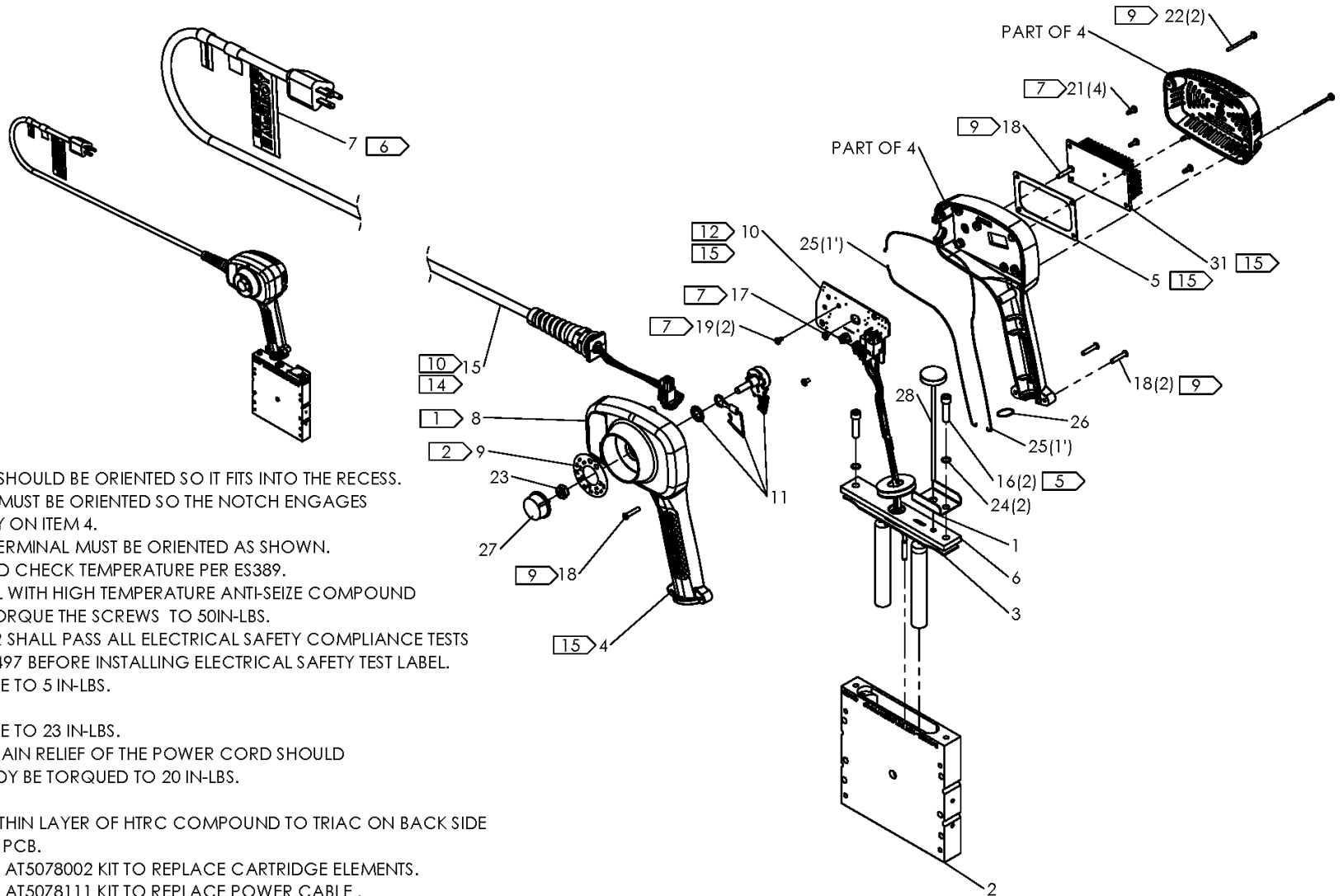


#14 Multi-Mc® SIDEWALL AND SOCKET HEATER ASSEMBLY 100-120V, 50/60Hz, 1Ph

NOTE: THIS DRAWING AND THE INFORMATION CONTAINED THEREIN IS THE CONFIDENTIAL AND PROPRIETARY PROPERTY OF McElroy Manufacturing, Inc. THE DRAWING IS NOT TO BE REPRODUCED IN ANY MANNER, SUBMITTED TO OUTSIDE PARTIES FOR EXAMINATION, OR USED DIRECTLY OR INDIRECTLY FOR THE PURPOSES OTHER THAN THOSE FOR WHICH IT WAS FURNISHED WITHOUT WRITTEN PERMISSION OF McElroy Manufacturing, Inc.

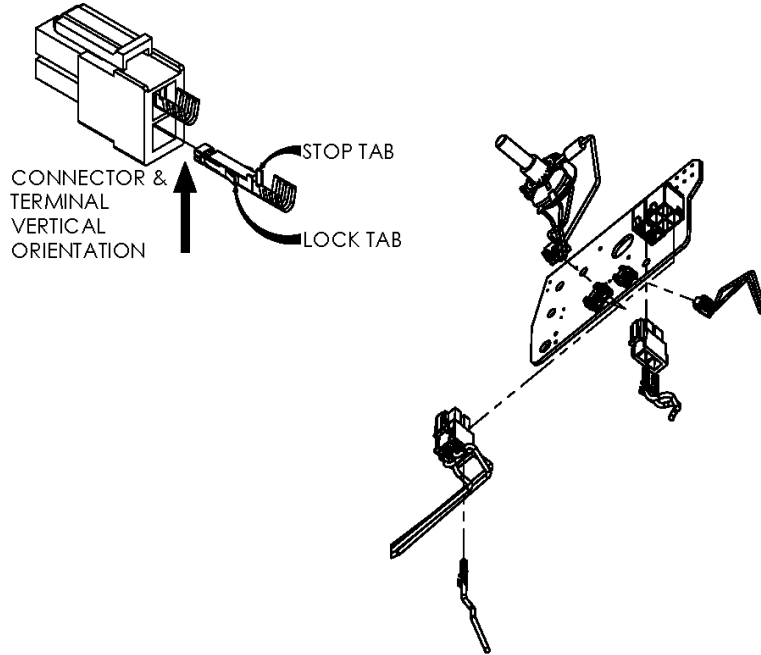
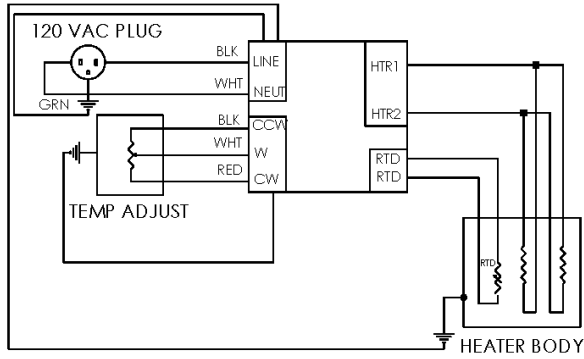


NOTES:

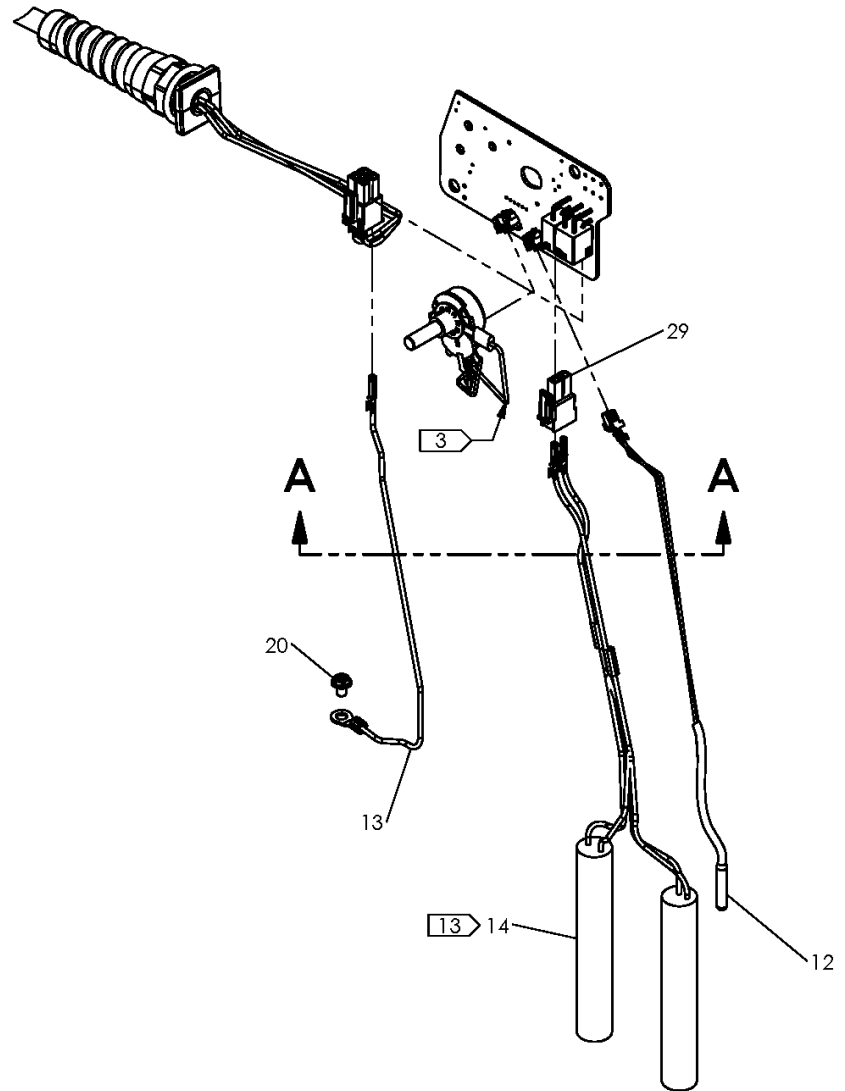
1. ITEM 8 SHOULD BE ORIENTED SO IT FITS INTO THE RECESS.
2. ITEM 9 MUST BE ORIENTED SO THE NOTCH ENGAGES THE KEY ON ITEM 4.
3. RING TERMINAL MUST BE ORIENTED AS SHOWN.
4. SET AND CHECK TEMPERATURE PER ES389.
5. INSTALL WITH HIGH TEMPERATURE ANTI-SEIZE COMPOUND AND TORQUE THE SCREWS TO 50IN-LBS.
6. HEATER SHALL PASS ALL ELECTRICAL SAFETY COMPLIANCE TESTS PER ES497 BEFORE INSTALLING ELECTRICAL SAFETY TEST LABEL.
7. TORQUE TO 5 IN-LBS.
- 8.
9. TORQUE TO 23 IN-LBS.
10. THE STRAIN RELIEF OF THE POWER CORD SHOULD ALREADY BE TORQUED TO 20 IN-LBS.
- 11.
12. APPLY THIN LAYER OF HTRC COMPOUND TO TRIAC ON BACK SIDE OF THE PCB.
13. ORDER AT5078002 KIT TO REPLACE CARTRIDGE ELEMENTS.
14. ORDER AT5078111 KIT TO REPLACE POWER CABLE .
15. COMPONENT MUST BE ORDERED AS PART OF THE T5033301 SUBASSEMBLY

#14 Multi-Mc® SIDEWALL AND SOCKET HEATER ASSEMBLY 100-120V, 50/60Hz, 1Ph

NOTE: THIS DRAWING AND THE INFORMATION CONTAINED HEREIN IS THE CONFIDENTIAL AND PROPRIETARY PROPERTY OF McElroy Manufacturing, Inc. THE DRAWING IS NOT TO BE REPRODUCED IN ANY MANNER, SUBMITTED TO OUTSIDE PARTIES FOR EXAMINATION, OR USED DIRECTLY OR INDIRECTLY FOR THE PURPOSES OTHER THAN THOSE FOR WHICH IT WAS FURNISHED WITHOUT WRITTEN PERMISSION OF McElroy Manufacturing, Inc.



SECTION A-A



McElroy Manufacturing Parts List

Part Number: 469301 14 MultiMc Sidewall & Socket 100-120V Heater Assembly

Part Number 469301 Component List

Item	Component	Description	Quantity	Unit	Price
1	214801	Mlmc Thermal Guard	1.0	EA	6.13
2	424402	Htr Body	1.0	EA	253.00
3	436301	Cover Plate Gasket	1.0	EA	5.60
4	437304	Small Htr Handle/enclosure	1.0	EA	26.57
5	437401	Heat Sink Gasket	1.0	EA	0.00
6	469501	Heater Handle Wld	1.0	EA	75.84
7	8163210	Electrical Safety Test Label	1.0	EA	0.00
8	8163372	Model 469301 Part NO Label	1.0	EA	17.69
9	816382	Temperature Scale Label	1.0	EA	6.00
10	T5030006	Heater Control Pcb Assy (Effective to 12/15/20)	1.0	EA	0.00
10	T5030009	Heater Control Pcb Assy	1.0	EA	0.00
11	T5030007	Potentiometer Assy	1.0	EA	20.85
12	T5077601	Rtd W/ Conn X 10"	1.0	EA	58.48
13	T5077901	Ground Wire W/#10 Term X 10" (Effective to 3/25/20)	1.0	EA	25.51
13	T5077903	Ground Wire W/#8 Term X 10"	1.0	EA	25.51
14	T5078002	120V 2X600W Crtg Htr Asyw/term	1.0	EA	0.00
15	T5078101	13A/120V Pwr Cord W/plug&conn	1.0	EA	72.24
16	MAH00052	1/4-20NC X 3/4"LG Shcs SS (Effective to 6/17/21)	2.0	EA	1.06
16	MAH00055	1/4-20NCX1LG Shcs SS	2.0	EA	0.33
17	MAH00296	#6-32X1/4 Phil Pan Sealg Scr	1.0	EA	1.58
18	MAL00010	#6-19X3/4LG Torx T15 Pan Hdscr	4.0	EA	0.49
19	MAL00011	#6-19X1/4LG Torx T15 Pan Hdscr (Effective to 1/14/20)	1.0	EA	0.63
19	MAL00034	#6-19X1/4LG Phil Pan Hdscr	2.0	EA	0.06
20	MAL00024	#8-32NCX1/4LG Hwhsms SS	1.0	EA	0.33
21	MAL00030	#6-19X3/8LG Torx T15 Pan Hdscr (Effective to 1/14/20)	4.0	EA	0.07
21	MAL00035	#6-19X3/8LG Phil Pan Hdscr	4.0	EA	0.08
22	MAL00031	#6-19X1-1/2"LG Torx T15 Panscr	2.0	EA	0.19
23	MBA00067	3/8-32NEF X 0.22 X 1/4 Sealnut	1.0	EA	3.45
24	MBG00133	1/4" Belleville Spring Wshr SS	2.0	EA	1.30
25	MDL00373	.040DIA Buna O-ring Cord Stock	1.9	FT	1.42
26	MDL00374	O-ring	1.0	EA	0.49
27	MJJ00023	Control Knob	1.0	EA	4.12
28	MJK00001	5LG,150-650DEG F Thermometer	1.0	EA	41.71
29	MLF00175	Mega-fit Rec Conn,	1.0	EA	0.98
30	MLN00219	Fiberglass Tape (per Ft) (Effective to 10/27/19)	0.667	FT	0.44
31	MQI00111	Heatsink	1.0	EA	0.00
32	A424901	14 MultiMc/Socket Fusion Heater Screw&Driver Kit	1.0	EA	40.91

Please visit <https://fusion.mcelroy.com/parts> to purchase parts or for more information.