

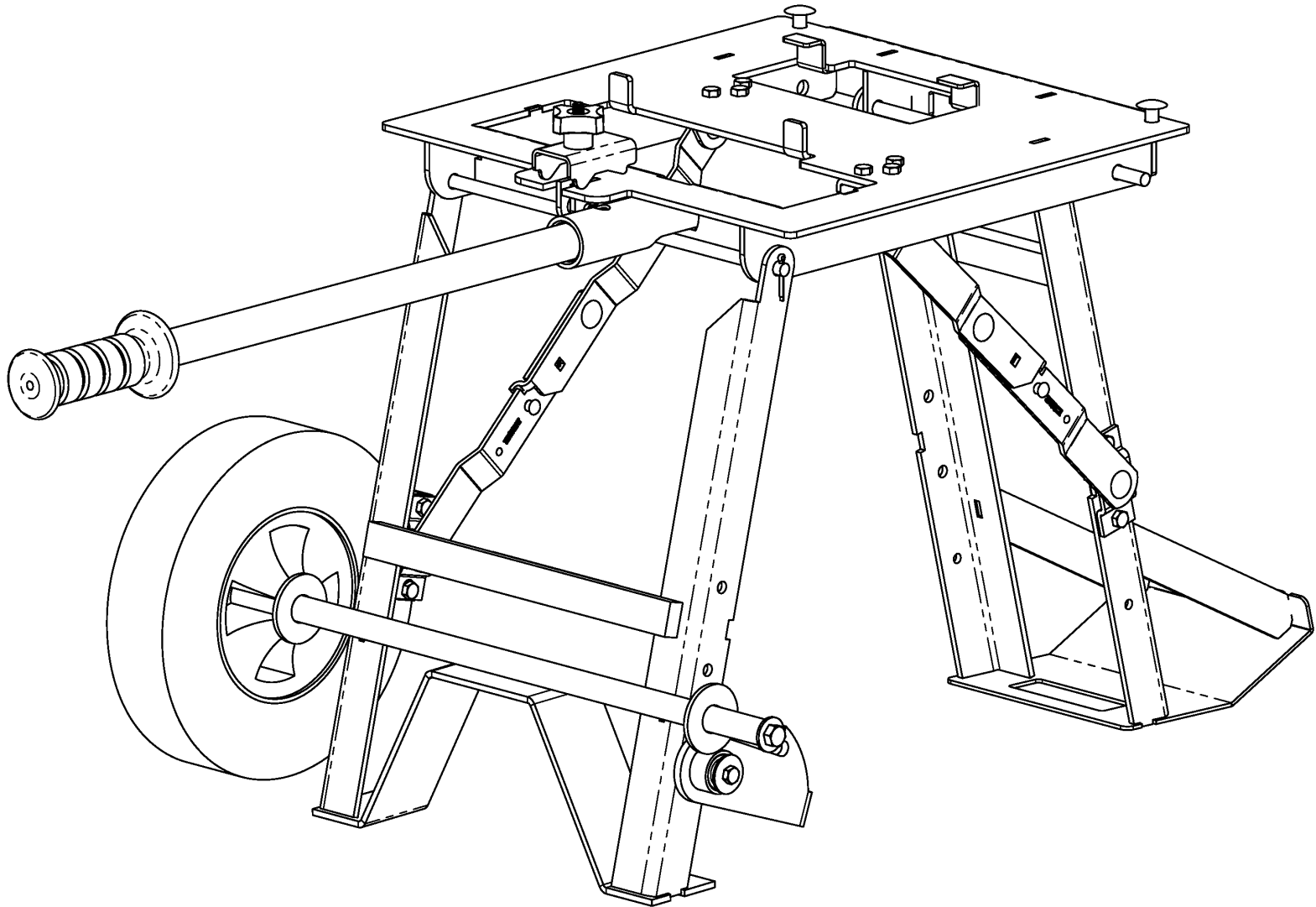


McElroy Manufacturing, Inc.  
The leader by design.  
Tulsa, Oklahoma U.S.A.

DRAWN: ARB	CHECK: MEP	APPRVD: DWP	DATE: 12/12/06	SHT No: 1A	REV No: F	PART No: 439001
------------	------------	-------------	----------------	------------	-----------	-----------------

MANUAL FUSION MACHINE STAND

NOTE: THIS DRAWING AND THE INFORMATION CONTAINED THEREIN IS THE CONFIDENTIAL AND PROPRIETARY PROPERTY OF McElroy Manufacturing, Inc. THE DRAWING IS NOT TO BE REPRODUCED IN ANY MANNER, SUBMITTED TO OUTSIDE PARTIES FOR EXAMINATION, OR USED DIRECTLY OR INDIRECTLY FOR THE PURPOSES OTHER THAN THOSE FOR WHICH IT WAS FURNISHED WITHOUT WRITTEN PERMISSION OF McElroy Manufacturing, Inc.





McElroy Manufacturing, Inc.

The leader by design.

Tulsa, Oklahoma U.S.A.

DRAWN: ARB

CHECK: MEP

APPRVD: DWP

DATE: 12/12/06

SHT No: 1B

REV No: F

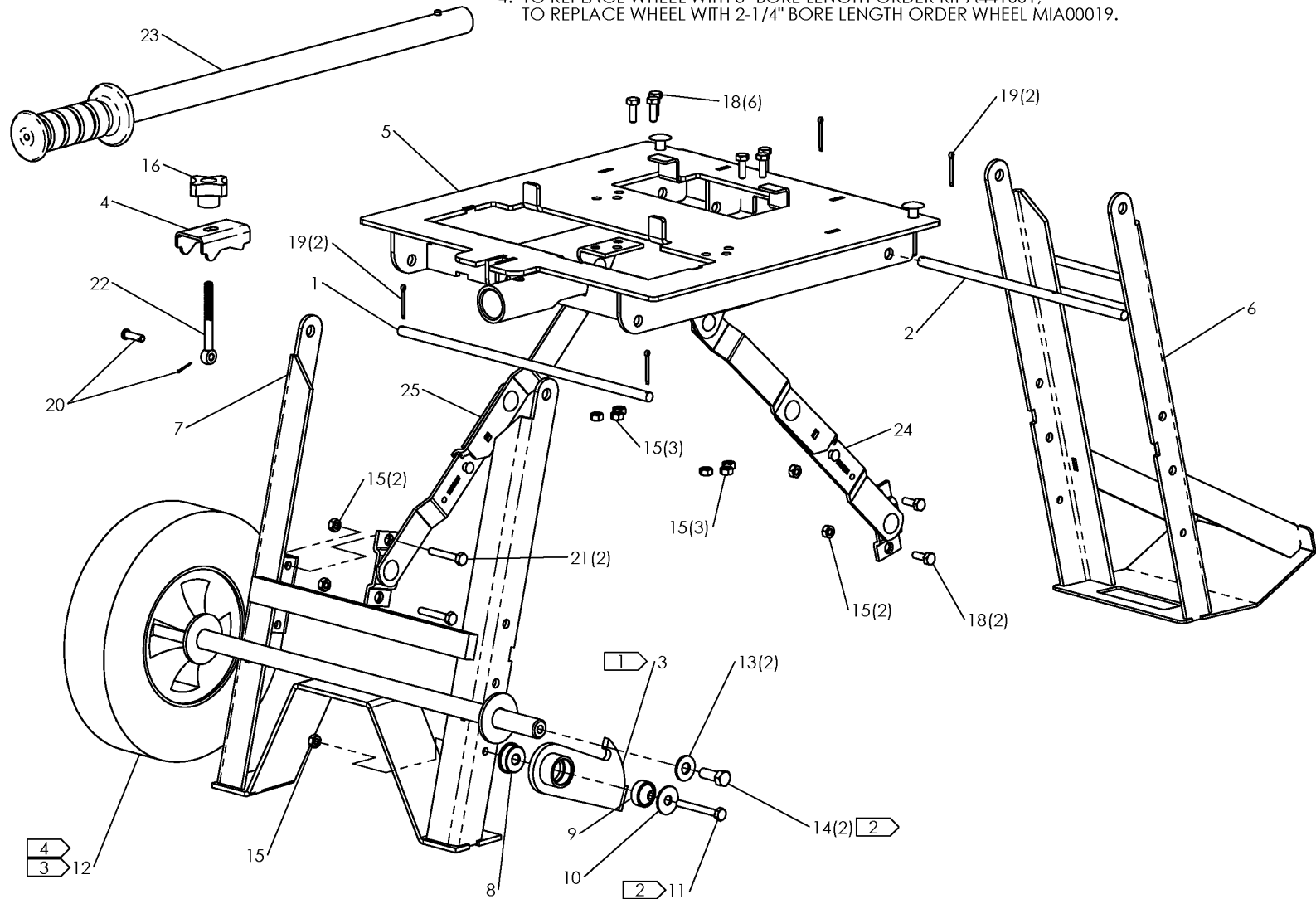
PART No: 439001

### MANUAL FUSION MACHINE STAND

NOTE: THIS DRAWING AND THE INFORMATION CONTAINED THEREIN IS THE CONFIDENTIAL AND PROPRIETARY PROPERTY OF McElroy Manufacturing, Inc. THE DRAWING IS NOT TO BE REPRODUCED IN ANY MANNER, SUBMITTED TO OUTSIDE PARTIES FOR EXAMINATION, OR USED DIRECTLY OR INDIRECTLY FOR THE PURPOSES OTHER THAN THOSE FOR WHICH IT WAS FURNISHED WITHOUT WRITTEN PERMISSION OF McElroy Manufacturing, Inc.

#### NOTES:

1. ORIENT ITEM '3' TO ENGAGE ITEM '2' WHEN ITEM 7 IS FULLY FOLDED.
2. INSTALL WITH MEDIUM STRENGTH THREAD LOCKER.
3. ONLY (1) OF ITEM 12 SHOWN IN EXPLODED VIEW FOR CLARITY.
4. TO REPLACE WHEEL WITH 3" BORE LENGTH ORDER KIT A441001, TO REPLACE WHEEL WITH 2-1/4" BORE LENGTH ORDER WHEEL MIA00019.



## McElroy Manufacturing Parts List

**Part Number:** 439001 Manual Fusion Machine Stand

**Part Number 439001 Component List**

Item	Component	Description	Quantity	Unit	Price
1	439401	Long Hinge Bar	1.0	EA	0.00
2	439501	Short Hinge Bar	1.0	EA	0.00
3	439701	Locking Clasp Wld (Effective 12/20/06 to 1/14/16)	1.0	EA	130.00
3	439703	Locking Clasp Wld	1.0	EA	0.00
4	440501	Latch Bracket	1.0	EA	71.38
5	440201	Top Plate Wld	1.0	EA	0.00
6	440301	Narrow Leg Wld	1.0	EA	0.00
7	440401	Wide Leg Wld (Effective 12/20/06 to 1/14/16)	1.0	EA	0.00
7	440405	Wide Leg Wld	1.0	EA	0.00
8	MDM00290	Ball Bearing	1.0	EA	16.55
9	MDS00006	Shock Mount	1.0	EA	29.11
10	MBG00031	1/4 Fender Washer Stil PL	1.0	EA	0.30
11	MAB00009	1/4-20NCX2-1/4LG Hhcs	1.0	EA	0.71
12	MIA00019	3/4 BR Bush Bore Wheel Assy	2.0	EA	48.12
13	MBF00007	3/8 TY 'a' Wide FL Wshr Stil PL	2.0	EA	0.10
14	MAB00064	3/8-16NCX1LG Hhcs	2.0	EA	0.41
15	MBC00005	1/4-20NC Fnsh Hex Nyl Lck Nut	11.0	EA	0.78
16	MJP00036	Four Prong Knob	1.0	EA	19.15
17	MJQ00415	Folding Table Leg Brace Set (Effective 12/20/06 to 1/29/13)	1.0	EA	0.00
18	MAB00003	1/4-20NCX3/4LG Hhcs	8.0	EA	0.30
19	MCH00001	1/8DIA X1LG Cotter Pin	4.0	EA	0.11
20	MCF00039	1/4DIA X55/64 Grip Clv Pin Z PL	1.0	EA	1.74
21	MAB00007	1/4-20NCX1-3/4LG Hhcs	2.0	EA	0.44
22	MJB00013	Eye Bolt	1.0	EA	19.39
23	402801	24Long Lever Handle Assembly	1.0	EA	42.56
24	MJP00058	Right Hand Hinge	1.0	EA	34.47
25	MJP00059	Left Hand Hinge	1.0	EA	34.47

Please visit <https://fusion.mcelroy.com/parts> to purchase parts or for more information.