



McElroy Manufacturing, Inc.
The leader by design.
Tulsa, Oklahoma U.S.A.

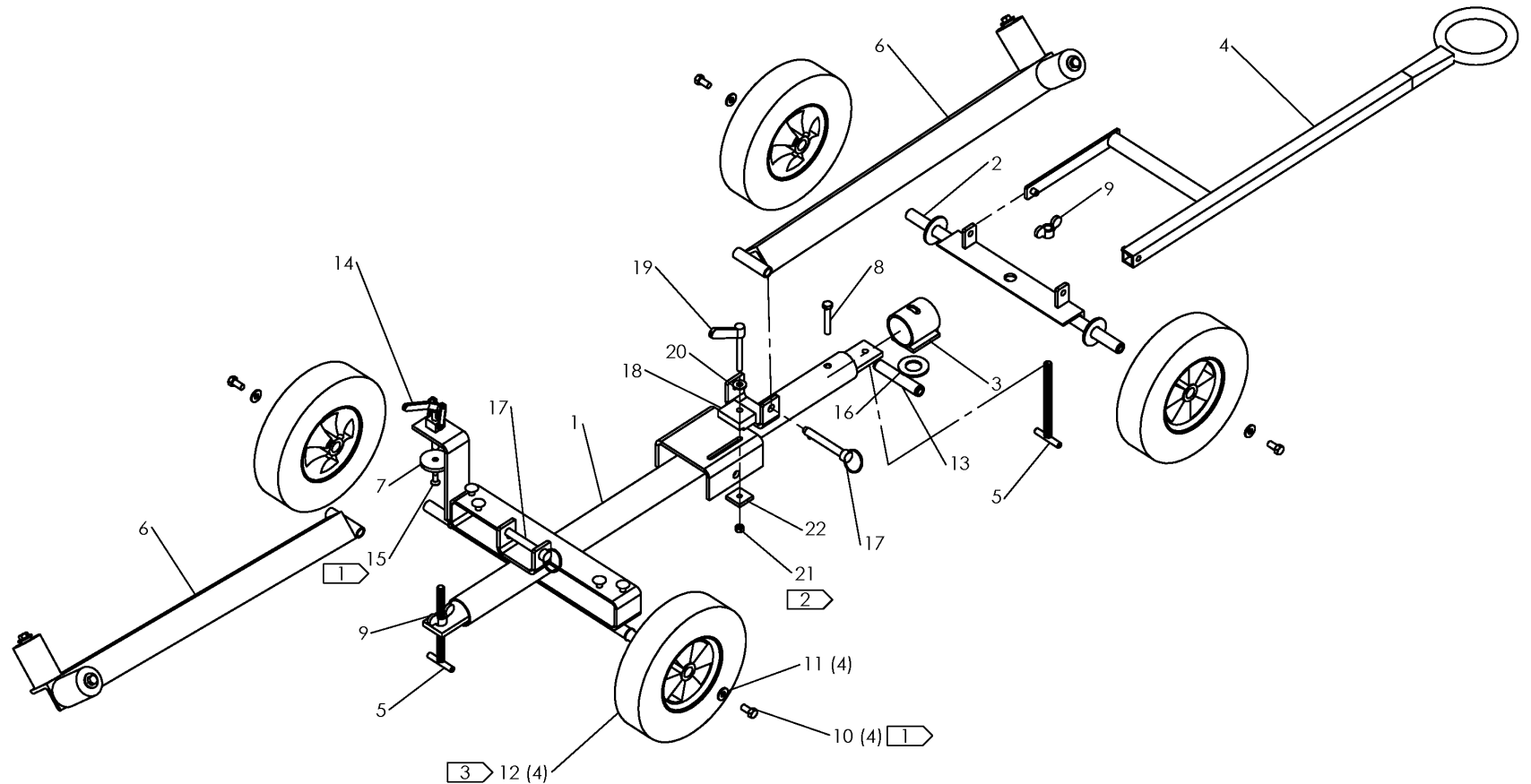
DRAWN: BWW CHECK: TMT APPR'D: JRP DATE: 7/27/00 SHT No: 1 REV No: D PART No: 434001

PitBull® No. 14 CART ASSEMBLY

NOTE: THIS DRAWING AND THE INFORMATION CONTAINED THEREIN IS THE CONFIDENTIAL AND PROPRIETARY PROPERTY OF McElroy Manufacturing, Inc. THE DRAWING IS NOT TO BE REPRODUCED IN ANY MANNER, SUBMITTED TO OUTSIDE PARTIES FOR EXAMINATION, OR USED DIRECTLY OR INDIRECTLY FOR THE PURPOSES OTHER THAN THOSE FOR WHICH IT WAS FURNISHED WITHOUT WRITTEN PERMISSION OF McElroy Manufacturing, Inc.

NOTES:

1. INSTALL WITH MEDIUM STRENGTH THREAD LOCKER
2. INSTALL NUT FLUSH WITH THE END OF STUD WITH MEDIUM STRENGTH THREAD LOCKER
3. FOR REPLACEMENT WHEEL ITEM '12' ON UNIT PURCHASED PRIOR TO 4/07, ORDER A441001.



McElroy Manufacturing Parts List

Part Number: 434001 PitBull 14 Cart Assembly

Part Number 434001 Component List

Item	Component	Description	Quantity	Unit	Price
1	434101	PB 14 Cart Frame Weldment	1.0	EA	0.00
2	404501	Front Axle Weldment	1.0	EA	0.00
3	404701	5TH Wheel Weldment	1.0	EA	0.00
4	413901	Tow Handle Weldment	1.0	EA	204.00
5	404901	Outrigger Elevating Stud	2.0	EA	42.48
6	405301	Outrigger Assembly	2.0	EA	205.00
7	405201	Brake Pad	1.0	EA	25.20
8	MAB00076	3/8-16NCX2-1/4LG Hhcs GR8	1.0	EA	0.67
9	MBH00001	1/2-13NC TY 'b' Wing Nut Stlpl	2.0	EA	0.00
10	MAB00063	3/8-16NCX3/4LG Hhcs	4.0	EA	0.34
11	MBF00007	3/8 TY 'a' Wide FL Wshr Stl PL	4.0	EA	0.10
12	MIA00019	3/4 BR Bush Bore Wheel Assy	4.0	EA	48.12
13	MCG00010	1/4DIAX1-1/4LG Roll Pin	1.0	EA	0.89
14	MJA00003	Toggle Clamp	1.0	EA	63.98
15	MAD00058	5/16-18NCX3/4LG Fhscs PL	1.0	EA	1.50
16	MBG00004	3/4 Type 'an' FL Wshr Stl PL	1.0	EA	2.50
17	MCE00015	1/2DIAX3.50 Grip Detent Pin	2.0	EA	21.40
18	434107	PB 14 Clamp Block	1.0	EA	59.08
19	MJJ00019	Clamp Handle	1.0	EA	25.97
20	MBF00006	5/16TY 'a' Wide FL Wshr Stl PL	1.0	EA	0.10
21	MBA00006	5/16-18NC Fnsh Hex Nut Stl PL	1.0	EA	0.29
22	434106	PB 14 Sliding Clamp Bottom	1.0	EA	47.65

Please visit <https://fusion.mcelroy.com/parts> to purchase parts or for more information.