

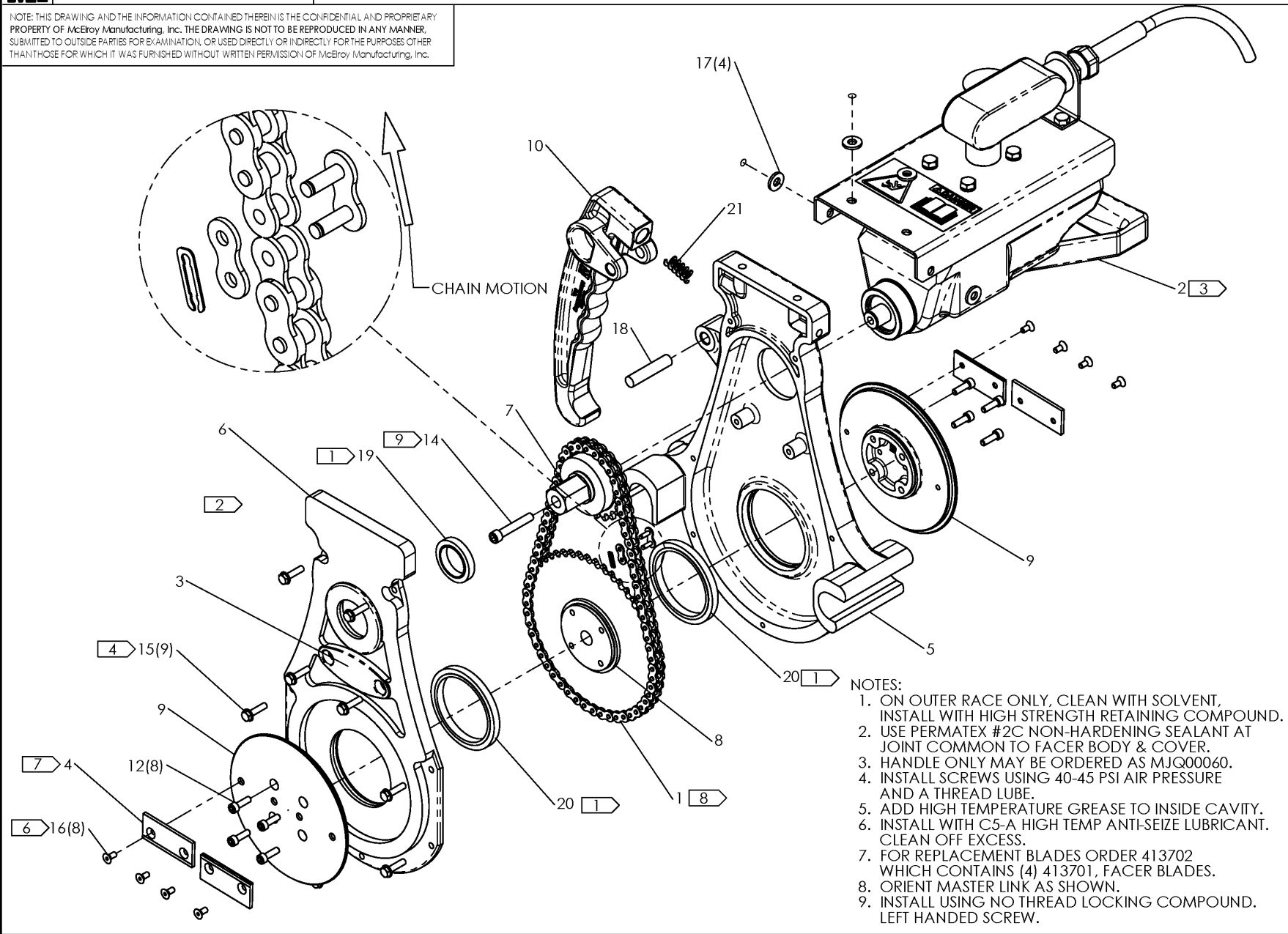


McElroy Manufacturing, Inc.  
The leader by design.  
Tulsa, Oklahoma U.S.A.

DRAWN: BWW	CHECK: TMT/BP	APPRVD: SWB	DATE: 6/07/00	SHT No: 1	REV No: M	PART No: 433701
------------	---------------	-------------	---------------	-----------	-----------	-----------------

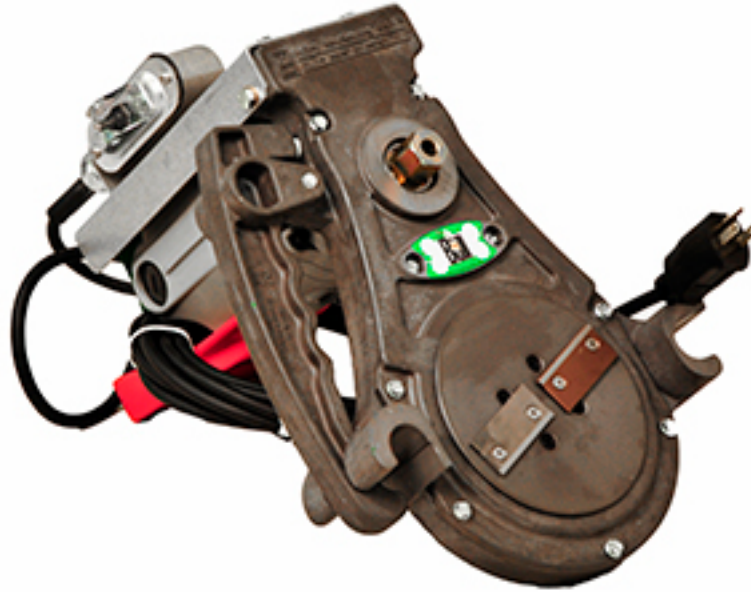
PitBull® No. 14 FACER ASSEMBLY 100-120V, 50/60 Hz, 1Ph

NOTE: THIS DRAWING AND THE INFORMATION CONTAINED THEREIN IS THE CONFIDENTIAL AND PROPRIETARY PROPERTY OF McElroy Manufacturing, Inc. THE DRAWING IS NOT TO BE REPRODUCED IN ANY MANNER, SUBMITTED TO OUTSIDE PARTIES FOR EXAMINATION, OR USED DIRECTLY OR INDIRECTLY FOR THE PURPOSES OTHER THAN THOSE FOR WHICH IT WAS FURNISHED WITHOUT WRITTEN PERMISSION OF McElroy Manufacturing, Inc.



## McElroy Manufacturing Parts List

**Part Number:** 433701 PitBull 14 100-120V,50/60Hz,1Ph Facer Assembly



**Pb 14 100-120,50/60,1 fcr assy**

**Part Number 433701 Component List**

Item	Component	Description	Quantity	Unit	Price
1	A422701	14BM Fcr Chain Assy	1.0	EA	27.69
2	A424101	#14 BM Facer Motor Assembly 100-120V, 50/60Hz, 1Ph	1.0	EA	1,102.00
3	433801	PB 14 Oval Sticker	1.0	EA	7.22
4	413701	14 Facer Blade 2.25LG	4.0	EA	47.61
5	432101	Facer Body	1.0	EA	401.00
6	432001	Facer Cover	1.0	EA	237.00
7	417202	Driver Sprocket Weldment	1.0	EA	100.00
8	417301	14 Driven Sprocket	1.0	EA	145.00
9	432501	Blade Holder	2.0	EA	92.00
10	433002	Latch Handle	1.0	EA	110.00
12	MAC00037	#10-24NCX5/8LG Shcs PL	8.0	EA	0.44
13	MAB00002	1/4-20NCX1/2LG Hhcs	4.0	EA	0.17
13	MAC00051	1/4-20NCX1/2LG Shcs PL (Effective 5/24/00 to 2/7/12)	4.0	EA	0.34
14	MAC00065	L/h 1/4-20NCX1-1/2LG Shcs PL	1.0	EA	5.45
15	MAH00037	#10-24NCX3/4LG Hwh TC Scr	9.0	EA	0.34
16	MAH00074	#8-32NCX3/8LG Fhscs SS	8.0	EA	1.09
17	MBF00005	1/4 TY 'a' Wide FL Wshr Stl PL (Effective 8/3/00 to 2/7/12)	4.0	EA	0.10
17	MBG00044	1/4 Type 'an' Flat Wshr Stl PL	4.0	EA	0.43
18	MCK00017	3/8DIAx1-3/4LG Lock Pin Stl PL	1.0	EA	2.71
19	MDM00087	Ball Bearing	1.0	EA	50.10
20	MDM00089	Ball Bearing	2.0	EA	110.00
21	MJE00008	Die Spring	1.0	EA	5.25

Please visit <https://fusion.mcelroy.com/parts> to purchase parts or for more information.