



McElroy Manufacturing, Inc.
 The leader by design.
 Tulsa, Oklahoma U.S.A.

DRAWN: TLW CHECK: SWB APPRV'D: B DATE: 6/16/95 DWG No: 424300 SHT No: 5 REV No: G

PART No: 424308

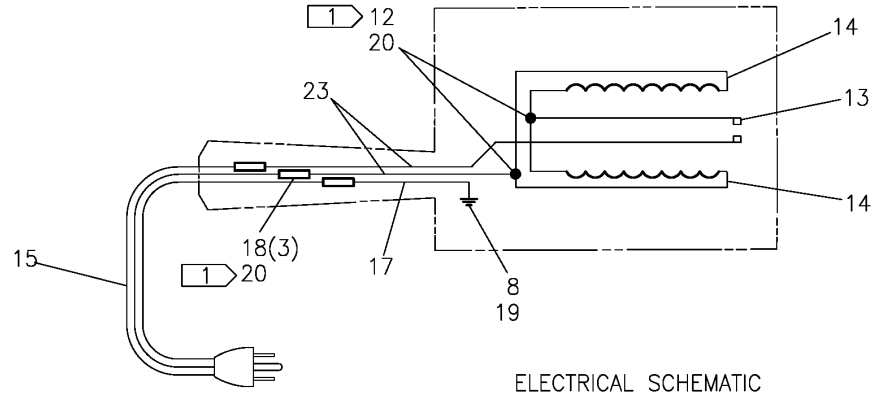
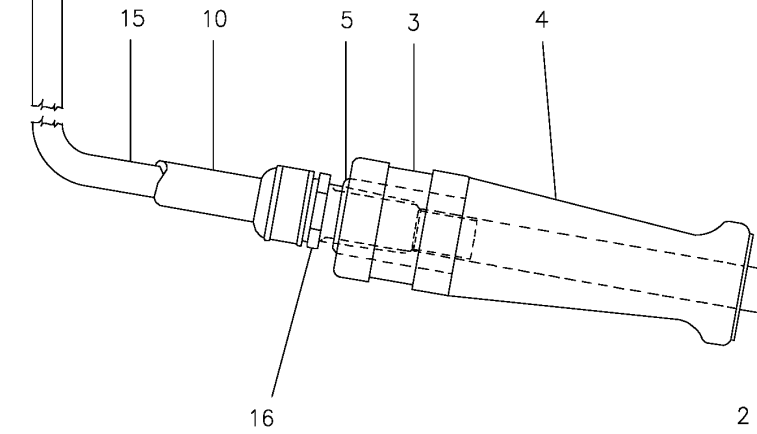
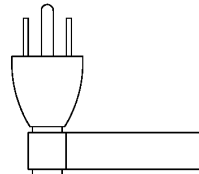
#14 Multi-Mc SIDEWALL & SOCKET HEATER ASSEMBLY 100-120V, 50/60Hz, 1Ph

CAD No: 424308

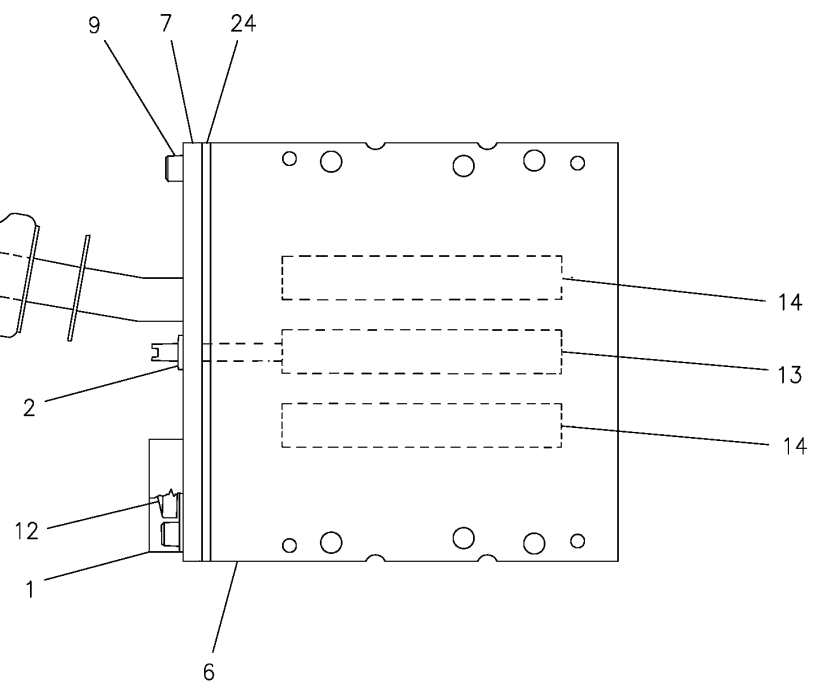
NOTE: THIS DRAWING AND THE INFORMATION CONTAINED THEREIN IS THE CONFIDENTIAL AND PROPRIETARY PROPERTY OF McElroy Manufacturing, Inc. THE DRAWING IS NOT TO BE REPRODUCED IN ANY MANNER, SUBMITTED OUTSIDE PARTIES FOR EXAMINATION, OR USED DIRECTLY OR INDIRECTLY FOR THE PURPOSES OTHER THAN THOSE FOR WHICH IT WAS FURNISHED WITHOUT WRITTEN PERMISSION OF McElroy Manufacturing, Inc.

NOTES:

1. USE SLEEVING (ITEM 20) TO COVER EXPOSED WIRING.
2. SPLICE LEADS IN HANDLE.
3. SET AND CHECK TEMPERATURE PER ES574.
4. ITEM 22 NOT SHOWN ON DRAWING.



ELECTRICAL SCHEMATIC
 1200 WATTS TOTAL



McElroy Manufacturing Parts List

Part Number: 424308 14 MultiMc Sidewall & Socket 100-120V Heater Assembly (06/1995-)

Part Number 424308 Component List

Item	Component	Description	Quantity	Unit	Price
1	214801	Mlmc Thermal Guard	1.0	EA	6.13
2	215601	Mlmc Htr Grommet	1.0	EA	8.91
3	816358	Model 424308 Part NO Label	1.0	EA	0.00
4	414701	Wooden Htr Handle	1.0	EA	11.29
5	415101	Htr Handle Threaded Adapter	1.0	EA	22.03
6	424402	Htr Body	1.0	EA	253.00
7	428401	Cover Plate Weldment	1.0	EA	206.00
8	MAH00036	#6-32NCX3/8LG Hwh TC Scr (Effective 5/13/03 to 9/8/20)	1.0	EA	0.31
8	MAL00024	#8-32NCX1/4LG Hwhsms SS	1.0	EA	0.33
9	MAH00052	1/4-20NC X 3/4"LG Shcs SS	2.0	EA	1.06
10	MHA00009	3/8ID X 9/16OD Rubber Tubing	0.333	FT	3.36
11	MJK00001	5LG,150-650DEG F Thermometer	1.0	EA	41.71
12	MJQ00046	Ferrule	2.0	EA	0.93
13	MLC00007	Thermoswitch Mod	1.0	EA	197.00
14	MLD00011	120V, 600W, 5/8 X 4 Crtg Htr	2.0	EA	71.27
15	MLE00017	Replaced by 434202 OR A434202 (Effective 5/13/03 to 11/27/17)	1.0	EA	0.00
15	434202	13AMP/120V Power Cord	1.0	EA	35.59
16	MLK00007	Strain Relief Connector	1.0	EA	19.69
17	MLL00214	#18 Type Tggt Wire, Green/yel	0.33	FT	1.41
18	MLM00003	14-16 Butt Splice	3.0	EA	0.75
19	MLM00004	18-22 X #6 Ring Term, Non-insu (Effective 5/13/03 to 9/8/20)	1.0	EA	0.30
19	MLM00372	18-22 X #8 Hi-temp Ring Term	1.0	EA	1.00
20	MLW00002	0.133ID Fiberglas Sleeve(roll)	0.666	FT	1.64
21	410906	Dng Not Expln Proof Tag Label (Effective 5/13/03 to 11/27/17)	1.0	EA	1.42
22	A424901	14 MultiMc/Socket Fusion Heater Screw&Driver Kit	1.0	EA	40.91
23	MLL00004	#18 Type Tggt Elec Wire	0.67	FT	2.37
24	436301	Cover Plate Gasket	1.0	EA	5.60

Please visit <https://fusion.mcelroy.com/parts> to purchase parts or for more information.