



McElroy Manufacturing, Inc.  
The leader by design.  
Tulsa, Oklahoma U.S.A.

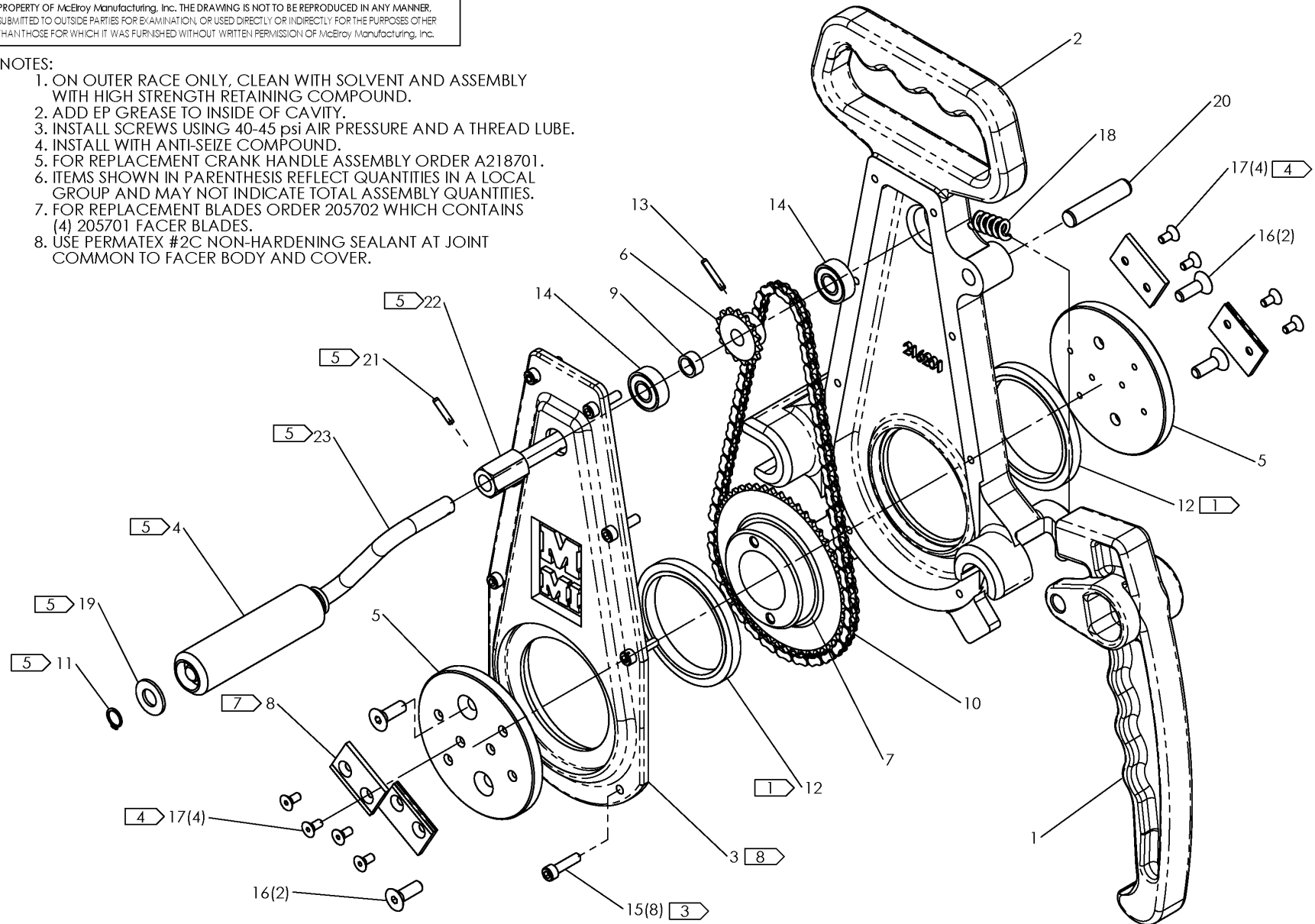
DRAWN: SWB CHECK: BWP APPRVD: B DATE: 5/16/95 SHT No: 1 REV No: V PART No: 216101

2" FACER ASSEMBLY

NOTE: THIS DRAWING AND THE INFORMATION CONTAINED THEREIN IS THE CONFIDENTIAL AND PROPRIETARY PROPERTY OF McElroy Manufacturing, Inc. THE DRAWING IS NOT TO BE REPRODUCED IN ANY MANNER, SUBMITTED TO OUTSIDE PARTIES FOR EXAMINATION, OR USED DIRECTLY OR INDIRECTLY FOR THE PURPOSES OTHER THAN THOSE FOR WHICH IT WAS FURNISHED WITHOUT WRITTEN PERMISSION OF McElroy Manufacturing, Inc.

NOTES:

1. ON OUTER RACE ONLY, CLEAN WITH SOLVENT AND ASSEMBLY WITH HIGH STRENGTH RETAINING COMPOUND.
2. ADD EP GREASE TO INSIDE OF CAVITY.
3. INSTALL SCREWS USING 40-45 psi AIR PRESSURE AND A THREAD LUBE.
4. INSTALL WITH ANTI-SEIZE COMPOUND.
5. FOR REPLACEMENT CRANK HANDLE ASSEMBLY ORDER A218701.
6. ITEMS SHOWN IN PARENTHESIS REFLECT QUANTITIES IN A LOCAL GROUP AND MAY NOT INDICATE TOTAL ASSEMBLY QUANTITIES.
7. FOR REPLACEMENT BLADES ORDER 205702 WHICH CONTAINS (4) 205701 FACER BLADES.
8. USE PERMATEX #2C NON-HARDENING SEALANT AT JOINT COMMON TO FACER BODY AND COVER.



## McElroy Manufacturing Parts List

**Part Number:** 216101 2 Facer Assembly



2 fcr assy

**Part Number 216101 Component List**

Item	Component	Description	Quantity	Unit	Price
1	216602	Replaced by 433002 (Effective 6/11/01 to 11/3/13)	1.0	EA	0.00
1	433002	Latch Handle	1.0	EA	110.00
2	216202	Fcr Body	1.0	EA	426.00
3	216302	Fcr Cover	1.0	EA	183.00
4	216801	Crank Handle	1.0	EA	29.21
5	216401	Blade Holder	2.0	EA	72.97
6	204601	Drive Sprocket	1.0	EA	52.27
7	216501	Driven Sprocket	1.0	EA	119.00
8	205701	2 Facer Blade 1.38LG	4.0	EA	39.27
9	205101	Drive Sprocket Spacer	1.0	EA	5.52
10	A216901	2 Ball Bearing Fcr Chain Assy	1.0	EA	26.53
11	MCB00017	Ext Snap Ring	1.0	EA	0.94
12	MDM00089	Ball Bearing	2.0	EA	110.00
13	MCG00017	1/8DIA X3/4LG Roll Pin	1.0	EA	0.78
14	MDM00061	Ball Bearing	2.0	EA	9.52
15	MAH00037	#10-24NCX3/4LG Hwh TC Scr	8.0	EA	0.34
16	MAD00044	1/4-20NCX3/4LG Fhscs PL (Effective to 2/8/10)	4.0	EA	0.82
16	MAH00077	1/4-20NCX3/4LG Fhscs SS	4.0	EA	1.09
17	MAH00074	#8-32NCX3/8LG Fhscs SS	8.0	EA	1.09
18	MJE00008	Die Spring	1.0	EA	5.25
19	MBG00001	3/8 Type 'an' FL Wshr Stl PL	1.0	EA	0.40
20	MCK00017	3/8DIA X1-3/4LG Lock Pin Stl PL	1.0	EA	2.71
21	MCG00035	1/8DIA X5/8 LG Roll Pin	1.0	EA	0.11
22	217101	Crank Hex Adapter	1.0	EA	56.31
23	217001	Facer Crank Wld	1.0	EA	46.36

Please visit <https://fusion.mcelroy.com/parts> to purchase parts or for more information.