



McElroy Manufacturing, Inc.
The leader by design.
Tulsa, Oklahoma U.S.A.

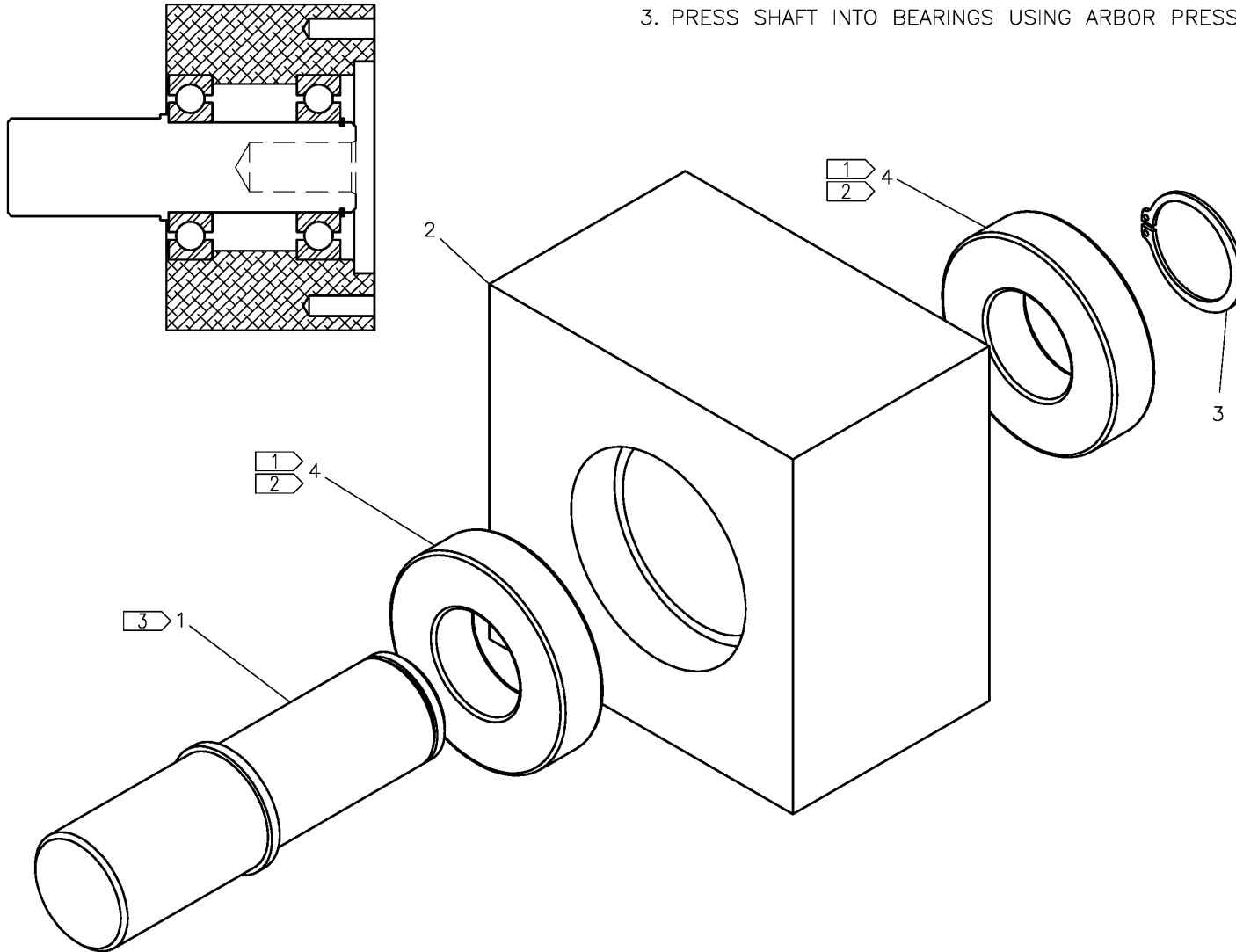
DRAWN: SWB CHECK: BWP APPRV'D: B DATE: 4/25/95 SHT No: 2 REV No: B PART No: 1813402

#412/#618 BEARING HOUSING

NOTE: THIS DRAWING AND THE INFORMATION CONTAINED THEREIN IS THE CONFIDENTIAL AND PROPRIETARY PROPERTY OF McElroy Manufacturing, Inc. THE DRAWING IS NOT TO BE REPRODUCED IN ANY MANNER, SUBMITTED OUTSIDE PARTIES FOR EXAMINATION, OR USED DIRECTLY OR INDIRECTLY FOR THE PURPOSES OTHER THAN THOSE FOR WHICH IT WAS FURNISHED WITHOUT WRITTEN PERMISSION OF McElroy Manufacturing, Inc.

NOTES:

1. INSTALL USING HIGH STRENGTH RETAINING COMPOUND.
2. PRESS BEARINGS INTO HOUSING USING ARBOR PRESS & APPROPRIATE SIZE FITTING TO PREVENT DAMAGE TO BEARING.
3. PRESS SHAFT INTO BEARINGS USING ARBOR PRESS.



McElroy Manufacturing Parts List

Part Number: 1813402 412/618 Bearing Housing Assembly



12/18 bearing housing assy

Part Number 1813402 Component List

Item	Component	Description	Quantity	Unit	Price
1	1813501	Pump Shaft	1.0	EA	392.00
2	1813602	12/18 Pump Bearing Housing	1.0	EA	443.00
3	MCB00009	Ext Snap Ring	1.0	EA	0.75
4	MDM00068	Ball Bearing	2.0	EA	41.74

Please visit <https://fusion.mcelroy.com/parts> to purchase parts or for more information.