

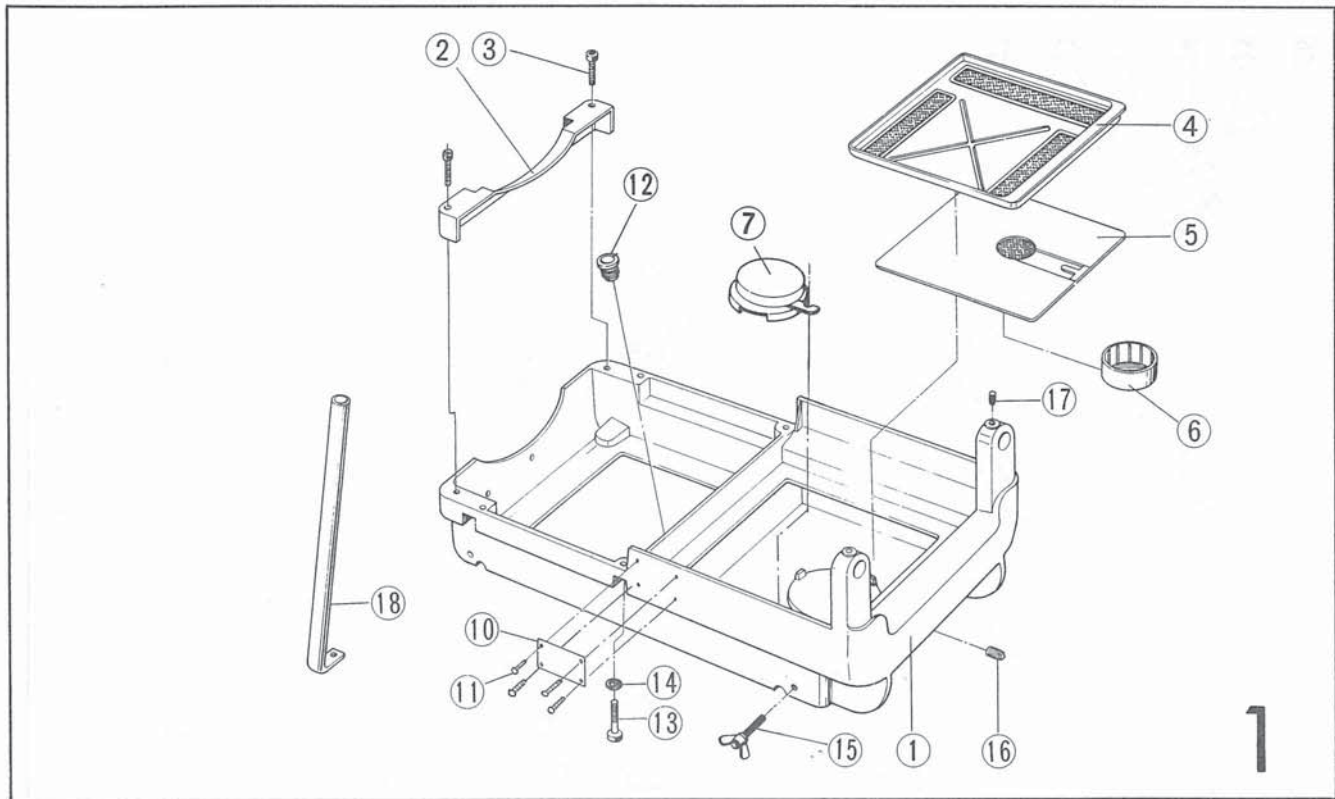
**WHEELER/REX 6590
(150A)**

Parts List

Ref. No. 199107

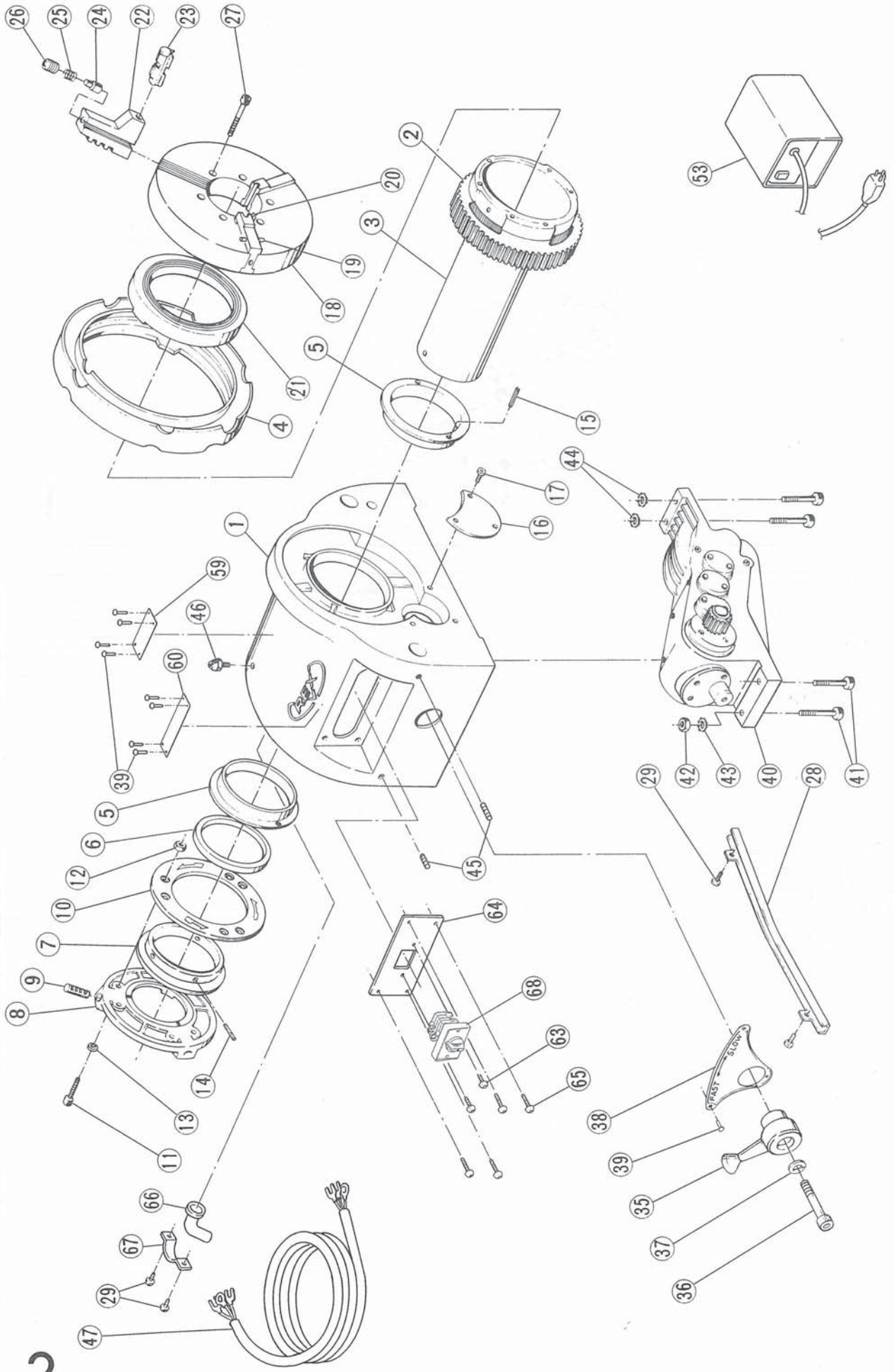
REX INDUSTRIES CO.,LTD.

WHEELER/REX 6590 (150A) (Base)



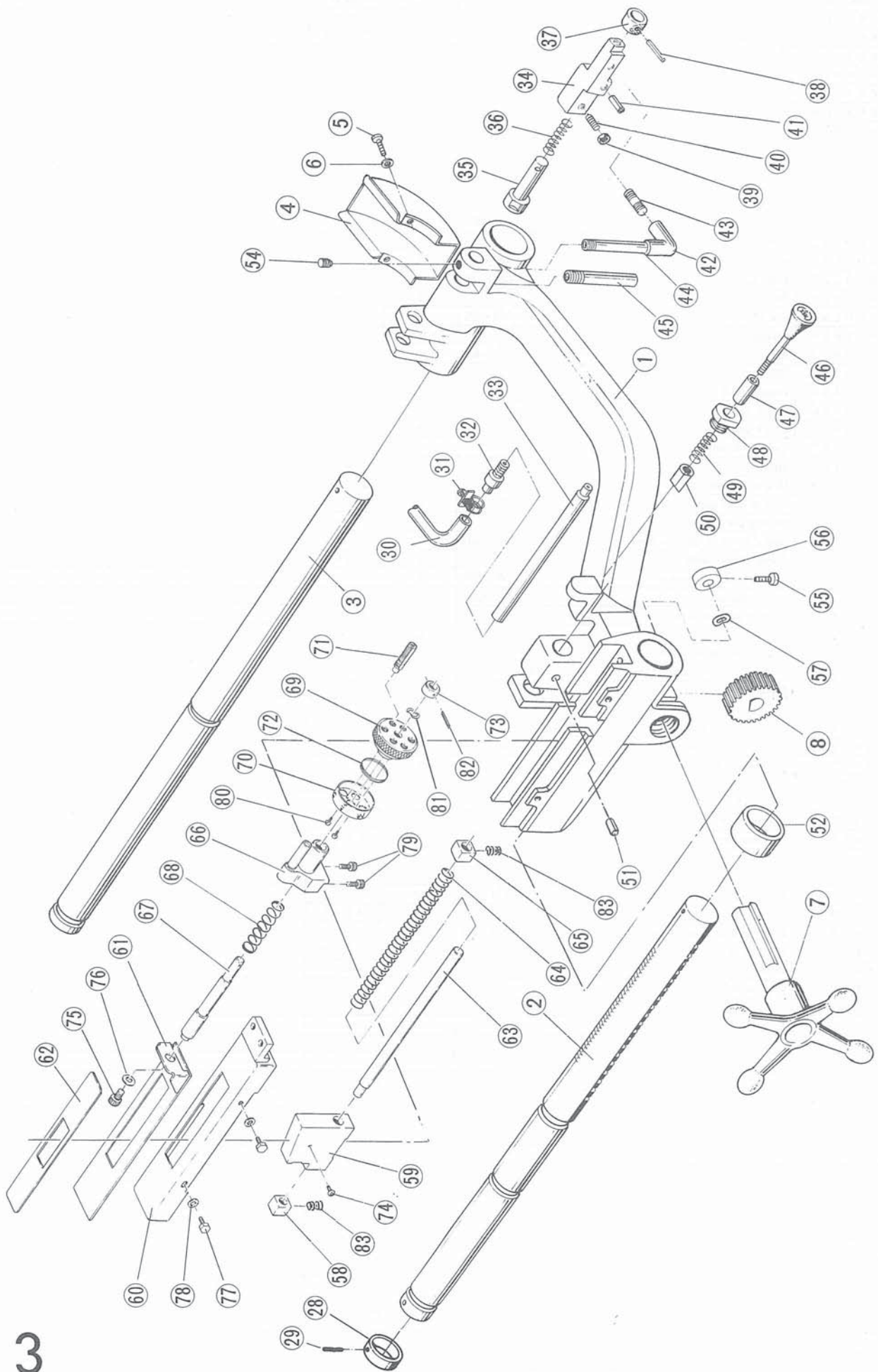
No.	Part No. (Wheeler)	Part Name	Set	Part No. (REX)
1	6 0 7 0 5 1	Base	1	A 0 5 0
2	6 0 7 0 5 2	Motor cover	1	A 0 5 2
3	6 0 0 7 7 8	Socket head cap screw (M8×60)	2	
4	6 0 7 0 5 3	Scrap receiver	1	A 0 5 3
5	6 0 7 0 5 4	Tank upper cover	1	A 0 5 4
6	6 0 7 0 5 5	Oil pot	1	A 0 5 5
7	6 0 0 7 3 1	Strainer	1	A 0 5 6
8				
9				
10	6 0 0 9 3 3	Name plate	1	
11	6 0 0 1 4 3	Rivet (#0×5)	4	
12	6 0 1 0 9 5	Suction tube bush	1	1 0 9 5
13	6 0 0 1 8 1	Socket head cap screw (M10×40)	4	
14	6 0 0 1 8 2	Spring washer (φ10)	4	
15	6 0 0 1 4 6	Wing screw (M10×25)	4	
16	6 0 0 1 8 3	Drain plug (PT 1/2")	1	
17	6 0 0 4 2 8	Hex-socket set screw (M8×14)	2	
18	6 0 2 7 1 1	Pipe stand	4	A 0 5 7
19				
20				
21				
22				
23				
24				
25				
26				
27				
28				
29				
30				
31				
32				
33				
34				
35				
36				
37				
38				
39				
40				
41				
42				
43				
44				

WHEELER/REX 6590 (150A) (Head stock)



No.	Part No. (Wheeler)	Part Name	Set	Part No. (REX)	
1	6 0 8 0 0 1	Head stock	1	E 0 0 1	
2	6 0 8 0 0 2	Main shaft gear	1	E 0 0 2	} 600273 (02EJ)
3	6 0 8 0 0 4	Main shaft	1	E 0 0 4	
4	6 0 0 8 7 5	Hand wheel	1	E 0 0 7	
5	6 0 8 0 0 5	Main shaft bearing	2	E 0 0 5	
6	6 0 8 0 0 8	Thrust ring	1	E 0 0 8	
7	6 0 8 0 0 7	Rear scroll	1		} 608006 Rear chuck complete set (E006)
8	6 0 8 0 1 0	Rear chuck receptacle	1		
9	6 0 8 0 1 1	Rear chuck jaw	3		
10	6 0 8 0 1 2	Rear chuck cover	1		
11	6 0 0 1 3 1	Socket head cap screw (M6×16)	6		
12	6 0 0 1 7 1	Hexagon nut (M6)	6		
13	6 0 0 1 3 2	Spring washer (φ6)	6		
14	6 0 0 1 4 9	Roll pin (φ6×18)	3		
15	6 0 0 1 2 7	Roll pin (φ4×10)	4		
16	6 0 7 0 0 9	Window cap	1	A 0 0 9	
17	6 0 0 1 8 4	Round head machine screw (M4×18)	3		
18	6 0 8 0 1 5	Chuck body	1		} 600270 Chuck complete set (E018)
19	6 0 0 8 7 7	Roll pin (φ4×40)	1		
20	6 0 0 4 5 3	Block pin	2		} 600876 Chuck jaw set
21	6 0 0 4 5 4	Chuck scroll	1		
22	6 0 0 1 8 6	Chuck jaw	3		
23	6 0 3 0 7	Chuck jaw insert	3		} 60307 Chuck jaw insert set
24	6 0 0 1 8 7	Spring retainer	3		
25	6 0 0 1 8 8	Spring	3		
26	6 0 0 1 8 9	Hex-socket set screw	3		
27	6 0 0 4 5 5	Socket head cap screw (M7×60)	6		
28	6 0 7 0 1 0	Oil drip plate	1	A 0 1 0	
29	6 0 0 1 9 1	Round head machine screw (M4×10)	4		
35	6 0 7 3 0 3	Speed change lever	1	A 3 0 3	
36	6 0 0 1 9 3	Socket head cap screw (M8×60)	1		
37	6 0 0 1 3 0	Spring washer (φ8)	1		
38	6 0 8 0 2 1	Change position plate	1	E 0 2 7	
39	6 0 0 1 4 3	Rivet (#0×5)	12		
40	6 0 0 1 9 4	Gear case complete set	1		
41	6 0 0 1 9 5	Socket head cap screw (M10×65×45)	4		
42	6 0 0 1 4 8	Hexagon nut (M10)	4		
43	6 0 0 1 8 2	Spring washer (φ10)	4		
44	6 0 0 4 2 9	Toothed lock washer (φ10)	4		
45	6 0 0 1 9 7	Hex-socket set screw (M8×10)	4		
46	6 0 0 1 9 8	Grease nipple (M6)	2		
47	6 0 0 9 3 4	Power cord	2	E 0 4 3	
53	9 0 1	Foot switch	1		
59	6 0 3 5 5 7	Warning plate A	1	9 1 0 2	
60	6 0 3 5 5 8	Warning plate	1	E 0 4 5	
61					
62					
63	6 0 0 9 3 7	Flat head machine screw (M4×10)	2		6390,6790
64	6 0 0 9 3 8	Switch mounting plate	1	A 6 4 1	
65	6 0 0 9 3 9	Oval head machine screw (M4×10)	4		
66	6 0 0 9 4 0	Cord bush	1	7 0 2 1	6090,6390,6790,6890
67	6 0 0 9 4 1	Binder C-15	1	7 0 9 8	6090,6390,6790,6890
68	6 0 0 9 5 9	Cam switch	1		6090, 6390, 6790, 6890
69					
70					
71					
72					
73					
74					
75					
76					
77					
78					
79					
80					
81					
82					
83					
84					
85					
86					
87					
88					
89					

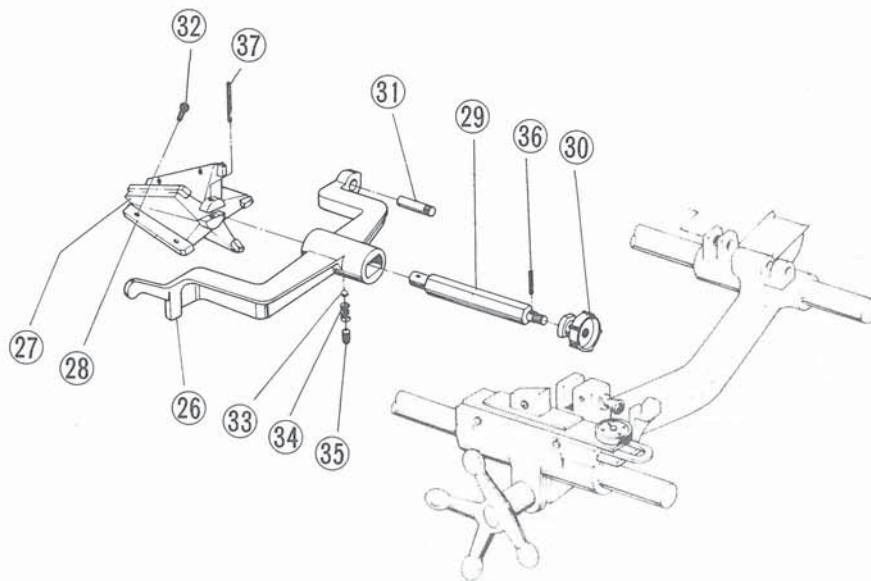
WHEELER/ REX 6590 (150A) (Carriage)



No.	Part No. (Wheeler)	Part Name	Set	Part No. (REX)	
1	6 0 7 1 0 1	Carriage	1	A 1 0 1	
2	6 0 7 5 1 2	Carriage support bar A	1	A 5 2 6	
3	6 0 7 5 1 3	Carriage support bar B	1	A 5 2 7	
4	6 0 8 1 2 1	Oil cover	1	E 8 2 5	
5	6 0 0 2 0 4	Round head machine screw (M6×10)	2		
6	6 0 0 1 3 2	Spring washer (φ6)	2		
7	6 0 7 5 1 7	Carriage handle	1	A 5 1 7	Set A516 Feed gear shaft 6490,6790
8	6 0 7 5 1 5	Carriage feed gear	1	A 5 1 5	6190,6790
28	6 0 8 0 3 2	Carriage stop collar	1	8 0 3 2	
29	6 0 0 2 0 5	Roll pin (φ5×20)	1		
30	6 0 0 2 1 2	Oil feed line tube	1		
31	6 0 0 2 1 3	Pipe band (10mm)	1		
32	6 0 1 0 3 5	Joint	1	1 0 3 5	6790
33	6 0 7 1 1 1	Oil pipe A	1	A 1 1 1	
34	6 0 7 1 1 3	Oil pipe connector	1	7 0 0 7	
35	6 0 7 1 2 6	Connector shaft	1	7 0 1 7	
36	6 0 7 1 2 8	Connector spring	1	7 2 2 0	
37	6 0 7 1 2 7	Oil adjustment knob	1	7 0 1 8	
38	6 0 0 2 1 4	Roll pin (φ3×25)	1		
39	6 0 0 1 7 7	Jam nut (M6)	1		
40	6 0 0 2 1 5	Hex-socket set screw (M6×20)	1		
41	6 0 0 4 3 3	Roll pin (φ8×25)	1		
42	6 0 0 2 1 6	¼ Elbow	1		
43	6 0 0 2 1 7	¼ Nipple	1		
44	6 0 7 1 1 2	Oil pipe B	1	A 1 1 2	
45	6 0 7 1 3 8	Drain pipe	1	A 1 3 8	
46	6 0 7 1 1 7	Die head lock knob	1	A 1 1 7	
47	6 0 7 1 1 9	Knob pin bush	1	A 1 1 9	6490,6790
48	6 0 7 1 1 0	Die head stop pin cover	1	A 1 1 0	
49	6 0 7 1 1 5	Spring	1	A 1 1 5	6490,6790
50	6 0 7 1 0 9	Die head stop pin	1	A 1 0 9	
51	6 0 0 2 1 8	Roll pin (φ6×10)	1		
52	6 0 7 5 2 0	Carriage support collar	1	A 5 2 0	
53					
54	6 0 0 1 7 6	Hex-socket set screw (M6×10)	1		
55	6 0 0 1 6 5	Round head machine screw (M5×30)	1		6490,6790
56	6 0 9 0 1 8	Feed gear stop ring	1	9 0 1 8	6490,6790
57	6 0 0 1 6 4	Wave washer (φ20)	1		6190,6490,6790
58	6 0 8 1 1 0	Spring support shaft holder A	1	T 0 3 2	
59	6 0 0 8 7 9	Profiling board	1	A 1 0 2	
60	6 0 0 8 8 0	Profiling cover A	1	E 1 2 2	
61	6 0 0 8 8 1	Profiling cover B	1	E 1 2 3	
62	6 0 0 8 8 2	Profiling cover C	1	E 1 2 4	
63	6 0 8 1 0 6	Spring support shaft	1	E 1 1 7	
64	6 0 8 1 1 4	Spring	1	A 1 1 4	
65	6 0 8 1 1 1	Spring support shaft holder B	1	T 0 3 3	
66	6 0 0 8 8 3	Size adjustment shaft holder	1	E 1 2 6	Set E127 Size stopper pin
67	6 0 0 8 8 4	Size adjustment shaft	1	E 1 2 5	
68	6 0 0 8 8 5	Spring	1	E 1 2 8	
69	6 0 0 8 8 6	Size plate	1	J 1 2 5	
70	6 0 0 8 8 7	Size plate cover	1	E 1 3 0	
71	6 0 0 8 8 9	Socket head cap screw (6")	1	J 2 3 0	
	6 0 0 8 9 0	Socket head cap screw (5")	1	J 2 3 5	
	6 0 0 8 9 1	Socket head cap screw (4")	1	J 2 3 2	
	6 0 0 8 9 2	Socket head cap screw (3½")	1	J 2 3 6	
	6 0 0 8 9 3	Socket head cap screw (3")	1	J 2 3 3	
	6 0 0 8 9 4	Socket head cap screw (2½")	1	J 2 3 4	
72	6 0 3 5 8 3	Spring	1	J 1 5 1	
73	6 0 3 5 8 5	Stop collar	1	J 1 2 6	6790
74	6 0 0 4 3 2	Round head machine screw (M5×6)	1		6790
75	6 0 0 4 7 2	Socket head cap screw (M8×10)	1		6790
76	6 0 3 5 8 4	Washer (φ8)	1		6790
77	6 0 0 2 1 0	Hexagon head cap screw (M6×10)	2		
78	6 0 0 2 1 1	Washer (φ6)	2		
79	6 0 0 6 0 4	Socket head cap screw (M6×12)	2		
80	6 0 0 8 7 8	Round head machine screw (M3×5)	2		
81	6 0 3 5 8 4	Wave washer (φ12)	1		6790
82	6 0 0 5 1 6	Roll pin (φ4×20)	1		6790
83	6 0 0 4 3 4	Profiling board spring	2	E 1 4 0	6790
84					
85					
86					
87					
88					

Profiling set (02EY)

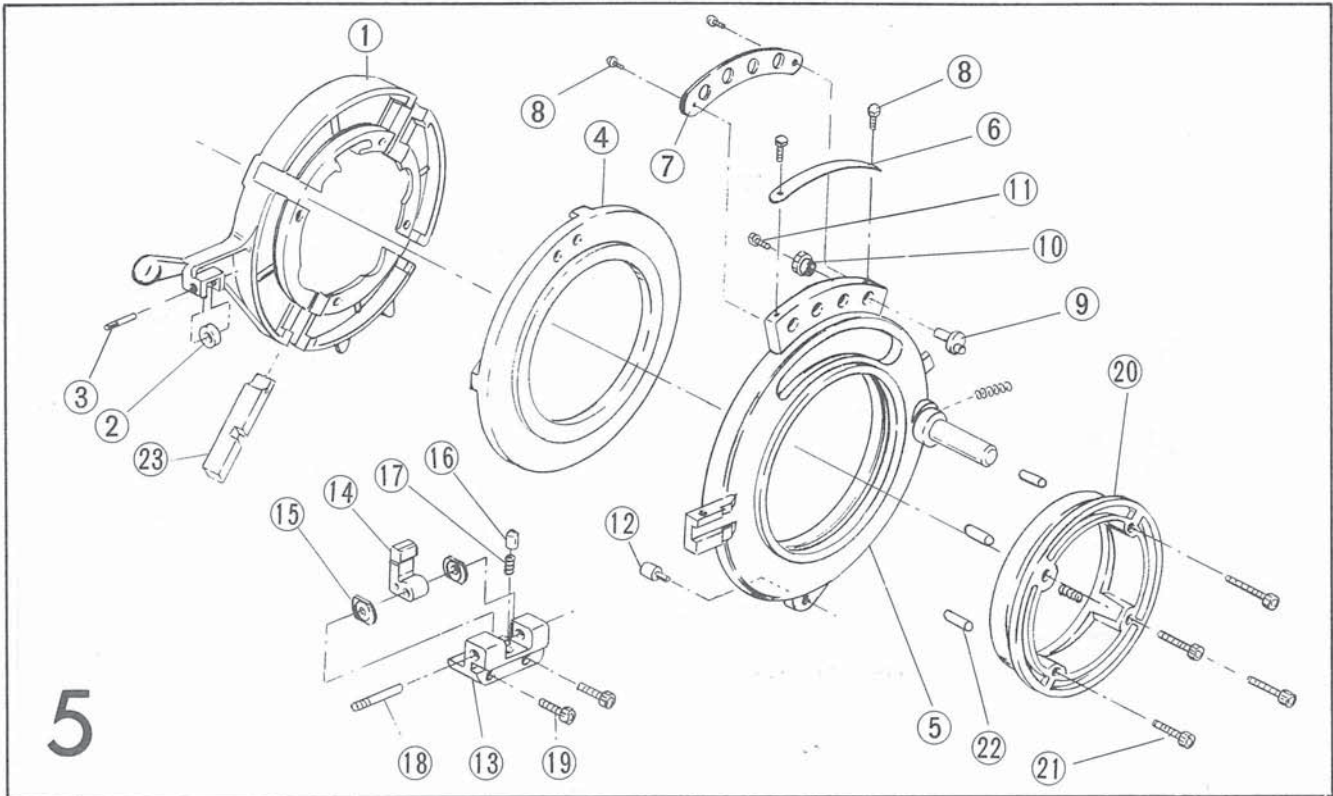
WHEELER/ REX 6590 (150A) (Reamer)



4

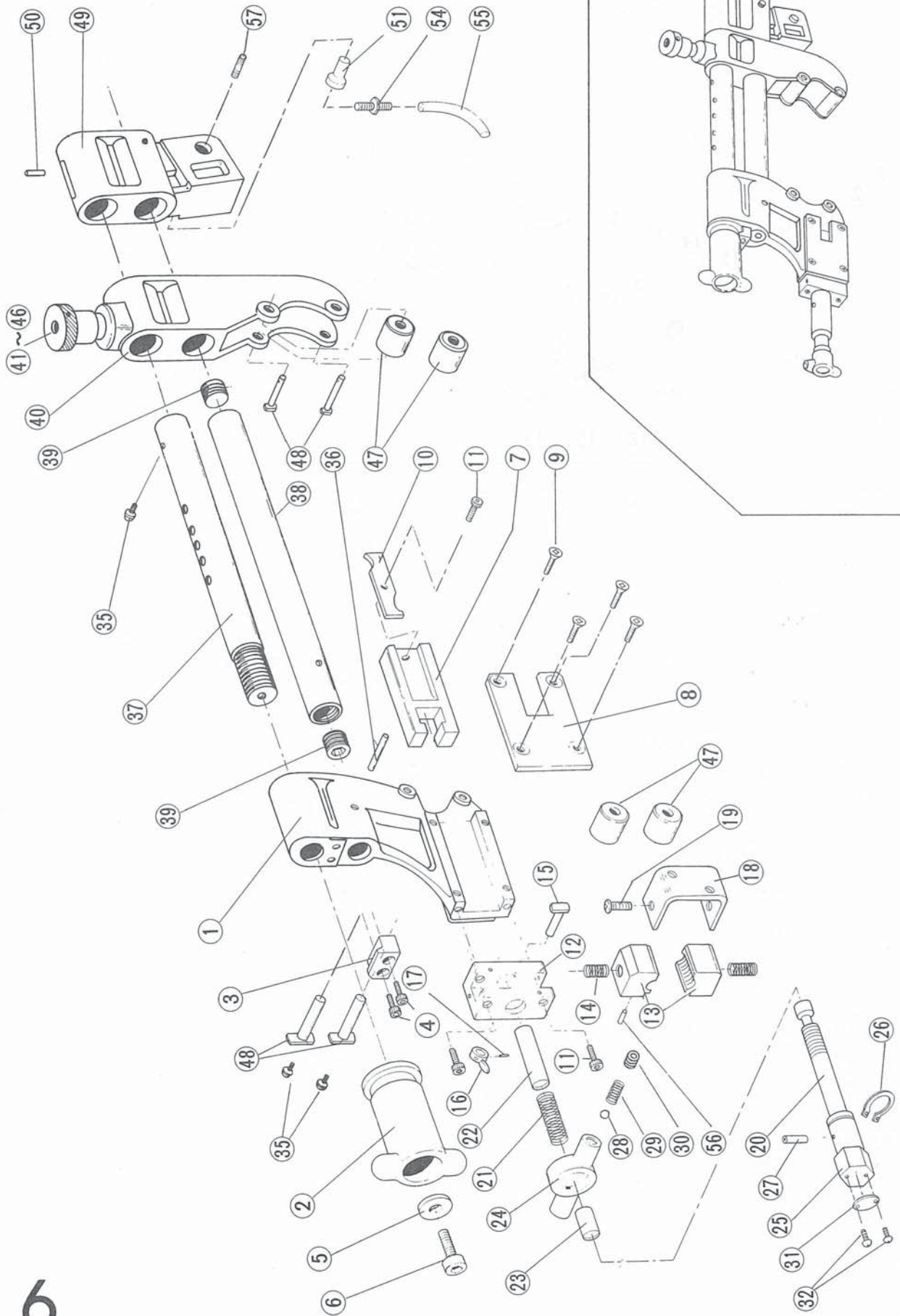
No.	Part No. (Wheeler)	Part Name	Set	Part No. (REX)	
26	6 0 7 2 5 1	Reamer arm	1	A 2 5 1	6490
27	6 0 7 2 5 5	Reamer cone	1	E 2 5 5	
28	6 0 7 2 5 6	Reamer blade	5	E 2 5 6	
29	6 0 7 2 5 3	Reamer shaft	1	A 2 5 3	6490,6790
30	6 0 1 0 9 4	Reamer knob	1	1 0 9 4	6390,6490,6790
31	6 0 7 2 5 4	Reamer arm stop pin	1	A 2 5 4	6490
32	6 0 0 2 3 7	Socket head cap screw	(M6×16)	10	
33	6 0 0 1 6 8	Steel ball	1		6090,6190,6490,6790
34	6 0 0 2 2 4	Spring	1		6090,6190,6490,6790
35	6 0 0 1 6 9	Hex-socket set screw	(M10×10)	1	
36	6 0 0 1 2 7	Roll pin	(φ4×10)	1	
37	6 0 0 2 2 7	Roll pin	(φ8×50)	1	
38					
39					
40	6 0 7 2 5 2	Complete reamer			
41					
42					
43					
44					
45					
46					
47					
48					
49					
50					
51					
52					
53					
54					
55					
56					
57					
58					
59					
60					
61					
62					
63					
64					
65					
66					
67					
68					
69					

WHEELER/ REX 6590 (150A) (Profiling die head)



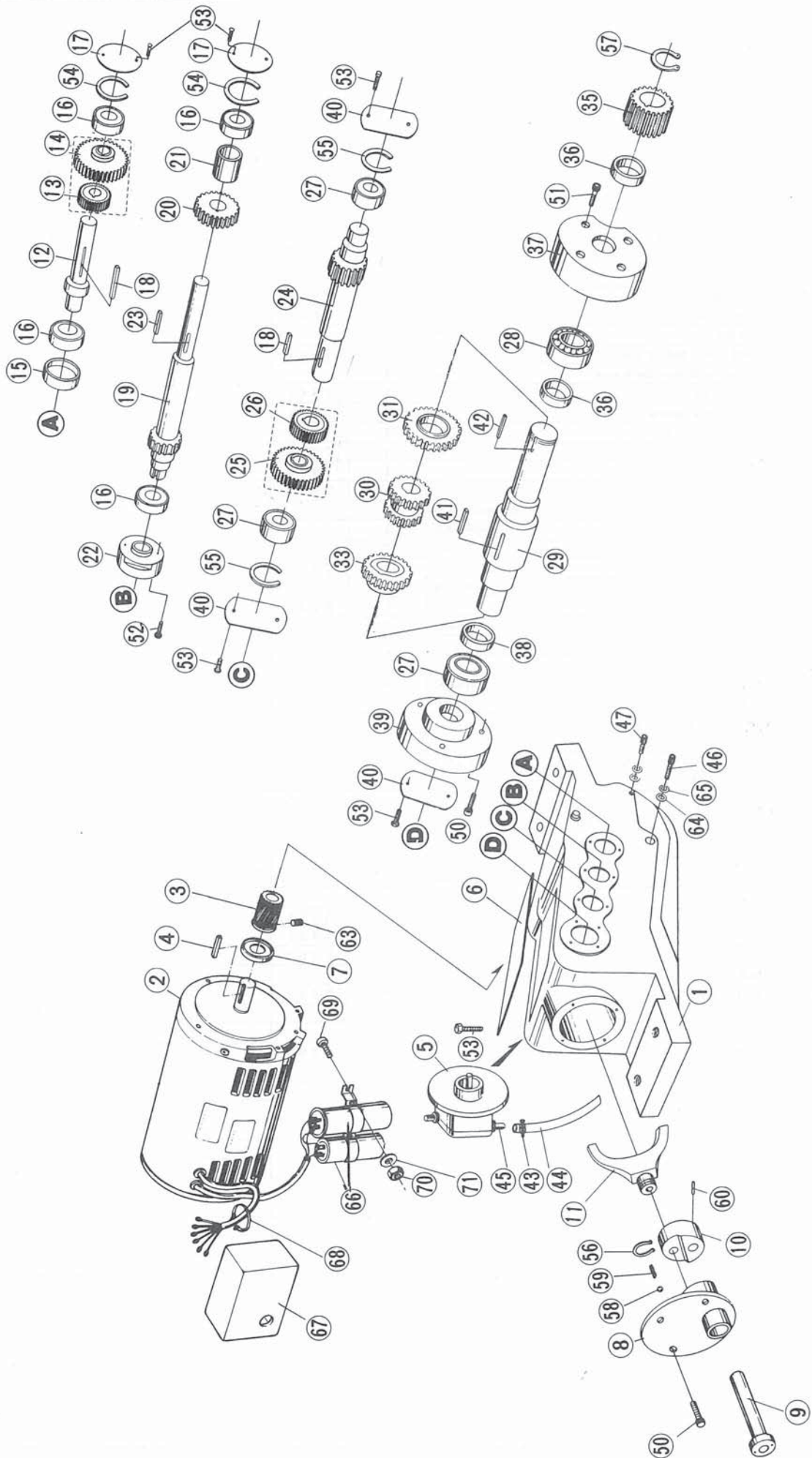
No.	Part No. (Wheeler)	Part Name	Set	Part No. (REX)	
1	6 0 0 8 9 5	Die head body (5~6)	1	E 6 0 1	
	6 0 0 8 9 6	Die head body (2½~4)	1	E 6 1 1	
2	6 0 3 5 6 0	Die head roller	2	T 0 0 8	6790
3	6 0 3 4 1 2	Die head roller pin	2	3 4 1 2	6490, 6790
4	6 0 0 8 9 7	Cam plate (5~6)	1	E 6 3 0	
	6 0 3 5 6 1	Cam plate (2½~4)	1	J 0 6 7	6790
5	6 0 0 8 9 8	Die head receiver plate (5~6)	1	E 6 0 8	Set A160 Die head post, Hex-socket set screw
	6 0 0 8 9 9	Die head receiver plate (2½~4)	1	E 6 1 5	Set A160 Die head post, Hex-socket set screw
6	6 0 0 9 0 0	Die head size plate (5~6)	1	E 6 0 9	
	6 0 0 9 0 1	Die head size plate (2½~4)	1	E 6 1 6	
7	6 0 0 9 0 2	Adjustment plate (5~6)	1	E 6 1 0	
	6 0 0 9 0 3	Adjustment plate (2½~4)	1	E 6 1 7	
8	6 0 0 6 2 1	Rivet (#4×5)	8		6790
9	6 0 4 6 9 2	Crank pin	6	7 6 9 2	6390, 6790
10	6 0 4 6 9 3	Size adjustment knob	6	7 6 9 3	6390, 6790
11	6 0 0 4 7 9	Socket head cap screw (M6×10)	6		6790
12	6 0 3 5 6 5	Die head position pin	2	J 0 7 7	6790
13	6 0 3 5 6 6	Size setting lever holder	2	J 0 7 3	6790
14	6 0 4 6 9 0	Size setting lever	2	7 6 9 0	6390, 6790
15	6 0 4 7 4 3	Size adjustment plate	4	7 7 4 3	6390, 6790
16	6 0 4 7 9 0	Notch pin	2	7 7 9 0	6390, 6790
17	6 0 0 6 8 7	Spring (φ5×12)	2	7 7 5 2	6390, 6790
18	6 0 4 7 4 2	Retaining pin	2	7 7 4 2	6390, 6790
19	6 0 3 5 3 2	Socket head cap screw (M8×20)	4		6790
20	6 0 0 9 0 4	Retaining ring (5~6)	1	E 6 0 4	
	6 0 3 5 6 7	Retaining ring (2½~4)	1	J 0 6 8	6790
21	6 0 0 2 3 8	Socket head cap screw (M6×40)	8		6490, 6790
22	6 0 0 9 0 5	Dies notch	8	G 8 6 5	6790
23	6 0 2 0 7	Dies (5~6)	1 set	X 0 5 2	
	6 0 2 0 6	Dies (2½~4)	1 set	X 0 5 1	6490, 6790
24					
25					
26	6 0 1 2 8	Complete die head (5~6)		0 2 E 2	
27	6 0 1 2 7	Complete die head (2½~4)		0 2 E 1	
28					
29					
30					
31					
32					
33					
34					
35					
36					
37					

WHEELER/REX 6590 (150A) (Blade cutter)



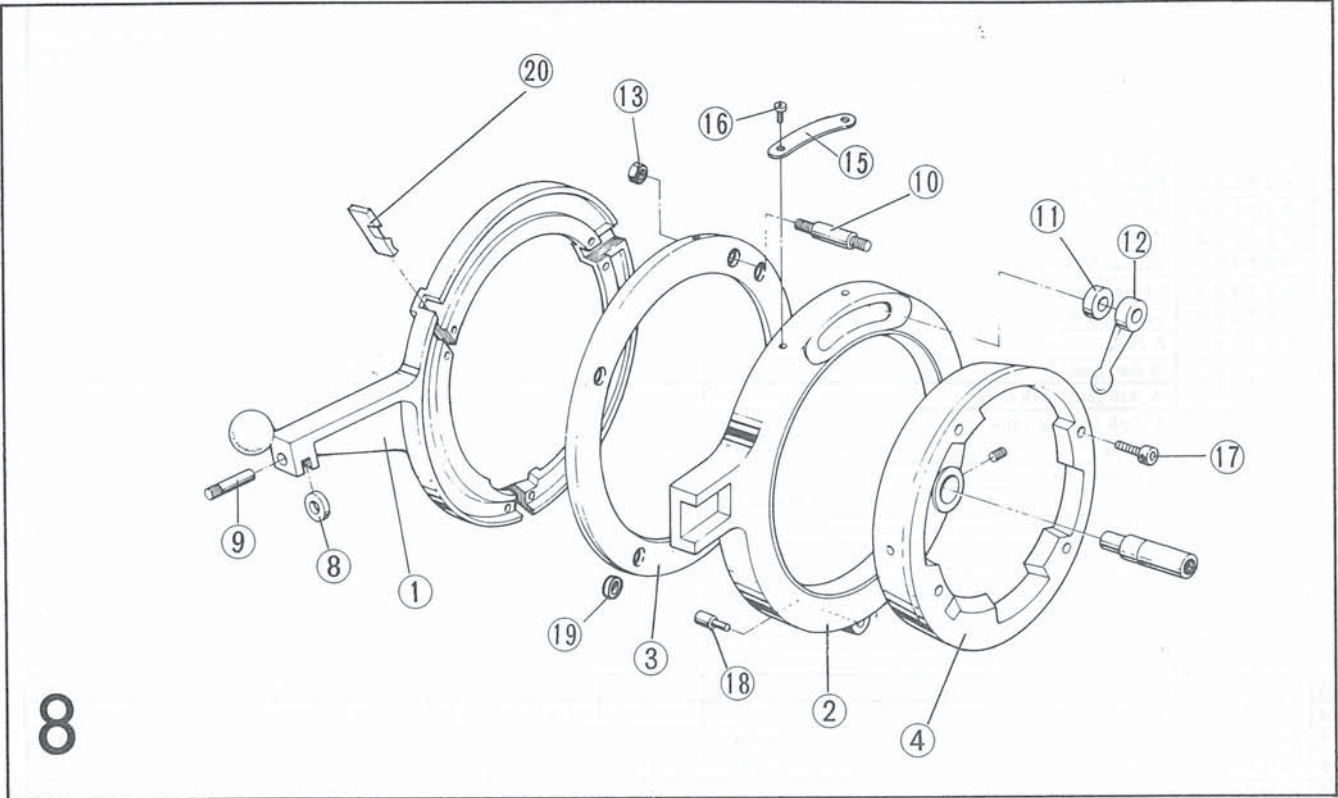
No.	Part No. (Wheeler)	Part Name	Set	Part No. (REX)	
1	6 0 0 6 0 0	Cutter frame	1	E 2 6 1	
2	6 0 7 2 6 4	Cutter handle	1	A 2 6 4	6490,6790
3	6 0 0 6 0 1	Frame block	1	A 3 0 0	
4	6 0 0 1 3 1	Socket head cap screw (M6×16)	1		6490,6790
5	6 0 8 8 4 9	Stop washer (φ8×28×1.8)	1		6490,6790
6	6 0 0 4 4 2	Socket head cap screw (M8×15)	1		6490,6790
7	6 0 0 6 4 1	Blade holder	1	7 9 3 4	6490,6790
8	6 0 0 6 0 2	Blade holder plate	1	7 9 3 5	6490,6790
9	6 0 0 6 0 3	Flat head machine screw (M6×10)	4		6490,6790
10	6 0 3 0 1	Blade (High speed)	1	7 9 3 8	
11	6 0 0 6 0 4	Socket head cap screw (M6×12)	3		6490,6790
12	6 0 0 6 0 5	Feed screw holder	1	7 9 4 3	6490,6790
13	6 0 0 6 0 6	Half nut	1 set	7 9 4 5	6490,6790
14	6 0 0 6 0 7	Nut spring	2	7 9 5 5	6490,6790
15	6 0 0 6 0 8	Cam shaft	1	7 9 4 6	6490,6790
16	6 0 0 6 0 9	Cutter lever	1	J 1 4 4	
17	6 0 0 2 0 7	Roll pin (φ3×18)	1		6490,6790
18	6 0 0 6 1 0	Feed screw holder cover	1	7 9 4 4	6490,6790
19	6 0 0 3 2 9	Round head machine screw (M5×8)	4		6490,6790
20	6 0 0 6 1 1	Feed screw	1	7 9 4 2	6490,6790
21	6 0 0 6 1 2	Feed screw spring	1	7 9 5 4	6490,6790
22	6 0 0 6 1 3	Feed screw cover	1	7 9 5 0	6490,6790
23	6 0 0 6 1 4	Support collar	1	7 9 5 1	6490,6790
24	6 0 0 6 1 5	Blade handle	1	7 9 4 0	6490,6790
25	6 0 0 6 1 6	Hexagon shaft	1	7 9 4 9	6490,6790
26	6 0 0 6 1 7	Snap ring (out side φ24)	1		6490,6790
27	6 0 0 6 1 8	Roll pin (φ6×22)	1		6490,6790
28	6 0 0 1 6 8	Steel ball (φ8)	2		6490,6790
29	6 0 0 6 1 9	Handle spring	2	7 9 5 2	6490,6790
30	6 0 0 1 6 9	Hex-socket set screw (M10×10)	2		6490,6790
31	6 0 0 8 4 2	Handle plate 150	1	E 2 6 8	
32	6 0 0 6 2 1	Rivet (#4×5)	2		6490,6790
33					
34					
35	6 0 0 6 4 7	Truss screw (M5×8)	6		6490,6790
36	6 0 0 2 0 6	Roll pin (φ6×40)	1		6490,6790
37	6 0 0 8 5 3	Cutter support bar A	1	E 2 6 5	
38	6 0 0 6 2 2	Cutter support bar B	1	E 2 6 6	
39	6 0 0 6 2 3	Hex-socket pipe screw (PT ^{3/8})	2		6490,6790
40	6 0 8 8 3 2	Cutter guide	1	E 2 6 2	
41	6 0 8 2 1 5	Cutter notch	1	E 2 1 5	6490,6790
42	6 0 8 2 1 6	Notch holder	1	E 2 1 6	6490,6790
43	6 0 0 6 2 4	Hex-socket pipe screw (M8×10)	1		6490,6790
44	6 0 8 2 1 7	Notch knob ass'y	1	E 2 1 7	6490,6790
45	6 0 0 6 2 5	Roll pin (φ3×35)	1		6490,6790
46	6 0 0 4 5 1	Notch spring	1		6490,6790
47	6 0 5 0 7 4	Roller B	4	5 0 7 4	6490,6790
48	6 0 8 2 2 5	Roll pin B	4	7 9 3 2	6490,6790
49	6 0 8 8 3 3	Cutter arm	1	E 2 6 3	
50	6 0 8 6 2 7	Roll pin (φ8×20)	1		6490,6790
51	6 0 0 6 2 8	Cutter arm stop pin	1	E 8 4 5	
52					
53					
54	6 0 0 6 2 9	Joint	1	A 2 9 8	
55	6 0 0 6 3 0	Oil tube	1		6490,6790
56	6 0 0 6 3 1	Roll pin (φ3×10)	1		6490,6790
57	6 0 0 6 3 2	Hex-socket pipe screw (PT ^{1/8})	1		
58					
59					
60	6 0 0 2 7 9	Complete Blade Cutter (without Blade)			
61					
62					
63					
64					
65					
66					
67					
68					
69					
70					
71					
72					
73					
74					

WHEELER/REX 6590 (150A) (Gear case)



No.	Part No. (Wheeler)	Part Name	Set	Part No. (REX)	
1	6 0 7 3 0 1	Gear case	1	A 3 0 1	6490
2	6 0 0 9 0 6	Condenser motor 120V 750W	1	A 5 7 4	
3	6 0 0 9 0 7	Motor gear	1	A 3 4 4	
4	6 0 0 2 2 9	Key	1		6490
5	6 0 0 9 0 8	Gear pump (normal)	1	A 5 5 1	
6	6 0 7 3 3 3	Upper cover	1	A 3 3 3	6490
7	6 0 7 1 9 3	Oil seal (AC42559)	1	A 1 9 3	6490
8	6 0 7 3 0 2	Front cover	1	A 3 0 2	6490
9	6 0 7 3 0 4	Change lever shaft	1	A 3 0 4	6490
10	6 0 7 3 0 5	Change lever	1	A 3 0 5	6490
11	6 0 7 3 0 6	Gear shift fork	1	A 3 0 6	6490
12	6 0 7 3 1 5	A shaft	1	A 3 1 5	6490
13	6 0 8 3 1 5	A shaft gear 1	1	E 3 3 1	Old #608311 (E344) *E331 + E332 / per set
14		A shaft gear 2 with collar	1	E 3 3 2	Old #607316 (A316) *E331 + E332 / per set 6490
15	6 0 7 3 1 7	A shaft bearing collar	1	A 3 1 7	6490
16	6 0 1 3 0 1	Bearing (#6003)	4	1 3 0 1	6490
17	6 0 7 3 3 2	Iron plate cover	2	A 3 3 2	6490
18	6 0 0 2 3 0	Key (5×5×22)	2		6490
19	6 0 7 3 1 8	B shaft	1	A 3 1 8	6490
20	6 0 8 3 1 2	B shaft gear	1	E 3 1 2	
21	6 0 7 3 1 9	B shaft collar	1	A 3 1 9	6490
22	6 0 7 3 2 0	B shaft stop cover	1	A 3 2 0	6490
23	6 0 0 2 3 1	Key (5×5×13)	1		6490
24	6 0 8 3 2 1	C shaft	1	E 3 2 1	6490
25	6 0 8 3 1 4	C shaft gear 2 with collar	1	E 3 3 4	Old #607322 (A322) *E333 + E334 / per set 6490
26		C shaft gear 1	1	E 3 3 3	Old #608313 (E313) *E333 + E334 / per set
27	6 0 7 1 9 1	Bearing (#6004)	3	A 1 9 1	6490
28	6 0 7 1 9 2	Bearing (#6205)	1	A 1 9 2	6490
29	6 0 7 3 2 3	D shaft	1	A 3 2 3	6490
30	6 0 7 3 0 9	Clutch	1	A 3 0 9	6490
31	6 0 8 3 0 7	Clutch gear L with clutch metal L	1	E 3 0 7	*Clutch metal L: Old #607329 (A329) 6490
32					
33	6 0 8 3 0 8	Clutch gear S with clutch metal S	1	E 3 0 8	*Clutch metal S: Old #607330 (A330) 6490
34					
35	6 0 7 3 1 4	D shaft gear	1	A 3 1 4	6490
36	6 0 7 3 2 4	D shaft collar L	2	A 3 2 4	6490
37	6 0 7 3 2 7	D shaft stop cover	1	A 3 2 7	6490
38	6 0 7 3 2 5	D shaft collar S	1	A 3 2 5	6490
39	6 0 7 3 2 8	D shaft blind cover	1	A 3 2 8	6490
40	6 0 7 3 3 1	Iron plate cover	3	A 3 3 1	6490
41	6 0 0 2 3 2	Key (10×8×50)	1		6490
42	6 0 0 2 3 3	Key (7×7×28)	1		6490
43	6 0 0 2 3 4	Pipe band (10mm)	2		6490
44	6 0 0 2 3 5	Oil intake line suction tube	2		6490
45	6 0 1 0 3 5	Joint	2	1 0 3 5	6490
46	6 0 0 2 3 6	Socket head cap screw (M8×85)	2		6490
47	6 0 0 2 3 7	Socket head cap screw (M8×30)	1		6490
48					
49					
50	6 0 0 1 3 1	Socket head cap screw (M6×16)	7	W 0 6 2	6490
51	6 0 0 1 6 7	Socket head cap screw (M6×25)	4	W 0 6 B	6490
52	6 0 0 2 3 8	Socket head cap screw (M6×40)	2		
53	6 0 0 2 1 0	Hexagon head screw (M6×10)	14		6490
54	6 0 0 2 3 9	Snap ring (#AR33)	2	N 1 2 6	6490
55	6 0 0 2 4 0	Snap ring (#AR40)	2	W X A 6	6490
56	6 0 0 2 4 1	Snap ring (#51015)	1		6490
57	6 0 0 2 4 2	Snap ring (#51025)	1		6490
58	6 0 0 1 6 8	Steel ball (φ8)	1		6490
59	6 0 0 2 4 3	Spring	1		6490
60	6 0 0 2 4 4	Roll pin (φ5×25)	1		6490
61					
62					
63	6 0 0 2 1 9	Hex-socket set screw (M8 × 8)	1		6490
64	6 0 0 2 4 5	Washer (φ8)	3	W 1 8 2	6490
65	6 0 0 1 3 0	Spring washer (φ8)	3	W G 0 8	6490
66	6 0 3 1 1	Starter condensor (350μF)	1	A 5 4 9	Condensor set 6490
	6 0 3 1 2	Drive condensor (30μF)	1		
67	6 0 7 3 3 6	Condensor cover	1	A 3 3 6	6490
68	6 0 0 2 4 6	Speed clamp	1		6490
69	6 0 0 2 4 7	Flat head screw (M5 × 20)	2		
70	6 0 0 2 0 9	Nut (M5)	2		6490,6790
71	6 0 0 2 4 8	Flat washer (φ5)	2	W 1 5 2	6490
72					
73					

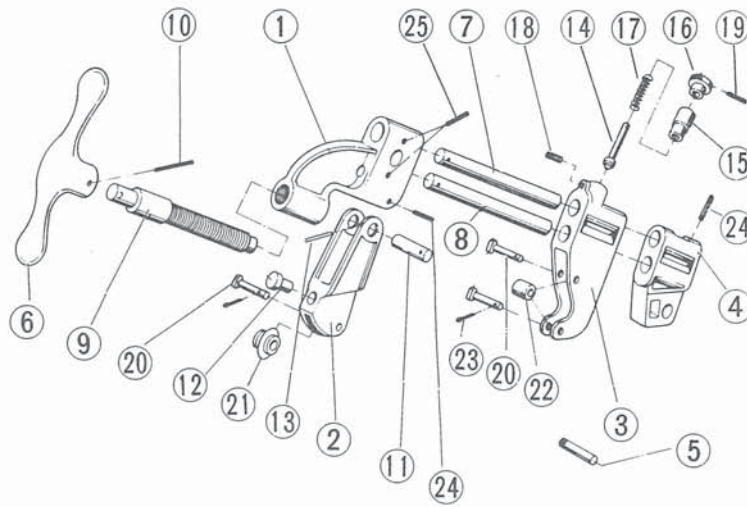
WHEELER/REX 6590 (150A) (Die head)



No.	Part No. (Wheeler)	Part Name	Set	Part No. (REX)	
1	6 0 8 1 5 1	Die head body (5~6)	1	E 1 5 1	
	6 0 7 1 5 5	Die head body (2½~4)	1	A 1 5 5	6490
2	6 0 8 1 5 2	Die head receiver plate (5~6)	1	E 1 5 2	Set A160 Die head post, Hex-socket set screw
	6 0 7 1 5 6	Die head receiver plate (2½~4)	1	A 1 5 6	Set A160 Die head post, Hex-socket set screw 6490
3	6 0 8 1 5 3	Cam plate (5~6)	1	E 1 5 3	
	6 0 7 1 5 7	Cam plate (2½~4)	1	A 1 5 7	6490
4	6 0 8 1 5 4	Retaining ring (5~6)	1	E 1 5 4	
	6 0 7 1 5 8	Retaining ring (2½~4)	1	A 1 5 8	6490
5					
6					
7					
8	6 0 5 0 5 3	Die head roll	2	5 0 5 3	6490
9	6 0 3 4 1 2	Die head roll pin	2	3 4 1 2	6490, 6790
10	6 0 7 1 6 3	Cam plate fixed bolt	2	A 1 6 4	6490
11	6 0 7 1 6 6	Cam plate fixed bolt washer	2	A 1 6 6	6490
12	6 0 0 9 0 9	Lever nut	2	A 7 0 5	
13	6 0 0 2 2 0	Hexagon nut	(M12) 2		6490
14					
15	6 0 7 1 7 0	Die head size plate (5~6)	1	A 3 5 3	
	6 0 7 1 7 6	Die head size plate (2½~4)	1	A 3 5 2	
16	6 0 0 2 2 1	Truss screw	(M4×6) 4		6490
17	6 0 0 2 2 2	Socket head cap screw	(M6×35) 8		6490
18	6 0 7 1 6 1	Die head position pin	2	A 1 6 1	6490
19	6 0 0 9 0 5	Dies notch	8	G 8 6 5	
20	6 0 2 0 7	Dies (5~6)	1 set	X 0 5 2	
	6 0 2 0 8	Dies (2½~4)	1 set	X 0 5 1	
21					
22					
23	6 0 1 0 9	Complete die head (5~6)		0 2 A 6	
24	6 0 1 0 8	Complete die head (2½~4)		0 2 A 5	
25					
26					
27					
28					
29					
30					
31					
32					
33					
34					
35					
36					
37					
38					

WHEELER/REX 6590 (150A) (Wheel type cutter, Profiling)

Wheel type cutter



9

No.	Part No. (Wheeler)	Part Name	Set	Part No. (REX)
Wheel type cutter (600275 Complete set)				
1	608201	Cutter frame	1	E211
2	608202	Cutter guide A	1	E202
3	608203	Cutter guide B	1	E223
4	608204	Cutter arm	1	E224
5	607209	Stop pin for cutter arm	1	
6	608205	Cutter handle	1	E205
7	608206	Cutter support bar A	1	E221
8	608207	Cutter support bar B	1	E222
9	608208	Feed screw	1	E212
10	600253	Roll pin (φ6×36)	1	
11	608209	Guide A pin	1	E209
12	608210	Guide stop pin A	1	E210
13	600157	Roll pin (φ4×32)	1	
14	608215	Cutter notch	1	E215
15	608216	Notch holder	1	E216
16	608217	Notch knob	1	E217
17	600451	Spring	1	
18	600197	Hex-socket set screw (M8×10)	1	
19	600255	Roll pin (φ3×35)	1	
20	600670	Cutter pin L	3	E225
21	60308B	Cutter wheel	1	E356
22	605074	Cutter roller	2	5074
23	600171	Spring cotter (#2.3×15)	3	
24	600256	Roll pin (φ6×20)	3	
25	600175	Roll pin (φ6×32)	2	
26				
27				
28				
29				
30				
31				
32				
33				
34				
35				
36				
37				
38				
39				
40				
41				
42				
43				
44				
45				



WHEELER MANUFACTURING

Div. of REX International U.S.A., Inc.:

P.O.Box 688 · 3744 Jefferson Road · Ashtabula, Oh 44005

Ph:440 - 998 - 2788 · Fax.: 440 - 992 - 2925

Toll Free: 1 - 800 - 321 - 7950

Web Site: www.wheelerrex.com

Manufacturer:

REX

www.rexind.co.jp

REX INDUSTRIES CO., LTD.

4A420-W4
6590(150A)
1801D 0050