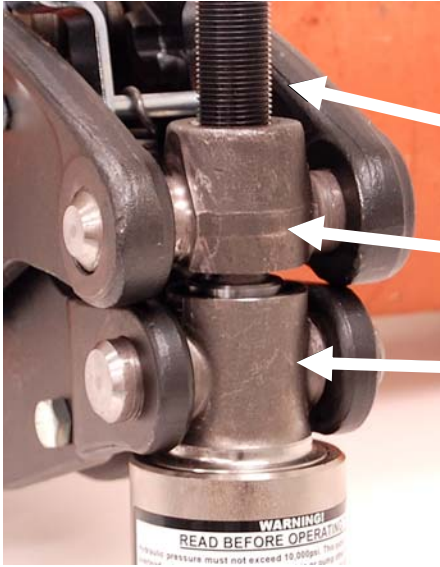


# 5590 Hydraulic Pipe Cutter

## Operation and Maintenance



1. Turn adjusting screw until outer collar is at its **lowest** limit of travel. Do this for **EACH** cut.

Adjusting Screw

Upper Trunnion

Lower Trunnion



2. Slide chain under pipe at location of cut.



3. Using hand ring, pull chain over pipe and under tie bolt, then up between jaws as tightly as possible. Allow chain to relax so nearest pin is engaged in slots under upper nose jaw. Chain then can be folded over on itself.

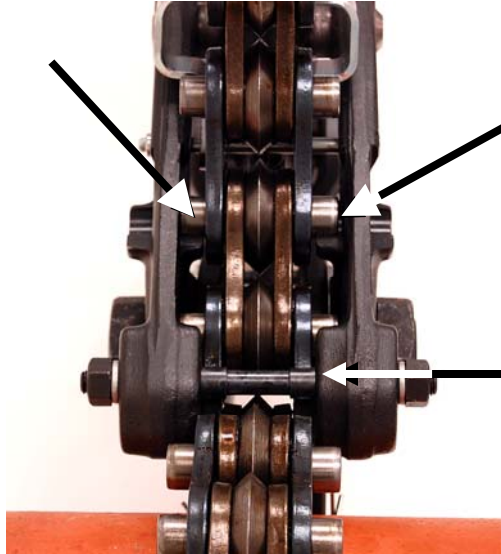
**Be sure pins are actually seated in their respective slots before applying any pressure.**

# 5590 Hydraulic Pipe Cutter

## Operation and Maintenance

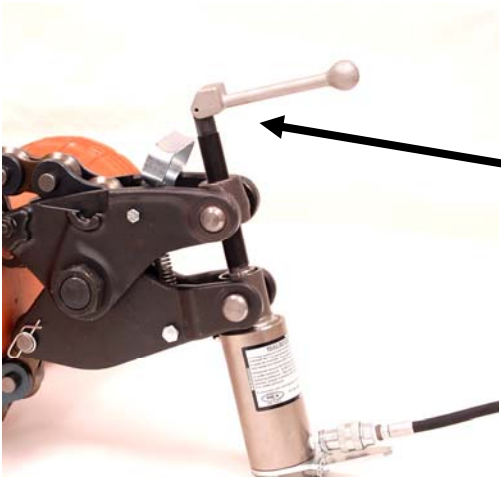


4. Front pin location (Nose Jaw)



5. Rear pin location (Inner wall nest, both sides)

Tie Bolt



6. Take up remaining slack with adjusting screw.

# 5590 Hydraulic Pipe Cutter

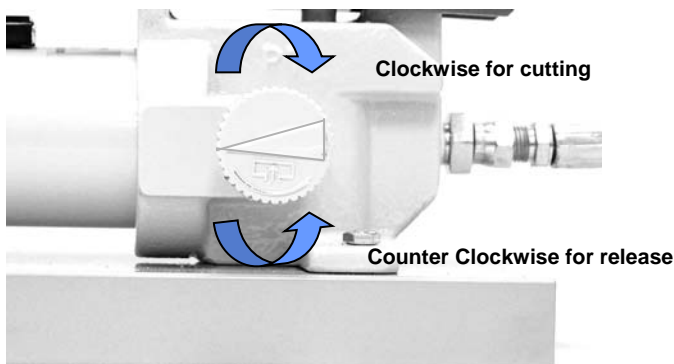
## Operation and Maintenance



7. Cutter wheels should touch pipe.



8. Attach hydraulic pump to cylinder. Remove dust cover from coupling, insert hydraulic hose end and turn threaded coupling sleeve until tight by hand.



8. Turn valve clockwise on the pump until it is **HAND TIGHT**. **DO NOT USE A WRENCH**. Make strokes necessary to snap pipe. Release valve after cut to retract piston.

# WARNING NOTES

## WHEELER-REX HYDRAULIC CUTTERS

Before operating this product, read the operating instructions and be sure you understand this product's purpose, use, capability and limitations. Used within its capability for its intended purpose and with proper preventative maintenance, this product will give long reliable service.

**Failure to read and follow operating instructions and these warning notes can result in serious injury to operator and/or bystanders.**

1. Do **NOT** allow anyone other than a qualified operator to operate this product.
2. After engaging the chain and tightening the adjusting screw, check to be sure that the chain pins are fully seated in the pin grooves in the jaw.
3. Take the pump directly back from the ram perpendicular to the pipe being cut, with the hydraulic hose extended to its full **10 foot length**.
4. **Place the protective plastic sheet, supplied with the tool, over the work. The adjusting screw handle for the ram will fit through the hole in the plastic sheet.**
5. Before applying any hydraulic pressure, check to be sure that, excepting the operator:
  - a. No one is near or in line with either end of the pipe
  - b. No one is within 25 feet of the tool
6. The operator should be wearing proper safety items - hard hat and safety glasses
7. Each Wheeler-Rex pump has a built-in pressure overload valve set to factory specifications in accordance with the rated capacity of the tool. This valve is a safety feature intended to prevent the build up of hydraulic pressures above factory specifications.  
**DO NOT TAMPER WITH THIS VALVE FOR ANY REASON!!**
8. Be sure there is a cutting wheel on every pin. Any pin not supported by a cutting wheel may be damaged when hydraulic pressure is applied. Do not allow wheels in upper or lower jaws to cross or contact each other.
9. If the pipe has not been cut by the time the overload valve starts to bypass excess pressure **STOP PUMPING AND RELEASE PRESSURE, NEVER APPROACH THE WORK WHILE THERE IS HYDRAULIC PRESSURE IN THE SYSTEM.**  
**Remove the tool from the work, and do the following:**
  - a. Recheck the type, size and class of pipe being cut to be sure it is within the rated capacity of the tool.
  - b. Reinstall the tool following the instructions and safety precautions.
  - c. Repressurize the system.
  - d. If the pipe is still not cut by the time the overload valve starts to bypass, release pressure, remove the tool and place it with an authorized service center to be checked and, if necessary, adjusted or repaired.

**DO NOT ATTEMPT TO ADJUST OR REPAIR THIS TOOL IN THE FIELD. SEE ENCLOSED LIST OF AUTHORIZED SERVICE CENTERS**



Wheeler-Rex \* 3744 Jefferson Road \* Ashtabula, OH 44004  
Tel: 800-321-7950 \* Fax: 440-992-2925 \* [www.wheelerrex.com](http://www.wheelerrex.com)



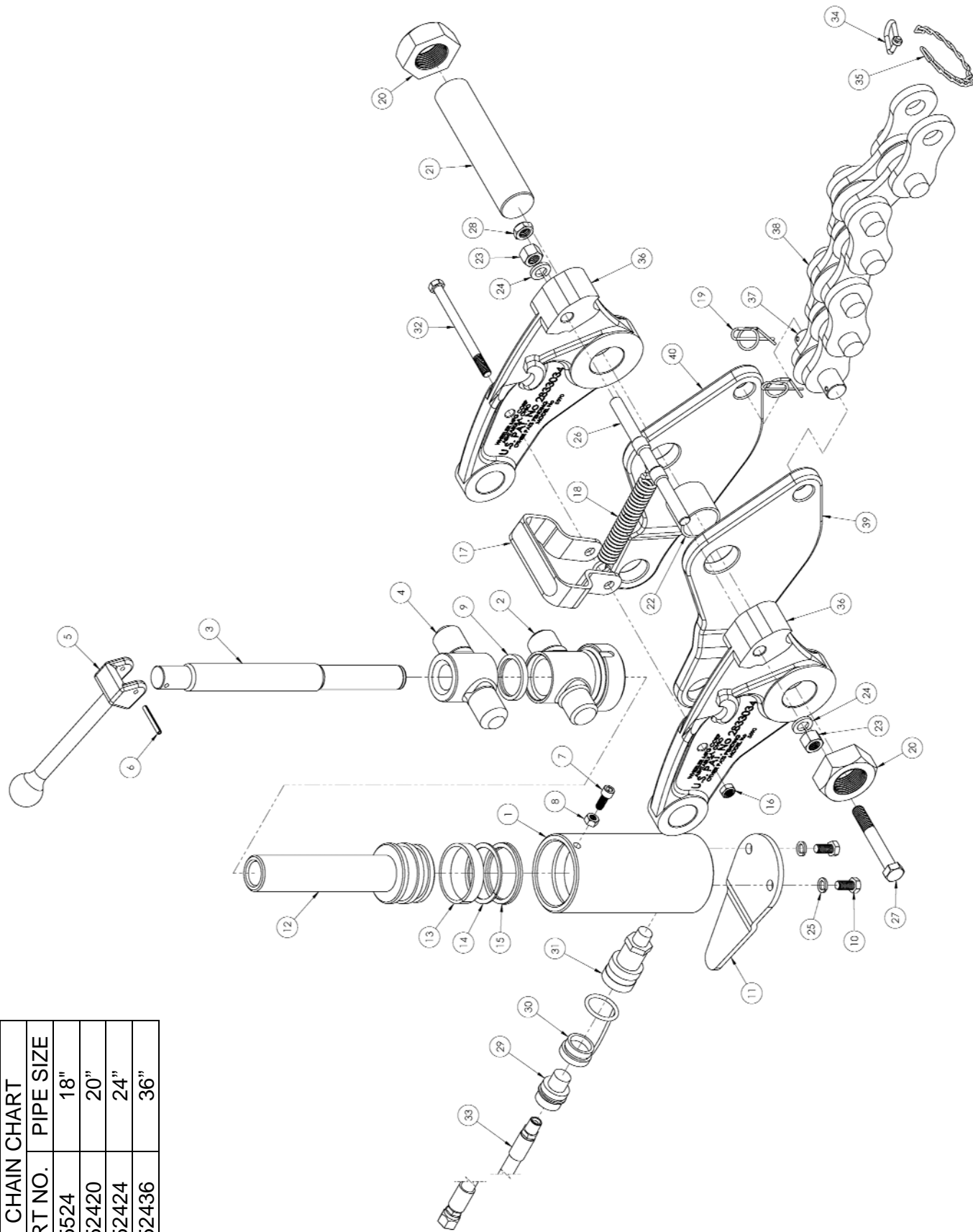
# Hydraulic Pipe Cutters

- When cutting in a line, remove excess mud, scale and rust from surface of pipe where chain wheels will make contact. This will allow wheels to contact solid pipe for maximum penetration. An excellent tool for this is the Wheeler-Rex Pipe Scraper Model 1300 or Model 1350.
- Keep the upper jaw tie bolt tightened at all times! Operation of the cutter with this bolt loose can result in serious damage.
- Do not use brake fluid in the hydraulic system under any circumstance! It will irreparably damage the packings.
- The pump oil tank should be kept at least 3/4 full.
- Repairs to the hydraulic system should be made only by qualified personnel in accordance with factory specifications.
- Transportation charges must be prepaid on all units sent to service stations or to the factory for repair. If factory defect is disclosed, the repaired unit will be returned to you prepaid.
- Manufacturers liability and warranties are voided if anything other than factory authorized parts are used.
- We suggest once you have established which chain pin must be engaged for a specific pipe size, that you clearly mark this pin for easy recognition (a dab of paint will work). This will facilitate quick, sure, efficient operation for all cuts of the same pipe size.
- We recommend pumping the piston all the way to the top of its stroke after each use. This will lubricate the cylinder and remove any water that has entered the cylinder. This is especially after the unit has been in used water or under extremely dirty conditions. Release pressure so that the piston returns to a completely closed position. If necessary, apply hand pressure to return the piston back to its closed position.

## **CAUTION !!!**

**Avoid standing close to either end of the pipe!  
The great amount of pressure exerted by the cutter may  
cause the cut sections to pop-off in opposite directions!**

| CHAIN CHART |           |
|-------------|-----------|
| PART NO.    | PIPE SIZE |
| 5524        | 18"       |
| 552420      | 20"       |
| 552424      | 24"       |
| 552436      | 36"       |



**5590 HYDRAULIC PIPE CUTTER**

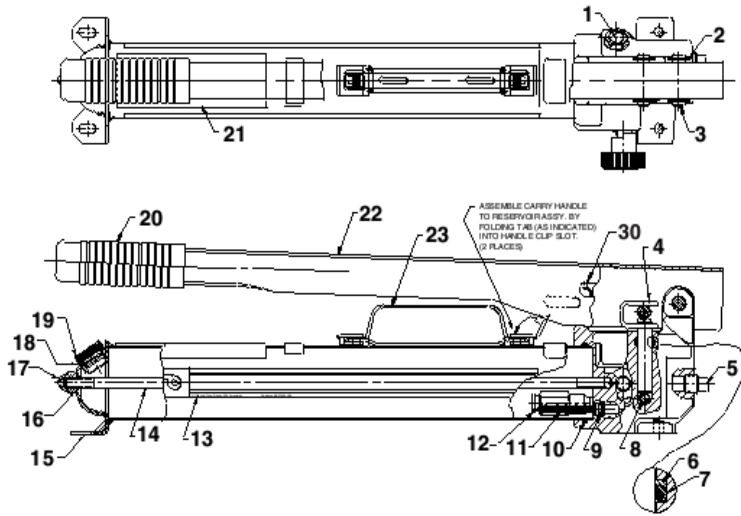
| <b>Item</b> | <b>Part No</b> | <b>Description</b>          | <b>Qty</b> |
|-------------|----------------|-----------------------------|------------|
| 1           | 5532           | CYLINDER                    | 1          |
| 2           | 3842           | TRUNION MACHINED            | 1          |
| 3           | 3848           | PISTON ROD                  | 1          |
| 4           | 3841           | UPPER TRUNION               | 1          |
| 5           | 3855           | HANDLE (MACHINING)          | 1          |
| 6           | 275862         | 3/16" DIA x 1 1/2" ROLL PIN | 1          |
| 7           | 3537           | 5/16"-18 x 3/4" SHCS        | 1          |
| 8           | 126            | 5/16"- 18 HEX NUT           | 1          |
| 9           | 3883           | RING-PISTON WIPER           | 1          |
| 10          | 5507           | 3/8"-16 x 3/4" HHCS         | 2          |
| 11          | 5508           | KICK PLATE                  | 1          |
| 12          | 220728         | PISTON                      | 1          |
| 13          | 275772         | BEARING RING                | 1          |
| 14          | 275771         | BACKUP RING                 | 1          |
| 15          | 275770         | SEAL                        | 1          |
| 16          | 105            | 3/8"-16 ESNA NUT            | 1          |
| 17          | 3851           | HANDLE                      | 1          |
| 18          | 3878           | RETURN SPRING               | 1          |
| 19          | 3908           | HAIR PIN CLIP               | 2          |
| 20          | 3893           | JAW PIVOT NUT 1 1/2"- 12    | 2          |
| 21          | 5592           | JAW PIVOT                   | 1          |
| 22          | 5584           | JAW SPACER                  | 1          |
| 23          | 3866           | 1/2"-13 HEX NUT             | 2          |
| 24          | 3879           | 1/2" SPLIT LOCK WASHER      | 2          |
| 25          | 7179           | 3/8" SPLIT LOCK WASHER      | 2          |
| 26          | 223071         | TIE ROD                     | 1          |
| 27          | 5527           | 1/2-13 x 3 1/2" LONG HHCS   | 1          |
| 28          | 3828           | 1/2"-13 ESNA NUT            | 1          |
| 29          | 5710           | COUPLER, HOSE HALF          | 1          |
| 30          | 5705           | DUST CAP                    | 1          |
| 31          | 5750           | COUPLER-RAM HALF            | 1          |
| 32          | 5595           | SPRING BOLT                 | 1          |
| 33          | 3918           | HOSE                        | 1          |
| 34          | 5418           | COLD SHUT                   | 1          |
| 35          | 5408           | CHAIN HANDLE                | 1          |
| 36          | 5510           | UPPER JAW                   | 2          |
| 37          | 5605           | CHAIN TO JAW PIN            | 1          |
| 38          | SEE CHART      | CHAIN                       | 1          |
| 39          | 5521           | LOWER LEFT JAW              | 1          |
| 40          | 5520           | LOWER RIGHT JAW             | 1          |

# Hydraulic Hand Pump

## Wheeler-Rex Pump Model Numbers:

Model 1930 for 5590 10,000psi  
 Model 1830 for 3890 5,700psi  
 Model 1630 for 2990 9,000psi

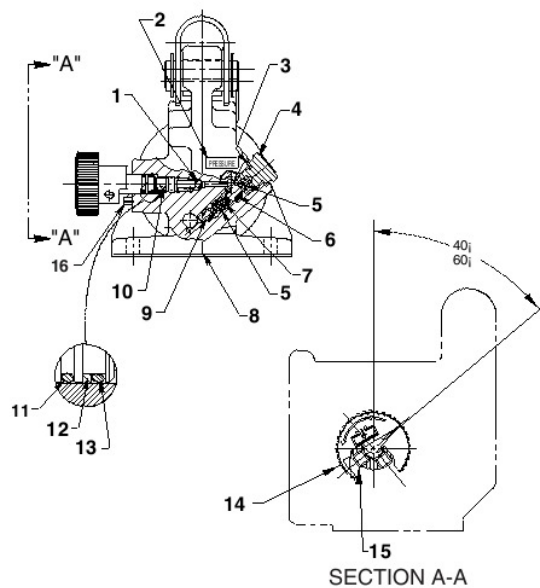
## HYDRAULIC HAND PUMP



## Hydraulic Hand Pump PFF-WMC

| Item | Description                 | Wheeler #   | Spx #           | Qty |
|------|-----------------------------|-------------|-----------------|-----|
| 1    | Decal                       | 276182      | 215907          | 1   |
| 2    | Retaining Ring              | 275795      | 211743          | 4   |
| 3    | Pin                         | 275583      | 211742          | 2   |
| 4    | Piston Assembly             | 220843      | 211468          | 1   |
| 5    | Pressure Plug               | 277074      | 11127           | 1   |
| *6   | Backup Washer               | 276154      | 213987          | 1   |
| *7   | O-Ring viton                | 276155      | 11445           | 1   |
| 8    | Steel Ball                  | 276157      | 10378           | 1   |
| *9   | O-Ring viton                | 276171      | 18973           | 1   |
| *10  | O-Ring viton                | 276174      | 213209          | 1   |
| 11   | Filter Plug                 | 276172      | 215075          | 1   |
| 12   | <b>Relief Valve (Red)</b>   | <b>1857</b> | <b>21278-52</b> | 1   |
|      | <b>Relief Valve (Blue)</b>  | <b>1657</b> | <b>21278-86</b> | 1   |
|      | <b>Relief Valve (Black)</b> | <b>1957</b> | <b>21278-80</b> | 1   |
| 14   | Tie Rod                     | 276178      | 252502          | 1   |
| 15   | Reservoir Assembly          | 276176      | 351367          | 1   |
| *16  | Viton O-Ring                | 277075      | 11439           | 1   |
| 17   | Acorn Nut                   | 277076      | 10842           | 1   |
| 18   | Viton O-Ring                | 277077      | 253597          | 1   |
| 19   | Filler Cap                  | 277078      | 351245          | 1   |
| 20   | Handle Grip                 | 580         | 580             | 1   |
| 22   | Handle (Blue)               | 276149      | 64117BL2        | 1   |
|      | Handle (Red)                | 276151      | 64117RE3        | 1   |
|      | Handle (Black)              | 276150      | 64117BK2        | 1   |
| 23   | Carry Handle                |             | 58048           | 1   |
| 25   | Hydraulic Hose              | 3918        |                 | 1   |

## END VIEW AND SECTION A-A



## End View Parts

| Item | Description         | Wheeler # | Spx #  | Qty    |
|------|---------------------|-----------|--------|--------|
| 1    | Ball                | 203197    | 12223  | 1      |
| 2    | Decal               | N/A       |        | 1      |
| 3    | Copper Washer       | 276162    | 14874  | 1      |
| 4    | Valve Screw         | 277079    | 351952 | 1      |
| 5    | Compression Spring  | 276163    | 10444  | 2      |
| 6    | Steel Ball          | 276157    | 10378  | 1      |
| 7    | Compression Spring  | 276165    | 211797 | 1      |
| 8    | Pump Body           | 276167    | 61295  | 1      |
| 9    | Steel Ball          | 276166    | 10375  | 1      |
| 10   | Release Valve Screw | 275585    | 350185 | 1      |
| 11   | O-Ring              |           | 14763  | 1      |
| *12  | Backup Washer       | 276161    | 15085  | 1      |
| *13  | Viton O-Ring        | 276160    | 18974  | 1      |
| 14   | Release Valve Knob  | 277080    | 351087 | 1      |
| 15   | Set Screw           | 276165    | 10556  | 1 or 2 |
| 16   | Slotted Spring Pin  | 277081    | 10714  | 1      |

\* Included in 1856 Repair Kit