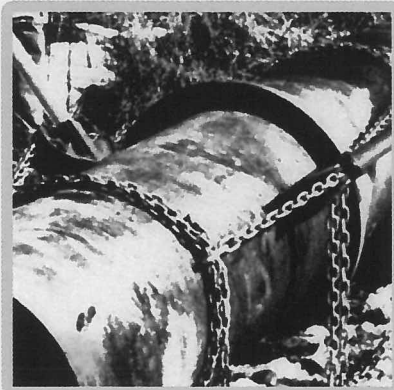


WHEELER-REX PROFESSIONAL TOOLS

PIPE PULLER MODEL 4012

For all types of Gasketed Pipe · Plastic · Clay · Concrete Fittings and Valves

- Powerful leverage...no damage to pipe
- Pulls fittings, valves, and couplings into position with ease
- Positive chain centering...low pulling angle
- Rotates pipe, couplings, or fittings
- Bend-resistant handle
- Lightweight...easily handled and transported
- Rugged...practically indestructible



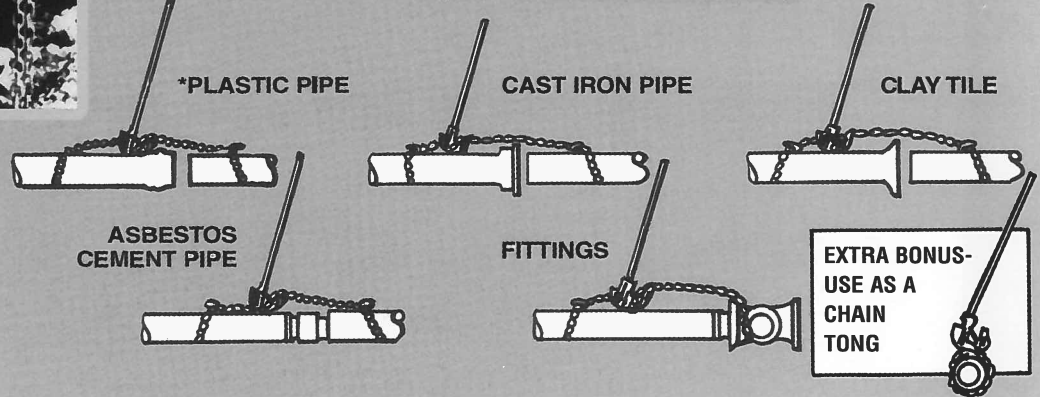
The 4012 Pipe Puller provides the answer to pulling heavy pipe and fittings into position easily.

Chain length can be varied to suit specific pipe sizes and types of fittings. It is furnished with two 12-foot lengths of chain for pulling pipe and fittings up to 20 inches in diameter.

One man with one puller can normally handle up to 14" pipe.

Two men and two pullers may be required for larger sizes, depending on conditions.

#4012 PIPE PULLER QUICKLY AND ACCURATELY JOINS...



How to Use...

Wrap anchor chain around pipe two or three feet behind the coupling, fastening it tightly with a grab hook. Lay balance of chain along top of pipe toward coupling. Place pipe puller in vertical position over anchor chain and pull free and upward, dropping it into the slot.

Wrap the pulling chain around the pipe to be pulled, three to four feet ahead of the coupling. Fasten securely with the grab hook. Place the pulling chain in the slot on top of the anchor chain with the puller handle held in at a slightly forward slant. Both chains should be taut in this position.

**When pulling plastic pipe, double wrap the chain to prevent slipping.*



Wheeler Manufacturing, Division of Rex International U.S.A., Inc.

P.O. Box 688, 3744 Jefferson Road, Ashtabula, Ohio 44005

Phone: 440-998-2788 Fax: 440-992-2925 Toll-Free: 1-800-321-7950 www.wheelerrex.com