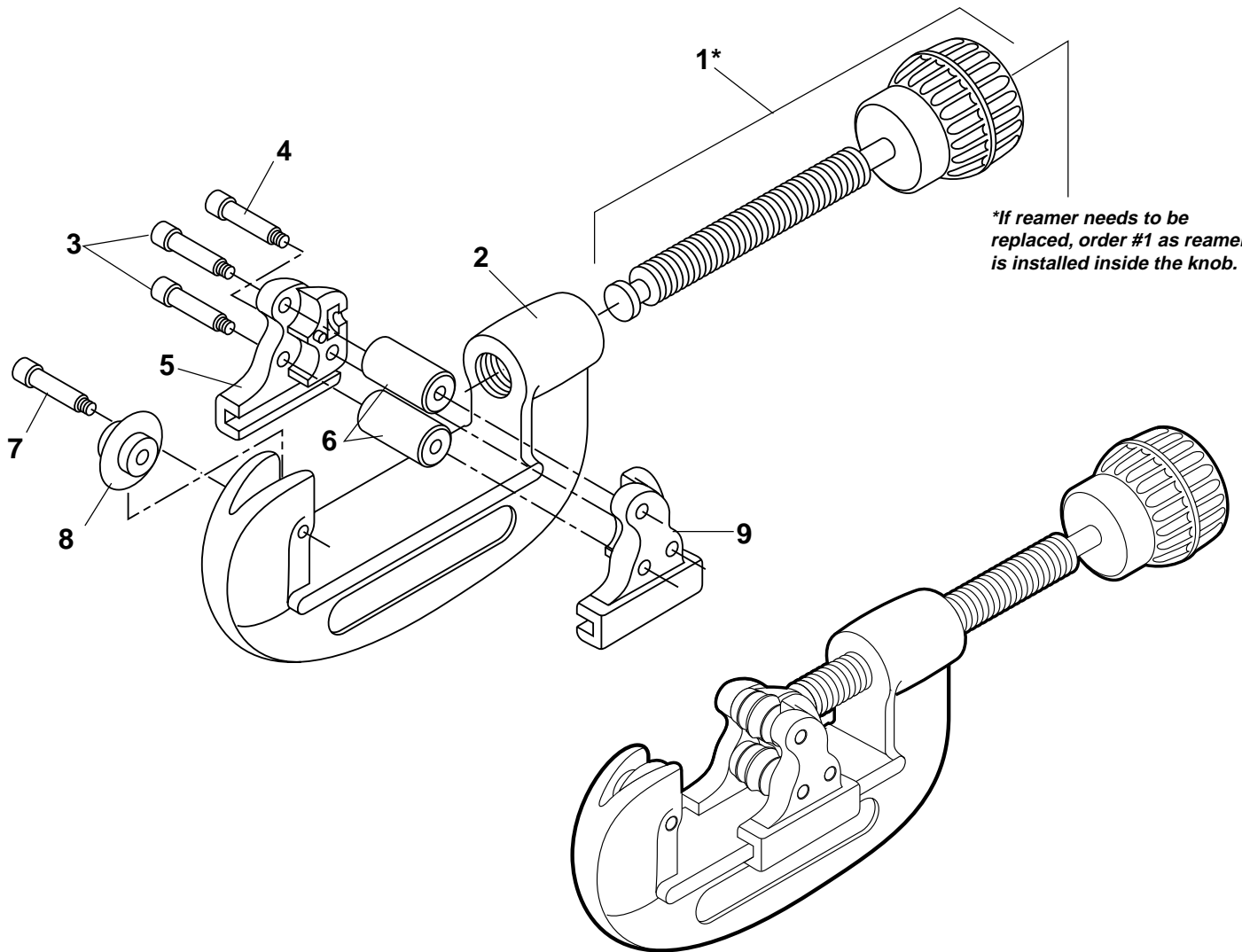


Tubing Cutters (T10, T10SS, T15, T15SS)

Replacement Parts



Parts List

Ref. Number	Description	T10 #03483 Item Code	T10SS #03476 Item Code	T15 #03485 Item Code	T15SS #03477 Item Code	Quantity
1	Knob and Screw Assembly	40314	40314	40297	40297	1
2	Body	93025	93025	93031	93040	1
3	Block Pin	40072	40072	40073	40073	2
4	Block Screw	30026	30026	40073	40073	1
5	Right Block	93028	93028	93033	93033	1
6	Roller	40075	40075	40075	40075	2
7	Wheel Screw	93428	93428	93428	93428	1
8	Cutter Wheel	03660	03655	03660	03655	1
9	Left Block	93027	93027	93032	93032	1