

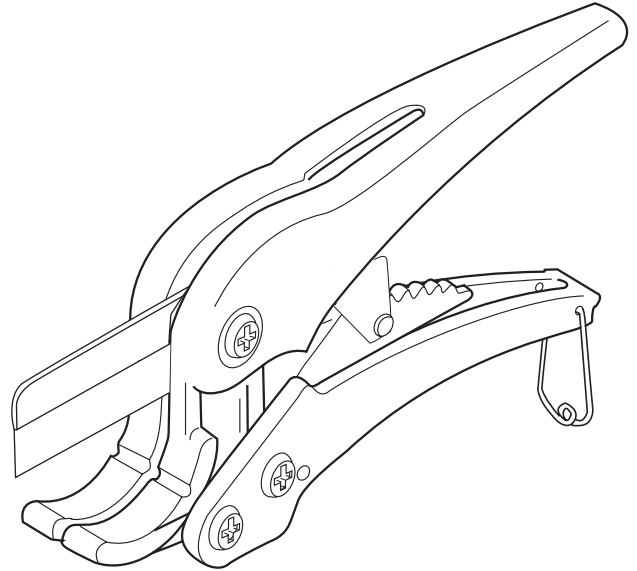
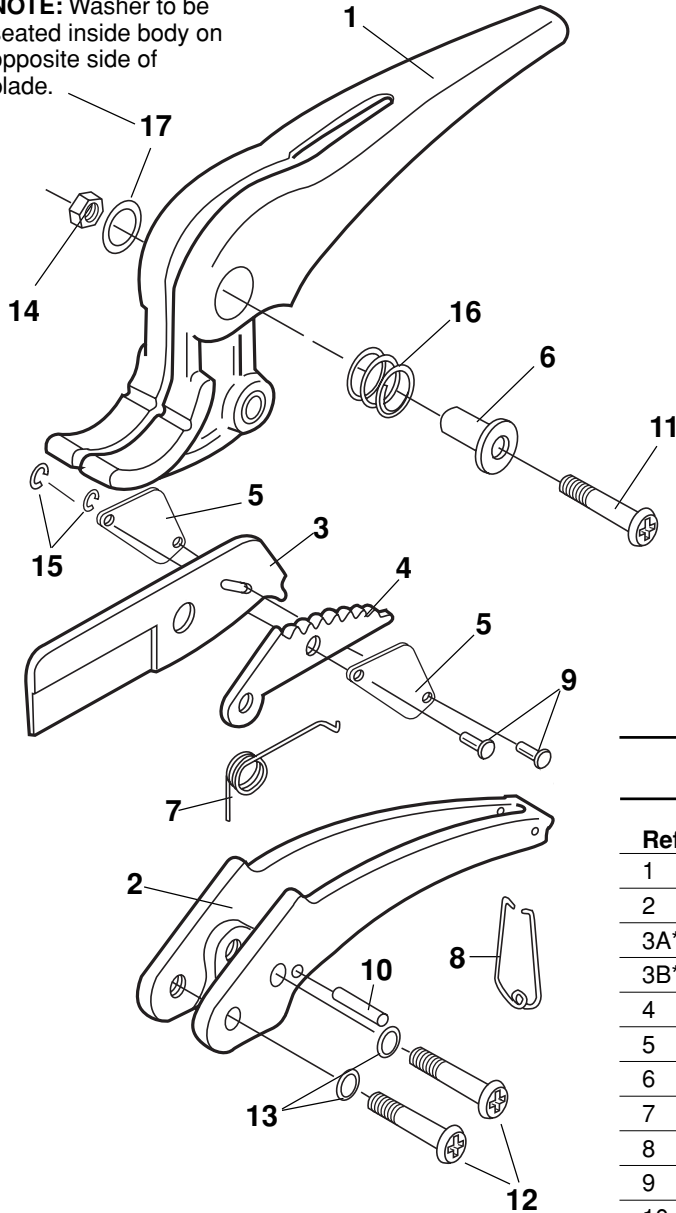


PIPE TOOLS & VISES
SINCE 1896

Ratchet Shears (RS1 & RS1PLT)

Replacement Parts

NOTE: Washer to be seated inside body on opposite side of blade.



Parts List

Ref No.	Description	Item Code	Qty. Used
1	Body	94048	1
2	Handle	94049	1
3A*	RS1B Blade Replacement Kit	94175	1
3B*	RS1BPLT Blade Replacement Kit	94180	1
4	Ratchet	94051	1
5	Link	94078	2
6	Bushing	40146	1
7	Torsion Spring	40142	1
8	Bail	40143	1
9	Link Pin	40144	2
10	Roller Pin	40068	1
11	Cap Screw	30042	1
12	Cap Screw	94045	2
13	Star Washer	30086	2
14	Lock Nut	30088	1
15	Retaining Ring	30089	2
16	Compression Spring	40141	1
17	Alignment Washer	43704	1

* Blade Replacement Kits consist of: Blade, 2 Links, 2 Link Pins, and 2 Retaining Rings.

Reed Manufacturing Company
1425 West 8th Street
Erie, PA 16502 USA

QUALITY
&Service
that Last a Lifetime

Phone: 800-666-3691 or 814-452-3691
Fax: 800-456-1697 or 814-455-1697
www.reedmfgco.com

RP-209-28